

4K HDMI 1x4 Splitter/Extender over Cat6

MVE-AH1E4-42NQ

Installation Manual



The *ENFORCER* 4K HDMI 1x4 Splitter/Extender over Cat6 extends the range of traditional HDMI cabling methods by using an active transmitter and 4 receivers to send video and audio over Cat6. HDMI formats as large as 4K can be transmitted up to 230ft (70m) between the units with zero signal loss by using integrated circuits in the receivers and transmitter.

- **Signal Strength** – Active operation ensures signal strength remains strong over the entire cable length.
- **Distance** – The 4K HDMI 1x4 Splitter/Extender over Cat6 is capable of providing a clear HDMI signal up to 131ft (40m) at 4K resolution or 230ft (70m) at 1080p resolution.
- **Formats Supported** – The 4K HDMI 1x4 Splitter/Extender over Cat6 supports both progressive and interlaced formats: 4K@30Hz/1080p/1080i/720p/576p/480p/480i.
- **Plug and Play** – The 4K HDMI 1x4 Splitter/Extender over Cat6 comes as a complete set consisting of a transmitter and 4 receivers, power supply, and IR dongles.
- **Zero Signal Loss** – Integrated circuits in the transmitter and receivers clean, buffer, and amplify the HDMI signal to prevent signal loss and ensure a clear signal regardless of the length of the cable.
- **IR** – Send IR signals from the monitors to the source for discrete operation of devices.
- **Loop out** – Supports a local monitor.
- **Power** – One (1) 12VDC power supply included – set powered at transmitter end

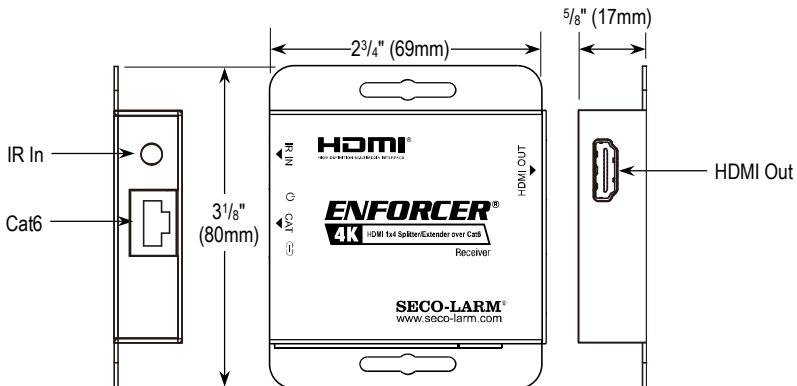
Parts List

1x Transmitter	1x IR Transmitter (with mounting tape)	1x 12VDC Power adapter	2x Mounting ears
4x Receivers	4x IR Receivers (with mounting tape)	8x Mounting screws	1x Manual

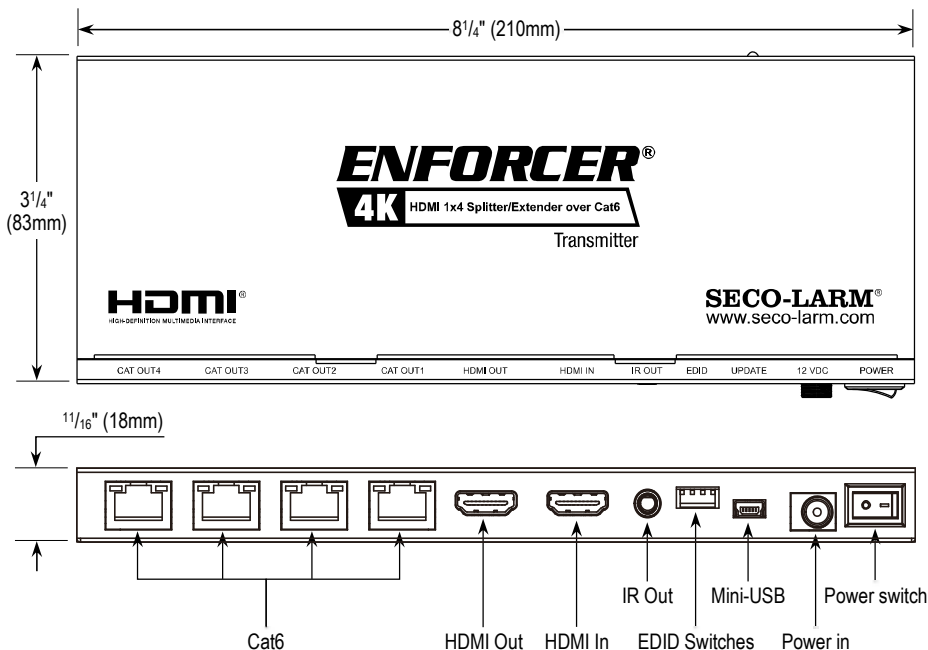
Specifications

Input video signal	3.3V	
Input DDC signal	5Vp-p (TTL)	
Maximum single link range	4K@30Hz	
Video formats supported	HDMI 2.0b, HDCP	
Audio formats supported	LPCM, Dolby Digital, Dolby TrueHD, Dolby Digital Plus, DTS-ES, DTS HD Master, DTS HD-HRA, DTS-X	
Output video	Up to 4K@30Hz/2K@30Hz	
Resolutions supported	4K@30Hz/2K@30Hz/1080p/1080i/720p/576p/576i/480p/480i	
Range	Up to 131' (40m) at 4K@30Hz / Up to 230' (70m) at 1080p	
Video amplifier bandwidth	297MHz / 10.2Gbps	
Video input connector	HDMI Type A 19-pin female	
Video output connector	HDMI Type A 19-pin female	
Cat6 wiring standard	T-568B	
IR Pass-through frequency	30~60 kHz	
Operating voltage	12VDC	
Power supply	2.5A@12VDC (1 Adapter) (2.1mm plug)	
Operating temperature	32°~104° F (0°~40° C)	
Operating humidity	20~90% RH (non-condensing)	
Dimensions	Transmitter	8 1/4" x 1 1/16" x 3 1/4" (210x18x83 mm)
	Receivers	3 1/8" x 5/8" x 2 3/4" (80x17x69 mm)
Weight	Transmitter	15.8-oz (448g)
	Receivers	4.6-oz (130g) (each)

Overview - Receiver



Overview - Transmitter



Installation

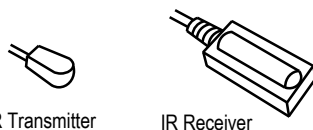
1. Determine the location where the MVE-AH1E4-42NQ units will be installed as well as how much Cat6 cable will be necessary.
2. Connect the transmitter to the HDMI output of the source device.
3. Connect the Cat6 cables to both the receiver and transmitter units.

NOTE: For maximum range use Cat6 cable.

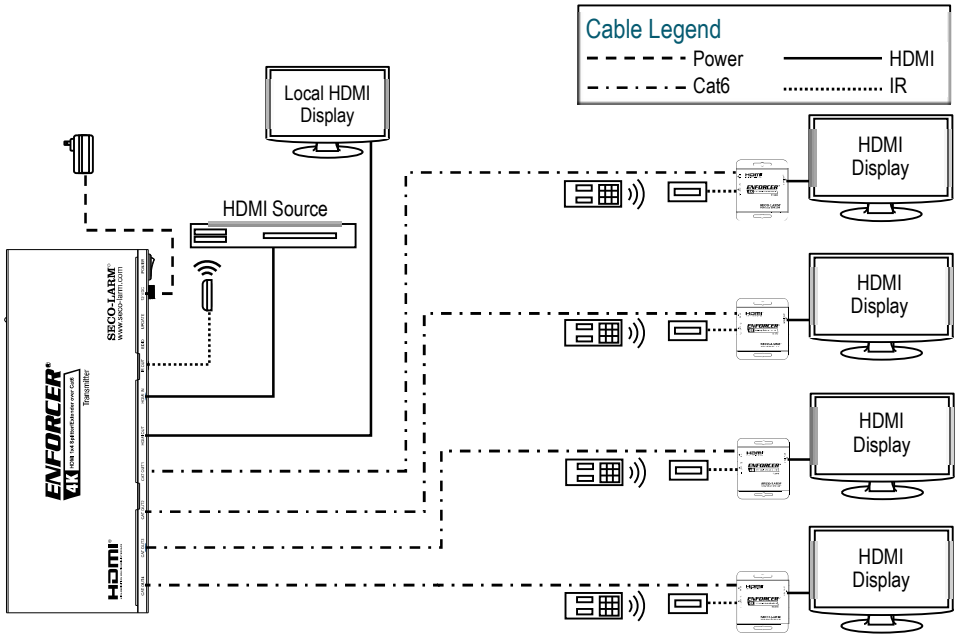
4. Connect the receiver to the HDMI input of the display device.
5. Connect the 12VDC adapter to the transmitter.
6. Determine which device, if any, will be controlled by the remote control. Install the IR transmitter to the IR Out port, pointing the IR transmitter at the device to be controlled. Install the IR receiver to the IR In port of the other device, pointing the IR receiver to where the remote control will be. Point the remote control at the IR receiver when in use.
7. Switch on the HDMI source and display to verify that the system is functioning properly.

IR

The MVE-AH1E4-42NQ supports IR pass-through signals. This allows for remote operation of the source device from the display location. The MVE-AH1E4-42NQ IR Transmitter unit and IR Receiver unit support signals from 30~60 kHz.



Sample Application



Troubleshooting

HDMI device does not function correctly

- Use T-568B wiring standard
- Make sure the extender is powered
- Make sure the source and the display are powered
- Test the Cat6 cable between the receiver and transmitter and make sure it is functional
- Make sure that there are no problems with the HDMI source, HDMI cables, or HDMI display by plugging the source directly into the display using an HDMI cable

Screen flickering or brief image loss

- Use a higher grade of twisted pair category cable (Cat6 is recommended)
- Switch the source device to a lower HDMI output (i.e., 4K@30Hz to 1080p)
- Restart the handshake process by powering everything down then powering up and connecting each device in succession starting with the HDMI source

IMPORTANT: Users and installers of this product are responsible for ensuring this product complies with all national, state, and local laws and statutes related to monitoring and recording audio and video signals. SECO-LARM will not be held responsible for the use of this product in violation of any current laws or statutes.

California Proposition 65 Warning: These products may contain chemicals which are known to the State of California to cause cancer and birth defects or other reproductive harm. For more information, go to www.P65Warnings.ca.gov.

WARRANTY: This SECO-LARM product is warranted against defects in material and workmanship while used in normal service for one (1) year from the date of sale to the original customer. SECO-LARM's obligation is limited to the repair or replacement of any defective part if the unit is returned, transportation prepaid, to SECO-LARM. This Warranty is void if damage is caused by or attributed to acts of God, physical or electrical misuse or abuse, neglect, repair or alteration, improper or abnormal usage, or faulty installation, or if for any other reason SECO-LARM determines that such equipment is not operating properly as a result of causes other than defects in material and workmanship. The sole obligation of SECO-LARM and the purchaser's exclusive remedy, shall be limited to the replacement or repair only, at SECO-LARM's option. In no event shall SECO-LARM be liable for any special, collateral, incidental, or consequential personal or property damage of any kind to the purchaser or anyone else.

NOTICE: The SECO-LARM policy is one of continual development and improvement. For that reason, SECO LARM reserves the right to change specifications without notice. SECO-LARM is also not responsible for misprints. All trademarks are the property of SECO-LARM U.S.A., Inc. or their respective owners. Copyright © 2022 SECO-LARM U.S.A., Inc. All rights reserved.

SECO-LARM® U.S.A., Inc.

16842 Millikan Avenue, Irvine, CA 92606
Phone: (949) 261-2999 | (800) 662-0800

Website: www.seco-larm.com
Email: sales@seco-larm.com

PICHN3

ML_MVE-AH1E4-42NQ_220329.docx