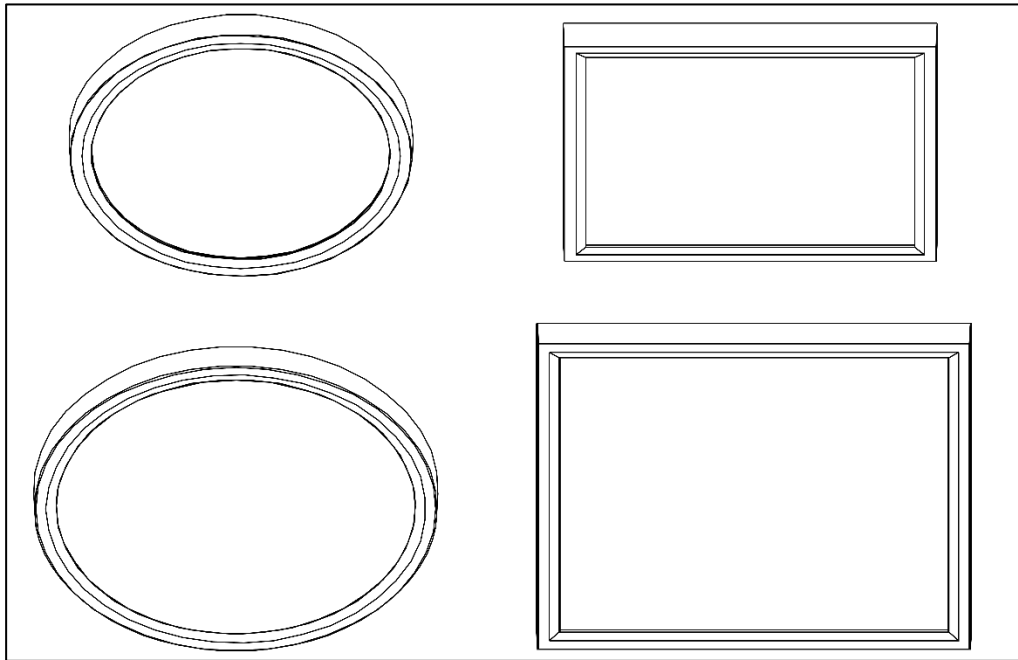


Juno Slimform Downlight LED Flush mount

Installation Instructions



JSF 11IN 13LM SWW5 90CRI 120 FRPC
 JSF 11IN 13LM SWW5 90CRI MVOLT ZT
 JSF 13IN 18LM SWW5 90CRI 120 FRPC
 JSF 13IN 18LM SWW5 90CRI MVOLT ZT

JSFSQ 12IN 13LM SWW5 90CRI 120 FRPC
 JSFSQ 12IN 13LM SWW5 90CRI MVOLT ZT
 JSFSQ 14IN 18LM SWW5 90CRI 120 FRPC
 JSFSQ 14IN 18LM SWW5 90CRI MVOLT ZT

Visit www.acuitybrands.com/brands/lighting/juno to find complementary fixtures and much more.

- Customer Support
- Our Complete Product Catalog
- Product Instruction Sheets
- Energy Saving Tips
- Product Specifications
- Glossary of Lighting Terms



READ AND FOLLOW ALL SAFETY INSTRUCTIONS!

SAVE THESE INSTRUCTIONS AND DELIVER TO OWNER AFTER INSTALLATION

Product Information: Juno Slimform may be used for UL listed junction boxes already installed in application.

Product Contents: Each unit carton contains the following: 1ea LED Juno Slimform light module, 1ea mounting bracket, 3ea wirenuts (P3H), 2ea wirenuts (P1, for MVOLT only), 2ea screws adapter (8#32), 1 screw (12mm), and 1 nut. Check for all contents prior to installation.

Required Tools (not included): Safety glasses, screw driver, ladder, and gloves.

Product Warning: Failure to follow any of these instructions could void product warranties. Changes or modifications to this unit not expressly approved by the party responsible for compliance could void the user's authority to operate the equipment. For a complete listing of product Terms and Conditions, please visit www.acuitybrands.com. Acuity Brands Lighting, Inc. assumes no responsibility for claims arising out of improper or careless installation or handling of its products.

LED IMPORTANT SAFETY INSTRUCTIONS

- To reduce the risk of death, personal injury, or property damage from fire, electric shock, falling parts, cuts/abrasions, and other hazards please read all warnings and instructions included with and on the fixture box and all fixture labels.
- Before installing, servicing, or performing routine maintenance upon this equipment, follow these general precautions.
- Installation and service of luminaires should be performed by a **qualified licensed electrician**.
- Maintenance of the luminaires should be performed by person(s) familiar with the luminaires' construction and operation and any hazards involved. Regular fixture maintenance programs are recommended.
- It will occasionally be necessary to clean the outside of the refractor/lens/trim. Frequency of cleaning will depend on ambient dirt level and minimum light output which is acceptable to user. Refractor/lens/trim should be washed in a solution of warm water and any mild, non-abrasive household detergent, rinsed with clean water and wiped dry. Should optical assembly become dirty on the inside, wipe refractor/lens and clean in above manner, replacing damaged gaskets as necessary.
- **DO NOT INSTALL DAMAGED PRODUCT!** This luminaire has been properly packed so that no parts should have been damaged during transit. Inspect to confirm. Any part damaged or broken during or after assembly should be replaced.
- Recycle: For information on how to recycle LED electronic products, please visit www.epa.gov.
- These instructions do not purport to cover all details or variations in equipment nor to provide every possible contingency to meet in connection with installation, operation, or maintenance. Should further information be desired, or should particular problems arise which are not covered sufficiently for the purchaser's or owner's purposes, this matter should be referred to Acuity Brands Lighting, Inc.

• **WARNING RISK OF ELECTRIC SHOCK**

- Disconnect or turn off power before installation or servicing.
- Verify that supply voltage is correct by comparing it with the luminaire label information.
- Make all electrical and grounded connections in accordance with the National Electrical Code (NEC) and any applicable local code requirements.
- All wiring connections should be capped with UL approved recognized wire connectors.

• **CAUTION RISK OF INJURY**

- Wear gloves and safety glasses at all times when removing luminaire from carton, installing, servicing or performing maintenance.
- Avoid direct eye exposure to the light source while it is on.

• **WARNING RISK OF BURN**

- Allow lamp/fixture to cool before handling. Do not touch enclosure or light source.
- Do not exceed maximum wattage marked on luminaire label.
- Follow all manufacturer's warnings, recommendations, and restrictions for: driver type, burning position, mounting locations/methods, replacement and recycling.

• **CAUTION RISK OF FIRE**

- Keep combustible and other materials that can burn, away from lamp/lens.
- Do not operate in close proximity to persons, combustible materials or substances affected by heat or drying.

• **CAUTION RISK OF PRODUCT DAMAGE**

- Never connect components under load.
- Do not mount or support these fixtures in a manner that can cut the outer jacket or damage wire insulation.
- Never connect an LED product to an unapproved dimmer pack. Contact ABL directly for any dimmers not specifically recommended for the product.
- Unless individual product specifications deem otherwise: Allow for some volume of airspace around fixture. Avoid covering LED fixtures with insulation, foam, or other material that will prevent convection or conduction cooling.
- Unless individual product specifications deem otherwise: Maximum ambient temperature is 90°C. Do not operate fixture at temperatures higher than this.
- Unless individual product specifications deem otherwise: Never mount in places where fixture will be exposed to rain, high humidity, extreme temperature changes or restricted ventilation.
- LED products are Polarity Sensitive. Ensure proper Polarity before installation.
- Electrostatic Discharge (ESD): ESD can damage LED fixtures. Personal grounding equipment must be worn during all installation or servicing of the unit.
- Do not touch individual electrical components as this can cause ESD, shorten lamp life, or alter performance.
- There are no user serviceable parts inside the unit. Do not rewire, reconfigure, or modify the unit or attempt any repairs yourself. Additionally, field replacement of the LED assembly or lamps is not allowed by UL standards at this time. In the unlikely event your unit may require service, stop using the unit immediately and contact an ABL representative.
- Always read the fixtures complete installation instructions prior to installation for any additional fixture specific warnings.
- Verify that power distribution system has proper grounding. Lack of proper earth ground can lead to fixture failure and may void warranty.

• **CAUTION RISK OF WIRING PRODUCT DAMAGE**

- To prevent wiring damage or abrasion, do not expose wiring to edges of sheet metal or other sharp objects.

This equipment has been tested and found to comply with the limits for a Class B digital device, pursuant to part 15 of the FCC Rules. These limits are designed to provide reasonable protection against harmful interference in a residential installation. This equipment generates, uses, and can radiate radio frequency energy and, if not installed and used in accordance with the instructions, may cause harmful interference to radio communications. However, there is no guarantee that interference will not occur in a particular installation.

If this equipment does cause harmful interference to radio or television reception, which can be determined by turning the equipment off and on, the user is encouraged to try to correct the interference by one or more of the following measures:

- Reorient or relocate the receiving antenna.
- Increase the separation between the equipment and receiver.
- Connect the equipment into an outlet on a circuit different from that to which the receiver is connected.
- Consult the dealer or an experienced radio/TV technician for help.

All luminaires that contain electronic devices that generate frequencies above 9kHz from any component within the luminaire comply with one of the following Part 15 of the FCC Rules. Operation is subject to the following two conditions:

- (1) This device may not cause harmful interference
- (2) This device must accept any interference received, including interference that may cause undesired operation.

INSTALLATION STEPS:

1. **Read the entirety of the Installation Instructions guide** before beginning to install the fixture.
2. Remove fixture components and parts pack. Check that all parts are included, shown in *Figure 1* and *Table 1*



Figure 1

Description	QTY
plastic bag	1
wire nut(P3H)	3
wire nut (P1) (For MVOLT version only)	2
screw 25M/M(8#32)	2
mounting bracket	1
Nut 3.5mm	1
12mm screw	1

Table 1

WARNING: Before wiring fixture to the power supply, turn off electricity at fuse or circuit breaker box!

3. Move switch on backside of fixture to desired Color Temperature setting **before fixture installation**, shown in *Figure 2*.

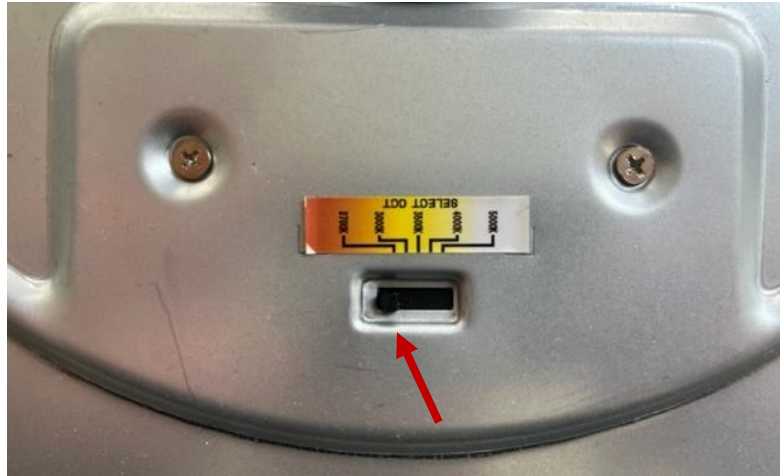


Figure 2

4. Use the **#8 Screws** provided to secure the Mounting Bracket flush to the ceiling by fastening it to the Junction Box. **Ensure that the side of the mounting bracket with the text "THIS SIDE DOWN" is facing the floor.** If installing a Square Slimform, use the straight edges of the mounting bracket to assist with alignment of the fixture. To align a square fixture parallel to a particular wall, **ensure that the straight edge of the bracket runs parallel with the wall**, as shown in *Figure 3*

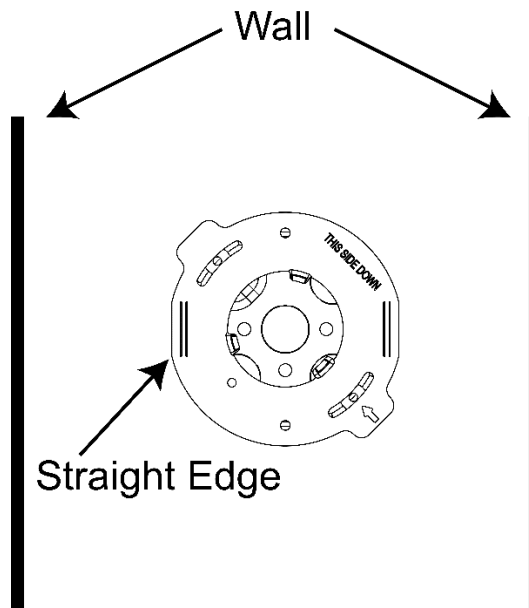


Figure 3

5. Attach the **eyelet end of the Tether Cable through** the provided 12mm screw location (Method A) **or** through one of the installed Mounting Screws fastened to the Junction Box (Method B):

- A) After fastening the Mounting Plate to the Junction Box, thread the 12mm screw through the hole location shown in *Figure 4*. Then, thread the tether eyelet through the top end of the 12mm screw and secure eyelet with the supplied nut by tightening the nut on top of the eyelet. Method A is recommended for easier installation of the fixture.
- B) Thread the tether eyelet through the screw **BEFORE** fastening the mounting plate to the junction box. Ensure that the tether eyelet is placed in between the mounting plate and junction box, as shown in *Figure 5*.

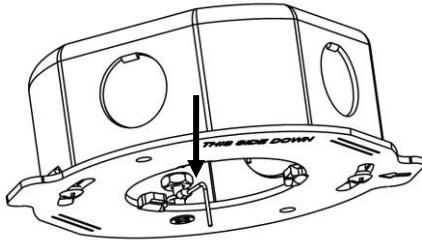


Figure 4 – Method A

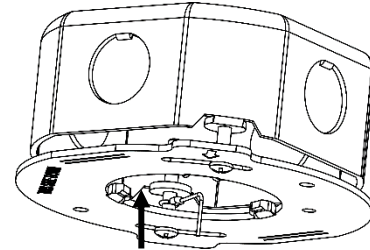


Figure 5 – Method B

6. **With the power turned off**, hold the Fixture Assembly firmly and connect the bare copper ground wire from the fixture to the bare copper ground wire from the junction box using a wire nut. (If house wiring does not include a ground wire, consult your local electrical code for approved grounding methods).

FOR PROPER CONNECTION, PLACE WIRENUT OVER WIRES, TWIST CLOCKWISE UNTIL TIGHT.

7. **Use Wirenuts** to connect black fixture wire to the black power supply wire and white fixture wire to the white power supply wire, as shown in *Figure 6*.

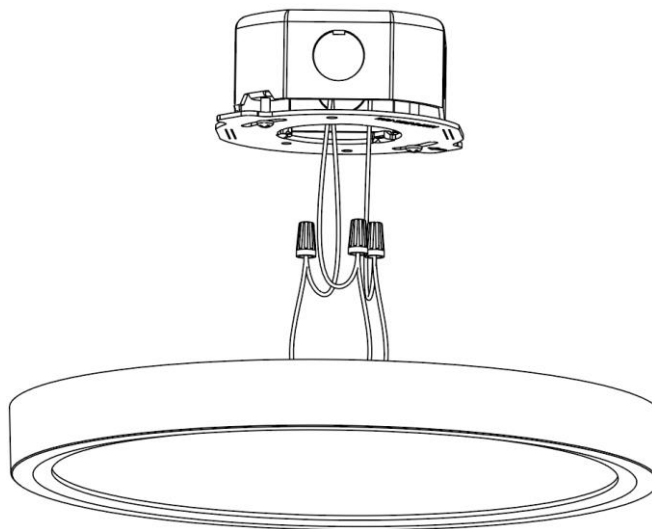


Figure 6

8. **For Fixture with 0-10V dimming (120 - 277V driver only)**, use wire nuts to connect violet dimmer wire from fixture (+) to positive (+) wire from dimmer and pink dimmer wire (-) from fixture to negative (-) wire from dimmer. **See dimmer electrical schematic for more info.**
9. **Hold Fixture Assembly** in one hand and with the other hand position wires up and into outlet box.
10. **Align the straight arrow on the Mounting Puck** on Fixture Assembly **with the straight arrow on the Mounting Bracket**, as shown in *Figure 7*.

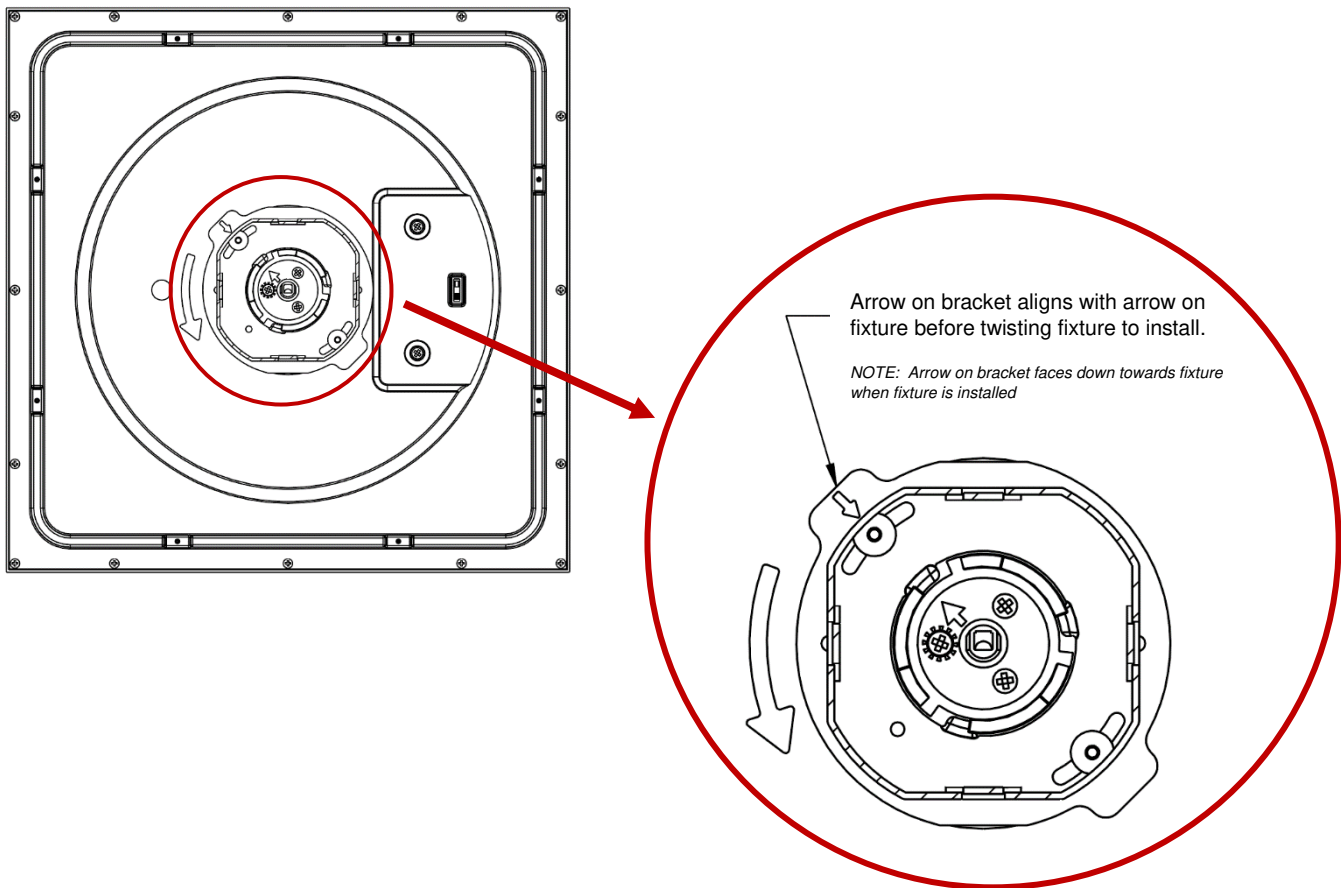


Figure 7

The Arrows on the Fixture AND Mounting bracket MUST be aligned to install fixture properly.

- Secure the Fixture Assembly to the Mounting Bracket by **twisting the fixture CLOCKWISE while gently pushing the fixture upwards into the junction box**, shown in *Figure 8*. The installer should feel a slight “bump” while screwing on the fixture to confirm that the fixture has locked into place. The fixture must be rotated clockwise 90 degrees from Arrow alignment to fully install. If aligning with a Square Slimform, the installer will have a little extra tolerance to adjust the alignment of the fixture after feeling the “bump” secure the fixture in place.

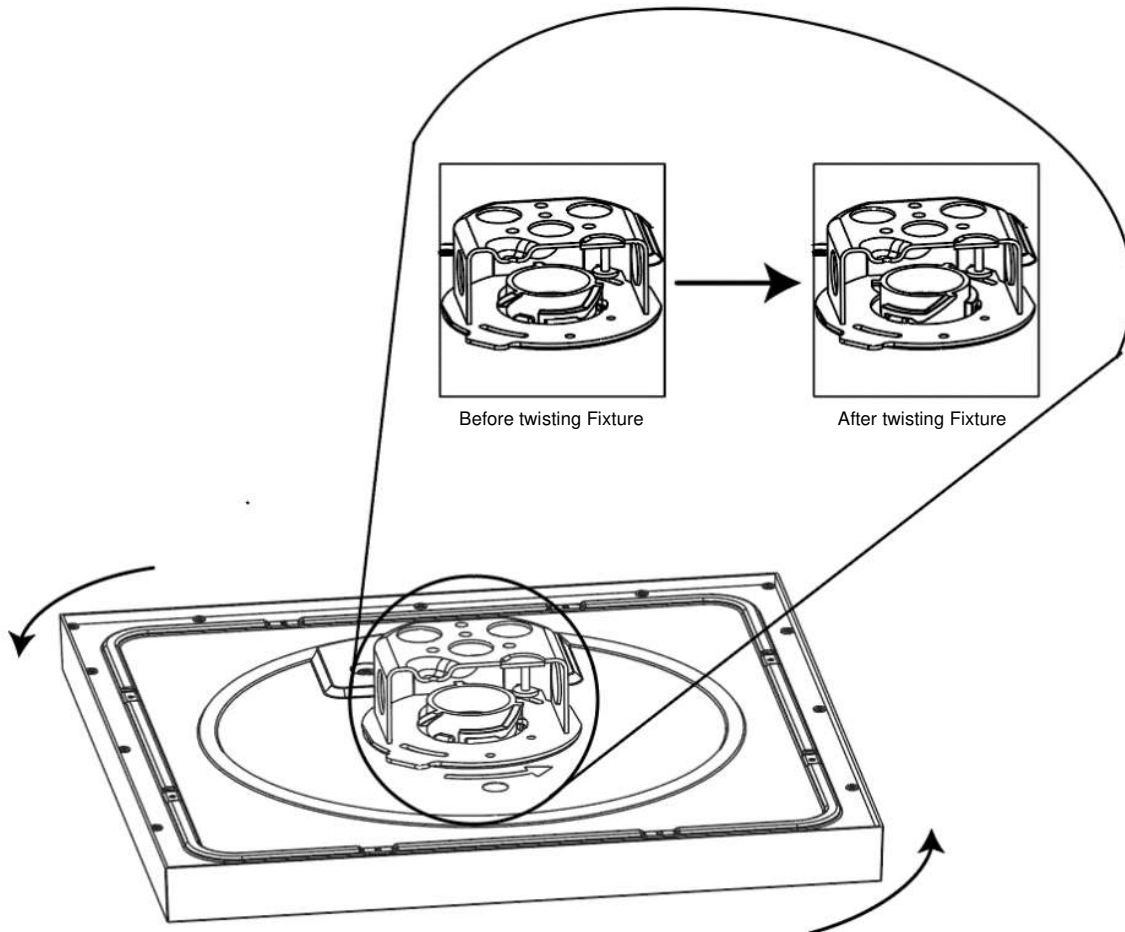


Figure 8

If Junction Box is sticking out of the ceiling, there may be gap between fixture and ceiling.

- Turn on electricity at fuse or circuit breaker box and verify that fixture functions properly.

TROUBLE SHOOTING GUIDE

If this fixture fails to operate properly, use the guide below to diagnose and correct the problem.

- Verify that fixture is wired properly.
- Verify that fixture is grounded correctly.
- The line voltage at the fixture is correct.

If further assistance is required, contact:

Technical Support at: (800) 705-7378

This LED light provides low maintenance service with no bulbs to change.

Suggested Dimmers

For suggested dimmers, see the notes below.

1. 120-volt driver is dimmable with the use of most incandescent, magnetic low voltage and electronic low voltage wall box dimmers.
2. Universal voltage driver is dimmable with the use of most 0-10V wall box dimmers. See electrical schematic of the dimmer or consult local electrician to connect fixture as wire connections may be different.
3. For a list of compatible dimmers, see JUNOSLIMFORM-DIM

NOTE: See spec sheet for recommended dimmers. Dimmers that are not listed on spec sheet do not imply non-compatibility.

Compatible Junction Box Sizes

4" octagonal (metal or plastic)

Juno IC1JB 4" Junction Box

**1 3/4" minimum deep junction box required for installation

**3" minimum diameter of clearance space in junction box for installation

Fixture Notes

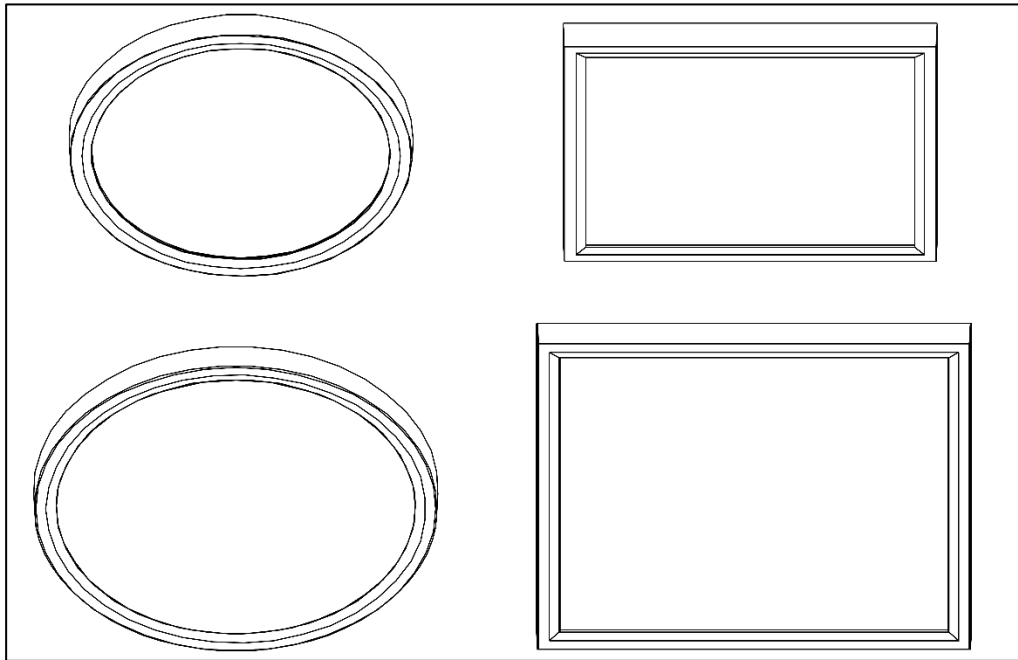
120V FIXTURE MUST BE CONNECTED TO A NOMINAL 120 VOLT, 60 HZ POWER SOURCE AND 120 - 277V FIXTURE TO A NOMINAL 120 - 277 VOLT, 60HZ POWER SOURCE. Any other connection voids warranty.

This fixture is intended to be connected to a properly installed and grounded UL listed junction box (not provided) and should be installed according to the NEC and local building codes.

Products with emergency option are suitable for installation in damp locations only. Products are suitable for installation in wet locations (indoor covered ceilings only); fill any visible gaps between fixture and mounting surface with a waterproof sealant such as silicone caulk.

Luminaria Juno Slimform Luz de led con montaje empotrado

Instrucciones de instalación



JSF 11IN 13LM SWW5 90CRI 120 FRPC
JSF 11IN 13LM SWW5 90CRI MVOLT ZT
JSF 13IN 18LM SWW5 90CRI 120 FRPC
JSF 13IN 18LM SWW5 90CRI MVOLT ZT

JSFSQ 12IN 13LM SWW5 90CRI 120 FRPC
JSFSQ 12IN 13LM SWW5 90CRI MVOLT ZT
JSFSQ 14IN 18LM SWW5 90CRI 120 FRPC
JSFSQ 14IN 18LM SWW5 90CRI MVOLT ZT

Visite www.acuitybrands.com/brands/lighting/juno para encontrar accesorios complementarios y mucho más.

- Atención al cliente
- Nuestro catálogo completo de productos
- Hojas de instrucciones de productos



LEA Y SIGA TODAS LAS INSTRUCCIONES DE SEGURIDAD.** GUARDE ESTAS INSTRUCCIONES Y ENTRÉGUELAS AL PROPIETARIO DESPUÉS DE LA INSTALACIÓN.**

Información del producto: Juno Slimform se puede utilizar para cajas de conexiones aprobadas por UL ya instaladas en la aplicación.

Contenido del producto: Cada caja contiene lo siguiente: 1 módulo de luz LED Juno Slimform, 1 soporte de montaje, 3 tuercas para cables (P3H), 2 tuercas para cables (P1, solo para MVOLT), 2 adaptadores de tornillos (8#32), 1 tornillo (12 mm) y 1 tuerca. **Verifique todo el contenido antes de la instalación.**

Herramientas requeridas (no incluidas): gafas de seguridad, destornillador, escalera y guantes.

Advertencia del producto: El incumplimiento de alguna de estas instrucciones puede anular las garantías del producto. Los cambios o las modificaciones en esta unidad no aprobadas expresamente por la parte responsable del cumplimiento podrían anular la autorización del usuario para operar el equipo. **Para obtener una lista completa de los términos y condiciones del producto, visite www.acuitybrands.com.** Acuity Brands Lighting, Inc. no se hace responsable de los reclamos que puedan surgir por la instalación o manipulación inadecuada o negligente de sus productos.

INSTRUCCIONES DE SEGURIDAD IMPORTANTES PARA PRODUCTOS DE LED

- Para reducir el riesgo de muerte, lesiones personales o daños a la propiedad que pueda surgir de incendios, descargas eléctricas, caída de piezas, cortes, desgastes y otros peligros, lea todas las advertencias e instrucciones incluidas en la caja o su interior, además de las etiquetas del montaje.
- Antes de instalar, reparar o realizar el mantenimiento de rutina del equipo, siga estas precauciones generales.
- La instalación y la reparación de las luminarias deben estar a cargo de un **electricista calificado autorizado**.
- El mantenimiento de las luminarias debe ser realizado por una persona familiarizada con la fabricación y el funcionamiento de este producto, así como con los peligros relacionados. Se recomienda seguir programas de mantenimiento regular de los montajes.
- En ocasiones, será necesario limpiar el exterior del refractor, lente o moldura. La frecuencia de la limpieza dependerá del nivel de suciedad ambiental y de la salida de luz mínima que sea aceptable para el usuario. Lave el refractor, el lente o la moldura con una solución de agua tibia y detergente de uso doméstico, suave y no abrasivo; luego, enjuáguelos con agua limpia y séquelos. En caso de que se ensucie el interior del montaje óptico, limpie el refractor o el lente de la forma indicada anteriormente y reemplace las juntas dañadas según sea necesario.
- **NO INSTALE PRODUCTOS DAÑADOS.** Esta luminaria se empaquetó adecuadamente para que las piezas no resultaran dañadas durante su transporte. Revíselas para confirmarlo. Cualquier pieza dañada o rota durante o después del montaje debe reemplazarse.
- **Reciclado:** para obtener información sobre cómo reciclar productos electrónicos de led, visite www.epa.gov.
- Estas instrucciones no pretenden cubrir todos los detalles o las variaciones de los equipos ni abarcar todas las posibles eventualidades relacionadas con la instalación, el funcionamiento o el mantenimiento. Si necesita más información o surgen problemas específicos que no estén debidamente explicados para los fines del comprador o propietario, comuníquese con Acuity Brands Lighting, Inc.



INSTRUCCIONES DE INSTALACIÓN

Juno Slimform: 11 in -14 in

• ADVERTENCIA: RIESGO DE DESCARGA ELÉCTRICA

- Desconecte o interrumpa el suministro eléctrico antes de realizar la instalación o de efectuar reparaciones.
- Compare el voltaje de alimentación con la información de la etiqueta de la luminaria para verificar que sea el correcto.
- Realice todas las conexiones eléctricas y a tierra de acuerdo con los requisitos del Código Eléctrico Nacional (NEC) y todos los códigos locales aplicables.
- Todas las conexiones del cableado deben cubrirse con conectores para cables reconocidos y aprobados por UL.

• PRECAUCIÓN: RIESGO DE LESIONES

- Use guantes y gafas de seguridad en todo momento cuando quite la luminaria de la caja o cuando la instale, la repare o realice tareas de mantenimiento.
- Cuando la luz esté encendida, evite la exposición directa de los ojos a la fuente de luz.

• ADVERTENCIA: RIESGO DE QUEMADURAS

- Antes de manipular la lámpara o la luminaria, déjelas enfriar. No toque la carcasa ni la fuente de iluminación.
- No supere el voltaje máximo señalado en la etiqueta de la luminaria.
- Siga todas las advertencias, recomendaciones y restricciones del fabricante en relación con el tipo de circuito controlador, la posición de funcionamiento, las ubicaciones y los métodos de montaje, los reemplazos y el reciclado.

• PRECAUCIÓN: RIESGO DE INCENDIO

- Mantenga lejos de la lámpara o del lente los materiales combustibles o de otro tipo que puedan arder.
- No haga funcionar la luminaria cerca de personas, materiales combustibles o sustancias sensibles al calor o a la desecación.

• PRECAUCIÓN: RIESGO DE DAÑO PARA EL PRODUCTO

- Nunca conecte componentes cuando están bajo carga.
- No monte ni sujete estos accesorios de manera que se pueda cortar el revestimiento exterior o dañar el aislamiento de los cables.
- Jamás conecte un producto de led a un paquete de atenuación de intensidad de la luz que no esté aprobado. Contacte a ABL directamente para consultar sobre cualquier atenuador que no esté específicamente recomendado para el producto.
- A menos que las especificaciones particulares del producto indiquen lo contrario, deje un poco de espacio libre alrededor de los accesorios. Evite cubrir las luminarias led con material aislante, espuma u otro material que impida el enfriamiento por convección o conducción.
- A menos que las especificaciones particulares del producto indiquen lo contrario, la temperatura ambiente máxima debe ser de 90 °C. No haga funcionar la luminaria a temperaturas más elevadas que esta.
- A menos que las especificaciones particulares del producto indiquen lo contrario, jamás instale las luminarias en lugares donde queden expuestas a la lluvia, un alto nivel de humedad, los cambios extremos de temperatura o una ventilación limitada.
- Los productos de led son sensibles a la polaridad. Asegúrese de que la polaridad sea la adecuada antes de la instalación.
- Descarga electrostática (ESD): la ESD puede dañar las luminarias led. Se debe usar equipamiento personal de conexión a tierra durante todos los procedimientos de instalación o mantenimiento de la unidad.
- No toque los componentes eléctricos individuales, ya que esto puede causar una ESD, acortar la vida útil de la lámpara o alterar el rendimiento.
- La unidad no contiene piezas que el usuario pueda reparar. No modifique los cables de la unidad ni la vuelva a configurar. Tampoco la modifique ni intente repararla usted mismo. Además, en este momento los estándares de UL no permiten el reemplazo en campo del montaje de leds o sus lámparas. En el caso improbable de que su unidad requiera reparación, deje de usar la unidad inmediatamente y comuníquese con un representante de ABL.
- Lea siempre las instrucciones completas de instalación de las luminarias antes de su instalación para verificar si hay advertencias específicas adicionales para cada accesorio.
- Verifique que el sistema de distribución de energía eléctrica tenga una conexión a tierra adecuada. La falta de una toma a tierra adecuada puede conducir a una falla de la lámpara y podría anular la garantía.

▪ **PRECAUCIÓN: RIESGO DE DAÑO PARA EL PRODUCTO**

- Para evitar el daño o el desgaste del cableado, no lo exponga a bordes de láminas de metal u otro tipo de objetos filosos.

Este equipo fue probado y se comprobó que cumple con los límites de un dispositivo digital clase B, de conformidad con la parte 15 de las reglas de la FCC. Estos límites se elaboraron para proporcionar protección razonable contra interferencia perjudicial al utilizarse en una instalación residencial. Este equipo genera, utiliza y puede irradiar energía de radiofrecuencia y, de no instalarse y utilizarse de acuerdo con las instrucciones, puede provocar interferencia perjudicial en las comunicaciones de radio. Sin embargo, no se puede garantizar que no se produzcan interferencias en una instalación en particular.

Si este equipo ocasionara interferencias perjudiciales para la recepción de las señales de radio o televisión, las que pueden detectarse encendiendo y apagando el equipo, el usuario debe intentar corregirlas por medio de una o más de las siguientes medidas:

- Orientar la antena receptora en otra dirección o ubicarla en otro sitio.
- Aumentar la separación entre el equipo y el receptor.
- Conectar el equipo a una toma de corriente de un circuito diferente de aquel al que esté conectado el receptor.
- Solicitar ayuda al comerciante o a un técnico experto en radio/TV.

Todas las luminarias que contienen dispositivos eléctricos que generan frecuencias superiores a 9 kHz desde cualquier componente de la luminaria cumplen una de las reglas de la parte 15 de la Comisión Federal de Comunicaciones (FCC). El funcionamiento está sujeto a las siguientes dos condiciones:

- (1) Este dispositivo no puede ocasionar interferencias perjudiciales.
- (2) Este dispositivo debe aceptar cualquier interferencia recibida, incluso aquellas que puedan ocasionar un mal funcionamiento.

PASOS DE LA INSTALACIÓN:

1. **Lea la guía de Instrucciones de instalación en su totalidad** antes de comenzar a instalar el accesorio.
2. Retire los componentes de la lámpara y el paquete de piezas. Verifique que todas las piezas estén incluidas, como se muestra en la *Figura 1* y la *Tabla 1*



Figura 1

Descripción	CANTIDAD
Bolsa de plástico	1
Tuerca para cables (P3H)	3
Tuerca para cables (P1) (solo para la versión MVOLT)	2
Tornillo 25 M/M (8#32)	2
Soporte de montaje	1
Tuerca 3.5 mm	1
Tornillo de 12 mm	1

Tabla 1

ADVERTENCIA: ¡Antes de conectar el artefacto a la fuente de energía, desactive la electricidad desde la caja de fusibles o el disyuntor!

- Mueva el interruptor en la parte posterior de la luminaria al ajuste de temperatura de color deseado **antes de instalar la luminaria**, como se muestra en la *Figura 2*.



Figura 2

- Utilice los **tornillos n.º 8** incluidos para asegurar el soporte de montaje empotrado en el techo fijándolo a la caja de conexión. **Asegúrese de que el lado del soporte de montaje con el texto "ESTE LADO HACIA ABAJO" mire hacia el piso.** Si instala un Slimform cuadrado, utilice los bordes rectos del soporte de montaje para ayudar con la alineación de la luminaria. Para alinear una luminaria cuadrada de forma paralela a una pared en particular, **asegúrese de que el borde recto del soporte quede paralelo a la pared**, como se muestra en la *Figura 3*.

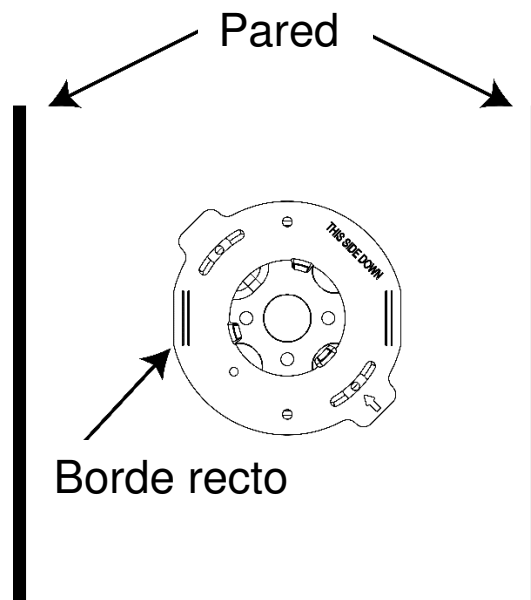


Figura 3

5. Fije el **extremo del ojal del cable de amarre a través** de la ubicación del tornillo de 12 mm (método A) **o** a través de los tornillos de montaje instalados fijados a la caja de conexión (método B):
 - A) Después de fijar la placa de montaje a la caja de conexión, enrosque el tornillo de 12 mm a través de la ubicación del orificio que se muestra en la *Figura 4*. Luego, enrosque el ojal de amarre a través del extremo superior del tornillo de 12 mm y asegure el ojal con la tuerca provista apretando la tuerca en la parte superior del ojal. Se recomienda el método A para facilitar la instalación de la luminaria.
 - B) Pase el ojal de amarre a través del tornillo **ANTES de fijar la placa de montaje a la caja de conexión**. Asegúrese de que el ojal de amarre esté colocado entre la placa de montaje y la caja de conexión, como se muestra en la *Figura 5*.

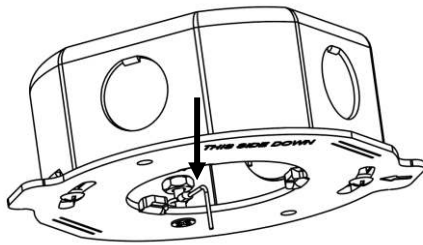


Figura 4: Método A

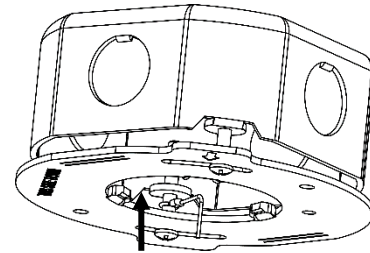


Figura 5: Método B

6. **Con la energía eléctrica desconectada**, sujete firmemente el montaje de la luminaria y conecte el cable de puesta a tierra de cobre pelado de la luminaria al cable de puesta a tierra de cobre pelado de la caja de conexión usando una tuerca para cables. (Si el cableado de la casa no incluye cables de puesta a tierra, consulte el código eléctrico local para informarse sobre los métodos de puesta a tierra aprobados).

PARA UNA CONEXIÓN APROPIADA, COLOQUE LA TUERCA PARA CABLES SOBRE ESTOS Y GIRE HACIA LA DERECHA HASTA AJUSTAR.

7. **Utilice las tuercas para cables** para conectar el cable negro del equipo al cable de suministro de energía negro y el cable blanco del equipo al cable de suministro de energía blanco, como se muestra en la *Figura 6*.

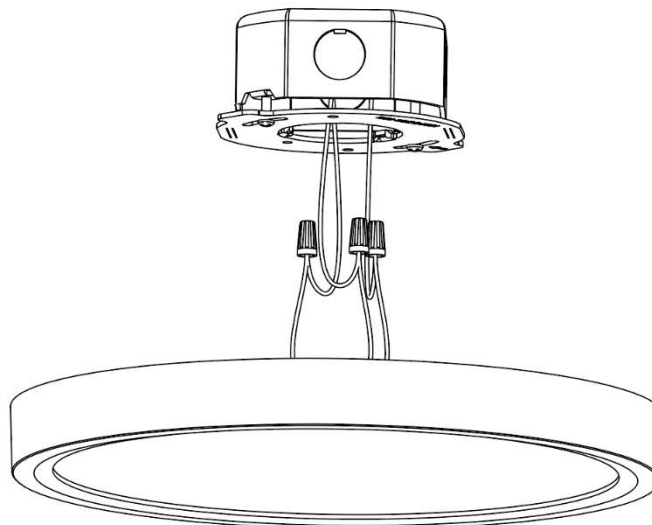


Figura 6

8. **Para los equipos con atenuación de 0-10 V (solo con controlador de 120 a 277 V)**, utilice tuercas para cables para conectar el cable violeta del atenuador del equipo (+) al cable positivo (+) del atenuador y el cable rosa del atenuador (-) del equipo al cable negativo (-) del atenuador. **Vea el esquema eléctrico del atenuador para obtener más información.**
9. **Sujete el montaje del equipo** con una mano y, con la otra, coloque los cables dentro de la caja de salida.
10. **Alinee la flecha recta en el disco de montaje** en el montaje de la luminaria **con la flecha recta en el soporte de montaje**, como se muestra en la *Figura 7*.

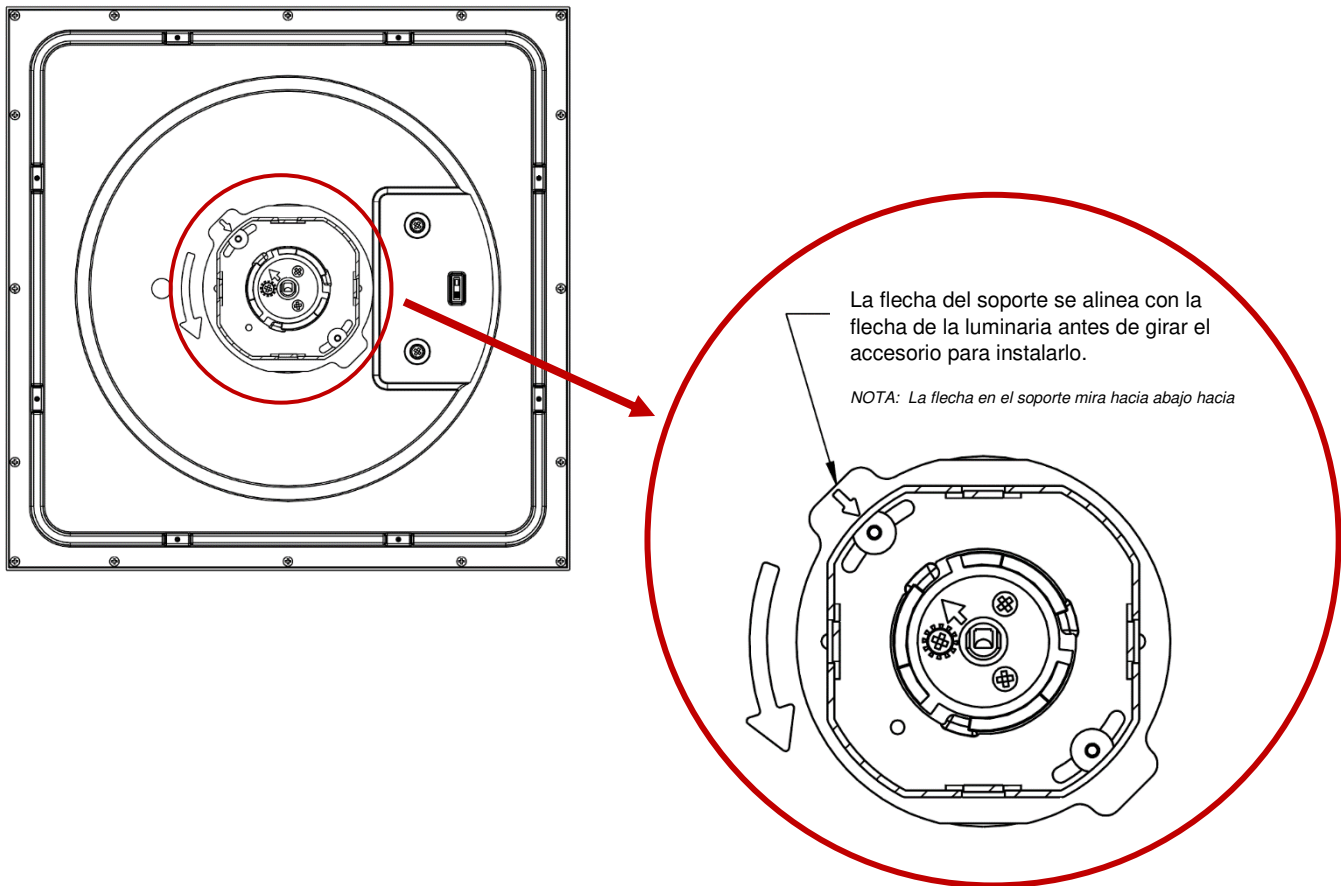
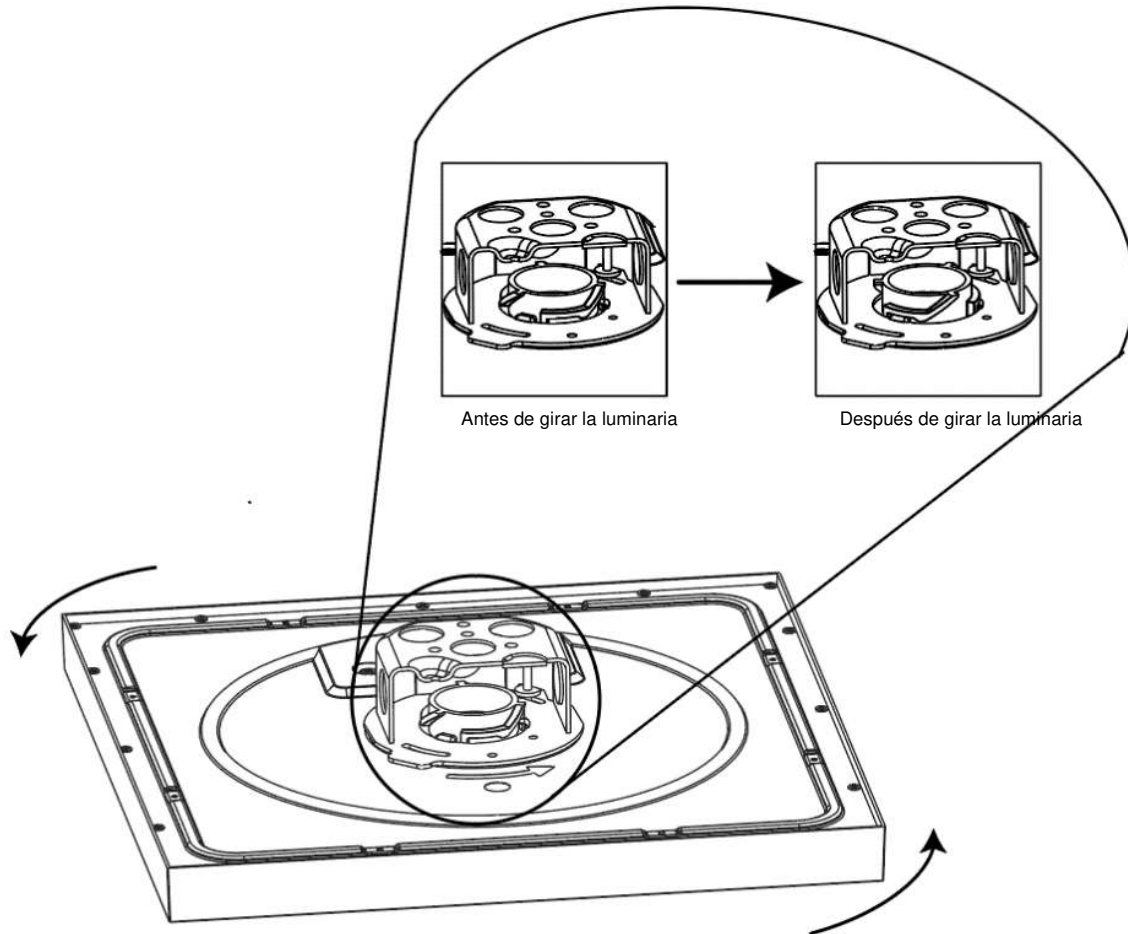


Figura 7

Las flechas en la luminaria Y el soporte de montaje DEBEN estar alineados para instalar la luminaria correctamente.

11. Asegure el montaje de la luminaria con el soporte de montaje **girando la luminaria en SENTIDO HORARIO mientras empuja suavemente la luminaria hacia arriba dentro de la caja de conexión**, como se muestra en la *Figura 8*. El instalador debe sentir un ligero "golpe" mientras atornilla la luminaria para confirmar que esta se ha asegurado en su lugar. La luminaria debe girarse 90 grados en sentido horario desde la alineación de la flecha para instalarla por completo. Si se alinea con un Slimform cuadrado, el instalador tendrá un poco más de tolerancia para ajustar la alineación de la luminaria después de sentir el "golpe" que asegura el accesorio en su lugar.

**Figura 8**

Si la caja de conexión sale del techo, puede haber un hueco entre la lámpara y el techo.

10. **Active la electricidad** en la caja de fusibles o el disyuntor, y verifique que la luminaria funcione correctamente.

GUÍA DE RESOLUCIÓN DE PROBLEMAS

Si la luminaria no funciona adecuadamente, utilice la guía que aparece a continuación para determinar cuál es el problema y solucionarlo.

- Verifique que la luminaria esté conectada correctamente.
- Verifique que la luminaria esté conectada a tierra de manera adecuada.
- Que la línea de voltaje de la luminaria sea la correcta.

Si necesita obtener más ayuda, comuníquese con:

Soporte técnico al (800) 705-7378

Esta luz led proporciona un servicio de bajo mantenimiento sin tener que cambiar bombillas.

Atenuadores recomendados

Para conocer los atenuadores sugeridos, consulte las notas a continuación.

1. El controlador de 120 voltios se puede atenuar con la mayoría de los atenuadores de caja de pared incandescentes, magnéticos de bajo voltaje y electrónicos de bajo voltaje.
2. El controlador de tensión universal se puede atenuar con la mayoría de los atenuadores de caja de pared de 0 a 10 V. Vea el esquema eléctrico del atenuador o consulte a un electricista local sobre cómo conectar la luminaria, ya que las conexiones de cables pueden ser diferentes.
3. Para obtener una lista de atenuadores compatibles, consulte JUNOSLIMFORM-DIM.

NOTA: Consulte la hoja de especificaciones de los atenuadores recomendados. Los atenuadores que no se incluyen en la lista no son necesariamente incompatibles.

Tamaños de caja de conexión compatibles

Octogonal de 4 in (metal o plástico)

Caja de conexión Juno IC1JB de 4 in

**Se requiere una caja de conexión de profundidad mínima de 1 3/4 in para la instalación

**Diámetro mínimo de 3 in de espacio libre en la caja de conexión para la instalación

Notas sobre el equipo

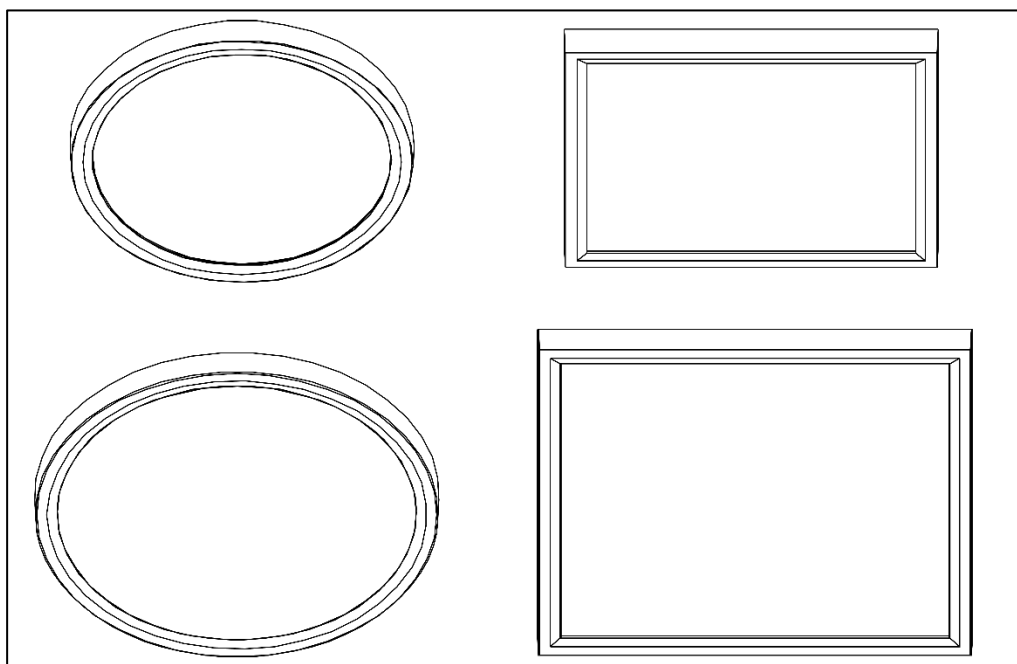
EL EQUIPO DE 120 V SE DEBE CONECTAR A UNA FUENTE DE ENERGÍA NOMINAL DE 120 VOLTIOS, 60 HZ, Y EL EQUIPO DE 120 A 277 V SE DEBE CONECTAR A FUENTE DE ENERGÍA NOMINAL DE 120 A 277 VOLTIOS, 60 HZ. Cualquier otro tipo de conexión anulará la garantía.

Esta luminaria ha sido diseñada para conectarse a una caja de conexión aprobada por UL debidamente instalada y puesta a tierra (no incluida), y se debe instalar de acuerdo con el Código Eléctrico Nacional (NEC) y los códigos de edificación locales.

Los productos con opción de emergencia son adecuados para su instalación solo en lugares húmedos. Los productos son adecuados para su instalación en lugares húmedos (solo en techos cubiertos de interiores). Rellene los espacios visibles entre la lámpara y la superficie de montaje con un sellador resistente al agua, como masilla de silicona.

Plafonnier Juno Slimform Luminaire DEL à montage encastré

Instructions d'installation



JSF 11IN 13LM SWW5 90CRI 120 FRPC
JSF 11IN 13LM SWW5 90CRI MVOLT ZT
JSF 13IN 18LM SWW5 90CRI 120 FRPC
JSF 13IN 18LM SWW5 90CRI MVOLT ZT

JSFSQ 12IN 13LM SWW5 90CRI 120 FRPC
JSFSQ 12IN 13LM SWW5 90CRI MVOLT ZT
JSFSQ 14IN 18LM SWW5 90CRI 120 FRPC
JSFSQ 14IN 18LM SWW5 90CRI MVOLT ZT

Rendez-vous sur www.acuitybrands.com/brands/lighting/juno pour découvrir des accessoires complémentaires et bien plus encore.

- Soutien à la clientèle
- Notre catalogue de produits complet
- Fiches d'instructions du produit



VEUILLEZ LIRE ET RESPECTER TOUTES LES INSTRUCTIONS DE SÉCURITÉ!**CONSERVER CES INSTRUCTIONS ET LES REMETTRE AU PROPRIÉTAIRE APRÈS****L'INSTALLATION**

Informations sur le produit : Juno Slimform est compatible avec les boîtiers de raccordement homologués UL déjà installés dans l'application.

Contenu de l'emballage du produit : Chaque carton unitaire contient les éléments suivants : 1 module d'éclairage DEL Juno Slimform, 1 support de montage, 3 capuchons de connexion (P3H), 2 capuchons de connexion (P1, pour MVOLT uniquement), 2 adaptateurs à vis (n° 8-32), 1 vis (12 mm) et 1 écrou. Vérifiez tout le contenu avant l'installation.

Outils nécessaires (non inclus) : Lunettes de protection, tournevis, échelle et gants.

Mise en garde concernant le produit : Le non-respect de ces instructions pourrait annuler les garanties du produit. Toute modification effectuée sur cet appareil sans l'approbation de la partie responsable de la conformité pourrait annuler l'autorisation qu'a l'utilisateur d'utiliser ledit appareil. Pour consulter la liste complète des conditions d'utilisation du produit, veuillez vous rendre sur www.acuitybrands.com. Acuity Brands Lighting, Inc. décline toute responsabilité pour les réclamations résultant d'installation ou de manipulation incorrecte ou imprudente de ses produits.

INSTRUCTIONS DE SÉCURITÉ IMPORTANTES RELATIVES AUX LUMINAIRES DEL

- Afin de réduire les risques de blessure, d'accident mortel ou de dommage matériel en raison d'un incendie, d'électrocution, de chute de pièces, de coupure ou d'abrasion ou de tout autre type de risque, il est essentiel de lire toutes les instructions et tous les avertissements compris dans et sur la boîte du luminaire ainsi que sur toutes les étiquettes.
- Avant l'installation ou l'entretien particulier ou de routine de cet équipement, tenir compte de ces précautions générales.
- L'installation, l'entretien et les réparations des luminaires ne devraient être effectués que par un **électricien diplômé et qualifié**.
- L'entretien doit être effectué par des personnes qui connaissent bien la fabrication et l'utilisation des luminaires et tous les risques associés. Il est recommandé de mettre en place des programmes d'entretien régulier du luminaire.
- À l'occasion, il sera nécessaire de nettoyer la partie extérieure du réfracteur, de la lentille ou de la garniture. La fréquence du nettoyage dépend de la saleté présente dans l'environnement et du rendement lumineux minimal acceptable pour l'utilisateur. Le réfracteur, la lentille et la garniture doivent être lavés dans une solution d'eau tiède avec un détergent ménager doux et non abrasif, rincés à l'eau claire, puis essuyés avant d'être séchés. En cas d'accumulation de saleté à l'intérieur de l'assemblage optique, essuyer le réfracteur ou la lentille et nettoyer comme indiqué ci-dessus, en remplaçant les joints endommagés au besoin.
- **N'INSTALLER AUCUN PRODUIT ENDOMMAGÉ!** Ce luminaire a été adéquatement emballé, de sorte qu'aucune pièce ne devrait avoir subi de dommage pendant le transport. Inspecter toutes les pièces pour s'assurer de leur intégrité. Toute pièce endommagée ou brisée pendant ou après l'assemblage doit être remplacée.
- Recyclage : pour obtenir des renseignements sur la manière de recycler les produits électroniques à DEL, veuillez vous rendre sur www.epa.gov.
- Ces instructions ne sont pas censées traiter de tous les détails ou de toutes les variations de l'équipement. Elles ne fournissent pas les informations sur toutes les éventualités possibles en ce qui concerne l'installation, l'utilisation ou l'entretien. Si vous désirez obtenir plus de renseignements ou si des problèmes qui n'ont pas été suffisamment abordés selon les besoins particuliers de l'acheteur ou du propriétaire surviennent, veuillez communiquer avec Acuity Brands Lighting, Inc.

• **AVERTISSEMENT : RISQUE DE DÉCHARGE ÉLECTRIQUE**

- Débrancher ou couper l'alimentation électrique avant l'installation ou l'entretien.
- Vérifier que la tension d'alimentation est adéquate en la comparant avec les informations imprimées sur l'étiquette du luminaire.
- Effectuer l'ensemble des raccordements électriques et des mises à la terre conformément au Code national de l'électricité (CNE) et à toutes les exigences des codes locaux applicables.
- Tous les raccordements câblés doivent être isolés avec des connecteurs reconnus et certifiés UL.

• **ATTENTION : RISQUE DE BLESSURE**

- Porter des gants et des lunettes de protection à tout moment pour sortir le luminaire de la boîte, l'installer, le réparer ou en faire l'entretien.
- Éviter le contact direct de la source de lumière avec les yeux lorsque le luminaire est allumé.

• **AVERTISSEMENT : RISQUE DE BRÛLURE**

- Laisser la lampe ou le luminaire refroidir avant de manipuler. Ne pas toucher l'enceinte ou la source de lumière.
- Ne pas dépasser la puissance électrique maximum indiquée sur l'étiquette de la lampe.
- Respecter les avertissements, les recommandations et les restrictions du fabricant, notamment ceux concernant le type de circuit, la position de fonctionnement, les méthodes et les endroits de montage, le remplacement et le recyclage.

• **ATTENTION : RISQUE D'INCENDIE**

- Maintenir toutes les matières combustibles ou susceptibles de brûler à l'écart des lampes et des optiques.
- Ne pas utiliser à proximité de personnes, de matériaux combustibles ou de substances affectées par la chaleur ou par le séchage.

• **ATTENTION : RISQUE D'ENDOMMAGEMENT DU PRODUIT**

- Ne jamais connecter des composants sous tension.
- Ne pas installer ces luminaires d'une manière qui pourrait couper la gaine extérieure ou endommager l'isolation des câbles.
- Ne jamais raccorder un produit DEL à un boîtier variateur non approuvé. Contacter ABL directement pour tous les variateurs non spécialement recommandés pour le produit.
- À moins que des spécifications particulières applicables au produit ne l'exigent : Laisser un espace libre suffisant autour du luminaire. Éviter de couvrir les luminaires à DEL avec un isolant, de la mousse ou tout autre matériau pouvant limiter le refroidissement par conduction ou par convection.
- À moins que des spécifications particulières applicables au produit ne l'exigent : La température maximale d'utilisation est de 90 °C. Ne pas utiliser le luminaire à des températures supérieures.
- À moins que des spécifications particulières applicables au produit ne l'exigent : Ne jamais placer les dispositifs à des endroits pouvant exposer le luminaire à de la pluie, de l'humidité élevée, des changements de température extrêmes ou une ventilation limitée.
- Les produits à DEL sont sensibles à la polarité. S'assurer que la polarité est correcte avant de procéder à l'installation.
- Décharge électrostatique (DES) : Une DES peut endommager les luminaires à DEL. Un équipement personnel de mise à la terre doit être porté lors de tout montage ou de tout entretien de l'unité.
- Ne pas toucher les composants électriques individuels, car cela peut causer une DES, réduire la durée de vie de la lampe ou altérer son rendement.
- Aucune pièce ne peut être réparée par l'utilisateur à l'intérieur de l'unité. Ne pas recâbler, reconfigurer ou modifier l'appareil, ne pas essayer d'effectuer des réparations par soi-même. De plus, le remplacement de l'ensemble ou des ampoules DEL sur le terrain n'est pas autorisé par les normes UL actuelles. Dans le cas peu probable où l'appareil aurait besoin d'être réparé, cesser immédiatement toute utilisation et communiquer avec un représentant ABL.
- Toujours lire toutes les instructions d'installation des appareils pour connaître tout avertissement propre à un appareil avant son installation.
- Vérifier que le système de distribution électrique a une mise à la terre appropriée. Une mauvaise mise à la terre peut entraîner une défaillance du luminaire et annuler la garantie.

• **ATTENTION : RISQUE D'ENDOMMAGEMENT LORS DU CÂBLAGE DU PRODUIT**

- Pour éviter des dégâts ou des abrasions lors du câblage, ne pas mettre les câbles en contact avec des bords de tôle ou autres objets tranchants.

Ce matériel a été testé et jugé conforme aux limitations d'un dispositif numérique de catégorie B, en vertu de la partie 15 des règles de la Commission fédérale des communications (FCC). Ces limites ont pour but de fournir une protection raisonnable contre un brouillage préjudiciable dans une installation résidentielle. Ce matériel génère, utilise et peut rayonner l'énergie des fréquences radio, et s'il n'est pas installé, ni utilisé conformément aux instructions, il peut entraîner un brouillage préjudiciable des communications radio. Cependant, il n'y a aucune garantie que le brouillage ne se produira pas dans une installation particulière.

Si ce matériel entraîne un brouillage préjudiciable de la réception radio ou télévision, ce qui peut être déterminé en l'allumant et en l'éteignant, nous encourageons l'utilisateur à essayer de rectifier ce brouillage à l'aide de l'une ou de plusieurs des mesures suivantes :

- Réorienter ou repositionner l'antenne de réception.
- Augmenter la distance entre l'appareil et le récepteur.
- Raccorder l'appareil à la sortie d'un circuit autre que celui sur lequel le récepteur est branché.
- Consulter le revendeur ou un technicien radio/télévision chevronné pour obtenir de l'aide.

Tous les luminaires qui contiennent des dispositifs électroniques générant des fréquences supérieures à 9 kHz à partir d'un composant situé à l'intérieur du luminaire sont conformes à la partie 15 des règles de la Commission fédérale des communications.

Le fonctionnement est assujéti aux deux conditions suivantes :

- (1) Ce dispositif ne peut pas causer d'interférence nuisible;
- (2) Ce dispositif doit accepter n'importe quelle interférence reçue, y compris les interférences pouvant entraîner un fonctionnement non souhaité.

ÉTAPES DE L'INSTALLATION :

1. Lire l'intégralité du guide d'instructions d'installation avant de commencer à installer le luminaire.
2. Déballez les composants et les pièces du luminaire. Vérifier qu'aucune pièce ne manque, comme indiqué dans la Figure 1 et le Tableau 1.



Figure 1

Description	QTÉ
Sac en plastique	1
Capuchon de connexion (P3H)	3
Capuchon de connexion (P1) (seulement pour la version MVOLT)	2
Vis 25 mm (n° 8-32)	2
Support de montage	1
Écrou 3,5 mm	1
Vis 12	1

Tableau 1

AVERTISSEMENT : Couper le courant au niveau de la boîte de fusible ou du boîtier de disjoncteur avant de procéder au câblage du luminaire.

- Placer le commutateur à l'arrière du luminaire au réglage de température de couleur souhaité **avant de l'installer**, comme illustré à la *Figure 2*.

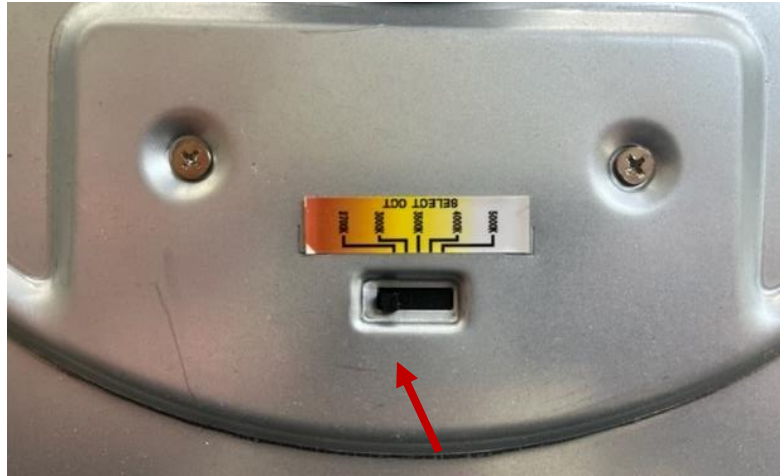


Figure 2

- Utiliser les **vis n° 8** fournies pour fixer le support de montage encastrable au plafond en le fixant au boîtier de raccordement. **S'assurer que le côté du support de montage portant le texte « THIS SIDE DOWN » (CE CÔTÉ EN BAS) est orienté vers le sol.** En cas d'installation d'un Slimform carré, utiliser les bords droits du support de montage pour faciliter l'alignement du luminaire. Pour aligner un dispositif carré parallèlement à un mur quelconque, **s'assurer que le bord droit du support est parallèle au mur**, comme illustré à la *Figure 3*.

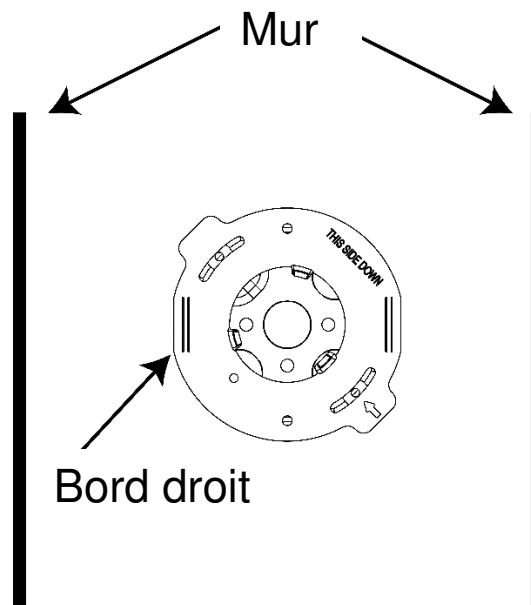


Figure 3

5. Fixer l'**extrémité à œillet du câble d'attache à travers** l'emplacement prévu pour la vis de 12 mm (méthode A) ou à travers l'une des vis de montage installées et fixées au boîtier de raccordement (méthode B) :
 - A) Après avoir fixé la plaque de montage au boîtier de raccordement, faire passer la vis de 12 mm à travers l'emplacement du trou indiqué dans la *figure 4*. Ensuite, faire passer l'œillet d'attache par l'extrémité supérieure de la vis de 12 mm et fixer l'œillet avec l'écrou fourni en serrant l'écrou en haut de l'œillet. La méthode A est recommandée pour faciliter l'installation du luminaire.
 - B) Visser l'œillet d'attache à travers la vis **AVANT de fixer la plaque de montage au boîtier de raccordement**. S'assurer que l'œillet d'attache est placé entre la plaque de montage et le boîtier de raccordement, comme illustré à la *Figure 5*.

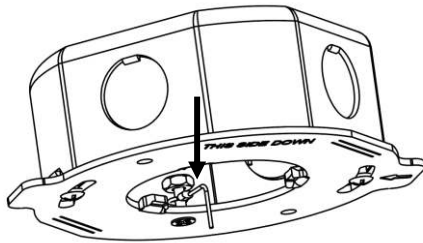


Figure 4 – Méthode A

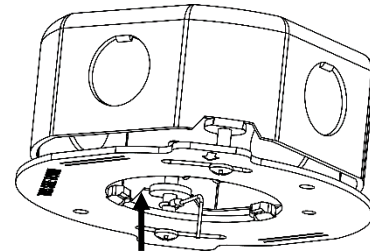


Figure 5 – Méthode B

6. **Après avoir vérifié que le courant est bien coupé**, maintenir l'ensemble du luminaire fermement et raccorder le fil de mise à la terre vert du luminaire au fil de mise à la terre en cuivre depuis le boîtier de raccordement à l'aide du capuchon de connexion (si le câblage de la maison ne comprend pas de mise à la terre, consulter le code de l'électricité local pour connaître les procédures de mise à la terre agréées).

POUR UN BRANCHEMENT APPROPRIÉ, PLACER LE CAPUCHON DE CONNEXION SUR LES CÂBLES ET TOURNER VERS LA DROITE JUSQU'À CE QUE LE CAPUCHON SOIT BIEN SERRÉ.

7. **Utiliser les capuchons de connexion** pour raccorder le câble noir du luminaire au câble d'alimentation noir et le câble blanc du luminaire au câble d'alimentation blanc, comme illustré à la *Figure 6*.

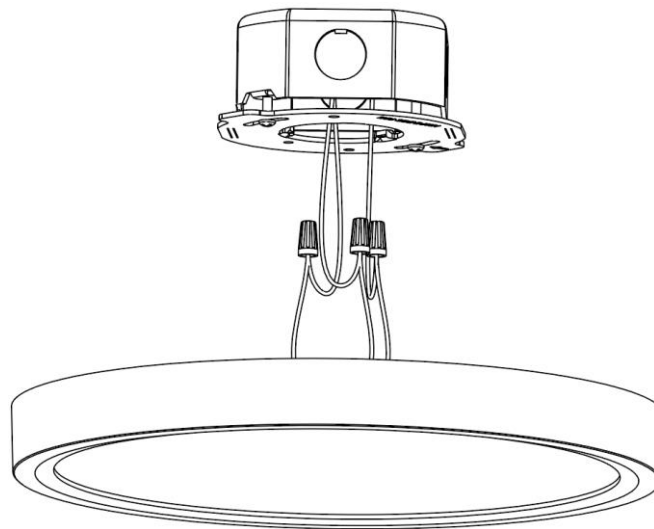


Figure 6

8. **Pour les luminaires à gradateur de 0 à 10 V (pilote de 120 à 277 V uniquement)**, utiliser les capuchons de connexion pour raccorder le fil violet du gradateur du luminaire (+) au fil positif (+) du gradateur et le fil rose du gradateur du luminaire (-) au fil négatif (-) du gradateur. **Voir le schéma électrique du gradateur pour en savoir plus.**
9. **Tenir d'une main l'ensemble du luminaire** et, de l'autre main, disposer les câbles vers le haut et les introduire dans le boîtier de sortie.
10. **Aligner la flèche droite de la rondelle de montage** de l'ensemble du luminaire **avec la flèche droite du support de montage**, comme illustré à la *Figure 7*.

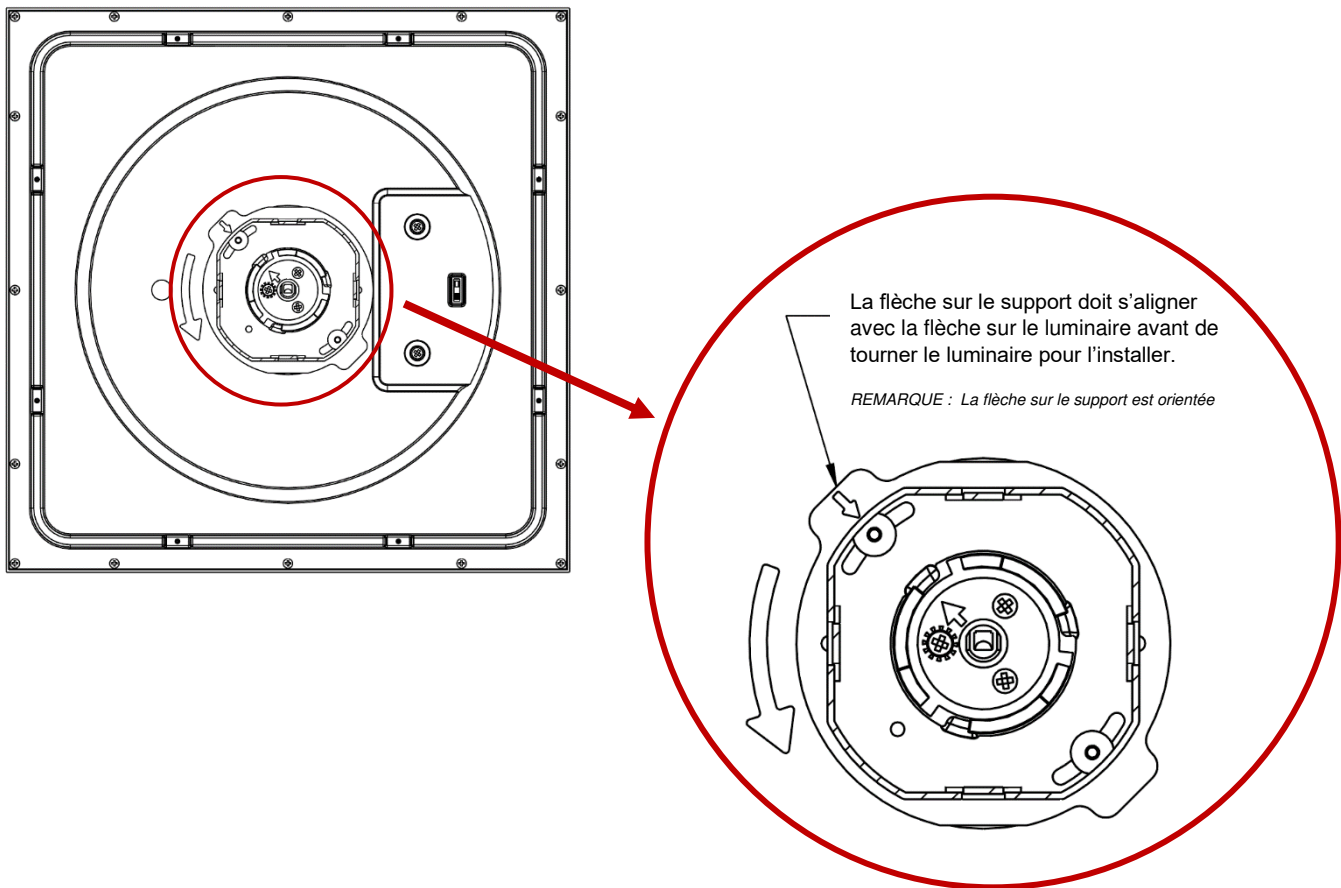


Figure 7

Les flèches sur le luminaire ET sur le support de montage DOIVENT être alignées pour que le luminaire soit correctement installé.

11. Fixer l'ensemble du luminaire au support de montage **en tournant le luminaire dans le sens HORAIRE tout en poussant doucement le luminaire vers le haut dans le boîtier de raccordement**, comme illustré à la *Figure 8*. L'installateur doit sentir une légère « bosse » lorsqu'il visse le luminaire pour confirmer que le luminaire s'est verrouillé en place. Le luminaire doit être tourné dans le sens horaire de 90 degrés par rapport à l'alignement de la flèche pour être complètement installé. Si l'alignement se fait avec un Slimform carré, l'installateur disposera d'un peu plus de tolérance pour ajuster l'alignement du luminaire après avoir senti la « bosse » qui maintient le luminaire en place.

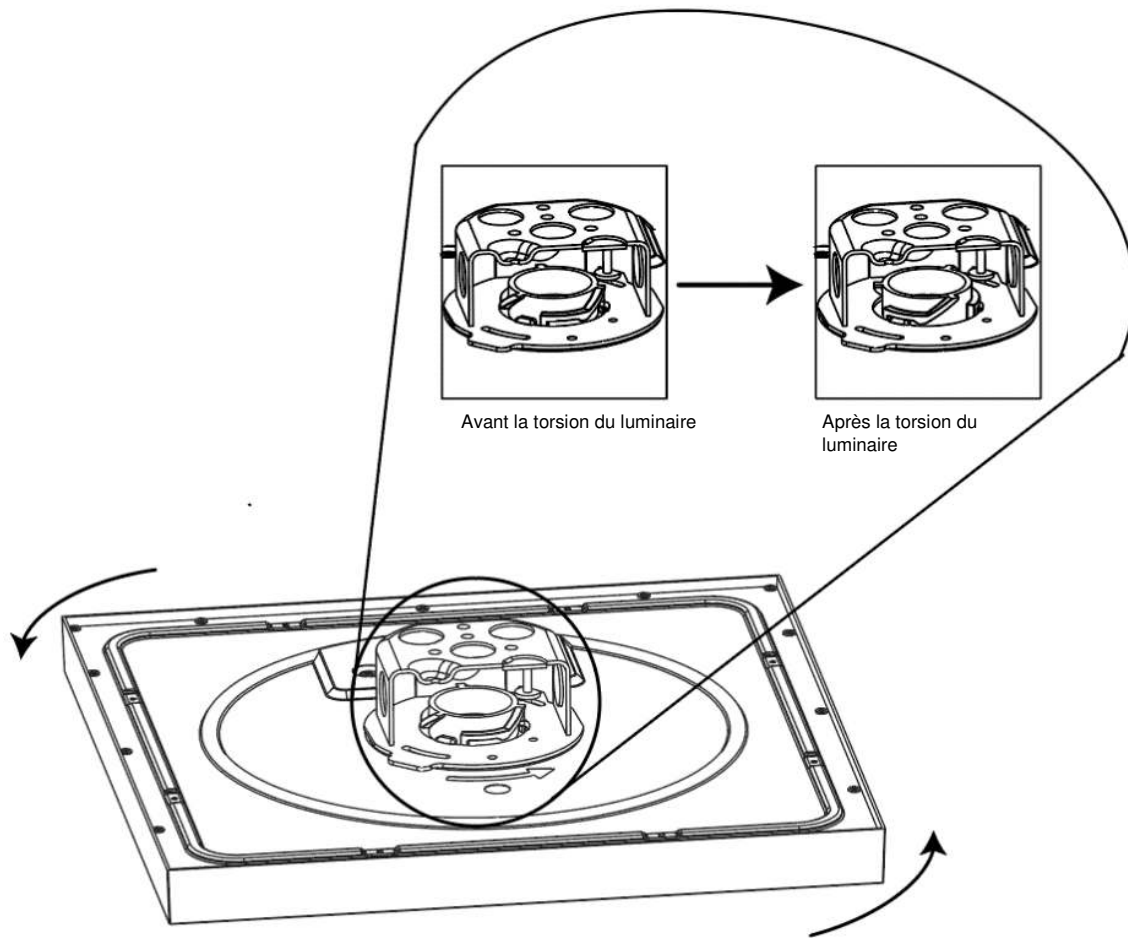


Figure 8

Si le boîtier de raccordement dépasse du plafond, c'est peut-être qu'il y a un espace entre le luminaire et le plafond.

10. **Rétablir l'alimentation** au niveau de la boîte de fusible ou du boîtier de disjoncteur et vérifier que le luminaire fonctionne correctement.

GUIDE DE DÉPANNAGE

Si ce luminaire ne fonctionne pas correctement, utiliser le guide ci-dessous pour diagnostiquer et régler le problème.

- Vérifier que le luminaire est câblé correctement.
- Vérifier que le luminaire est correctement mis à la terre.
- La tension de la ligne au niveau du dispositif est appropriée.

Si une assistance supplémentaire est nécessaire, appelez
l'assistance technique au : (800) 705-7378

Cette lampe DEL requiert peu d'entretien et ne nécessite aucun changement d'ampoule.

Gradateurs recommandés

Pour les gradateurs recommandés, consulter les notes ci-dessous.

1. Le pilote de 120 V est gradable à l'aide de la plupart des gradateurs incandescents, magnétiques à basse tension et électroniques à basse tension pour boîte murale.
2. Le pilote à tension universelle est gradable à l'aide de la plupart des gradateurs muraux 0-10 V. Consulter le schéma électrique du gradateur ou un électricien local pour raccorder le luminaire, car le raccordement des fils peut être différent.
3. Pour une liste de gradateurs compatibles, voir JUNOSLIMFORM-DIM

REMARQUE : Voir les gradateurs recommandés sur la fiche de spécifications. Les gradateurs non répertoriés sur la fiche de spécifications ne sont pas nécessairement incompatibles.

Formats de boîtiers de raccordement compatibles

Boîtier octogonal 4 po (en métal ou plastique)

Boîtier de raccordement 4 po Juno IC1JB

** Un boîtier de raccordement d'une profondeur minimale de 1 3/4 po est requis pour l'installation

** Le diamètre minimum de l'espace libre dans le boîtier de raccordement pour l'installation est de 3 po

Remarques à propos du luminaire

LES LUMINAIRES DE 120 V DOIVENT ÊTRE RACCORDÉS À UNE SOURCE D'ALIMENTATION NOMINALE DE 120 V, 60 HZ, ET LES LUMINAIRES DE 120 À 277 V À UNE SOURCE D'ALIMENTATION NOMINALE DE 120 À 277 V, 60 HZ. Tout autre raccordement annule la garantie.

Ce luminaire doit être raccordé à un boîtier de raccordement homologué UL (non fourni) correctement installé et mis à la terre et doit être installé conformément aux normes du Code national de l'électricité et aux normes et règlements de construction locaux.

Les produits assortis de l'option d'urgence ne doivent être installés que dans des emplacements humides. Les produits doivent être installés dans des emplacements humides (plafonds intérieurs couverts uniquement); combler tout espace visible entre le luminaire et la surface de montage avec un produit d'étanchéité tel que du mastic silicone.