

Atomic Alarm Clock model 13131W2



CONTENTS

| | | | |
|------------------------------|---|----------------------------|----|
| Unpacking Instructions | 2 | Using the Alarm Clock..... | 7 |
| Package Contents | 2 | Troubleshooting | 8 |
| Product Registration | 2 | Care & Maintenance..... | 9 |
| Features & Benefits..... | 3 | Specifications..... | 9 |
| Clock Setup..... | 4 | FCC Information | 9 |
| Atomic Clock..... | 5 | Customer Support..... | 10 |
| Set the Time & Date | 5 | Warranty..... | 10 |
| Placement Guidelines | 6 | | |

Questions? Contact Customer Support at (877) 221-1252 or visit www.AcuRite.com.

SAVE THIS MANUAL FOR FUTURE REFERENCE.

ACURITE®

Congratulations on your new AcuRite product. To ensure the best possible product performance, please read this manual in its entirety and retain it for future reference.

Unpacking Instructions

Remove the protective film that is applied to the LCD screen prior to using this product. Locate the tab and peel off to remove.

Package Contents

1. Alarm clock
2. Instruction Manual

IMPORTANT

PRODUCT MUST BE REGISTERED
TO RECEIVE WARRANTY SERVICE

PRODUCT REGISTRATION

Register online
to receive 1 year
warranty protection

www.AcuRite.com

OP NOW

SUPPORT

Support Forum

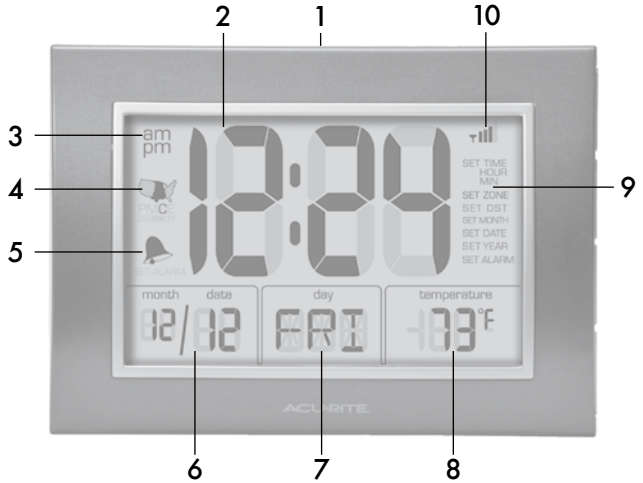
Archived Products

▶ Register a Product

Features & Benefits

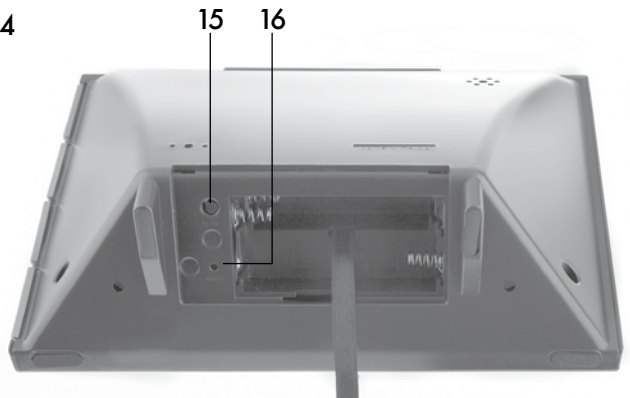
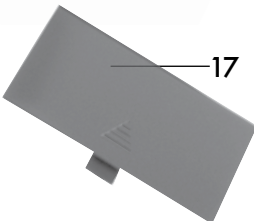
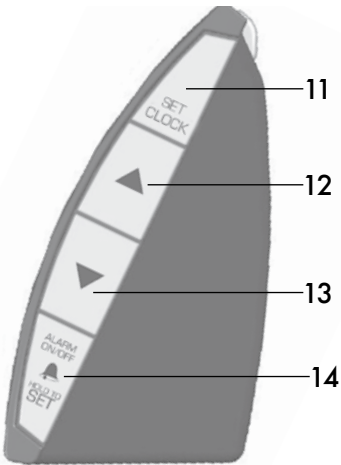
FRONT

- 1. SNOOZE/LIGHT Button**
- 2. Atomic Clock**
Sets itself to the correct time and automatically updates for Daylight Saving Time.
- 3. AM/PM Indicator**
- 4. Time Zone Indicator**
- 5. ALARM Indicator Icon**
- 6. Date**
- 7. Day of the Week**
- 8. Indoor Temperature**
- 9. Menu Selection**
- 10. Atomic Signal Strength**



SIDE/BOTTOM

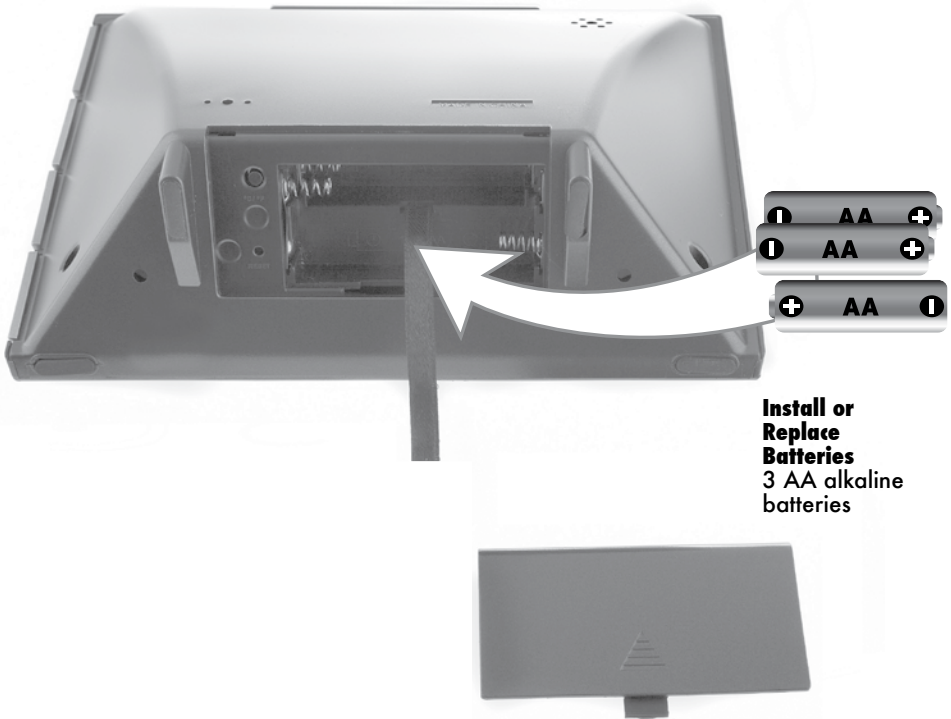
- 11. SET CLOCK Button**
- 12. "▲" Button**
- 13. "▼" Button**
- 14. ALARM ON/OFF Button**
- 15. C°/F° Button**
- 16. Reset Button**
- 17. Battery Compartment Cover**
(not shown)



Clock Setup

Install or Replace Batteries

1. Remove the battery compartment cover.
2. Insert 3 x AA alkaline batteries into the battery compartment, as shown. Follow the polarity (+/-) diagram in the battery compartment.
3. Replace the battery cover.



**Install or
Replace
Batteries**
3 AA alkaline
batteries



PLEASE DISPOSE OF OLD OR DEFECTIVE BATTERIES IN AN ENVIRONMENTALLY SAFE WAY AND IN ACCORDANCE WITH YOUR LOCAL LAWS AND REGULATIONS.

BATTERY SAFETY: Clean the battery contacts and also those of the device prior to battery installation. Remove batteries from equipment which is not to be used for an extended period of time. Follow the polarity (+/-) diagram in the battery compartment. Promptly remove dead batteries from the device. Dispose of used batteries properly. Only batteries of the same or equivalent type as recommended are to be used. DO NOT incinerate used batteries. DO NOT dispose of batteries in fire, as batteries may explode or leak. DO NOT mix old and new batteries or types of batteries (alkaline/standard). DO NOT use rechargeable batteries. DO NOT recharge non-rechargeable batteries. DO NOT short-circuit the supply terminals.

Atomic Clock (RCC)

AcuRite atomic clocks use a radio-controlled signal (RCC) to synchronize to the correct time broadcast by the National Institute of Standards and Technology (NIST) Radio Station WWVB, located near Fort Collins, Colorado. WWVB broadcasts the current time and date with split-second accuracy.

The atomic clock and calendar will maintain the correct time and date, and automatically update for Daylight Saving Time to provide the most accurate timekeeping standard possible.

Please note: Signal reception is normally better at night and when the weather is clear. The atomic signal generally takes a few hours to synchronize, so it is important to manually set the time and date after powering on the clock.

Set the Time & Date

Press and hold the "SET CLOCK" button, located on the side of the clock, to enter SET MODE. Once in SET MODE the preference you are currently setting will blink on the clock.

To adjust the currently selected (flashing) item, press and release the "▲" or "▼" buttons (press and HOLD to fast adjust).

To save your adjustments, press and release the "SET CLOCK" button to adjust the next preference. The preference set order is as follows:

TIME ZONE (PST MST CST EST AST HAST AKST)
AUTO DST ON/OFF*
CALENDAR YEAR
CALENDAR MONTH
CALENDAR DATE
CLOCK HOUR
CLOCK MINUTE

You will automatically exit SET MODE if no buttons are pressed for 45 seconds. Enter SET MODE at any time by pressing AND HOLDING the "SET CLOCK" button.

*If you live in an area that observes Daylight Saving Time, DST should be set to ON, even if it is not currently Daylight Saving Time.

Alarm Clock Placement



Place alarm clock in a dry area free of dirt and dust. To help ensure an accurate indoor temperature measurement, be sure to place the clock away from heat sources or vents.

Important Placement Guidelines

- To ensure accurate temperature measurement, place out of direct sunlight and away from any heat sources or vents.
- To maximize atomic signal reception, place unit away from large metallic items, thick walls, metal surfaces, or other objects that may limit radio communication.
- To prevent wireless interference, place unit at least 3 ft (.9 m) away from electronic devices (TV, computer, microwave, radio, etc.).

Using the Clock

Set the Alarm Time

Press AND HOLD the "ALARM ON/OFF " button for 5 seconds to enter ALARM SET MODE.

To adjust the currently selected (flashing) item, press and release the "▲" or "▼" buttons (press and HOLD to fast adjust).

To save your adjustments, press and release the "ALARM ON/OFF" button to adjust the next preference. The preference set order is as follows:

ALARM CLOCK HOUR
ALARM CLOCK MINUTE

You will automatically exit ALARM SET MODE if no buttons are pressed for 60 seconds. Enter ALARM SET MODE at any time by pressing and holding the "ALARM ON/OFF" button for 5 seconds.

Alarm Clock ON/OFF function

To Turn Alarm on: Press AND HOLD the "ALARM ON/OFF" button until the "🔔" icon and the words "ALARM ON" appear on the clock

To Turn Alarm off: Press AND HOLD "ALARM ON/OFF" Button until the "🔔" icon disappears and the words "ALARM OFF" appear on the clock.

SNOOZE function

When the alarm is sounding, press the "SNOOZE/LIGHT" button to activate the SNOOZE function for 8 minutes. After the SNOOZE function has been activated 10 times the alarm is automatically deactivated.

Momentary Backlight

Press the "SNOOZE/LIGHT" button to activate the momentary backlight for 5 seconds.

Troubleshooting

| | |
|--|---|
| Clock is too dark, hard to read or doesn't work | <ul style="list-style-type: none">• Verify that the batteries are installed correctly. Batteries may need to be replaced.• The optimum viewing angle for this product is from slightly above it.• Reset the unit by pressing the reset button, located in the battery compartment. This resets the alarm to the original factory settings. Time and date will need to be entered after a reset. |
| Inaccurate temperature | <ul style="list-style-type: none">• Verify the clock is placed out of direct sunlight and away from any heat sources or vents (see page 6). |
| Atomic signal or time syncing problems | <ul style="list-style-type: none">• For additional troubleshooting, please visit: http://www.nist.gov/pml/div688/grp40/radioclocks.cfm |

If your AcuRite product does not operate properly after trying the troubleshooting steps, visit www.AcuRite.com or call (877) 221-1252 for assistance.

Care & Maintenance

Clock Care

Clean with a soft, damp cloth. Do not use caustic cleaners or abrasives. Keep away from dust, dirt and moisture. Clean ventilation ports regularly with a gentle puff of air.

Specifications

| | |
|--------------------------|---------------------------|
| TEMPERATURE RANGE | 32°F to 99°F, 0°C to 37°C |
| POWER | 3 x AA alkaline batteries |

FCC Information

This device complies with part 15 of FCC rules. Operation is subject to the following two conditions:

- 1- This device may NOT cause harmful interference, and
- 2- This device must accept any interference received, including interference that may cause undesired operation.

WARNING: Changes or modifications to this unit not expressly approved by the party responsible for compliance could void the user's authority to operate the equipment.

NOTE: This equipment has been tested and found to comply with the limits for a Class B digital device, pursuant to Part 15 of the FCC rules. These limits are designed to provide reasonable protection against harmful interference in a residential installation. This equipment generates, uses and can radiate radio frequency energy and, if not installed and used in accordance with the instructions, may cause harmful interference to radio communications. However, There is no guarantee that interference will not occur in a particular installation. If this equipment does cause harmful interference to radio or television reception, which can be determined by turning the equipment off and on, the user is encouraged to try to correct the interference by one or more of the following measures:

- Reorient or relocate the receiving antenna.
- Increase the separation between the equipment and the receiver.
- Connect the equipment into an outlet on a circuit different from that to which the receiver is connected.
- Consult the dealer or an experienced radio/TV technician for help.

NOTE: The manufacturer is not responsible for any radio or TV interference caused by unauthorized modifications to this equipment. Such modifications could void the user authority to operate the equipment.

This device complies with Industry Canada licence-exempt RSS standard(s).

Operation is subject to the following two conditions:

- (1) This device may not cause interference, and
- (2) This device must accept any interference received, including interference that may cause undesired operation of the device.

Customer Support

AcuRite customer support is committed to providing you with best-in-class service. **For assistance**, please have the model number of this product available and contact us in any of the following ways:



(877) 221-1252



info@chaney-inst.com

24/7 support at www.AcuRite.com

- ▶ Installation Videos
- ▶ Register your Product
- ▶ Instruction Manuals
- ▶ Support User Forum
- ▶ Replacement Parts
- ▶ Submit Feedback & Ideas

IMPORTANT

PRODUCT MUST BE REGISTERED
TO RECEIVE WARRANTY SERVICE

PRODUCT REGISTRATION

Register online
to receive 1 year
warranty protection

www.AcuRite.com

PNOW

SUPPORT

Support Forum

Archived Products

▶ Register a Product

Limited One Year Warranty

At AcuRite, we proudly uphold our commitment to quality technology. Chaney Instrument Co. warrants that all products it manufactures to be of good material and workmanship, and to be free of defects when properly installed and operated for a period of one year from the date of purchase.

We recommend that you visit us at www.AcuRite.com for the fastest way to register your product. However, product registration does not eliminate the need to retain your original proof of purchase in order to obtain warranty benefits.

Chaney Instrument Co. warrants that all products it manufactures to be of good material and workmanship, and to be free of defects when properly installed and operated for a period of one year from the date of purchase. Remedy for breach of this warranty is limited to repair or replacement of the defective item(s). Any product which, under normal use and service, is proven to breach the warranty contained herein within ONE YEAR from date of sale will, upon examination by Chaney, and at its sole option, be repaired or replaced by Chaney. Transportation costs and charges for returned goods shall be paid for by the purchaser. Chaney hereby disclaims all responsibility for such transportation costs and charges. This

warranty will not be breached, and Chaney will give no credit for products it manufactures which have received normal wear and tear, been damaged (including by acts of nature), tampered, abused, improperly installed, damaged in shipping, or repaired or altered by others than authorized representatives of Chaney.

The above-described warranty is expressly in lieu of all other warranties, express or implied, and all other warranties are hereby expressly disclaimed, including without limitation the implied warranty of merchantability and the implied warranty of fitness for a particular purpose. Chaney expressly disclaims all liability for special, consequential or incidental damages, whether arising in tort or by contract from any breach of this warranty. Some states do not allow the exclusion or limitation of incidental or consequential damages, so the above limitation or exclusion may not apply to you. Chaney further disclaims all liability from personal injury relating to its products to the extent permitted by law. By acceptance of any of Chaney's products, the purchaser assumes all liability for the consequences arising from their use or misuse. No person, firm or corporation is authorized to assume for Chaney any other liability in connection with the sale of its products. Furthermore, no person, firm or corporation is authorized to modify or waive the terms of this paragraph, and the preceding paragraph, unless done in writing and signed by a duly authorized agent of Chaney. This warranty gives you specific legal rights, and you may also have other rights which vary from state to state.

For in-warranty claims: Chaney Instrument Co.
965 Wells St., Lake Geneva, WI 53147

ACURITE®



Weather
Stations



Temperature
& Humidity



Weather
Alert Radio



Kitchen
Thermometers
& Timers



Clocks

It's more than accurate, it's ACURITE®.

AcuRite offers an extensive assortment of precision instruments, designed to provide you with information you can depend on to Plan your day with confidence™.

www.AcuRite.com

©Chaney Instrument Co. All rights reserved. AcuRite is a registered trademark of the Chaney Instrument Co., Lake Geneva, WI 53147. All other trademarks and copyrights are the property of their respective owners. AcuRite uses patented technology. Visit www.AcuRite.com/patents for details.