



**Wireless Microphone User
Manual**

user ' s manual

Catalog

I. Important safety and warranty statements.....	1
II. Warranty regulations.....	1
III. Introduction to the system.....	2
IV. Wireless receiver modules.....	3
V. Hand-held transmitters.....	8
VI. Beltpack transmitters.....	9
VII. Technical specifications.....	10

I. Important safety and warranty statements

1. Before installing or using the equipment, please read these safety instructions carefully and keep them for future reference.
2. **CLEANING THE EQUIPMENT:** Before cleaning the equipment, turn off the power and wipe with a soft, dry cloth.
3. Do not use any mismatched accessory configurations without the manufacturer's approval.
4. Do not place the unit in a wet area or near hot equipment as this may cause a hazard.
5. Power supply voltage: America, Japan: AC 110V~120V 60Hz;
Eurasia: AC 220V~240V 50Hz.
6. In case of upward lightning, please unplug the power plug to protect the equipment.
7. When the equipment is not used for a long period of time, please turn off the power, preferably unplugged, and remove the batteries from the transmitter for spare use.
8. When the equipment needs maintenance or has any after-sale problems, do not disassemble it by yourself, please contact the agent or maintenance center where you purchased it.

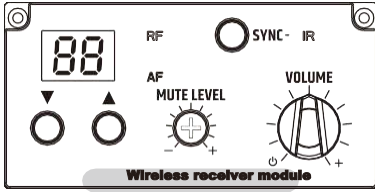
II. Warranty regulations

All products will come with an 18-month free warranty, except for human damage, such as.

- A. Equipment broken by human action.
- B. Damage to equipment due to operator mishandling.
- C. Some parts of the equipment are damaged or lost after disassembly.

In addition, we provide lifelong repair service for products outside the warranty period and for products damaged by human beings, and we only charge a reasonable fee.

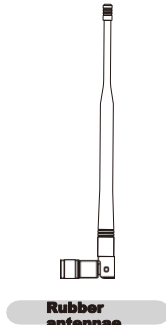
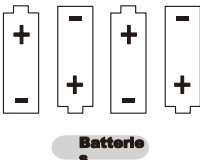
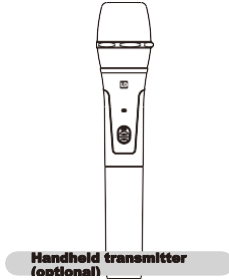
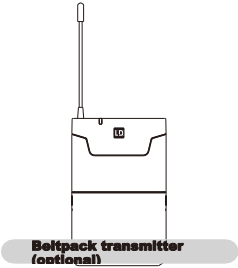
III. Introduction to the system



All systems include.

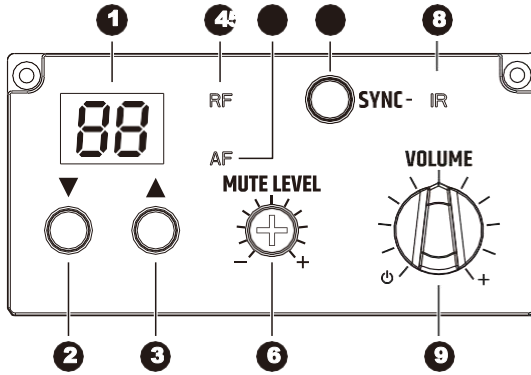
- Wireless receiver module
- handheld transmitter/beltpack transmitter (optional)
- battery
- rubber antenna
- antenna

instruction
s



IV. Wireless receiver modules

1 . Schematic diagram of the wireless receiver module, the



● **Digital channel display**

Displays the currently used channel, the

● **Press the downward button**

down to select the appropriate channel to use

● **Press the button upwards**

upwards to select the channel suitable for use

● **RF Indicator Lights**

● **Audio Indicators**

● **Squelch Adjustment**

Rotate left: longer distance, but

anti-jamming ability is normal

Rotate right: shorter distance,

but anti-jamming ability is

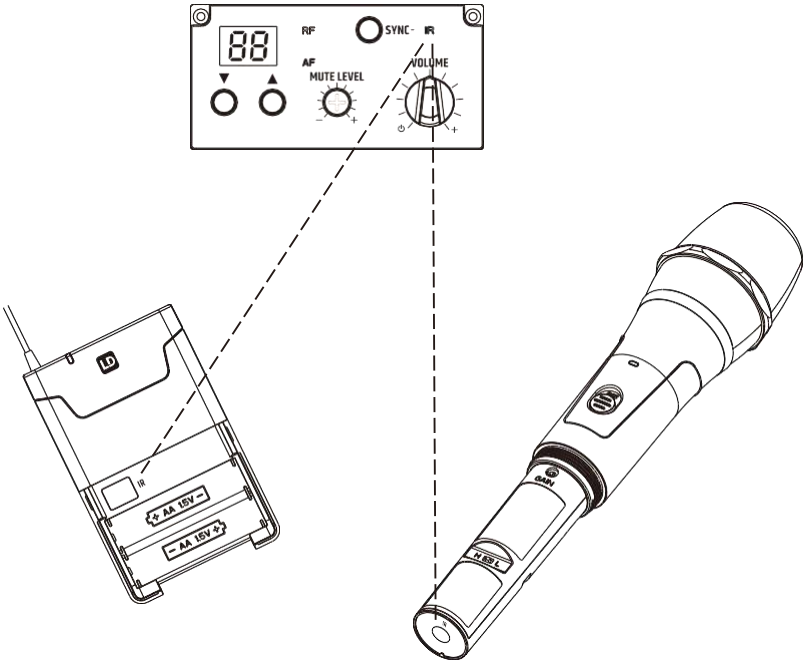
● Improved

● **Automatic frequency pairing keys**

● **Infrared counterfrequency window**

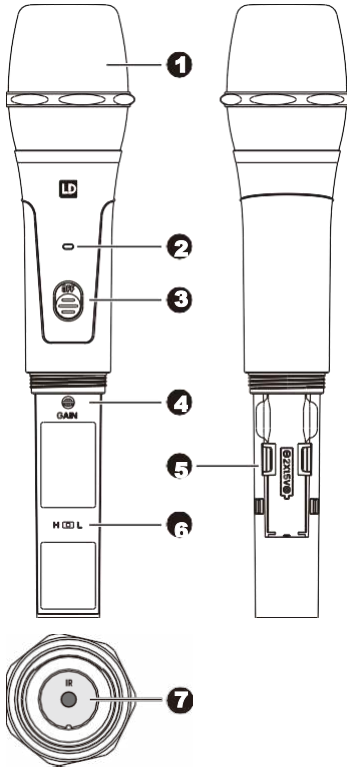
2 pairs of frequencies

On the main interface, briefly press the automatic frequency matching button to start the infrared data transmission function, and the "IR" infrared frequency matching window displays red flashing. Align the transmitter's infrared frequency matching window with the infrared frequency matching window close to the wireless receiving module, and the transmitter will automatically synchronize the wireless receiving module data, and the automatic frequency matching is completed.



V. Hand-held transmitters

1 Schematic diagram of a hand-held transmitter

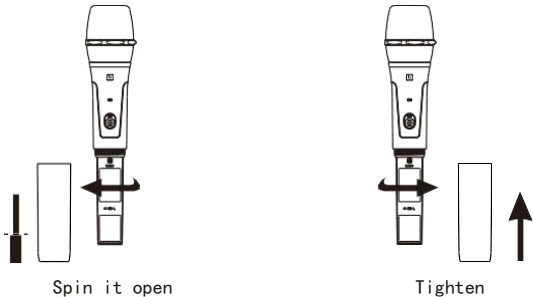


- 1 Net header**
- 2 Power/Counterpoise/Battery Low Voltage Indicator**
 Display white light is on for a long time: power indicator
 Display red light
 ● blinking: Infrared data transmission is in progress
 ● Display red light long on: Battery voltage is low, the
- 3 Power switch**
- 4 Mic Input Sensitivity Adjustment**
 ● Adjust: Rotate left: sensitivity decreases
 ● Rotate right: sensitivity increases
- 5 Battery compartment**
- 6 RF power switch "H"**
 gear: high power
 gear: "L"
 gear: low power

7 Infrared counterfrequency window

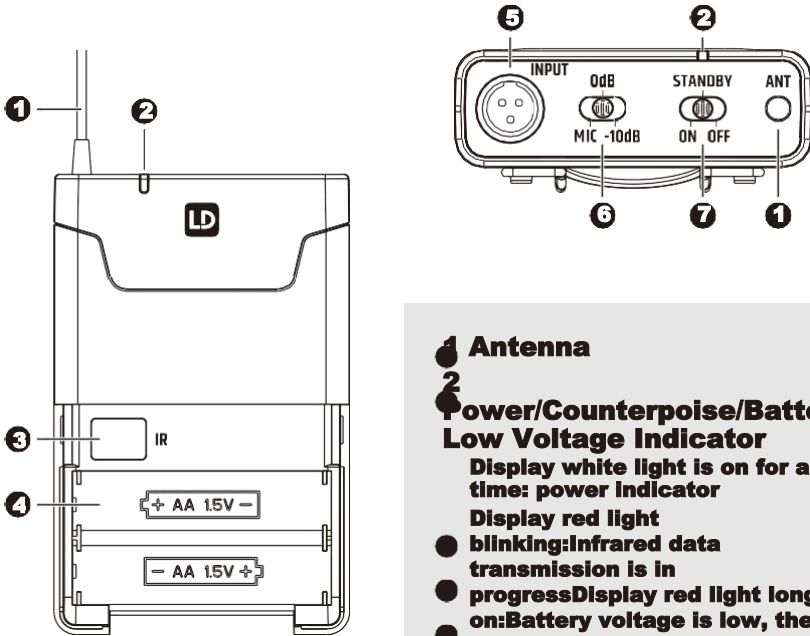
2 hand-held transmitters to replace batteries

The expected service time of the two alkaline batteries is about 8-10 hours (depending on the actual battery power); When the battery power is lower than 2 V, the indicator light of the handheld microphone will first show red light when it is turned on, and the battery should be replaced immediately. (As shown in the figure)



VI. Backpack transmitters

1. Schematic diagram of a backpack transmitter



1 Antenna

2 Power/Counterpoise/Battery Low Voltage Indicator

Display white light is on for a long time: power indicator

Display red light

● blinking: Infrared data transmission is in

● progress Display red light long on: Battery voltage is low, the

3 Infrared counterfrequency window

4 Battery compartment

5 three-pin microphone input connector

6 Adjusting the gain switch

"MIC": microphone

"0": Guitar with passive pickup

"- 10dB": Guitar with active pickup

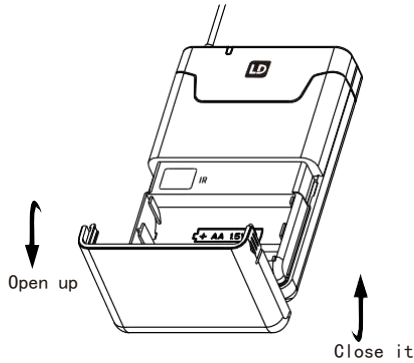
7 Power switch/mute switch "On": turn on backpack transmitter

"OFF": turn off backpack transmitter

"STANDBY": backpack transmitter standby mute state

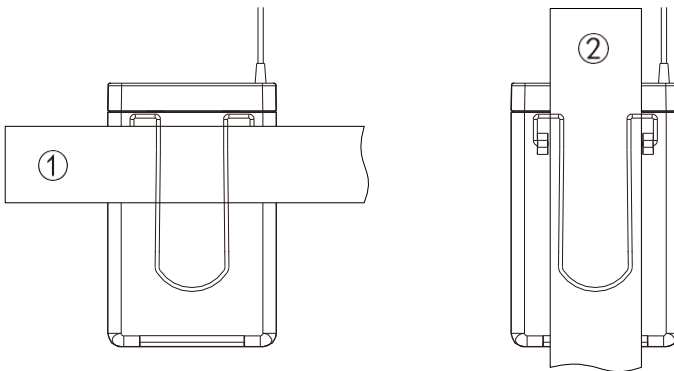
2 . Replacement batteries for beltpack transmitters

The expected service time of the two alkaline batteries is about 8-10 hours (depending on the actual battery power); When the battery power is lower than 2 V, the indicator light of the handheld microphone will first show red light when it is turned on, and the battery should be replaced immediately. (As shown in the figure)



2 . Wearing of beltpack transmitters

Attach the transmitter clip to the belt ①, or you can pass the guitar strap through the transmitter clip ② (as shown in the illustration). For best results, push the transmitter down until the strap is snug against the base of the transmitter clip ①.



VIII. Technical specifications

Wireless receiver module

frequency range	514-542MHz
Maximum number of channels	12
Receiving sensitivity	-90dBm for 30dB S/N Ra
Maximum frequency deviation	> 48KHz
Audio frequency response	70~15KHz (± 3 dB)
Distortion	<1% to 1KHz
Signal-to-noise ratio	>90dB (A-weighted)
gain adjustment range	$-\infty \sim 0$ dB
Dimension (mm)	72.8x39.2x125.3mm
Weight	86 grams

hand-held transmitters

frequency range	514-542MHz
Maximum number of channels	12
Output power	10.459dBm
Harmonic Suppression	> 50dBc
Maximum modulation depth	>40KHz
Audio frequency response	70~15KHz (± 3 dB)
Distortion	<1% to 1KHz
Signal-to-noise ratio	>90dB (A-weighted)
gain adjustment range	7~20dB
LOW BATT value	1.9~2.1V
Dimensions (including microphone head)	265.5x51.8mm dia
Weight	190g (without battery)

Beltpack transmitter

frequency range	514-542MHz
Maximum number of channels	12
Output power	10.459dBm
Harmonic Suppression	> 50dBc
Maximum modulation depth	>40KHz
Audio frequency response	70~15KHz (±3dB)
Distortion	<1% to 1KHz
Signal-to-noise ratio	>90dB (A-weighted)
gain adjustment range	MIC/0dB/-10dB
LOW BATT value	1.9~2.1V
Dimensions (without antenna)	64x104.5x26.5mm
Weight	75g (without battery)

FCC Caution.

This device complies with part 15 of the FCC Rules. Operation is subject to the following two conditions:

- (1) This device may not cause harmful interference, and
- (2) this device must accept any interference received, including interference that may cause undesired operation.

Any Changes or modifications not expressly approved by the party responsible for compliance could void the user's authority to operate the equipment.

Note: This equipment has been tested and found to comply with the limits for a Class B digital device, pursuant to part 15 of the FCC Rules. These limits are designed to provide reasonable protection against harmful interference in a residential installation. This equipment generates uses and can radiate radio frequency energy and, if not installed and used in accordance with the instructions, may cause harmful interference to radio communications. However, there is no guarantee that interference will not occur in a particular installation. If this equipment does cause harmful interference to radio or television reception, which can be determined by turning the equipment off and on, the user is encouraged to try to correct the interference by one or more of the following measures:

- Reorient or relocate the receiving antenna.
- Increase the separation between the equipment and receiver.
- Connect the equipment into an outlet on a circuit different from that to which the receiver is connected.
- Consult the dealer or an experienced radio/TV technician for help.

FCC Radiation Exposure Statement:

The device has been evaluated to meet general RF exposure requirement. The device can be used in portable exposure condition without restriction.

IC Warning

This device complies with Industry Canada licence-exempt RSS standard(s).

Operation is subject to the following two conditions:

- (1) This device may not cause interference, and
- (2) This device must accept any interference, including interference that may cause undesired operation of the device.

Le présent appareil est conforme aux CNR d'Industrie Canada applicables aux appareils radio exempts de licence. L'exploitation est autorisée aux deux conditions suivantes:

- (1) l'appareil ne doit pas produire de brouillage, et
- (2) l'utilisateur de l'appareil doit accepter tout brouillage radioélectrique subi, même si le brouillage est susceptible d'en compromettre le fonctionnement

RF warning for Portable device:

The device has been evaluated to meet general RF exposure requirement. The device can be used in portable exposure condition without restriction.

L' appareil a été évalué pour répondre aux exigences générales en matière d' exposition aux RF.

L' appareil peut être utilisé en condition d' exposition portable sans restriction.

This device operates on a no-interference, no-protection basis. Should the user seek to obtain protection from other radioservices operating in the same TV bands, a radio licence is required. For further details, consult Innovation, science and Economic Development Canada's Client Procedures Circular CPC-2-1-28, Voluntary Licensing of Licence-Exempt Wireless Microphones in the TV Bands.

