



User manual

FERREX[®]

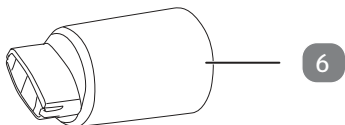
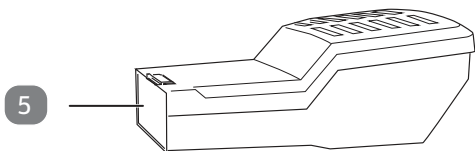
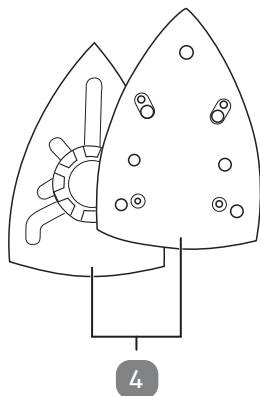
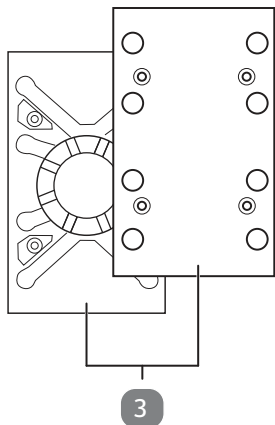
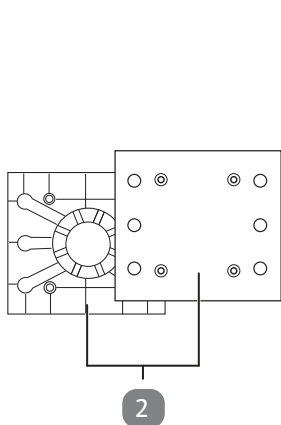
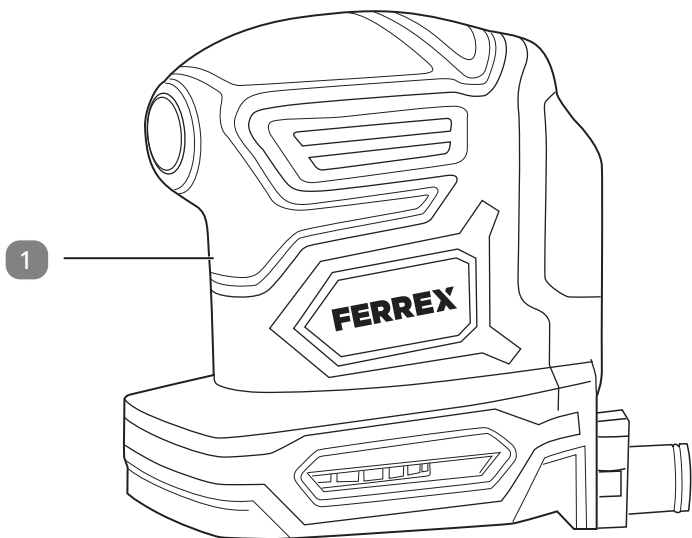
20 V LI-ION CORDLESS

3 IN 1 MULTI SANDER

FASS 20-I



Original instructions



Contents

- 1 Finishing sander
- 2 Square sanding plate (consisting of base plate and hook-and-loop fastener plate)
- 3 Rectangular sanding plate (consisting of base plate and hook-and-loop fastener plate)
- 4 Triangular sanding plate (consisting of base plate and hook-and-loop fastener plate)
- 5 Dust container
- 6 Vacuum adapter

Supplied connecting elements

- 7 Fastening screw (with snap ring, not shown), 4×

Required tools (not included)

- 8 Cross-head screwdriver



Table of contents

Contents	3
Supplied connecting elements	3
Required tools (not included)	3
General information	5
Reading and storing the user manual	5
Proper use	5
Residual risks	6
Explanation of symbols	6
Safety	7
Explanation of notes	7
General power tool safety instructions	7
Supplementary safety instructions	11
Product description	16
First use	17
Checking the product and package contents	17
Use	17
Changing the sanding plate	17
Attaching/detaching dust container	18
Using a vacuum adapter	19
Attaching/detaching an external dust extraction device	19
Inserting the battery	20
Extracting the battery	21
Attaching/replacing sanding sheet	21
Clamping the sandpaper	23
Switching on and off	23
Faults and troubleshooting	25
Cleaning and maintenance	26
Cleaning	27
Maintenance and care	27
Storage	27
Transport	27
Technical data	28
Battery and charger information	28
Noise/vibration information	29
Disposal	31
Disposing of the packaging	31
Disposing of the product	31
Declaration of conformity	32

General information

Reading and storing the user manual



This user manual accompanies this 20 V Li-Ion cordless 3 in 1 multi sander FASS 20-I (referred to below only as the “product”). It contains important information on safety, usage and care.

Before using the product, read the user manual carefully. Pay particular attention to the safety notes and warnings. Failure to comply with the instructions in this user manual may result in severe injury or damage to the product.

Comply with valid local or national provisions concerning the use of this product. Keep this user manual in a safe place for future reference. Make sure to include this user manual when passing the product on to third parties.

Proper use

The product is only intended for private use – such as hobby or do-it-yourself work – when undertaking the following:

- for surface sanding of wood, metal, plaster or filler surfaces,
- for sanding off old coatings,
- intermediate sanding of lacquer surfaces,
- for removing rust from metal surfaces.

Any other applications are expressly prohibited and are deemed improper use.

Neither the manufacturer nor the retailer can accept any responsibility for injury, loss or damage of any kind caused by misuse of this product. Examples of misuse are given in the following non-exhaustive list:

- Using the product for other purposes other than those intended;
- Failure to observe the safety notes and warnings as well as the assembly, operating, maintenance and cleaning instructions contained in this user manual;
- Failure to comply with any regulations relating to accident prevention, occupational health or safety, which specifically and/or generally apply to the use of the product;
- Use of accessories and spare parts not intended for the product;
- Changes to the product;
- Product repairs performed by parties other than the manufacturer or a qualified professional;
- Use of the product for commercial, artisan or industrial purposes;
- Operation or maintenance of the product by persons not familiar with how to handle the product and/or who are not aware of the related risks.

Residual risks

Despite proper use, inconspicuous residual risks cannot be completely ruled out.

The following risks may arise due to the design of the product:

- Touching the running sanding sheet (abrasion injury);
- Kickback of the workpiece and parts of the workpiece if used improperly;
- Injury caused by projected workpieces or parts of workpieces;
- Fire hazard due to blocked ventilation slots.

Explanation of symbols

The following symbols are used in this user manual, on the product or on the packaging.



This symbol provides you with useful supplementary information on assembly or operation.



Declaration of conformity (see chapter “Declaration of conformity”): Products marked with this symbol meet all applicable Community regulations for the European Economic Area.



Read the user manual.



Wear protective goggles.



Wear a dust mask.



Wear ear protection.



Wear suitable protective gloves.

Safety

Explanation of notes

The following symbols and signal words are used in this user manual.



Indicates a hazardous situation that, if not avoided, could result in death or serious injury.



Designates a dangerous situation that may result in minor or moderate injury if not avoided.

NOTICE!

Warns against potential damages to property.

General power tool safety instructions

⚠ WARNING Read all the safety notes, instructions, illustrations and technical details supplied with this power tool. Failure to follow the safety notices and instructions may result in an electric shock, fire and/or severe injury.

Save all warnings and instructions for future reference.

The term “power tool” used in the safety instructions refers to mains-operated power tools (corded) and battery-powered power tools (cordless).

Work area safety

- a) **Keep your work area clean and well lit.** *Cluttered or dark areas invite accidents.*
- b) **Do not operate power tools in explosive atmospheres, such as in the presence of flammable liquids, gases or dust.** *Power tools create sparks which may ignite the dust or fumes.*
- c) **Keep children and bystanders away while operating a power tool.** *If you are distracted, you could lose control of the power tool.*

Electrical safety

- a) **Power tool plugs must match the outlet. Never modify the plug in any way. Do not use any adapter plugs with earthed (grounded) power tools.** *Unmodified plugs and matching outlets will reduce risk of electric shock.*
- b) **Avoid body contact with earthed or grounded surfaces, such as pipes, radiators, ranges and refrigerators.** *There is an increased risk of electric shock if your body is earthed or grounded.*
- c) **Do not expose power tools to rain or wet conditions.** *Water entering a power tool will increase the risk of electric shock.*
- d) **Do not use the cord for improper purposes such as for carrying the power tool, for hanging it up or for pulling or unplugging it from the socket. Keep cord away from heat, oil, sharp edges and moving parts.** *Damaged or entangled cords increase the risk of electric shock.*
- e) **When operating a power tool outdoors, use only extension cords that are suitable for outdoor use.** *Use of a cord suitable for outdoor use reduces the risk of electric shock.*
- f) **If operating a power tool in a damp location is unavoidable, use a residual current device (RCD) protected supply.** *Use of an RCD reduces the risk of electric shock.*

Personal safety

- a) **Stay alert, watch what you are doing and use common sense when operating a power tool. Do not use a power tool while you are tired or under the influence of drugs, alcohol or medication.** *A moment of inattention while operating power tools may result in serious personal injury.*
- b) **Use personal protective equipment. Always wear eye protection.** *Protective equipment such as dust mask, non-skid safety shoes, hard hat, or hearing protection used for appropriate conditions will reduce personal injuries.*
- c) **Prevent unintentional starting. Ensure the switch is in the off-position before connecting to power source and/or battery pack, picking up or carrying the tool.** *Carrying power tools with your finger on the switch or connecting the power tool to a power supply while the switch is set to "on" may lead to accidents.*

- d) **Remove any adjusting key or wrench before turning the power tool on.** *A wrench or a key left attached to a rotating part of the power tool may result in personal injury.*
- e) **Take care to keep a normal body position. Maintain a stable stance and balance at all times.** *This enables better control of the power tool in unexpected situations.*
- f) **Dress properly. Do not wear loose clothing or jewellery. Keep your hair and clothing away from moving parts.** *Loose clothes, jewellery or long hair can be caught in moving parts.*
- g) **If there is an option for installing dust suction devices and dust containers, these should be attached and used correctly.** *Use of dust collection can reduce dust-related hazards.*
- h) **Do not be lulled into a false sense of security and ignore the safety rules for power tools, even if you are well acquainted with power tools, having used them frequently.** *Using power tools without due care and attention can cause serious injuries in a split second.*

Power tool use and care

- a) **Do not overload the power tool. Use the correct power tool for your application.** *The correct power tool will do the job better and safer at the rate for which it was designed.*
- b) **Do not use the power tool if the switch does not turn it on and off.** *Any power tool that cannot be controlled with the switch is dangerous and must be repaired.*
- c) **Disconnect the plug from the power source and/or remove the rechargeable battery from the power tool before making any adjustments, changing insertion tools or storing the power tool.** *Such preventive safety measures reduce the risk of starting the power tool accidentally.*
- d) **Store idle power tools out of the reach of children. Do not let any individual who is not familiar with the power tool or who has not read these instructions operate this power tool.** *Power tools are dangerous in the hands of untrained users.*
- e) **Maintain power tools and insertion tools with care. Check for misalignment or binding of moving parts, breakage of parts and any other condition that may affect the power tool's operation. If any**

parts of the power tool are damaged, have them repaired before use. *Many accidents are caused by poorly maintained power tools.*

- f) **Keep cutting tools sharp and clean.** *Properly maintained cutting tools with sharp cutting edges are less likely to bind and are easier to control.*
- g) **Use the power tool, accessories and fitted tools etc. in accordance with these instructions, taking into account the working conditions and the work to be performed.** *Use of the power tool for operations different from those intended could result in a hazardous situation.*
- h) **Keep handles and handle surfaces dry, clean and free from oil and grease.** *Slippery handles and handle surfaces will prevent you from operating and controlling the power tools safely in unforeseen situations.*

Cordless tool use and care

- a) **Only charge the rechargeable batteries with chargers recommended by the manufacturer.** *Chargers designed for a particular rechargeable battery type pose a risk of fire if used with other types of rechargeable battery.*
- b) **Only use the rechargeable batteries designated for use in power tools.** *Using other rechargeable batteries may result in injury and a risk of fire.*
- c) **Keep the unused rechargeable battery away from paper clips, coins, keys, nails, screws or other small metallic objects that could bridge the contacts.** *A short circuit between the contacts of the rechargeable battery could result in burns or fire.*
- d) **If used improperly, liquid may leak out of the rechargeable battery. Avoid coming into contact with it. Rinse with water in the event of accidental contact. If liquid comes into contact with your eyes, also seek medical attention.** *Fluid leaked from the rechargeable battery may cause skin irritations or burns.*
- e) **Do not use a damaged or modified rechargeable battery.** *Damaged or modified rechargeable batteries can be unpredictable and may result in fire, an explosion or a risk of injury.*

- f) **Do not expose a rechargeable battery to fire or excessively high temperatures.** *Fire or temperatures above 130 °C may cause an explosion.*
- g) **Follow all instructions for charging and never charge the battery or cordless tool outside of the temperature range indicated in the user manual.** *Improper charging or charging outside of the permitted temperature range may damage the battery and increase the risk of fire.*

Service

- a) **Have your power tool serviced by a qualified repair person using only identical replacement parts.** *This will ensure that the safety of the power tool is maintained.*
- b) **Never perform maintenance on damaged rechargeable batteries.** *Only the manufacturer or authorised service companies may perform maintenance on rechargeable batteries.*

Supplementary safety instructions



Risk of injury!

This product is not intended to be used by persons with impaired physical, sensory or mental abilities or who lack experience and/or knowledge, unless they are supervised by a person responsible for their safety or are instructed by such a person on the use of the device.

- Supervise children to ensure that they do not play with the product.
- Do not let children play with the packaging wrapper. They may get caught in it when playing and suffocate.



Risk of injury!

Improper handling of the product can lead to injury.

- Use the product for dry sanding work only.

- Use the correct size of sanding sheet and follow the manufacturer's instructions for selecting them. Sanding sheets that protrude beyond the sanding disc can cause injuries as well as hooking and tearing of the sanding sheets, and kickback.
- Do not use accessories that are not meant for the product. Merely attaching accessories to the product firmly is no guarantee for safe use.
- When working with it, always grip the product with both hands and assume a stable posture.
- Use clamping devices to secure the workpiece against slipping.
- Always switch on the product before guiding it towards the workpiece.
- Avoid skin contact with the rotating sanding sheet. Protective gloves give the best protection.
- Do not apply excessive pressure to the product, as this may cause the sanding sheet to stop rotating.
- When you are not using the product, or when cleaning it, servicing it, replacing parts or in the event of a fault, always switch the product off and remove the rechargeable battery.
- After completing operation, always wait for all moving parts to come to a complete standstill.
- Never allow the product to run while you are carrying it.
- Do not use the product near combustible materials. Sparks could ignite these materials.
- Do not grind metals with a magnesium content greater than 60 %. This is a fire hazard.
- Let the product cool down after use before touching it.



Risk of injury!

Rechargeable batteries may contain flammable substances. If batteries are handled improperly they may leak, become very hot, catch fire or explode under certain circumstances. Improper handling may result in serious injury.

- Do not short-circuit rechargeable batteries. Keep rechargeable batteries away from metal objects to avoid short circuits. Ideally store the rechargeable batteries in their original packaging.

- Make sure that the polarity is correct when inserting the rechargeable batteries.
- Do not heat the rechargeable batteries and do not throw them in an open fire.
- Never expose the rechargeable batteries and the product to direct sunlight.
- Only replace the rechargeable batteries with the same type or an equivalent rechargeable battery type. Refer to the chapter “Technical Data”.
- Do not disassemble or modify rechargeable batteries.
- Do not subject rechargeable batteries to mechanical shocks, do not crush or deform them, and do not drill into them.
- Stop using the rechargeable batteries if they are damaged.
- Rechargeable batteries must not be reactivated by any other means.
- Metallic lithium can lead to fire when it comes into contact with water. Do not allow the contents of lithium batteries to come into contact with water.
- Remove rechargeable batteries from the product before charging them.
- Keep unused rechargeable batteries out of the reach of children. If children or pets swallow rechargeable batteries, immediately contact a physician.
- Do not allow battery acid to come into contact with skin, eyes or mucus membranes. In the event of contact with battery acid, immediately flush the affected area with clean water and consult a physician immediately.



Health hazard!

Under certain circumstances, the electromagnetic field that occurs during operation may affect active or passive medical implants.

- Consult your doctor or the manufacturer of the medical implant before using the product.



Health hazard!

Various grinding dusts can be carcinogenic or lead to lung damage or skin reactions.

- Do not process any materials that are hazardous to health (e.g. work-pieces containing asbestos or paints containing lead).
- Do not inhale the grinding dust.
- Wear a respirator mask.
- Always use the dust container or an external dust extraction device.
- Wear suitable personal protective gear.



Hearing damage!

You may damage your hearing if you use the product over a longer period of time.

- Wear ear protection.



Danger to health!

You may damage your health if you use the product over a longer period of time due to the hand-arm vibration.

- Wear vibration-reducing gloves.

NOTICE!**Risk of damage!**

Improper handling of the product can damage the product.

- Only use sanding sheets that are in perfect condition.
- Do not try to slow down the sanding disc by applying pressure to the product.
- Keep the product away from dampness and moisture. Do not use the product in a damp environment.
- Read and follow the instructions in the user manual for the battery and charger used.
- Take the rechargeable batteries out of the battery holder when they are drained or when the product is not being used for an extended time. This avoids damage that could be caused by battery leakage.
- Do not expose the batteries to extreme conditions by, for example, placing them on radiators or exposing them to direct sunlight.
- If necessary, clean the contacts of the rechargeable battery and device before inserting them, e.g. with a piece of emery cloth.
- Do not clean the product with aggressive solvents.

Product description

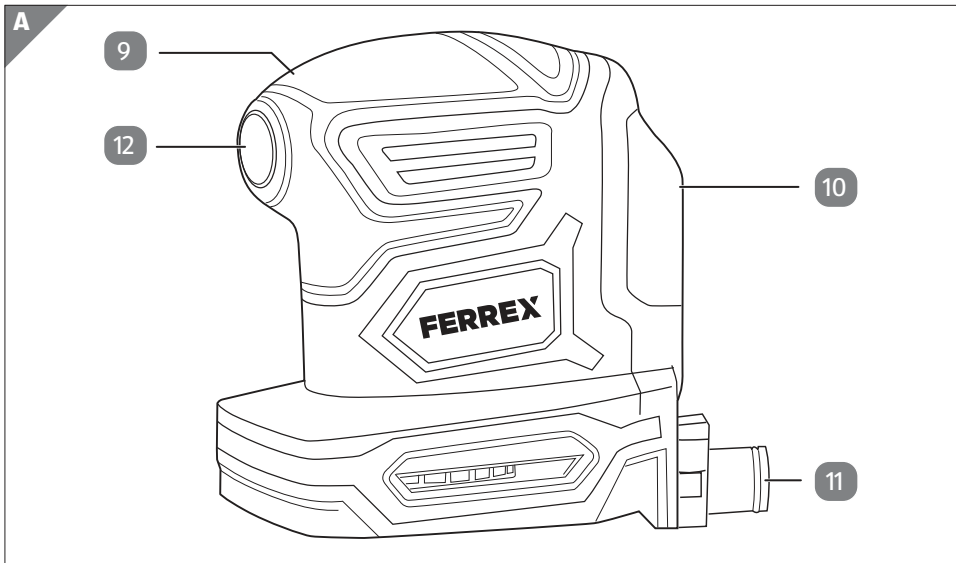
The product is a handheld 3 in 1 multi sander **1** for sanding wood, metal, plaster, filler or lacquered surfaces. To sand the surfaces, the sanding plate **2/3/4** rotates with a circular motion.

The package contents includes three different sanding plates for various surfaces, which can be attached to the basic unit **9** as desired and screwed into place using the enclosed fastening screws **7**. Each sanding plate consists of a base plate and a hook-and-loop fastener plate.

The sanding sheet **17** best suited for the respective work and material is clamped to the sanding plate. Any commercially available sanding sheet of the appropriate shape and dimensions can be used. Alternatively, sanding paper can also be used. The sandpaper can be clamped down with the corresponding clamping bars.

The product consists of a dust-protected on/off switch **12** for switching the product on and off and a connecting nozzle **11** for connecting the dust container **5** or the vacuum adapter **6**. The vacuum adapter is used to connect an external dust extraction device (e.g. a vacuum cleaner).

The product is battery-operated. Compatible Activ Energy rechargeable batteries can be connected to the battery holder **10** of the product.



9 Basic unit

11 Connecting nozzle

10 Battery holder

12 On/Off switch

First use

Checking the product and package contents

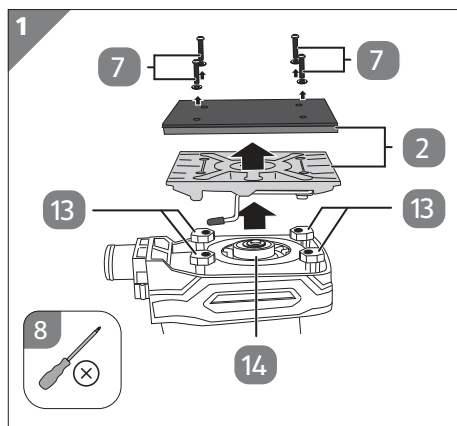
1. Lift the product out of the packaging with both hands.
2. Place the product on a level, stable base, such as a workbench.
3. Check whether the product or the individual parts are damaged. If this is the case, do not use the product. Please contact your local branch.
4. Check to make sure that all parts are included (see chapter “Contents”).

Use

Changing the sanding plate

The square sanding plate **2** comes pre-assembled on delivery. The square sanding plate can be exchanged for one of the other two sanding plates.

Dismounting the sanding plate



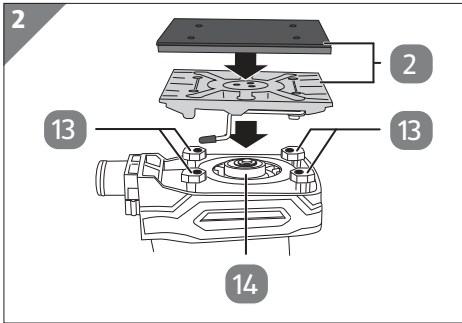
1. Release the 4 fastening screws **7**. Use a cross-head screwdriver to do so **8** (see **Fig. 1**).
2. Pull the square sanding plate **2** off the central base **14** and the retaining pins **13**.

The square sanding plate is now dismantled.

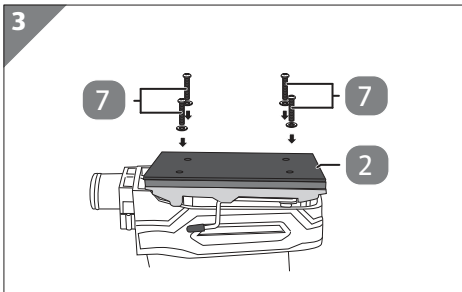
13 Retaining pin (with internal thread)

14 Central base

Mounting the sanding plate



3. To mount a sanding plate (e.g. the square sanding plate **2**), place the sanding plate on the central base **14** and the retaining pins **13** (see **Fig. 2**).



4. Guide the fastening screws **7** through the screw holes of the square sanding plate **2**. Make sure that the fastening screws engage in the internal threads of the retaining pins **13** (see **Fig. 3**).

5. Tighten the fastening screws firmly. Use a cross-head screwdriver to do so **8**.

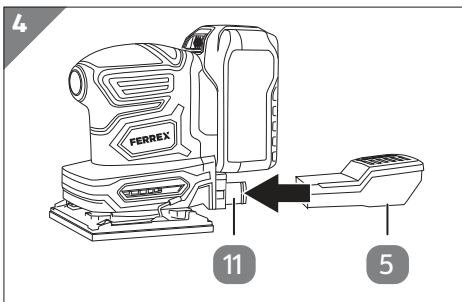
Attaching/detaching dust container



Health hazard!

Various grinding dusts can be carcinogenic or lead to lung damage or skin reactions.

– Always use the dust container or an external dust extraction device.

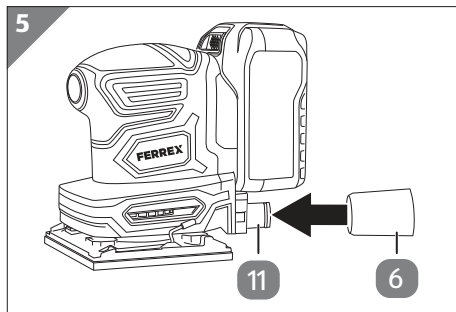


– To attach the dust container **5**, attach it to the connecting nozzle **11** (see **Fig. 4**).

– To remove the dust container, pull it off the connecting nozzle.

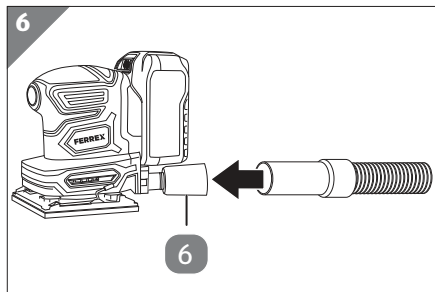
Using a vacuum adapter

Attaching/detaching vacuum adapter



- To attach the vacuum adapter **6**, attach it to the connecting nozzle **11** (see **Fig. 5**).
- To remove the vacuum adapter, pull it off the connecting nozzle.

Attaching/detaching an external dust extraction device



- To connect an external dust extraction device, plug the hose of the device onto the vacuum adapter **6** (see **Fig. 6**).
- To disconnect from the external dust extraction device, pull the hose of the device off the vacuum adapter.

Inserting the battery



Risk of explosion and fire!

If batteries are handled incorrectly they may cause an explosion or a fire due to reversed polarity or a short circuit.

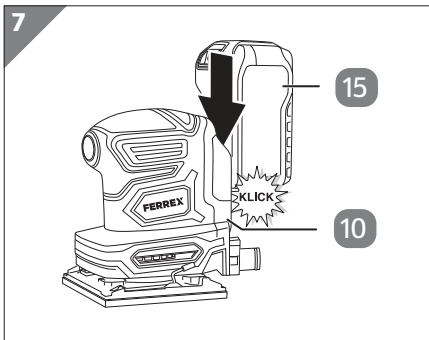
- Insert the battery correctly in the product.
- Do not use damaged batteries.

NOTICE!

Risk of damage!

Using the wrong batteries, handling them incorrectly, or inserting a battery incorrectly may damage the product.

- Use only the supplied rechargeable battery or batteries of identical design that have been approved by the manufacturer.



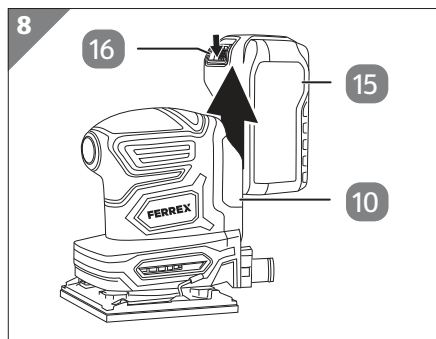
1. Place the rechargeable battery **15** on the upper edge of the battery holder **10** and push it along the guide into the battery holder until it audibly clicks into place (see **Fig. 7**).

2. Check that the battery is positioned securely.

The battery is now inserted.

- 15** Rechargeable battery (not included)

Extracting the battery



1. Press the release button **16** of the inserted rechargeable battery **15** and keep it pressed down (see **Fig. 8**).
2. Pull the battery out of the holder **10**.
The battery is now extracted.

16 Release button



If the battery cannot be removed easily, this means that the release button has not been pressed with enough force. Press the release button on the battery more firmly.

Attaching/replacing sanding sheet



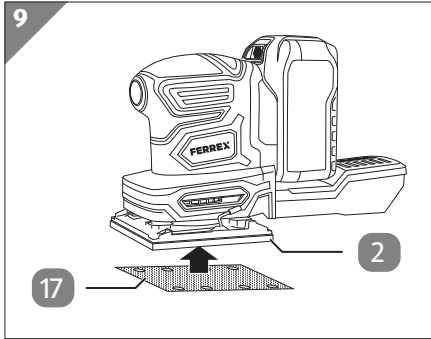
Risk of injury!

Improper handling of the product can lead to injury.

- When attaching/replacing the sanding sheet, always switch the product off and remove the rechargeable battery.
- Use only sanding sheets that correspond to the edge lengths of the respective sanding plate.
- Use only sandpaper whose width corresponds to the width of the sanding plate. If necessary, cut the sandpaper to size.
- If you use sandpaper, punch holes in it for the dust extraction.
- Make sure that the dust extraction openings of the sanding sheet or sanding paper and the sanding plate match up with each other.

This chapter explains how to attach a sanding sheet, using the square sanding plate as an example **2**.

1. Make sure that the product is switched off and also remove the rechargeable battery from the product.
2. If a sanding sheet is already attached to the sanding plate, lift the sanding sheet at the side and take it off.
3. If necessary, clean the hook-and-loop fastener surface of the sanding plate.



4. Set the new sanding sheet **17** in the middle of the square sanding plate **2** and press it carefully on. Make sure that the dust extraction openings of the sanding sheet and the square sanding plate match up with each other (see **Fig. 9**).

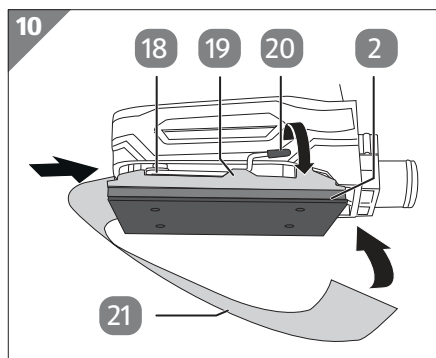
The sanding sheet is now attached (or has been changed).

17 Sanding sheet (not included)

Clamping the sandpaper

This chapter explains how to attach sandpaper to the square sanding plate. The square sanding plate is the only one of the three sanding plates that has clamping bars for clamping sandpaper.

1. Punch holes into the sandpaper for the dust extraction.

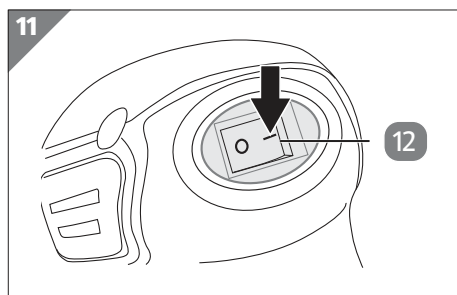


- 18 Front clamping bar
- 19 Lateral limiter, 2x
- 20 Clamping lever, 2x
- 21 Sandpaper (not included)
- 22 Rear clamping bar (not shown)

2. Unhook the front clamping bar 18. To unhook the front clamping bar, lift the clamping levers 20 on both sides of the product and guide the front clamping bar over the lateral limiters 19 (see Fig. 10).
3. Slide the front end of the sandpaper 21 under the front clamping bar.
4. To fix the front end of the sandpaper, hook the front clamping bar back into place.
5. Stretch the sandpaper tightly over the square sanding plate 2 and clamp the rear end of the sandpaper under the rear clamping bar 22.

The sandpaper is now clamped.

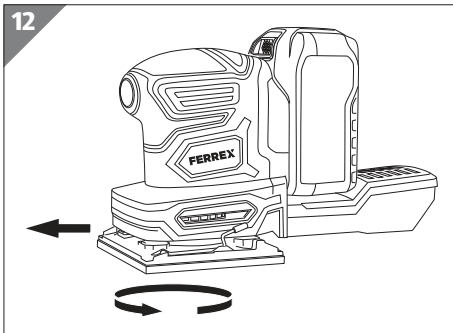
Switching on and off



- To switch the product on, press the on/off switch 12 on the side marked with the symbol "I" (see Fig. 11).
- To switch the product off, press the on/off switch on the side marked with the symbol "0".

Sanding

1. Attach a sanding sheet (17) to the sanding plate (2)/(3)/(4) as described in the chapter “Attaching/replacing sanding sheet”. Make sure that the sanding sheet is suitable for the respective workpiece. Alternatively, you can also use sandpaper. Attach the sandpaper (4) as described in the chapter “Clamping the sandpaper”.
2. Insert a rechargeable battery (15) as described in the chapter “Inserting the rechargeable battery”.
3. Switch the product on as described in the chapter “Switching the product on and off”. The product will now run.
4. Bring the product up to the workpiece and place the sanding plate with its entire surface on the workpiece.



5. To sand the workpiece surface, run the product over the workpiece in circular motions. When doing so, move the product alternately transversely and longitudinally (see Fig. 12). To achieve an even sanding pattern, be sure to apply even contact pressure.

6. After finishing the sanding, switch off the product. The product will continue to move. Do not put down the product while it is coming to a stop. Hold the product steady and wait until the sanding plate comes to a complete stop. Only then can you put the product down. The sanding is now complete.



- Always start with the rough sanding. Use a coarser sanding sheet for this purpose. Use increasingly finer sanding sheets for the following sanding cycles.
- The sanding result depends on the grit of the sanding sheet, the speed of rotation, and the contact pressure. When using a fine-grained sanding sheet and a lower speed of rotation, you will achieve a finer sanding pattern, while a higher speed and a lower contact pressure will result in a higher sanding removal.

Faults and troubleshooting

Problem	Possible causes	Solution
The product will not start.	The rechargeable battery 15 has been drained.	Insert a charged battery.
	The battery is not correctly inserted in the battery holder 10 .	Insert the battery correctly into the battery holder.
	Too much pressure is being applied to the product, which blocks the oscillating movement of the sanding plate 2 / 3 / 4 .	Reduce pressure on the product.
The sanding performance is poor.	The sanding sheet 17 or sandpaper 21 is worn out.	Use a new sanding sheet or sandpaper.
	The sanding sheet or sandpaper is unsuitable for the respective working material.	Use a suitable sanding sheet.
The sanding sheet does not adhere to the sanding plate.	The hook-and-loop fastener surfaces of the sanding plate or sanding sheet are dirty.	Clean the hook-and-loop fastener surfaces.
The sanding dust is not being extracted.	The extraction openings of the sanding plate are covered by the sanding sheet or sandpaper.	Attach the sanding sheet so that the openings in the sanding sheet and the extraction openings of the sanding plate match up with each other.
		Punch holes in the sandpaper and place the sandpaper such that the openings in the sandpaper and the extraction openings of the sanding plate match up with each other.

Cleaning and maintenance



WARNING!

Risk of injury!

Accidentally starting the product may result in severe injury.

- Remove the rechargeable battery before carrying out maintenance or cleaning tasks.



WARNING!

Risk of injury!

Improper handling may result in severe injury.

- Wear suitable protective gloves.

NOTICE!

Risk of damage!

Water or other liquids that have penetrated the housing may cause a short circuit.

- Never submerge the product in water or other liquids.
- Make sure that no water or other liquids get into the housing.

NOTICE!

Risk of damage!

Improper handling of the product can damage the product.

- Do not use any aggressive cleaners, brushes with metal or nylon bristles, or sharp or metallic cleaning utensils such as knives, hard scrapers, etc. They could damage the surfaces.

Cleaning

- Empty the dust container **5** after every use.
Be careful not to inhale any sanding dust.
- Clean the product after each use.
- Use a soft cloth or brush to clean the housing.
- Clean the vents and the area around the sanding plate **2/3/4** as well.
- Remove dust by blowing it out with compressed air.

Maintenance and care

Check the condition of the product regularly. Among other things, check to make sure:

- that the on/off switch **12** is not damaged,
- that the sanding plates **2/3/4** are in proper condition,
- that the accessories are in proper condition,
- the battery holder **10** is undamaged and clean,
- the vents are unobstructed and clean. If applicable, use a soft brush to clean them.

If you identify any damage, you must have it repaired by a specialist workshop to prevent risks.

Storage

1. Clean the product thoroughly prior to storage (see chapter “Cleaning”).
2. If possible, store the clean product and the accessories in the original packaging.

Transport

- Always hold the product only by the grip areas when carrying it.
- Switch off the product and remove the rechargeable battery **15** when transporting the product.
- Secure the product to prevent it from slipping when transporting it in a vehicle.
- If possible, use the original packaging for transport.

Technical data

Product code:	819084
Model:	FASS 20-I/WU5455703/WU5455704
Supply voltage:	20 V ===
Idle speed:	12,000 min ⁻¹
Rectangular sanding plate:	128 × 78 mm
Square sanding plate:	110 × 100 mm
Triangular sanding plate:	149 × 149 x 99 mm

Battery and charger information

Use the product only in combination with Activ Energy® batteries and chargers with the following model designations:

Suitable for Activ Energy®

Rechargeable battery models: AEB 20-2.0/2, AEB 2040-2.5/2, XYZ561a, XYZ562a

Charger model: AEC 20-4.0/2a, XYZ563a

Please note the model designations of batteries and chargers.

Rechargeable batteries and chargers are separately available in your Aldi stores.

Noise/vibration information



Health hazard!

Working without wearing hearing protection or protective clothing can lead to health problems.

- Wear ear protection and suitable protective clothing when working with the device.

Measured in accordance with DIN EN 62841-1 and DIN EN 62841-2-4. The noise at your workplace may exceed 85 dB(A); protective measures are necessary in this case (wear suitable ear protection).

- Sound pressure level L_{pA} : 74 dB(A)
- Uncertainty K_{pA} : 3 dB(A)
- Sound power level L_{WA} : 85 dB(A)
- Uncertainty K_{WA} : 3 dB(A)

The aforementioned values are noise emission values and therefore do not necessarily represent safe values for the workplace. The correlation between emission and emission levels cannot reliably provide for a conclusion as to whether additional cautionary measures are necessary or not.

Factors that could affect the respective emission level present at the workplace involve the specification of the work area, the surrounding area, the duration of exposure, other noise sources etc.

You must also observe any divergences in national regulations with respect to the permissible workplace levels. The aforementioned information does, however, allow the user to better assess dangers and risks.

- Vibration level a_h : 10.8 m/s²
- Uncertainty K: 1.5 m/s²

WARNING!

The aforementioned vibration emission level (vibration value) has been measured in accordance with a test method standardised in DIN EN 62841-1 and DIN EN 62841-2-4, and can be used to compare one power tool to another. It is also suited for preliminary estimation of exposure to vibration. The actual vibration emission value can, as described below, differ by type of application:

- Condition of the product and proper maintenance respectively;
- The type of material and use of the product;
- Use of the right accessories and whether they are in good condition;
- A firm grip on the product by the user;
- Proper use of the product as described in this user manual.

Any improper use of the product can cause vibration-related ailments.

WARNING!

Depending on the type of use or conditions of use, the following safety measures must be taken to protect the user:

- Avoid exposure to vibrations as much as possible.
- Only use accessories in perfect working order.
- Wear vibration-proof gloves when using the product.
- Maintain and service the product in accordance with this user manual.
- Avoid using the product at temperatures below 10 °C.
- Plan your work steps to avoid working with heavy vibration products over several days.

Disposal

Disposing of the packaging



Dispose of the packaging separated into single type materials. Dispose of paperboard and cardboard with waste paper and plastics with recyclable waste.

Disposing of the product



Old devices must not be disposed of with household waste!

This symbol indicates that this product must not be disposed of together with domestic waste in compliance with the Directive (2012/19/EU) pertaining to waste electrical and electronic equipment (WEEE). This product must be handed in at a collection point intended for the purpose. This can occur, for example, by handing it in at an authorised collecting point for the recycling of waste electrical and electronic equipment. Owing to potentially hazardous substances that are frequently contained in waste electronic equipment, incorrect handling of waste equipment may have a negative impact on the environment and on the health of human beings. By disposing of this product correctly, you are also contributing towards an efficient use of natural resources. Information on collecting points for waste equipment can be obtained from your municipal authorities, the public law disposal authorities, an authorised institution for the disposal of waste electrical and electronic equipment or the waste collection services.



Batteries and rechargeable batteries do not belong in the household waste!

As the end user, you are required by law to bring all batteries and rechargeable batteries, regardless of whether or not they contain harmful substances*, to a collection point run by the communal authority or borough or to a retailer, to allow them to be disposed of in an environmentally friendly manner.

*labelled with: Cd = cadmium, Hg = mercury, Pb = lead

Declaration of conformity



Conmetall Meister GmbH
Oberkamper Straße 39
42349 Wuppertal
Germany



EC Declaration of Conformity

We declare with sole responsibility,
that the product listed below ...

20 V LI-ION CORDLESS 3 IN 1
MULTI SANDER

FASS 20-I

FERREX[®]

WU5455703/ WU5455704 • 819084 • 10/2022

... meets all of the requirements of the
listed directives.

2011/65/EU (RoHS)
2006/42/EC (MD)
2014/35/EU (LVD)
2014/30/EU (EMC)

Applied, harmonized standards:

EN 62841-1:2015
EN 62841-2-4:2014
EN 55014-1:2017+A11
EN 55014-2:2015
EN IEC 63000:2018

Wuppertal, 28.03.2022

Ingo Heimann (M.Sc.)

Technical direction/Product development

Conmetall Meister GmbH · Oberkamper Straße 39 · 42349 Wuppertal · Germany

Authorized person for storing the technical documentation.



Great care has gone into the manufacture of this product and it should therefore provide you with years of good service when used properly. In the event of product failure within its intended use over the course of the first 3 years after date of purchase, we will remedy the problem as quickly as possible once it has been brought to our attention. In the unlikely event of such an occurrence, or if you require any information about the product, please contact us via our helpline support services, details of which are to be found both in this manual and on the product itself.

Appliances can be used by persons with reduced physical, sensory or mental capabilities or lack of experience and knowledge if they have been given supervision or instruction concerning use of the appliance in a safe way and understand the hazards involved.



PRODUCED IN CHINA FOR:

ALDI STORES LTD. PO BOX 26, ATHERSTONE
WARWICKSHIRE, CV9 2SH

ALDI STORES (IRELAND) LTD.
PO BOX 726, NAAS, CO. KILDARE
Visit us at www.aldi.com

AFTER SALES SUPPORT

819084



GB

IE

00800 34 99 67 53



meister-service@conmetallmeister.de

MODEL:

FASS 20-I/WU5455703/WU5455704

10/2022

3
YEAR
WARRANTY