



# 1756 ControlLogix Chassis Specifications

Catalog Numbers 1756-A4/B, 1756-A4K/B, 1756-A4/C, 1756-A4K/C, 1756-A7/B, 1756-A7K/B, 1756-A7/C, 1756-A7K/C, 1756-A7XT/C, 1756-A7ZXT, 1756-A10/B, 1756-A10K/B, 1756-A10/C, 1756-A10K/C, 1756-A10XT/C, 1756-A10ZXT, 1756-A13/B, 1756-A13K/B, 1756-A13/C, 1756-A13K/C, 1756-A17/B, 1756-A17K/B, 1756-A17/C, 1756-A17K/C

Topic	Page
Summary of Changes	1
Standard ControlLogix Chassis Specifications	2
ControlLogix-XT Chassis Specifications	4
Spacing Requirements	6
Series B ControlLogix Chassis with Standard and Slim Power Supply Mounting Dimensions	8
Series C ControlLogix Chassis with Standard and Slim Power Supply Mounting Dimensions	11
Series D ControlLogix Chassis with Standard and Slim Power Supply Mounting Dimensions	14
ControlLogix Chassis with Redundant Power Supply Mounting Dimensions	16
ControlLogix Chassis Accessories	19
Additional Resources	19

The ControlLogix® system is a modular system that requires a 1756 ControlLogix chassis. The chassis are designed for only horizontal back-panel mounting. Place any module into any slot. The backplane provides a high-speed communication path between modules.

## Summary of Changes

This publication contains the following new or updated information. This list includes substantive updates only and is not intended to reflect all changes.

Topic	Page
Corrected Minimum Cabinet Size Technical Specifications	2, 4
Corrected Cabinet Clearance Spacing Requirements	6, 7
Added 1756-A7ZXT and 1756-A10ZXT chassis information	Throughout

# Standard ControlLogix Chassis Specifications

The chassis backplane provides a high-speed communication path between modules and distributes power to each of the modules installed within the chassis.

## Technical Specifications - ControlLogix Standard Chassis

Attribute	1756-A4, 1756-A4K	1756-A7, 1756-A7K	1756-A10, 1756-A10K	1756-A13, 1756-A13K	1756-A17, 1756-A17K
Backplane current, chassis/slot max @ 1.2V DC	1.5 A/-				
Backplane current, chassis/slot max @ 3.3V DC	4 A/4 A				
Backplane current, chassis/slot max @ 5.1V DC	15 A/6 A				
Backplane current, chassis/slot max @ 24V DC	2.8 A/2.8 A				
Power dissipation, max	4 W	4.5 W	5 W	5.4 W	6 W
Isolation voltage	Determined by installed power supply and modules				
Slots	4	7	10	13	17
Mounting method	Only horizontal				
Cabinet size (HxWxD), min	50.8 x 50.8 x 20.3 cm (20 x 20 x 8 in.)	50.8 x 61.0 x 20.3 cm (20 x 24 x 8 in.)	50.8 x 71.1 x 20.3 cm (20 x 28 x 8 in.)	50.8 x 81.3 x 20.3 cm (20 x 32 x 8 in.)	50.8 x 96.5 x 20.3 cm (20 x 38 x 8 in.)
Weight, approx	0.75 kg (1.7 lb)	1.10 kg (2.4 lb)	1.45 kg (3.2 lb)	1.90 kg (4.2 lb)	2.20 kg (4.8 lb)
Location	Panel				
Wire size	Functional earth ground - 8.3 mm <sup>2</sup> (8 AWG) solid or stranded copper wire rated at 90 °C (194 °F) or greater Protective earth ground - 2.1 mm <sup>2</sup> (14 AWG) solid or stranded copper wire rated at 90 °C (194 °F) or greater				
North American temperature code	T5 (Series B) T4 (Series C)				
IEC temperature code	T4	T5 (Series B) T4 (Series C)			
Enclosure type rating	None (open-style)				

## Environmental Specifications - ControlLogix Standard Chassis

Attribute	Series B		Series C	
	1756-A4, 1756-A7, 1756-A10, 1756-A13, 1756-A17	1756-A4K, 1756-A7K, 1756-A10K, 1756-A13K, 1756-A17K	1756-A4, 1756-A7, 1756-A10, 1756-A13, 1756-A17	1756-A4K, 1756-A7K, 1756-A10K, 1756-A13K, 1756-A17K
Temperature, operating IEC 60068-2-1 (Test Ad, Operating Cold), IEC 60068-2-2 (Test Bd, Operating Dry Heat), IEC 60068-2-14 (Test Nb, Operating Thermal Shock)	0...60 °C (32...140 °F)		-25...+60 °C (-13...+140 °F)	
Temperature, surrounding air max	60 °C (140 °F)			
Temperature, nonoperating IEC 60068-2-1 (Test Ab, Unpackaged Nonoperating Cold), IEC 60068-2-2 (Test Bb, Unpackaged Nonoperating Dry Heat), IEC 60068-2-14 (Test Na, Unpackaged Nonoperating Thermal Shock)	-40...+85 °C (-40...+185 °F)			
Relative humidity IEC 60068-2-30 (Test Db, Unpackaged Damp Heat)	5...95% noncondensing			
Conformal Coated	-	Yes	-	Yes
Vibration IEC 60068-2-6 (Test Fc, Operating)	2 g @ 10...500 Hz			
Shock, operating IEC 60068-2-27 (Test Ea, Unpackaged Shock)	30 g			
Shock, nonoperating IEC 60068-2-27 (Test Ea, Unpackaged Shock)	50 g		30 g	
Emissions	IEC 61000-6-4			
ESD immunity IEC 61000-4-2	6 kV contact discharges 8 kV air discharges			
Radiated RF immunity IEC 61000-4-3	10V/m with 1 kHz sine-wave 80% AM from 80...2000 MHz 10V/m with 200 Hz 50% Pulse 100% AM @ 900 MHz 10V/m with 200 Hz 50% Pulse 100% AM @ 1890 MHz 3V/m with 1 kHz sine-wave 80% AM from 2000...2700 MHz			

## Certifications - ControlLogix Standard Chassis

Certification <sup>(1)</sup>	Series B		Series C
	1756-A4, 1756-A4K	1756-A7, 1756-A7K, 1756-A10, 1756-A10K, 1756-A13, 1756-A13K, 1756-A17, 1756-A17K	1756-A4, 1756-A4K, 1756-A7, 1756-A7K, 1756-A10, 1756-A10K, 1756-A13, 1756-A13K, 1756-A17, 1756-A17K
c-UL-us	UL Listed Industrial Control Equipment, certified for US and Canada. See UL File E65584. UL Listed for Class I, Division 2 Group A,B,C,D Hazardous Locations, certified for U.S. and Canada. See UL File E194810.		
FM	FM Approved Equipment for use in Class I Division 2 Group A,B,C,D Hazardous Locations.		
CE	European Union 2014/30/EU EMC Directive (EMC), compliant with: <ul style="list-style-type: none"> <li>EN 61326-1; Meas./Control/Lab., Industrial Requirements</li> <li>EN 61000-6-2; Industrial Immunity</li> <li>EN 61000-6-4; Industrial Emissions</li> <li>EN 61131-2; Programmable Controllers (Clause 8, Zone A &amp; B)</li> </ul>		
RCM	Australian Radiocommunications Act, compliant with: EN 61000-6-4; Industrial Emissions		
Ex	European Union 94/9/EC ATEX Directive, compliant with: <ul style="list-style-type: none"> <li>EN 60079-15; Potentially Explosive Atmospheres, Protection "n"</li> <li>EN 60079-0; General Requirements</li> <li>II 3 G Ex nA IIC T4 Gc X</li> </ul>		European Union 2014/34/EU Directive, compliant with: <ul style="list-style-type: none"> <li>EN 60079-7; Potentially Explosive Atmospheres, Protection "e"</li> <li>EN 60079-0; General Requirements</li> <li>II 3 G Ex ec IIC T4 Gc</li> <li>UL22ATEX2734X</li> </ul>
IECEX	-		IECEX System, compliant with: <ul style="list-style-type: none"> <li>IEC 60079-7; Potentially Explosive Atmospheres, Protection "e"</li> <li>IEC 60079-0; General Requirements</li> <li>II 3 G ec IIC T4 Gc</li> <li>IECEXUL22.0025X</li> </ul>
UKEx	In conformity with the following UKEx Statutory Instruments and their amendments: <ul style="list-style-type: none"> <li>Schedule 1 of the UKEx Regulation 2016 No. 1107</li> <li>Equipment protection by increased safety "e", reference certificate number UL22UKEX2451X</li> <li>Zone 2 classification according to UKEx Regulation 2016 No. 1107</li> </ul>		
UKCA	In conformity with the following UK Statutory Instruments and their amendments: <ul style="list-style-type: none"> <li>2016 No. 1091, Electromagnetic Compatibility Regulations</li> <li>2016 No. 1107, Equipment and Protective Systems Intended for Use in Potentially Explosive Atmospheres Regulations</li> <li>2012 No. 3032, Restriction of the Use of Certain Hazardous Substances in Electrical and Electronic Equipment</li> </ul>		
KC	Korean Registration of Broadcasting and Communications Equipment, compliant with: Article 58-2 of Radio Waves Act, Clause 3		
CCC	CCC 202012230911998 CNCA-C23-01 强制性产品认证实施规则 防爆电气 CNCA-C23-01 CCC Implementation Rule Explosion-Proof Electrical Products		
Morocco	In conformity with the following regulations: <ul style="list-style-type: none"> <li>Arrêté ministériel n° 6404-15 du 1<sup>er</sup> muharram 1437 (15 octobre 2015) Équipements électriques destinés à être utilisés sous certaines limites de tension</li> <li>Arrêté ministériel n° 6404-15 du 29 ramadan 1436 (16 juillet 2015) Compatibilité électromagnétique des équipements</li> </ul>		

(1) See the Product Certification website at [rok.auto/certifications](http://rok.auto/certifications) for Declarations of Conformity, Certificates, and other certification details.

## ControlLogix-XT Chassis Specifications

The ControlLogix-XT™ chassis support extreme temperature environments. Series C XT chassis are conformally coated for increased survivability in ISA G3 environments. ControlLogix-ZXT chassis are conformally coated to resist corrosion in ISA GX environments.

### Technical Specifications - ControlLogix-XT Chassis

Attribute	1756-A7XT	1756-A10XT	1756-A7ZXT	1756-A10ZXT
Backplane current, chassis/slot max @ 1.2V DC	1.5 A/-			
Backplane current, chassis/slot max @ 3.3V DC	4 A/4 A			
Backplane current, chassis/slot max @ 5.1V DC	15 A/6 A			
Backplane current, chassis/slot max @ 24V DC	2.8 A/2.8 A			
Power dissipation, max	4.5 W	5 W	4.5 W	5 W
Isolation voltage	Determined by installed power supply and modules			
Slots	7	10	7	10
Mounting method	Horizontal only			
Cabinet size (HxWxD), min	50.8 x 71.1 x 20.3 cm (20 x 28 x 8 in.)	50.8 x 86.4 x 20.3 cm (20 x 34 x 8 in.)	50.8 x 71.1 x 20.3 cm (20 x 28 x 8 in.)	50.8 x 86.4 x 20.3 cm (20 x 34 x 8 in.)
Weight, approx	1.09 kg (2.4 lb)	1.91 kg (4.2 lb)	1.09 kg (2.4 lb)	1.91 kg (4.2 lb)
Location	Panel			
Wire size	Functional earth ground - 8.3 mm <sup>2</sup> (8 AWG) solid or stranded copper wire rated at 90 °C (194 °F) or greater Protective earth ground - 2.1 mm <sup>2</sup> (14 AWG) solid or stranded copper wire rated at 90 °C (194 °F) or greater			
Temperature code	T4			
Enclosure type rating	None (open-style)			

### Environmental Specifications - ControlLogix-XT Chassis

Attribute	1756-A7XT, 1756-A10XT	1756-A7ZXT, 1756-A10ZXT
Temperature, operating IEC 60068-2-1 (Test Ad, Operating Cold), IEC 60068-2-2 (Test Bd, Operating Dry Heat), IEC 60068-2-14 (Test Nb, Operating Thermal Shock)	-25...+70 °C (-13...+158 °F)	
Temperature, surrounding air max	70 °C (158 °F)	
Temperature, nonoperating IEC 60068-2-1 (Test Ab, Unpackaged Nonoperating Cold), IEC 60068-2-2 (Test Bb, Unpackaged Nonoperating Dry Heat), IEC 60068-2-14 (Test Na, Unpackaged Nonoperating Thermal Shock)	-40...+85 °C (-40...+185 °F)	
Relative humidity IEC 60068-2-30 (Test Db, Unpackaged Damp Heat)	5...95% noncondensing	
Conformal Coated	Yes	
Corrosive Atmosphere ASTM B845-97 Method K Accelerated Test (30-Day Exposure) plus additional Rockwell Automation proprietary accelerated corrosive environment test protocol for specific industries with sources of gaseous sulfur compounds.	-	Severity Level GX <sup>(1)</sup> (2) per ANSI/ISA 71.04-2013, Airborne Contaminants—Gases Severity Level CX <sup>(1)</sup> per IEC 60721-3-3:2019, Chemically Active Substances
Vibration IEC 60068-2-6 (Test Fc, Operating)	2 g @ 10...500 Hz	
Shock, operating IEC 60068-2-27 (Test Ea, Unpackaged Shock)	30 g	
Shock, nonoperating IEC 60068-2-27 (Test Ea, Unpackaged Shock)	30 g	
Emissions	IEC 61000-6-4	
ESD immunity IEC 61000-4-2	6 kV contact discharges 8 kV air discharges	
Radiated RF immunity IEC 61000-4-3	10V/m with 1 kHz sine-wave 80% AM from 80...2000 MHz 10V/m with 200 Hz 50% Pulse 100% AM @ 900 MHz 10V/m with 200 Hz 50% Pulse 100% AM @ 1890 MHz 3V/m with 1 kHz sine-wave 80% AM from 2000...2700 MHz	

(1) Port plugs/covers must remain installed in unused ports at all times, once the XT packaging seal is broken, for the product to maintain its corrosive atmosphere rating.

(2) Up to 2100 angstroms of film growth per 30 days of copper and/or silver reactivity.

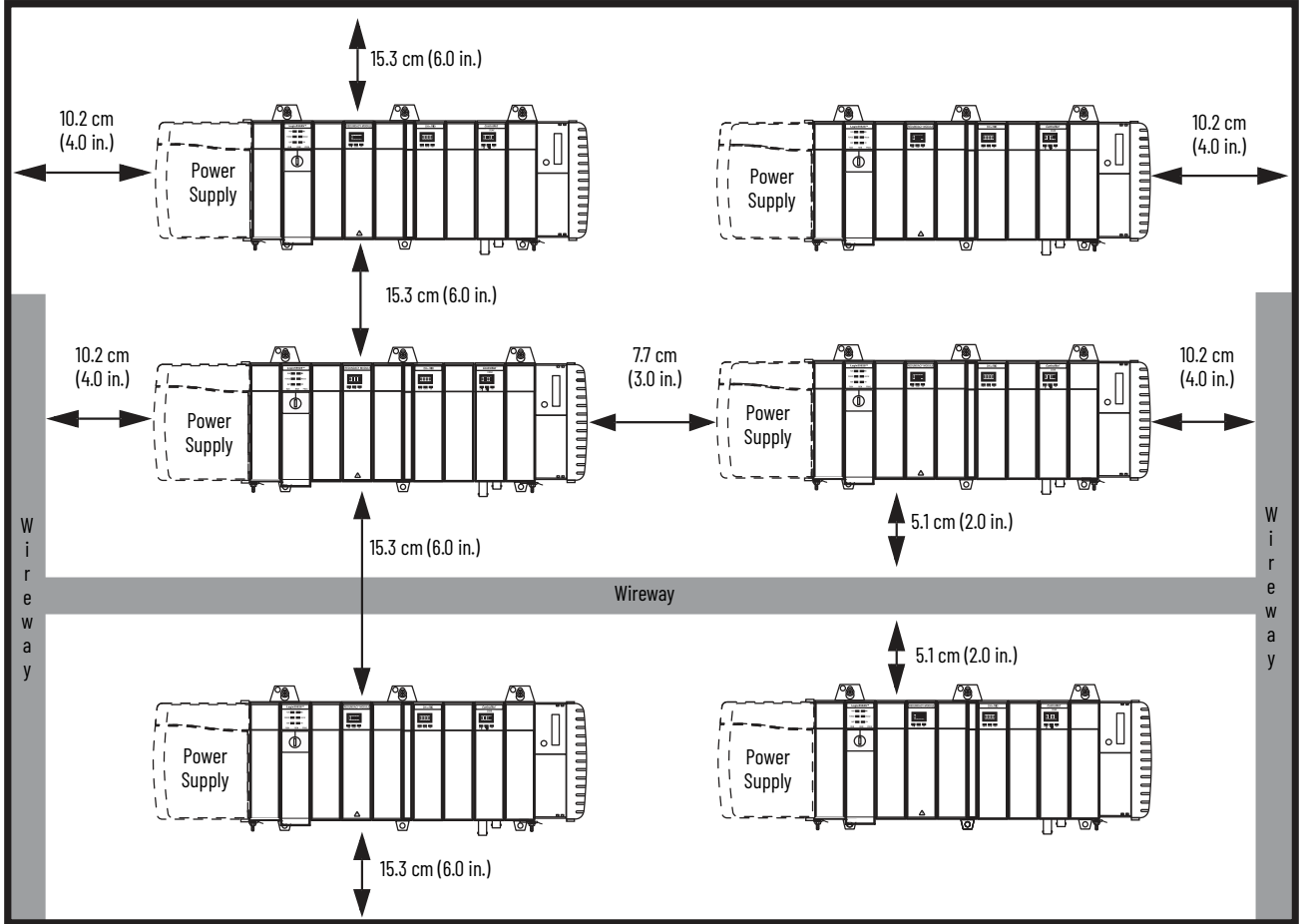
## Certifications - ControlLogix-XT Chassis

Certification <sup>(1)</sup>	1756-A7XT, 1756-A10XT, 1756-A7ZXT, 1756-A10ZXT
c-UL-us	UL Listed Industrial Control Equipment, certified for US and Canada. See UL File E65584. UL Listed for Class I, Division 2 Group A,B,C,D Hazardous Locations, certified for U.S. and Canada. See UL File E194810.
FM	FM Approved Equipment for use in Class I Division 2 Group A,B,C,D Hazardous Locations.
CE	European Union 2014/30/EU EMC Directive (EMC), compliant with: <ul style="list-style-type: none"> <li>EN 61326-1; Meas./Control/Lab., Industrial Requirements</li> <li>EN 61000-6-2; Industrial Immunity</li> <li>EN 61000-6-4; Industrial Emissions</li> <li>EN 61131-2; Programmable Controllers (Clause 8, Zone A &amp; B)</li> </ul>
RCM	Australian Radiocommunications Act, compliant with: EN 61000-6-4; Industrial Emissions
Ex	European Union 2014/34/EU Directive, compliant with: <ul style="list-style-type: none"> <li>EN 60079-7; Potentially Explosive Atmospheres, Protection "e"</li> <li>EN 60079-0; General Requirements</li> <li>II 3 G Ex ec IIC T4 Gc</li> <li>UL22ATEX2734X</li> </ul>
IECEX	IECEX System, compliant with: <ul style="list-style-type: none"> <li>IEC 60079-7; Potentially Explosive Atmospheres, Protection "e"</li> <li>IEC 60079-0; General Requirements</li> <li>II 3 G ec IIC T4 Gc</li> <li>IECEXUL22.0025X</li> </ul>
KC	Korean Registration of Broadcasting and Communications Equipment, compliant with: Article 58-2 of Radio Waves Act, Clause 3
UKEx	In conformity with the following UKEx Statutory Instruments and their amendments: <ul style="list-style-type: none"> <li>Schedule 1 of the UKEx Regulation 2016 No. 1107</li> <li>Equipment protection by increased safety "e", reference certificate number UL22UKEX2451X</li> <li>Zone 2 classification according to UKEx Regulation 2016 No. 1107</li> </ul>
UKCA	In conformity with the following UK Statutory Instruments and their amendments: <ul style="list-style-type: none"> <li>2016 No. 1091, Electromagnetic Compatibility Regulations</li> <li>2016 No. 1107, Equipment and Protective Systems Intended for Use in Potentially Explosive Atmospheres Regulations</li> <li>2012 No. 3032, Restriction of the Use of Certain Hazardous Substances in Electrical and Electronic Equipment</li> </ul>
CCC	CCC 202012230911998 CNCA-C23-01 强制性产品认证实施规则 防爆电气 CNCA-C23-01 CCC Implementation Rule Explosion-Proof Electrical Products
Morocco	In conformity with the following regulations: <ul style="list-style-type: none"> <li>Arrêté ministériel n° 6404-15 du 1<sup>er</sup> muharram 1437 (15 octobre 2015) Équipements électriques destinés à être utilisés sous certaines limites de tension</li> <li>Arrêté ministériel n° 6404-15 du 29 ramadan 1436 (16 juillet 2015) Compatibilité électromagnétique des équipements</li> </ul>

(1) See the Product Certification website at [rok.auto/certifications](http://rok.auto/certifications) for Declarations of Conformity, Certificates, and other certification details.

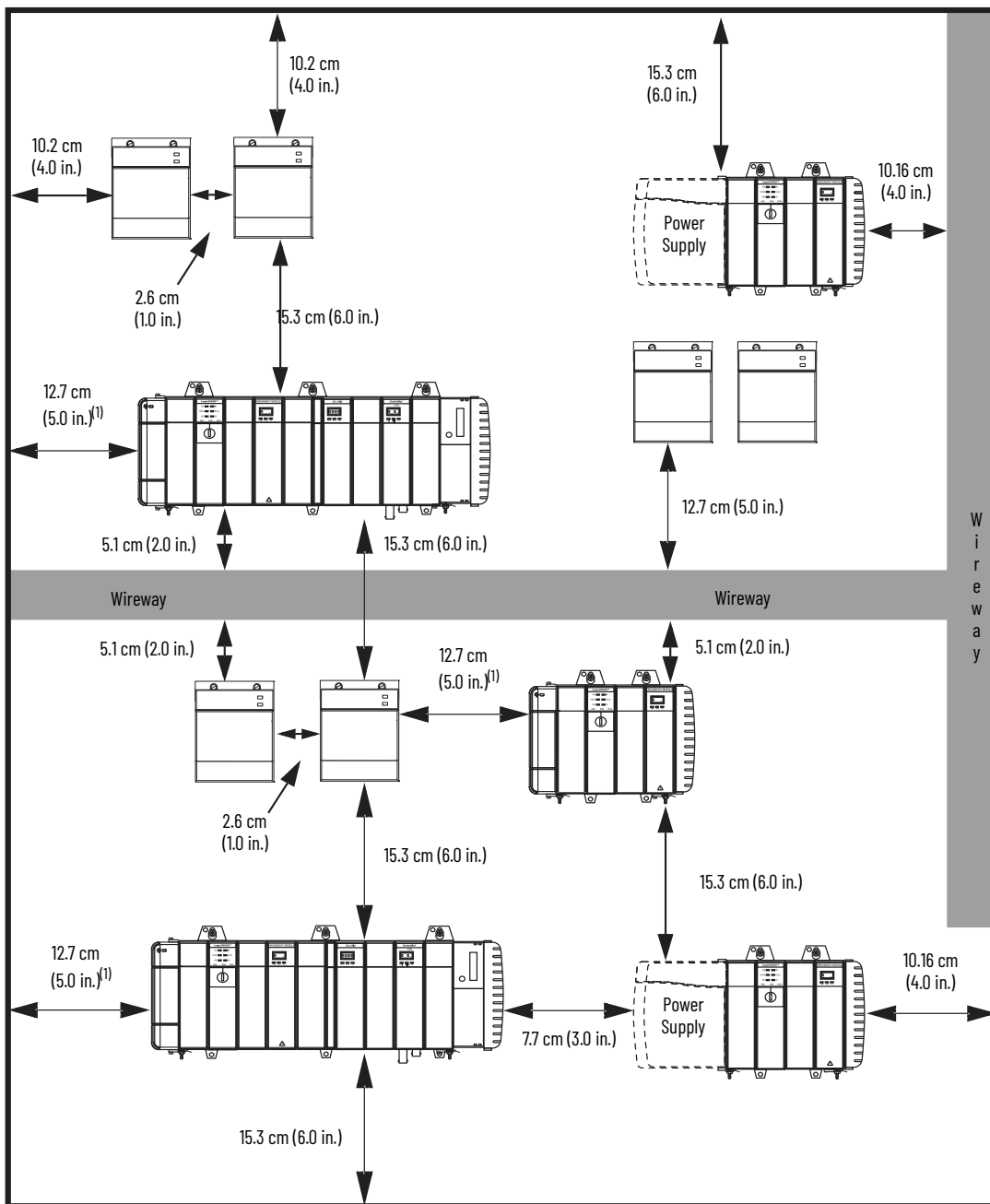
## Spacing Requirements

### ControlLogix Chassis with a Non-Redundant Power Supply (Series C Chassis Depicted)



**IMPORTANT** The 1756-CPR2 cable has a bend radius of 12.7 cm (5.0 in.). The chassis must have a minimum clearance of 12.7 cm (5.0 in.) on the left side to route and connect the 1756-CPR2 cable. The redundant power supplies must have a minimum clearance of 12.7 cm (5.0 in.) below the supply to route and connect the 1756-CPR2 cable.

ControlLogix Chassis with a Redundant Power Supply and a Chassis Adapter (Series C Chassis Depicted)

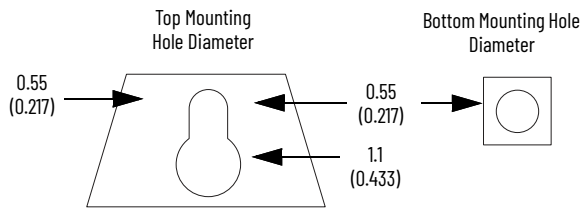


<sup>(1)</sup> The measurements for systems that use 1756-CPR2D or 1756-CPR2U cables are 10.2 cm (4.0 in.).

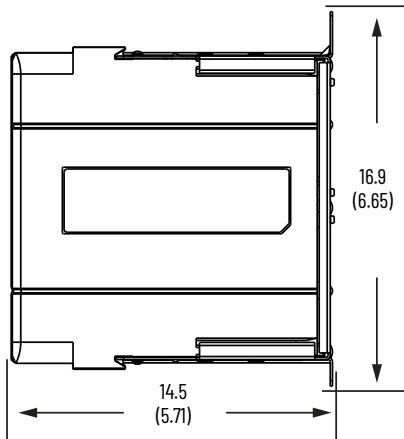
# Series B ControlLogix Chassis with Standard and Slim Power Supply Mounting Dimensions

Dimensions are in cm (in.).

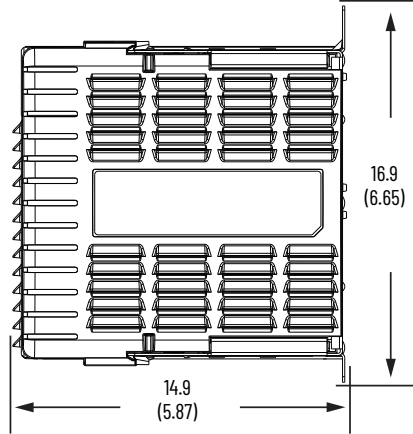
## Chassis Common Dimensions



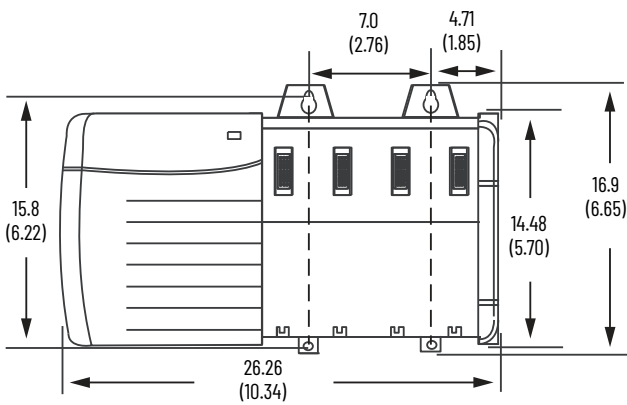
Right-side View of All Standard Chassis



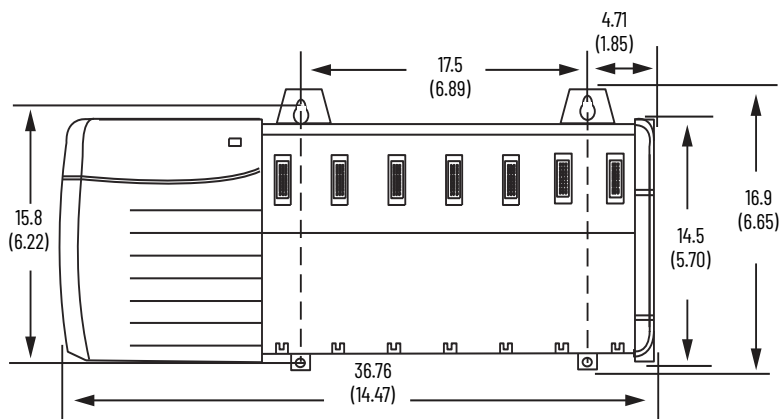
Right-side View of All ControlLogix-XT Chassis



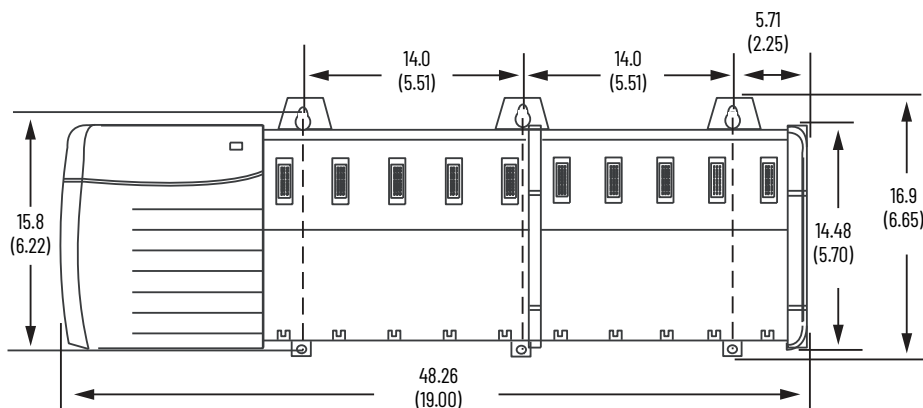
## 1756-A4/B Chassis and Power Supply



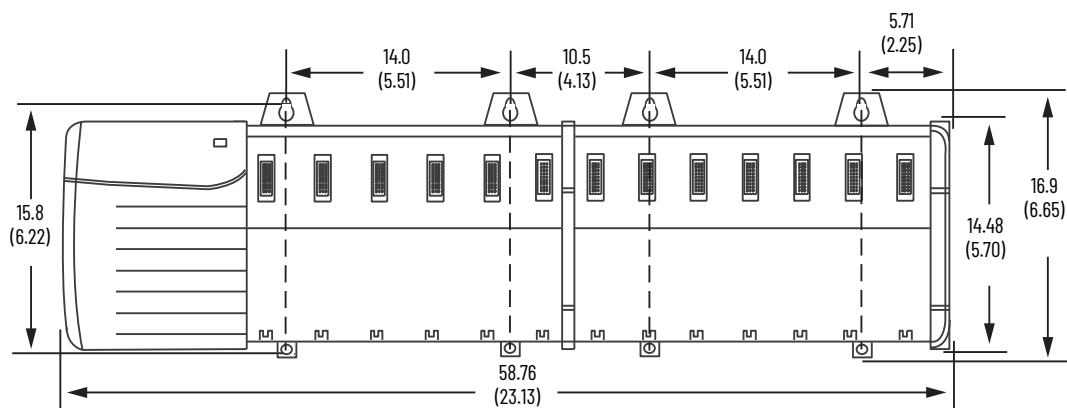
**1756-A7/B Chassis and Power Supply**



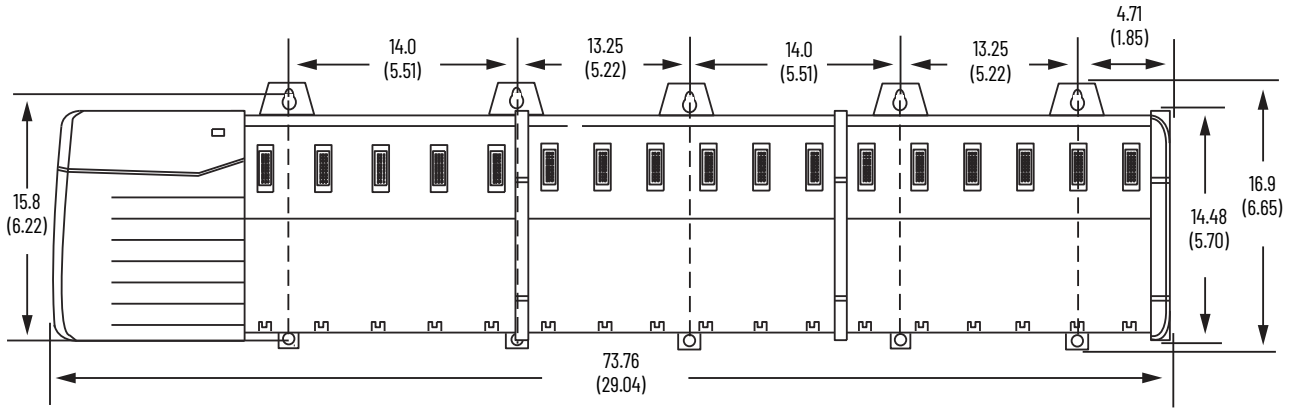
**1756-A10/B Chassis and Power Supply**



**1756-A13/B Chassis and Power Supply**



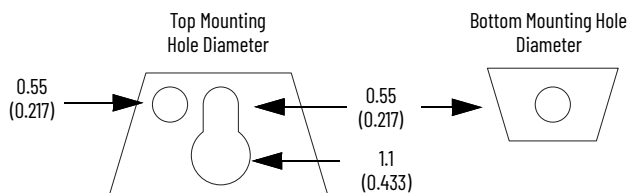
1756-A17/B Chassis and Power Supply



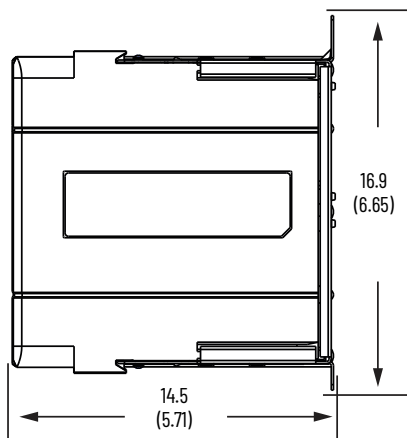
# Series C ControlLogix Chassis with Standard and Slim Power Supply Mounting Dimensions

Dimensions are in cm (in.).

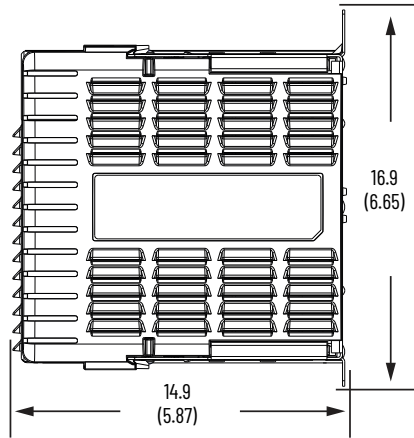
## Chassis Common Dimensions



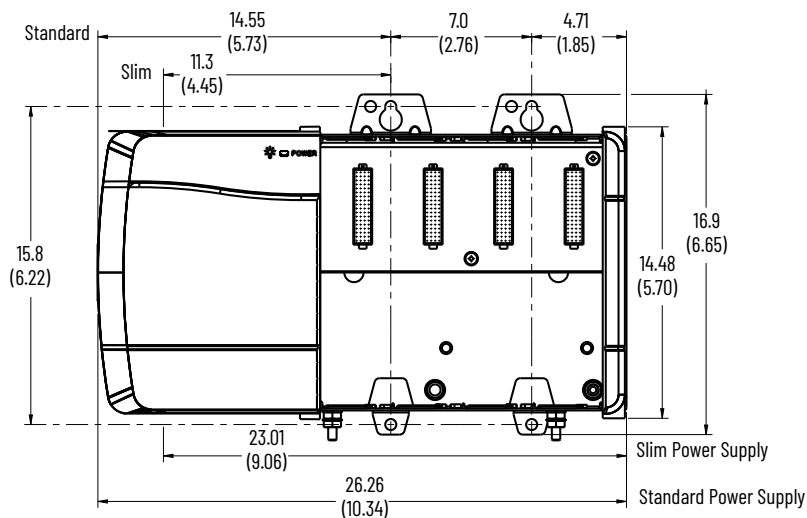
Right-side View of All Standard Chassis



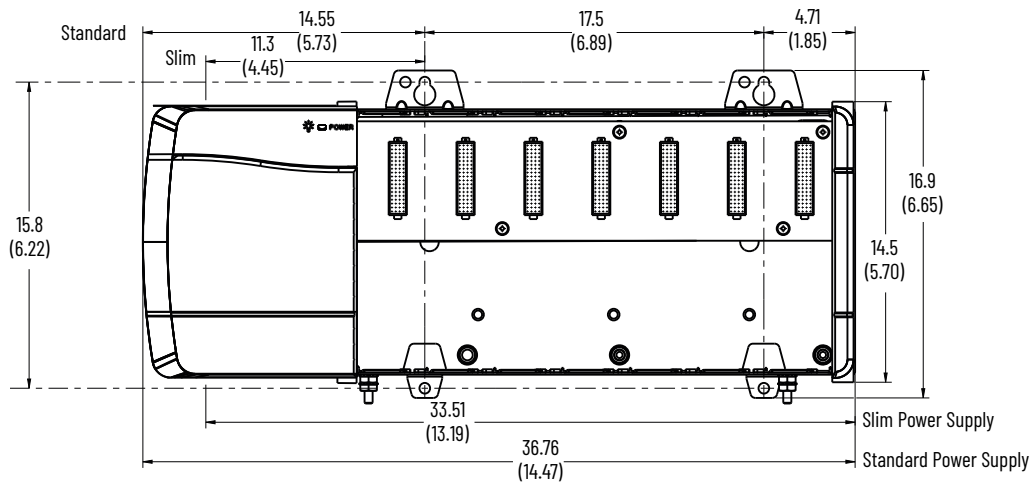
Right-side View of All ControlLogix-XT Chassis



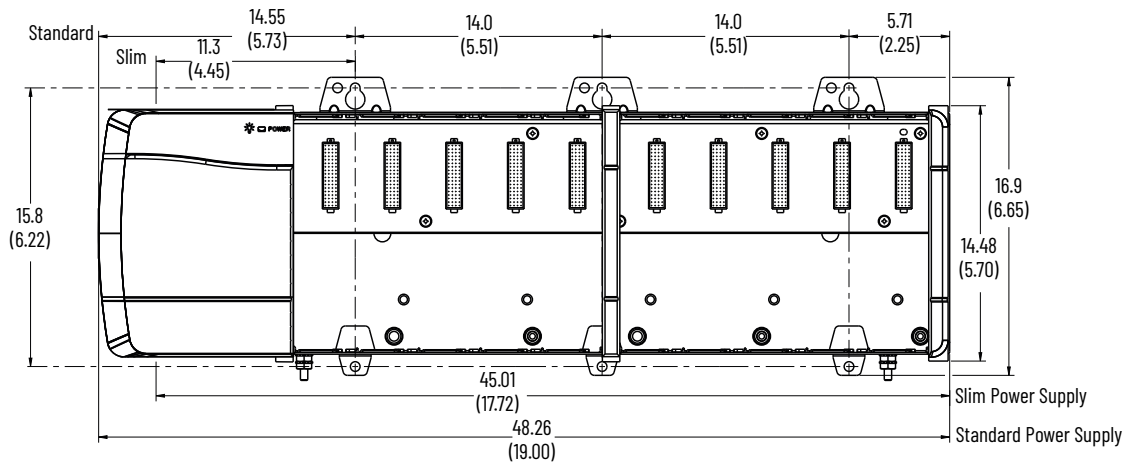
## 1756-A4/C Chassis and Power Supply



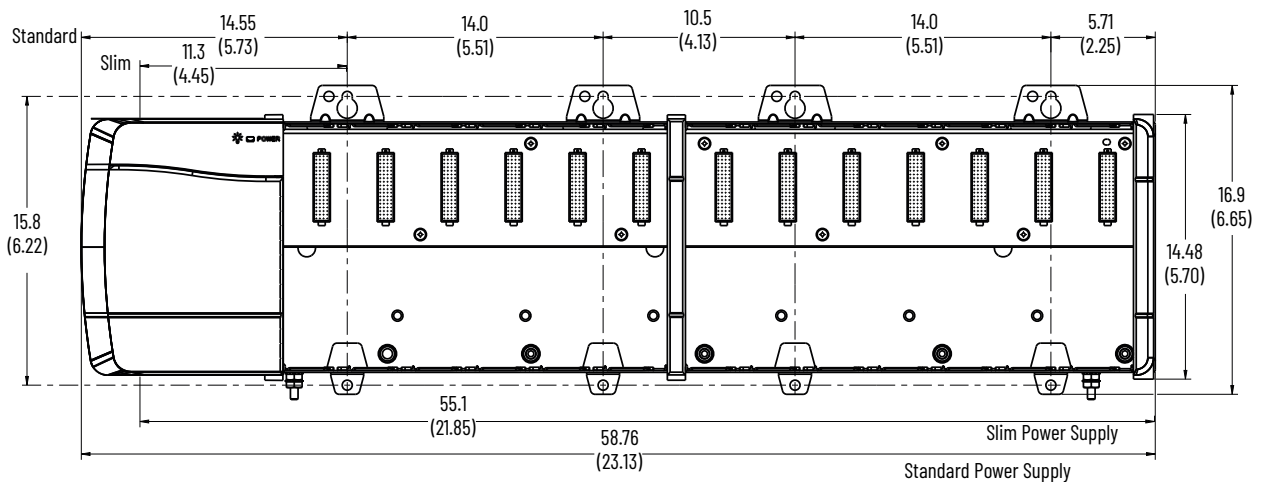
### 1756-A7/C Chassis and Power Supply



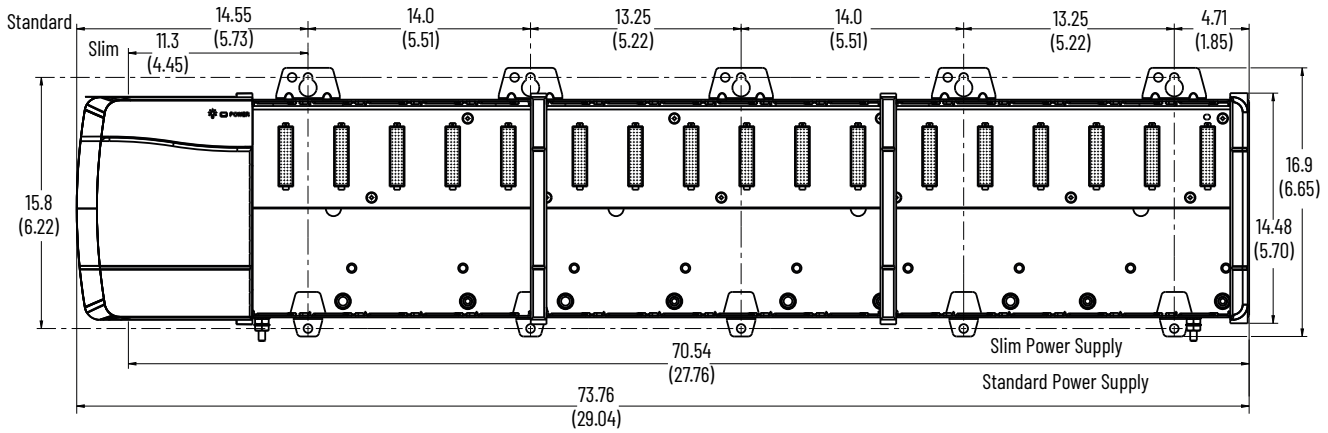
### 1756-A10/C Chassis and Power Supply



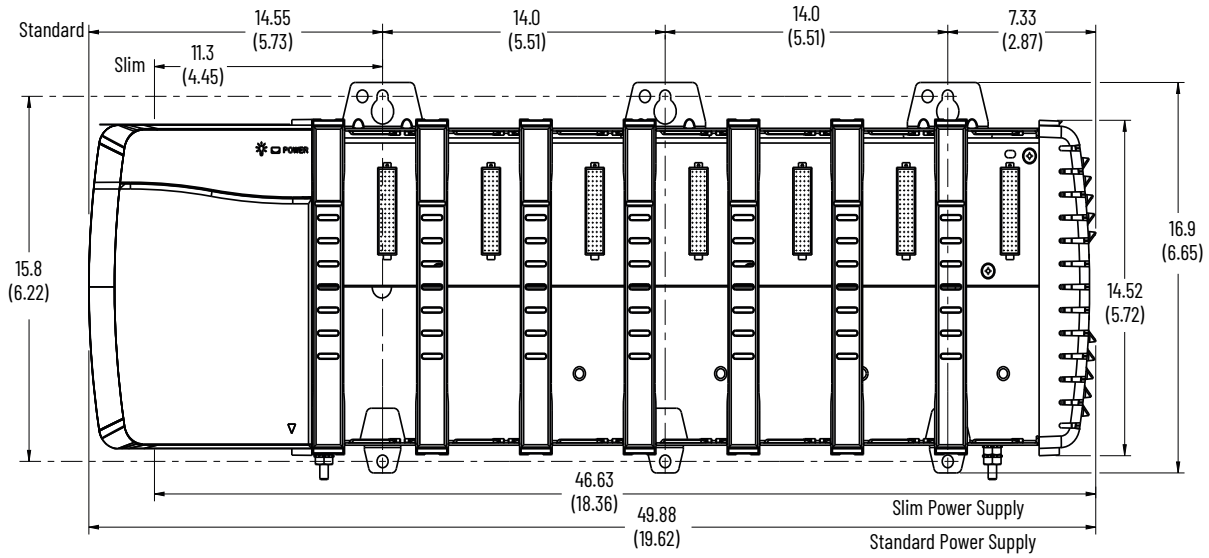
### 1756-A13/C Chassis and Power Supply



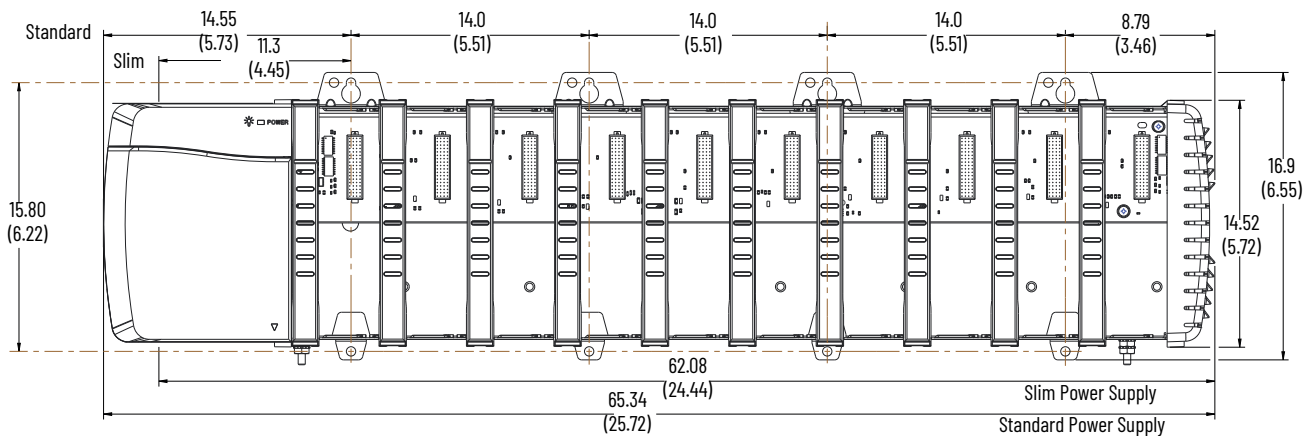
### 1756-A17/C Chassis and Power Supply



### 1756-A7XT/C Chassis and Power Supply



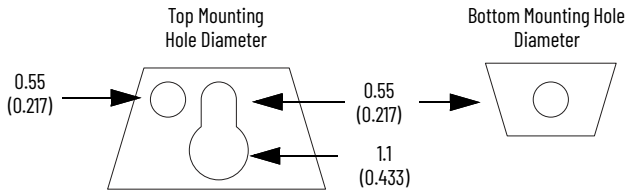
### 1756-A10XT/C Chassis and Power Supply



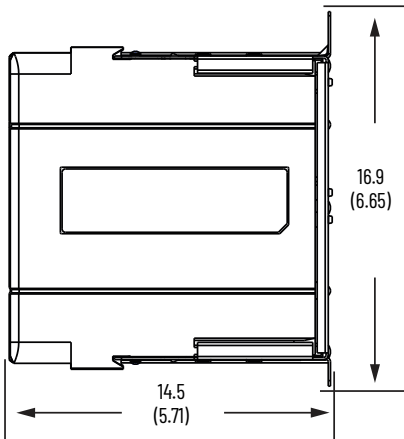
# Series D ControlLogix Chassis with Standard and Slim Power Supply Mounting Dimensions

Dimensions are in cm (in.).

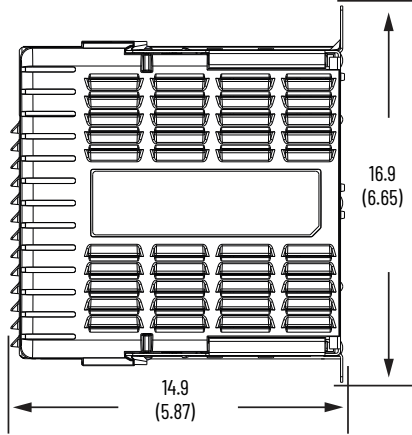
## Chassis Common Dimensions



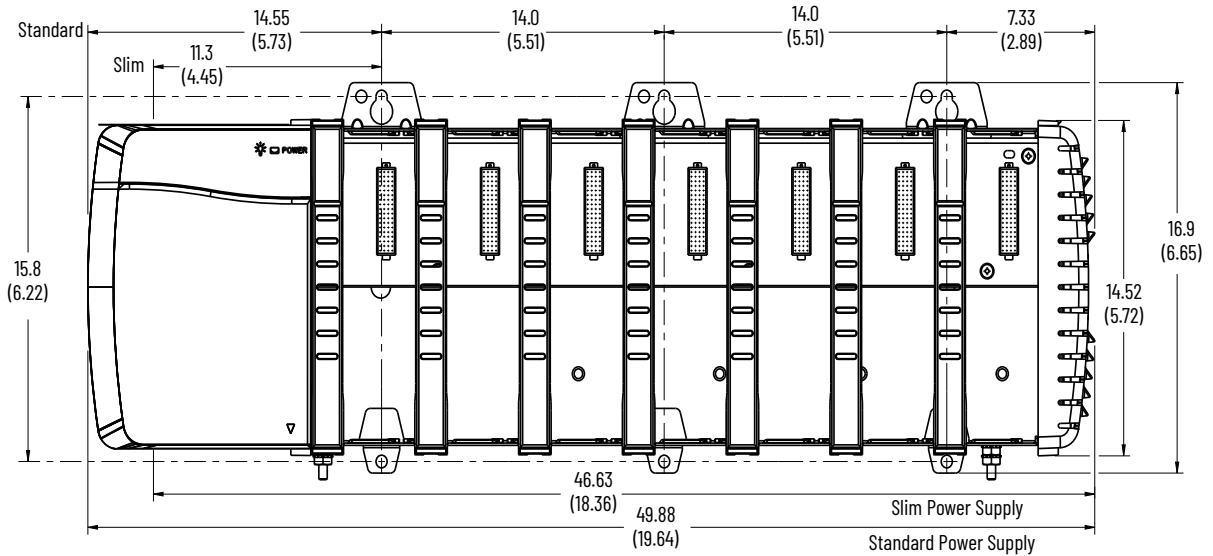
Right-side View of All Standard Chassis



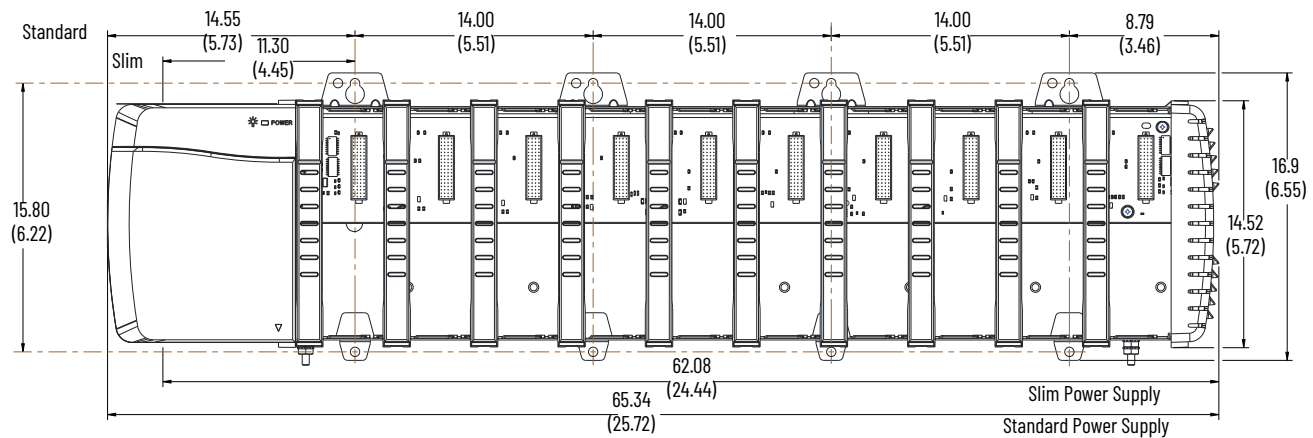
Right-side View of All ControlLogix-XT Chassis



## 1756-A7ZXT/D Chassis and Power Supply



1756-A10ZXT/D Chassis and Power Supply

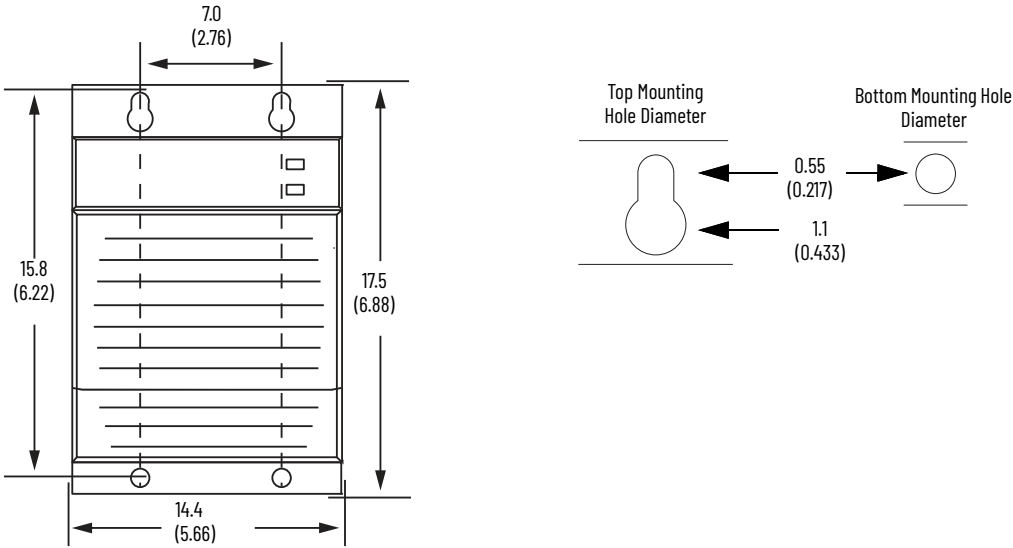


# ControlLogix Chassis with Redundant Power Supply Mounting Dimensions

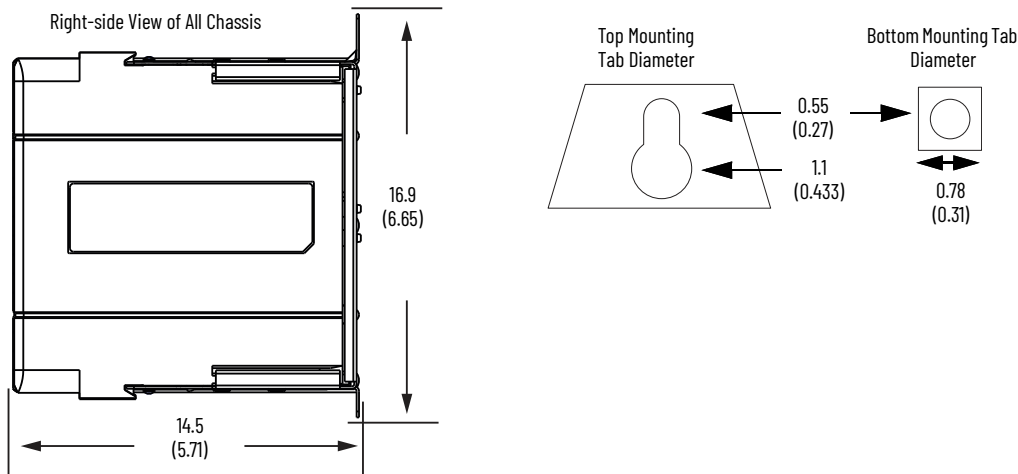
**IMPORTANT** The 1756-CPR2 cable has a bend radius of 12.7 cm (5.0 in.). The chassis must have a minimum clearance of 12.7 cm (5.0 in.) on the left side to route and connect the 1756-CPR2 cable. The redundant power supplies must have a minimum clearance of 12.7 cm (5.0 in.) below the supply to route and connect the 1756-CPR2 cable.

Dimensions are in cm (in.).

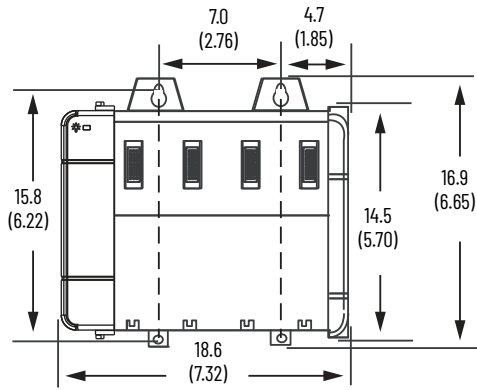
## Redundant Power Supplies



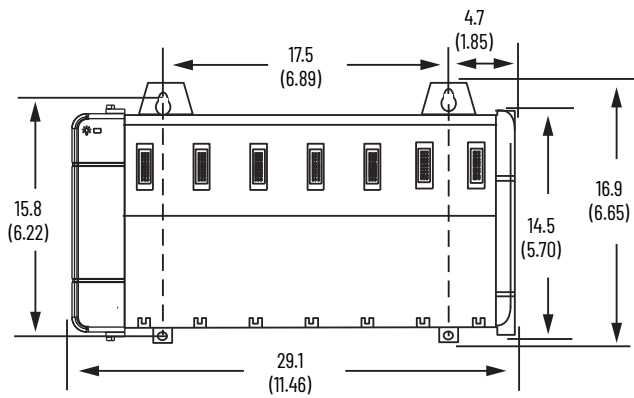
## Chassis Common Dimensions



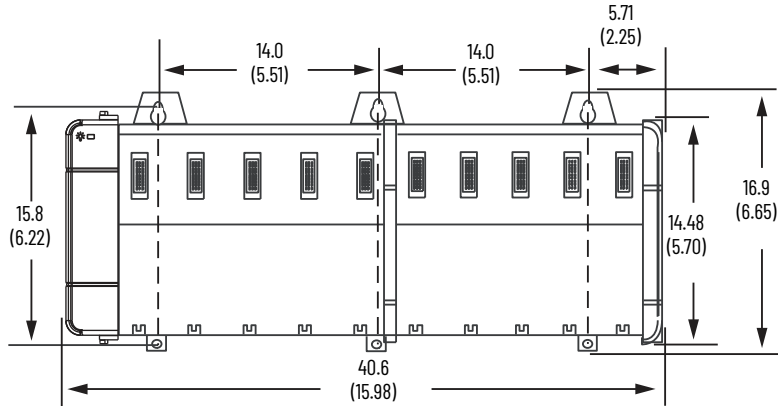
**1756-A4/B Chassis and Chassis Adapter Module**



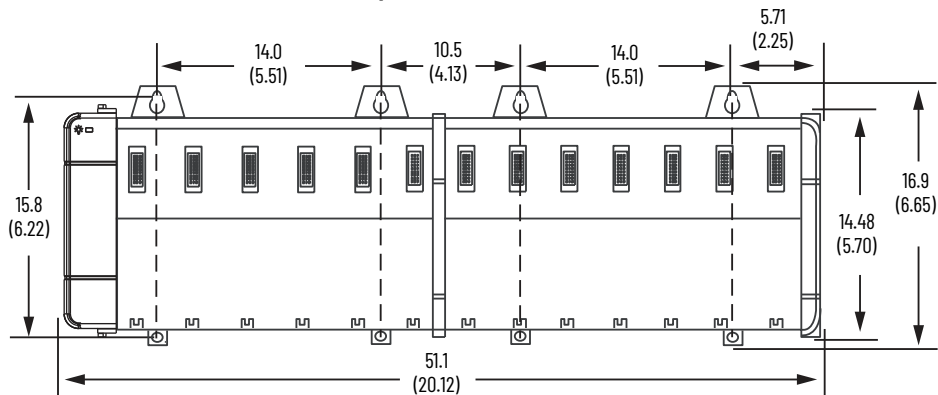
**1756-A7/B Chassis and Chassis Adapter Module**



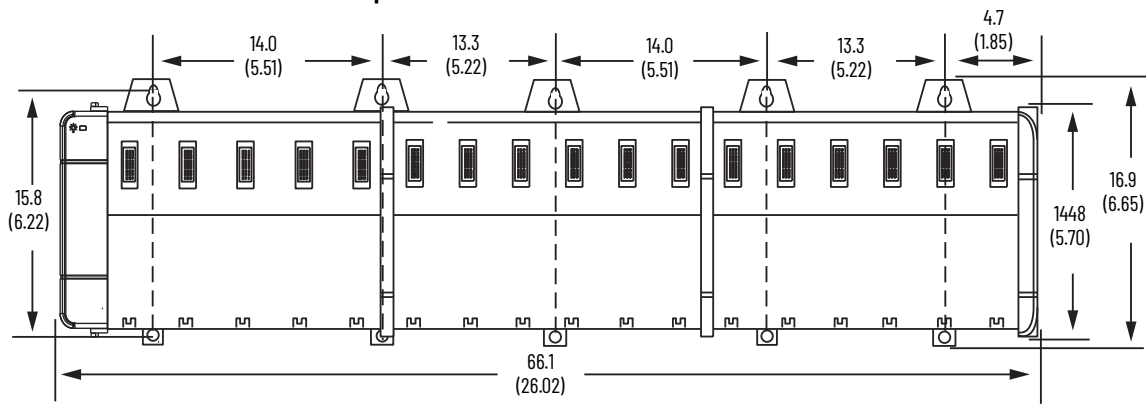
**1756-A10/B Chassis and Chassis Adapter Module**



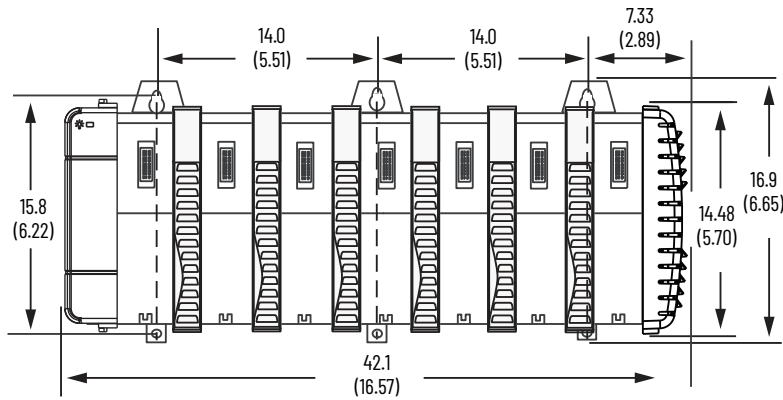
**1756-A13/B Chassis and Chassis Adapter Module**



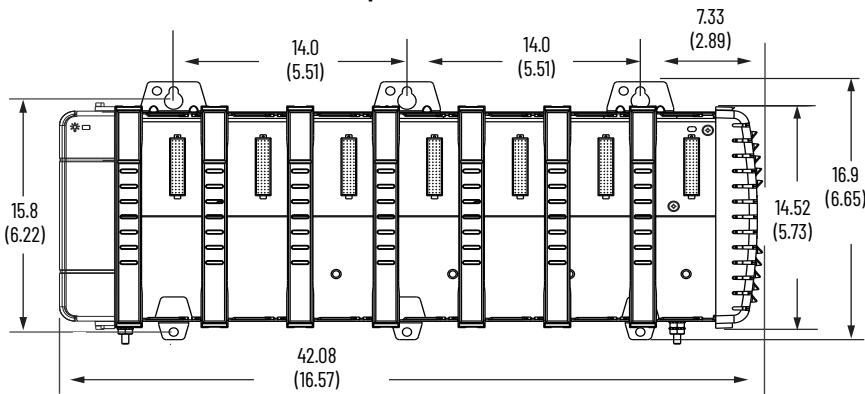
**1756-A17/B Chassis and Chassis Adapter Module**



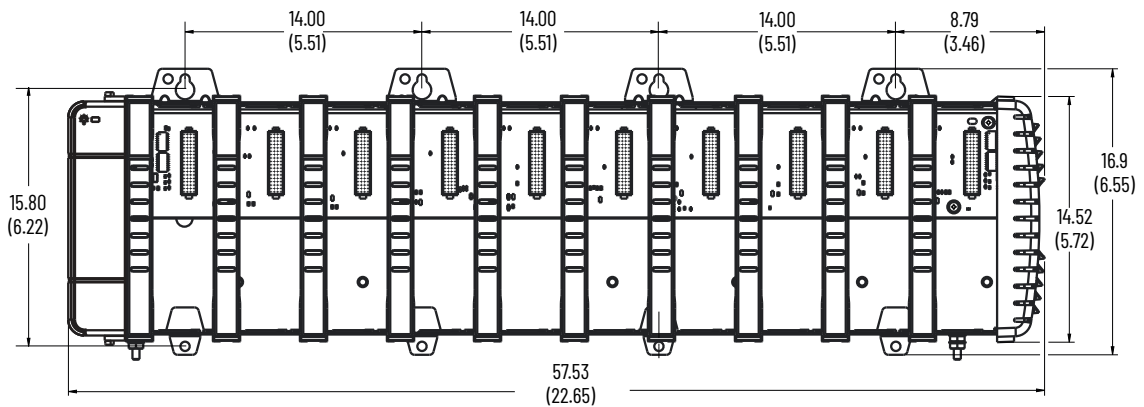
**1756-A7XT/B Chassis and Chassis Adapter Module**



**1756-A7XT/C Chassis and Chassis Adapter Module**



**1756-A10XT/C Chassis and Adapter Module**



## ControlLogix Chassis Accessories

Use a slot filler module to fill empty slots.

Cat. No.	Description
1756-N2	Slot filler module for empty slots in standard ControlLogix chassis
1756-N2XT	Slot filler module for empty slots in ControlLogix-XT and ControlLogix-ZXT chassis

## Additional Resources

These documents contain additional information concerning related products from Rockwell Automation. You can view or download publications at [rok.auto/literature](http://rok.auto/literature).

Resource	Description
ControlLogix System User Manual, publication <a href="#">1756-UM001</a>	Describes how to use a ControlLogix® system
ControlLogix Selection Guide, publication <a href="#">1756-SG002</a>	Provides overview of the ControlLogix system and its products.
ControlLogix Power Supplies Specifications Technical Data, publication <a href="#">1756-TD005</a>	Provides technical specifications for ControlLogix power supplies.
Industrial Automation Wiring and Grounding Guidelines, publication <a href="#">1770-4.1</a>	Provides general guidelines for installing a Rockwell Automation industrial system.
Product Certifications website, <a href="http://rok.auto/certifications">rok.auto/certifications</a>	Provides declarations of conformity, certificates, and other certification details.

# Rockwell Automation Support

Use these resources to access support information.

<b>Technical Support Center</b>	Find help with how-to videos, FAQs, chat, user forums, Knowledgebase, and product notification updates.	<a href="http://rok.auto/support">rok.auto/support</a>
<b>Local Technical Support Phone Numbers</b>	Locate the telephone number for your country.	<a href="http://rok.auto/phonesupport">rok.auto/phonesupport</a>
<b>Technical Documentation Center</b>	Quickly access and download technical specifications, installation instructions, and user manuals.	<a href="http://rok.auto/techdocs">rok.auto/techdocs</a>
<b>Literature Library</b>	Find installation instructions, manuals, brochures, and technical data publications.	<a href="http://rok.auto/literature">rok.auto/literature</a>
<b>Product Compatibility and Download Center (PCDC)</b>	Download firmware, associated files (such as AOP, EDS, and DTM), and access product release notes.	<a href="http://rok.auto/pcdc">rok.auto/pcdc</a>





## Documentation Feedback

Your comments help us serve your documentation needs better. If you have any suggestions on how to improve our content, complete the form at [rok.auto/docfeedback](http://rok.auto/docfeedback).

Allen-Bradley, ControlLogix, ControlLogix-XT, expanding human possibility, and Rockwell Automation are trademarks of Rockwell Automation, Inc.. Trademarks not belonging to Rockwell Automation are property of their respective companies.

Rockwell Automation maintains current product environmental compliance information on its website at [rok.auto/pec](http://rok.auto/pec).

Rockwell Otomasyon Ticaret A.Ş. Kar Plaza İş Merkezi E Blok Kat:6 34752, İçerenköy, İstanbul, Tel: +90 (216) 5698400 EEE Yönetmeliğine Uygundur

Connect with us.    

[rockwellautomation.com](http://rockwellautomation.com)

expanding **human possibility**<sup>®</sup>

AMERICAS: Rockwell Automation, 1201 South Second Street, Milwaukee, WI 53204-2496 USA, Tel: (1) 414.382.2000

EUROPE/MIDDLE EAST/AFRICA: Rockwell Automation NV, Pegasus Park, De Kleetlaan 12a, 1831 Diegem, Belgium, Tel: (32) 2683 0600

ASIA PACIFIC: Rockwell Automation SEA Pte Ltd, 2 Corporation Road, #04-05, Main Lobby, Corporation Place, Singapore 618494, Tel: (65) 6510 6608

UNITED KINGDOM: Rockwell Automation Ltd., Pitfield, Kiln Farm, Milton Keynes, MK11 3DR, United Kingdom, Tel: (44)(1908) 838-800

Publication 1756-TD006G-EN-E - October 2024

1756-TD006F-EN-E - March 2017

Copyright © 2024 Rockwell Automation, Inc. All rights reserved. Printed in the U.S.A.