

12 month warranty

Thank you for your purchase from Kmart.

Kmart Australia Ltd warrants your new product to be free from defects in materials and workmanship for the period stated above, from the date of purchase, provided that the product is used in accordance with the accompanying recommendations or instructions where provided. This warranty is in addition to your rights under the Australian Consumer Law.

Kmart will provide you with your choice of a refund, repair or exchange (where possible) for this product if it becomes defective within the warranty period. Kmart will bear the reasonable expense of claiming the warranty. This warranty will no longer apply where the defect is a result of alteration, accident, misuse, abuse or neglect.

Please retain your receipt as proof of purchase and contact our Customer Service Centre on **1800 124 125 (Australia)** or **0800 945 995 (New Zealand)** or alternatively, via Customer Help at **kmart.com.au** for any difficulties with your product. Warranty claims and claims for expense incurred in returning this product can be addressed to our Customer Service Centre at 690 Springvale Rd, Mulgrave Vic 3170.

Our goods come with guarantees that cannot be excluded under the Australian Consumer Law. You are entitled to a replacement or refund for a major failure and compensation for any other reasonably foreseeable loss or damage. You are also entitled to have the goods repaired or replaced if the goods fail to be of acceptable quality and the failure does not amount to a major failure.

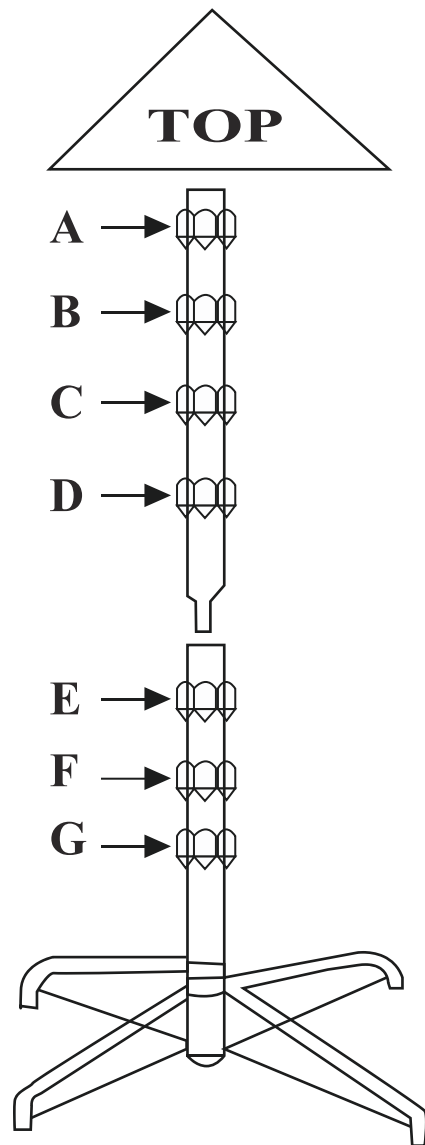
For New Zealand customers, this warranty is in addition to statutory rights observed under New Zealand legislation.

2.13M (7ft) Cashmere Pine Tree - Tree I Instruction Manual

includes:

- › Tree Top
- › Upper body (Layer A, B, C, D)
- › Lower body (Layer E, F, G)
- › metal stand





1) READ instruction carefully before you set up and shaping your tree.

Getting Started:

1)Sort branches per letter codes/color codes marked on the end of each branch. Please refer to the construction diagram as shown.

Tree Stand Assembly:

1)Place the tree stand on a level surface, open the stand on 90 angles until the hole on tube is matched.

2)Insert 3 eye bolts and screw into the hole.

3)Insert the end of the bottom pole into the stand, adjust the pole straight and balance correctly. Then, tighten with 3 bolts to secure the tree pole.

Shaping and Adding Panels:

1)Begin with panels at the bottom of the tree and work towards the top.

2)Fan out branches, one to the right, one to the left and one at the centre, starting from tips farthest from the pole and curving out from the pole. Tips at the centre should be alternately placed so that they do not line up one behind the other. Each set of panels should have slightly upward curve when looked at from the side.

3)Twist the last tip around the end of stem to cover the wire.

4)As each panel is shaped, place the color/letter coded panel securely into appropriate panel holder following the construction diagram. Space each row evenly above the row beneath it. Continue this way to top row of branches.

Topping It Off:

1)When all panels are shaped and put in their appropriate brackets, shape top section. Put down each row of branches in an even circular pattern.

2)Starting from top bottom layer and further up.

3)Carefully curve each tip upward to create natural look.

4)Insert tree top securely into the pole.

5)Step back and take an overall look at the tree. Shift branches to fill any gaps, slightly upsweep all branch tips for a uniform look. Your tree is now ready for you to decorate and enjoy.

Storage Tips:

1.Pull out the plug from the wall outlet, and remove all ornaments and decorations.

2.Works bottom to top. Remove each panel, pressing branches against stem.

3.Place branches into carton with longest branches at the bottom.

4.Carefully store the tree in its box and tape it shut. Store carton in a loose and dry place.

5.Do not put the tree direct under sunlight or in a damp area or an area where the temperature exceeds 40.

6.Please save these instructions.