

12 month warranty

Thank you for your purchase.

Your new product is warranted to be free from defects in materials and workmanship for the period stated above, from the date of purchase, provided that the product is used in accordance with accompanying recommendations or instructions where provided. This warranty is in addition to your rights under the Australian Consumer Law. For New Zealand customers, this warranty is in addition to statutory rights observed under New Zealand legislation.

We will provide you with your choice of a refund, repair (where possible) or exchange (availability dependent) for this product if it becomes defective within the warranty period. The business will bear the reasonable expense of claiming the warranty. This warranty will no longer apply where the defect is a result of alteration, accident, misuse, abuse or neglect.

Please retain your receipt as proof of purchase and contact our Customer Service Centre as listed below, for the entity you purchased this product from, for any difficulties with your product. Warranty claims and claims for expense incurred in returning this product can be addressed to the respective Customer Service Centre.

Our goods come with guarantees that cannot be excluded under the Australian Consumer Law. You are entitled to a replacement or refund for a major failure and compensation for any other reasonably foreseeable loss or damage. You are also entitled to have the goods repaired or replaced if the goods fail to be of acceptable quality and the failure does not amount to a major failure.

Statement

- This product shall not be connected to power supply source exceeding PS1 (5V d.c. 1A).
- Battery cannot be subjected to high or low extreme temperatures, low air pressure at high altitude during use, storage or transportation.
- Disposal of a battery into fire or a hot oven, or mechanically crushing or cutting of a battery, that can result in an explosion.
- Leaving a battery in an extremely high temperature surrounding environment that can result in an explosion or the leakage of flammable liquid or gas.
- A battery subjected to extremely low air pressure that may result in an explosion or the leakage of flammable liquid or gas.

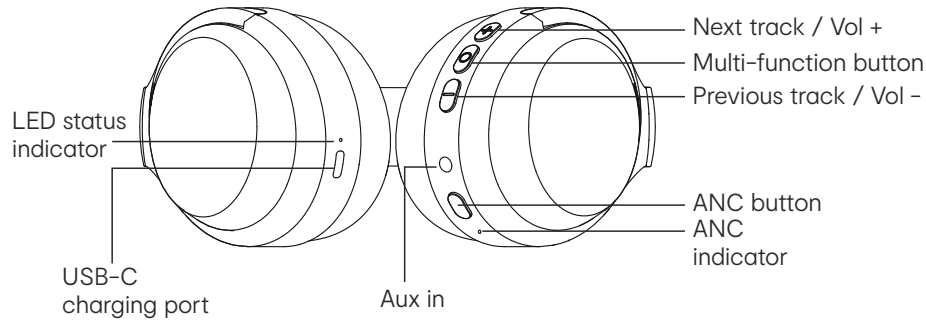
Noise Cancelling PRO Headphones Operating instructions

includes:

- › Bluetooth® headphone
- › Charging cable
- › Use manual
- › Audio cable



Function overview:



How to use these headphones:

Multi-function button operation

Pause click the multi-function button

Play click the multi-function button

Next song Press and hold the button +

Previous song Press and hold the button -

Power ON / OFF

Power ON

Press and hold the multi-function button 2 seconds and hear the prompt that it is turn on;

Power OFF

Press and hold the multi-function button 3 seconds and hear the prompt that it is turn off;

Volume Up Click the button +

Volume Down Click the button -

Voice Assistant Double click the multi function button 2 times.

ANC ON/OFF/Transparent mode switch

Click the ANC button

Music/gaming/cinema mode switch

Double click the ANC button

Noted: The multi-function button and volume button can not adjust when you use audio cable.

Specifications:

Model No:

22BN23

Version:

V5.4

Support profiles:

A2DP, AVRCP, HFP

Working Distance:

10 meters

Music Time:

up to 40 hours(ANC ON)/
60 hours(ANC OFF) play time

Pairing the headphones with Bluetooth devices

- › Once the headphone is powered on, it is in pairing mode (LED flashes) and will pair to the last paired device (if available).
- › Pair the headphone in Bluetooth menu in mobile phone and once it is paired, you can hear a pairing tone.
Bluetooth Name: 'anko43646715'

Phone calls

- › Click the multi-function button to pick up phone calls.
- › Click the multi-function button to hang up the calls.
- › Press and hold the multi-function button 1s to reject the calls.

Playing music

When the bluetooth headphone connects with the mobile phone via Bluetooth you can enjoy music through the headphone wirelessly.

The Bluetooth® word mark and logos are registered trademarks owned by Bluetooth® SIG, Inc., and any use of such marks by KMART AUSTRALIA is under licence.

Talk time:

Up to 34 Hours

Standby time:

Up to 200 Hours

Charging voltage:

DC 5V

Charge time:

2 hours

Cable length:

0.3m charging cable
1m audio cable

Battery Charging

This headphone is powered by rechargeable Li-ion battery.

Please use the accessory USB cable to recharge the battery.

- › Insert USB charging cable into a suitable USB port.
- › Connect charging cable with the headset USB port .
- › Indicator LED turns RED to show battery is charging.
- › Indicator LED turns green when battery is fully charged.
- › It takes about 2 hours to fully charge the battery.