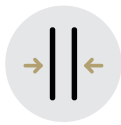


AUTOMATE™

12V Zero DC RF Q2.0

Simplified wiring. Efficient installation. Maintenance free.
This low voltage motor is perfect for small to medium shades in residential and small commercial projects.



NARROW SHADE WIDTHS

Shades can be made at a minimum width of 22 13/16 inches and powered using an external battery pack for door shading applications.



CONTINUOUS POWER

Choose from three power solutions; a powering cable, an external battery pack, or a DC distribution box that can power up to 18 motors.



PATENTED MOTOR HEAD DESIGN

Offers the smallest light-gap and antenna cable can be concealed within the motor head.



INNOVATIVE MOTOR CAP

Optional, custom-designed accessory for no visible wires.



EXTRA QUIET

Variable speed and soft-stop function makes this the quietest Automate motor yet.



ELEGANT SOFT STOP

Slows the motor down for a smooth stop to prevent damage to the shade, and preserves the life of the battery.



BATTERY CHECK ACTION

When connected to a battery and a Push5 remote, motor will move shade to indicate battery remaining.



SIMPLIFIED RETROFIT

Upgrade manual or motorized shade systems seamlessly to maintain existing deductions, achieve minimal light gap, and eliminate bracket adjustments.



7 YEAR WARRANTY



ARC™ (Automate Radio Communication) is Rollease Acmeda's proprietary technology utilizing 433MHz radio communication with bi-directional feedback that brings Automate motorized shading systems together.

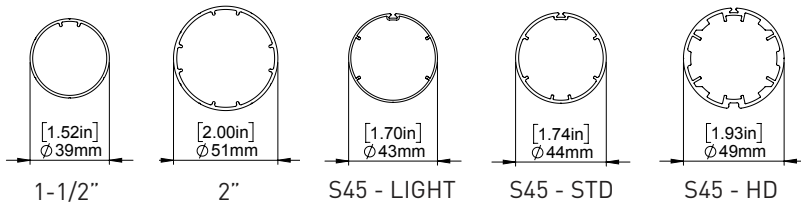
ROLLEASE ACMEDA®

PRODUCT SPECIFICATIONS

Part #: MT01-1228-069002 AUTOMATE|DC 2.0Nm ARC Motor[Ø28/12V/20rpm](SKY)

Voltage	12V DC	Limit Switch Type	Electronic
Torque	2.0Nm	Current	1.16A
Max Run Time	10 min.	Battery Size/Type	N/A
Speed	20 RPM (Adjustable to 24 or 28)	Temp Working Range	32°F to 140°F (0°C to 60°C)
Radio Frequency	433.92 MHz	Insulation Class	III
RF Modulation	FSK	Sound Level	~31 dB
IP Rating	IP20	Power	13 W

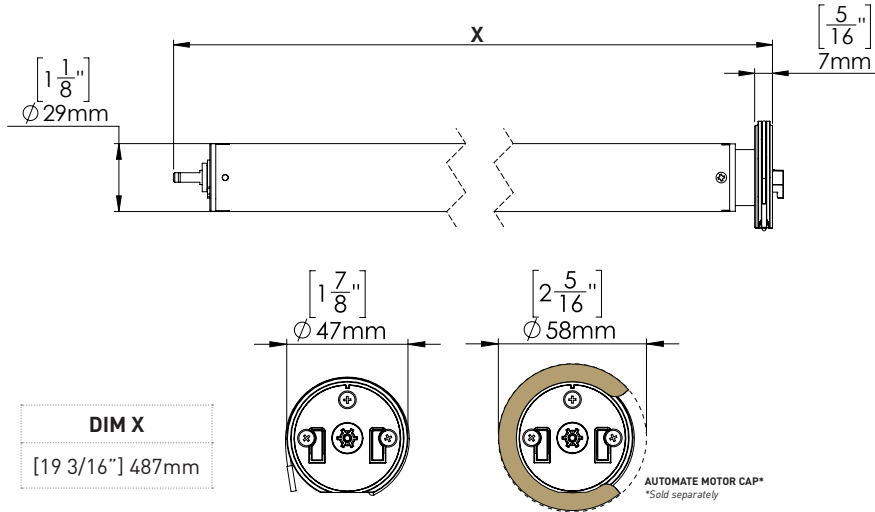
COMPATIBLE TUBES



APPLICATIONS

- Roller Shades
- Roman Shades

DIMENSIONS



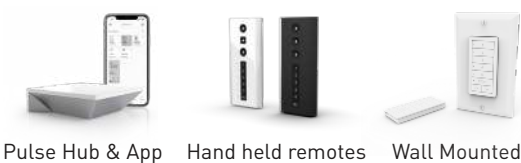
MOTOR HEAD ADAPTORS



- MT03-0205-069001 AUTOMATE | BRACKET ADAPTOR R8 SERIES
- MT03-0205-069002 AUTOMATE | BRACKET ADAPTOR R16-SERIES
- MT03-0206-069002 AUTOMATE | BRACKET ADAPTOR SKYLINE SERIES

COMPATIBLE PRODUCTS (refer to catalog for full item listings)

Controllers



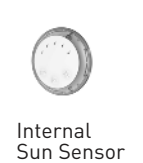
Charging Options



Motor Cap



Sensors



MT01-1228-069002_DCRF 2.0_v1.0_AUGUST2022