

EN



SPARE PARTS CATALOGUE

for AUTOTERM FLOW 14D

Manufacturer: ADVERS LLC

Representative office: AUTOTERM LLC

Paleju 72, Marupe, Latvia, LV-2167

Warranty Department warranty@autoterm.com

Technical Support service@autoterm.com

www.autoterm.com

This spare parts catalogue is intended for companies and individuals involved in installing, repairing, and maintaining liquid heaters AUTOTERM FLOW 14D.

This catalogue consists of two sections:

1. Contents of the installation kit of the heater (Figure 1, Table 1)
2. Schematic of the heater's spare parts (Figure 2, Table 2)

If a part fails during use of the heater, look for its designation in this catalogue to order a replacement from the manufacturer.



To facilitate ordering, use the manufacturer's spare parts numbers in the tables below.

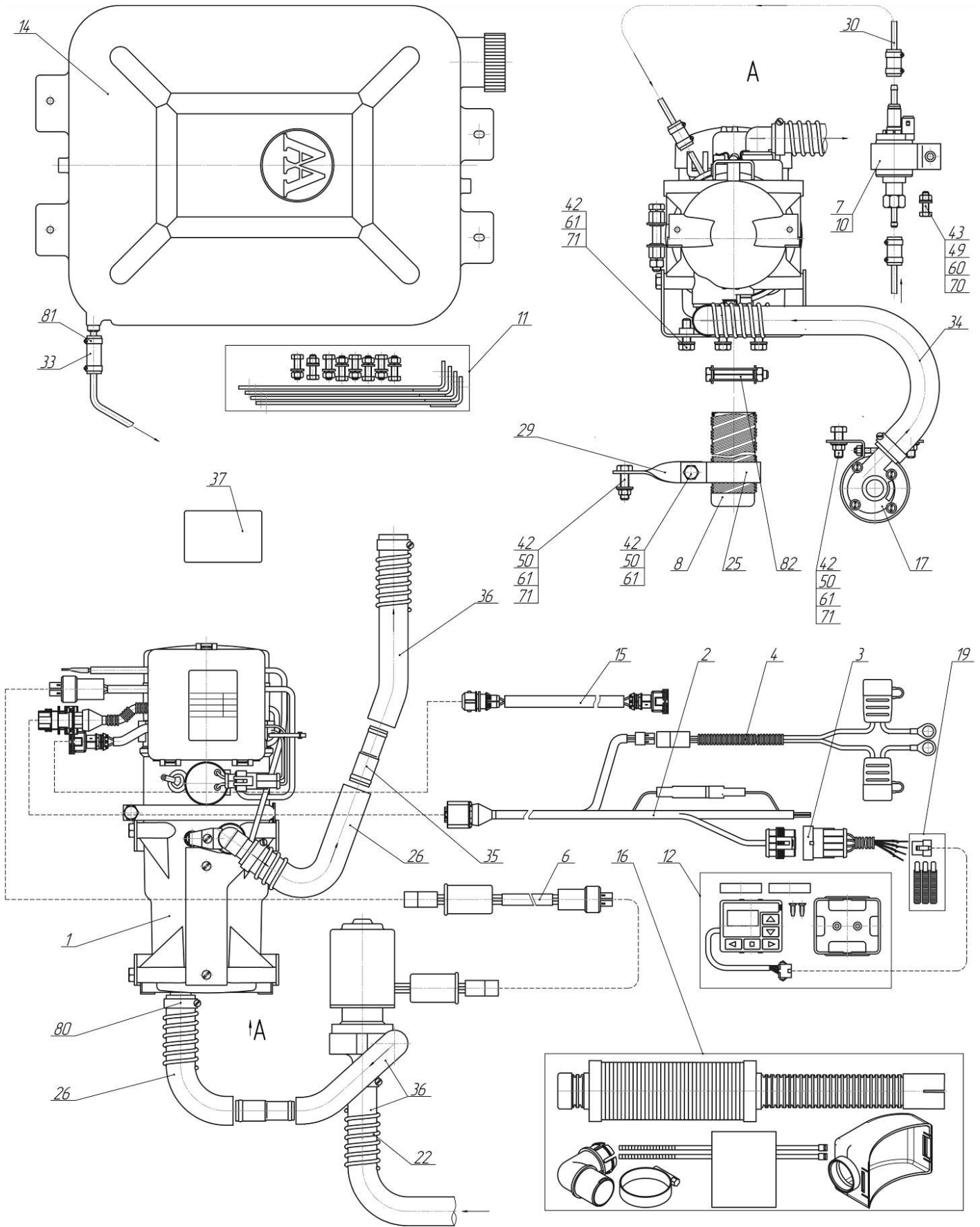


Figure 1 - Contents of the installation kit

Table 1

№	Part/assembly description and designation	Notes	Flow 14D ASSY 4810	Flow 14D ASSY4815	Flow 14D ASSY5255	Flow 5D ASSY 5260
	Pre-heater number		1	2	3	4
1	Heater					
	ASSY 4811	24V	1		1	
	ASSY 4816	12V		1		1
2	Wiring harness					
	ASSY 4393		1	1	1	1
3	Control panel harness					
	ASSY 4394	l=1,8m	1	1	1	1
4	Power supply harness					
	ASSY 73-01	24V	1		1	
	ASSY 1002	12V		1		1
6	Liquid pump harness					
	ASSY 76		1	1	1	1
7	Fuel pump					
	Dosing fuel pump P0636 24V		1			
	Dosing fuel pump P0630 12V			1		
	ASSY 5032	TH11-6,8ml-24V			1	
	ASSY 5030	TH11-6,8ml-12V				1
8	Exhaust pipe					
	ASSY 2321		1	1	1	1
10	Clamp for fuel pump					
	ASSY 1467		1	1	1	1
12	Control panel PU-27TM2					
	ASSY 4725		1	1	1	1
14	Fuel tank БТ13					
	ASSY 1065	13l	1	1	1	1
15	Fuel pump harness					
	ASSY 4071		1	1	1	1
16	Air intake with silencer					
	ASSY 3043		1	1	1	1
17	Liquid pump					
	ASSY 2175	П6.24V	1		1	
	ASSY 2760	П6.12V		1		1
18	Fuel tank БТ13 installation kit					
	ASSY 9032		1	1	1	1
19	Wiring harnesses mounting kit					
	ASSY 9041		1	1	1	1
22	Protective spring					
	p.4903		1	1	1	1
25	Clamp					
	p.2206		1	1	1	1
26	Coolant hose Ø20					
	p.2777	l=1000mm	1	1	1	1
29	Holder					
	p.132		1	1	1	1
30	Fuel supply line					
	p.73	l=5000mm	1	1	1	1
33	Sleeve					
	p.5147	l=250mm	1	1	1	1
34	Corner pipe					
	p.202		1	1	1	1

№	Part/assembly description and designation	Notes	Flow 14D ASSY 4810	Flow 14D ASSY4815	Flow 14D ASSY5255	Flow 5D ASSY 5260
	Pre-heater number		1	2	3	4
35	Pipe reducer 18x20					
	p.4957		2	2	2	2
36	Coolant hose Ø18					
	p.8	l=3000mm	1	1	1	1
37	Duplicate of label					
	p.5150		1		1	
	p.5151			1		1
41	Bolt M6x25		1	1	1	1
42	Bolt M8x25		7	7	7	7
49	Nut M6		1	1	1	1
50	Nut M8		4	4	4	4
60	Washer 6		1	1	1	1
61	Washer 8		7	7	7	7
70	Lock washer 6		1	1	1	1
71	Lock washer 8		6	6	6	6
80	Clamp Mikalor 20x32		10	10	10	10
81	Clamp Mikalor mini 10		10	10	10	10
82	Clamp Bosal 250-945		1	1	1	1

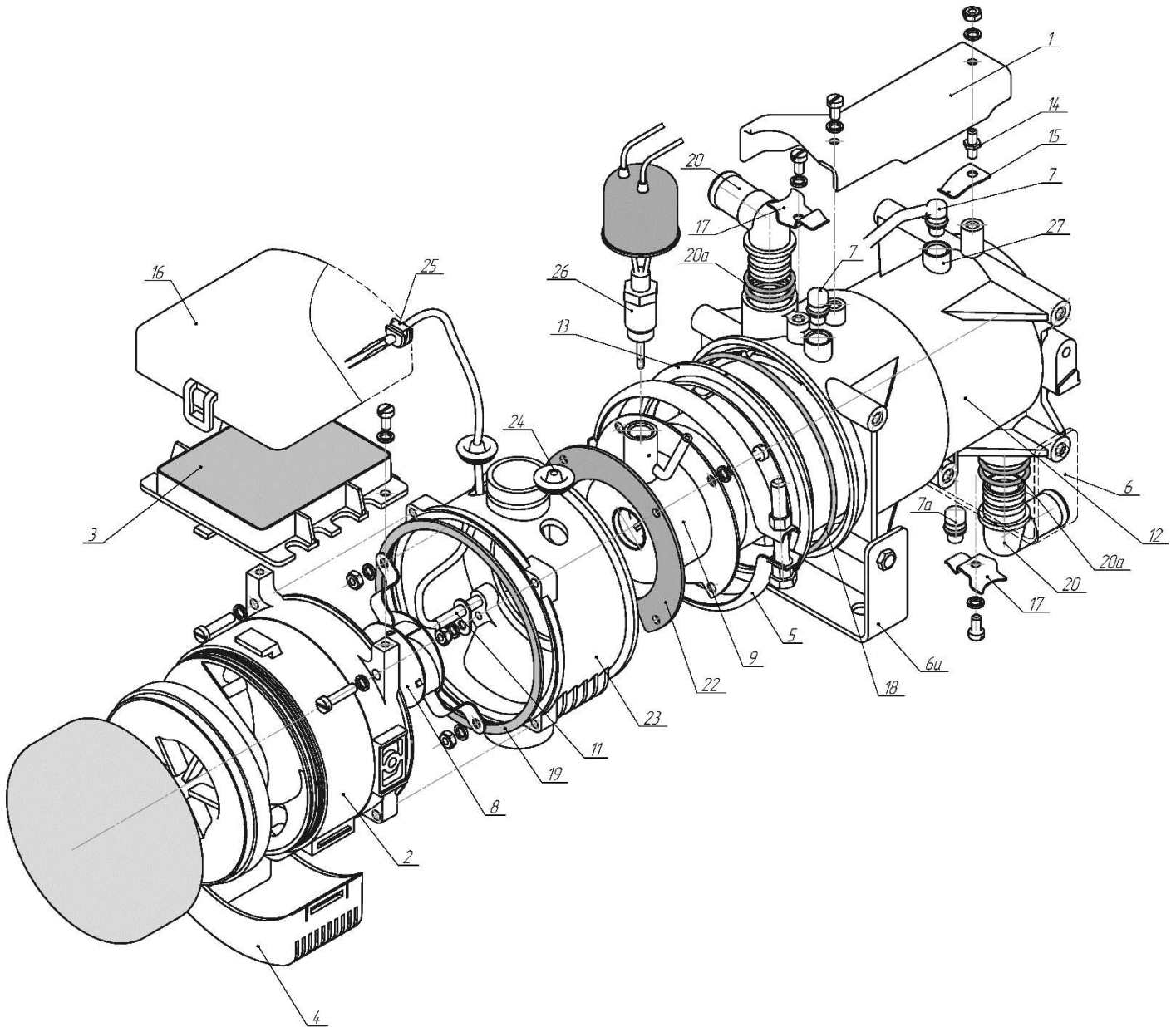


Figure 2 - Schematic of spare parts for the heater

Table 2

No	Part/assembly description and designation	Notes	ASSY 4811	ASSY 4816
	Heater number		1	2
1	Cover for wires and sensors			
	p.2308		1	1
	Screw M5x10		1	1
	Nut M5		1	1
	Washer 5		2	2
2	Air pump			
	ASSY 2356	24V	1	
	ASSY 2633	12V		1
	p.2821	Ring		1
	Screw M5x25		4	
	Screw M5x35			4
	Lock washer 5		4	4
3	Control unit			
	ASSY 4077	24V	1	
	ASSY 4084	12V		1
4	Air intake			
	p.2394		1	1
5	Clamp			
	ASSY 14		1	1
	Bolt M8x70		1	1
	Nut M8		1	1
	Lock washer		2	2
6	Mounting bracket 1			
	ASSY 2352		1	1
	Screw 6x16		2	2
6a	Mounting bracket 2			
	ASSY 2353		1	1
	Screw 6x16		2	2
7	Temperature sensor set			
	ASSY 3470		1	1
7a	Dummy sensor			
	ASSY 3388			
8	Swirler			
	ASSY 65		1	1
9	Combustion chamber			
	ASSY 2354		1	1
	Bolt M5x20		1	1
	Bolt M5x25		3	3
	Lock washer 5		4	4
	Washer 5		4	4
	Nut M5		3	3
11	Flame indicator			
	ASSY 1914		1	1

No	Part/assembly description and designation	Notes	ASSY 4811	ASSY 4816
	Heater number		1	2
	p.2065	Flame indicator seal	1	1
12	Casing			
	p.2301		1	1
13	Heat exchanger			
	p.2302		1	1
14	Bushing			
	p.3563		1	1
15	Clamp			
	p.18		1	1
16	Control unit cover			
	p.230			
17	Clamp			
	p.2393		1	1
	Screw M5x10 DIN 7500		1	1
	Lock washer 5		1	1
18	O-ring			
	p.59		1	1
19	Gasket			
	p.2397		1	1
20	Elbow			
	p.149		2	2
20a	O-Ring			
	p.64		4	4
22	Gasket			
	p.2396		1	1
23	Adapter			
	p.2303		1	1
24	Sealing			
	p.21		1	1
25	Rubber seal			
	p.2066		1	1
26	Glow plug			
	ASSY 3000	AD-12V	1	1
	p.198	Plug washer	1	1
	Clamp Mikalor 25x40		1	1
27	Bushing and ring			
	p.3561	Bushing	1	1
	p.3562	Ring	1	1