

Meat Saw

#177EMBS65SS

CAUTION:

This unit has a sharp blade. We are not responsible for any injuries resulting from improper operation of this machine. Take care while assembling and operating to avoid injury. Use caution when cleaning the saw blade.

General Cleaning

1. Clean and remove excess product from scraper.
2. Wipe down all touched surfaces.
3. Remove all excess product buildup.

Daily Cleaning & Maintenance

1. Before beginning to clean, turn off the unit and unplug from the electrical outlet. Make sure the unit is cooled completely.
2. Wear cut-resistant gloves during cleaning for safety.
3. Remove any excess food material and discard.
4. Inspect the unit and blade to ensure there is not any breakage or corrosion.
5. Wipe down all surfaces with hot, soapy water. Let the unit air dry completely before next use.
6. Remove any excess product from the scraper.
7. Remove the scraper by loosening the scraper protection knob. Then, pull the scraper blades toward you to remove them from the machine.

How To Clean Avantco Meat and Bone Saw Parts

1. Use a standard, three-compartment sink cleaning method.
2. Wash the parts in hot, soapy water with a long bristle brush.
3. Rinse all parts with hot water.
4. Sanitize all parts with Noble Sanitation Cleaner (Noble Chemical QuikSan Sanitizer).

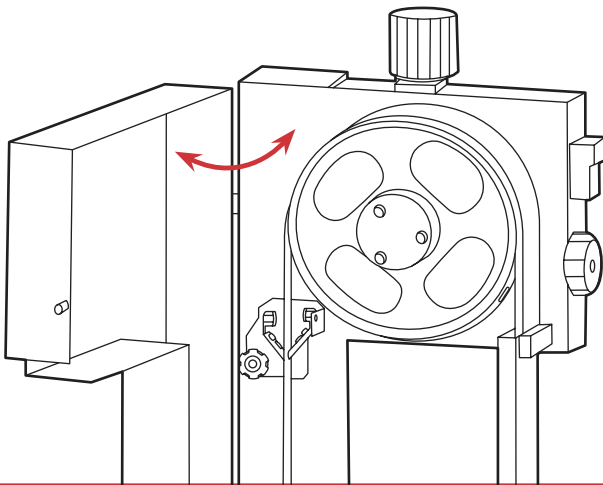
Monthly Cleaning

1. Before beginning to clean, turn off the unit and unplug from the electrical outlet. Make sure the unit is cooled completely.
2. Wear cut-resistant gloves during cleaning for safety.
3. Inspect the unit to ensure there is not any breakage or corrosion on any parts.
4. For best performance, clean the blades with hot, soapy water and towel dry. Once dry, apply a coat of food-grade oil on the blades to prevent rusting.

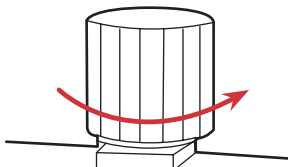
Blade Replacement

- Some maintenance can be done on an as-needed basis.
- Before performing any maintenance or cleaning, turn off the unit and unplug from the electrical outlet. Give time for the machine to cool completely before inspecting the unit and blade for breakage or corrosion.

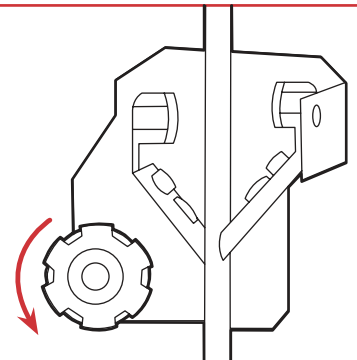
1. Open the upper and lower cavity doors.



2. Loosen the tension knob at the top to take the blade off the wheels.



3. Loosen the scraper protection knob just enough to take the scraper off the machine.



4. Clean the blade and scraper with hot water and a brush. **Note:** Follow the instructions on How to Clean Avantco Meat and Bone Saw Parts on page 1.
5. Once dry, replace the scraper and tighten it in place by adjusting the scraper protection knob.
6. Place the new blade over both wheels, facing forward with the teeth flush with the edge of the wheel.
7. Secure the blade in place by tightening the tension knob.
8. Close both the upper and lower cavity doors.