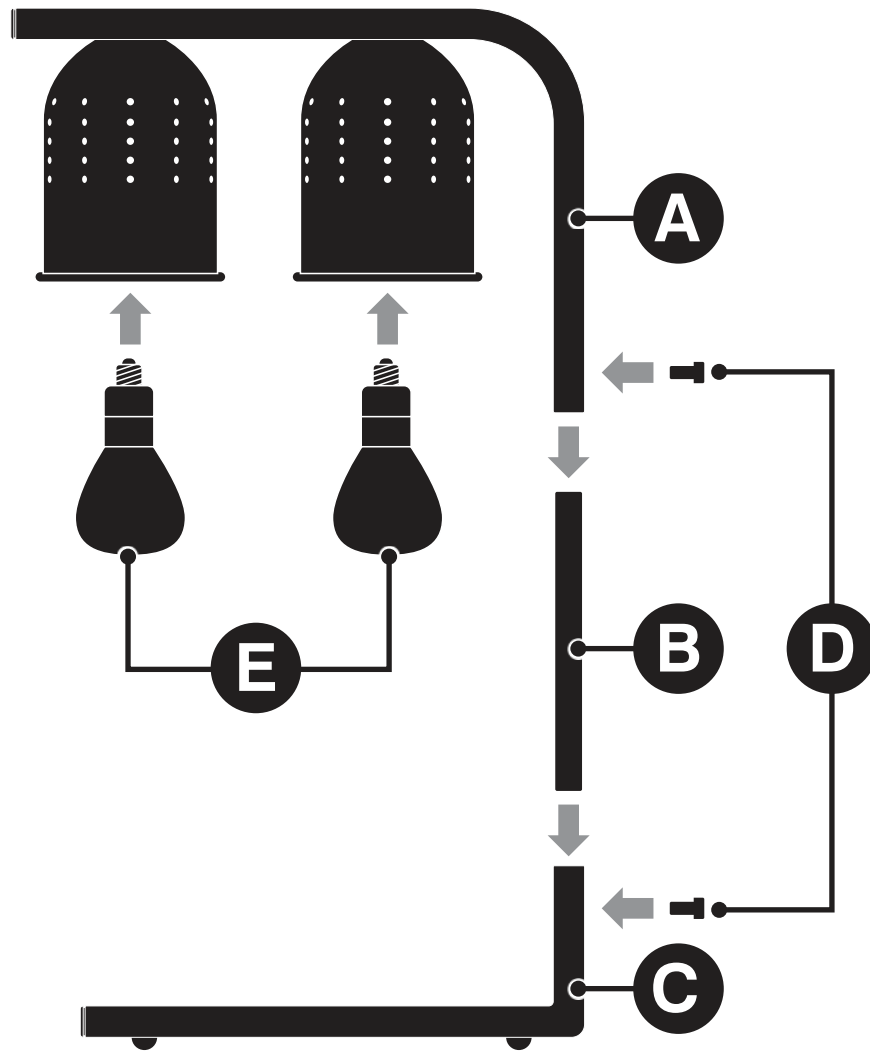


2 Bulb Food Warmers



1. Place Bottom Lamp Frame (C) on a stable, flat surface.
2. Insert the Middle Lamp Frame (B) into Bottom Lamp Frame (C) and secure with Screw (D).
3. Insert Top Lamp Frame (A) into Middle Lamp Frame (B) and secure with Screw (D).
4. Screw Shatterproof Bulbs (E) into socket. (Bulbs included in box)
5. Plug power cord into appropriate socket and switch unit on to check the bulbs.
6. The appliance is now ready for use.



Item: 177W62, 177W62BLK, 177W62GLD,
177W62GRN, 177W62RD, 177W62SS

12/2020