



## Adjustable Speed Conveyor Toasters



Intertek  
4003027  
5009704



Intertek  
4003027  
5009704

CONFORMS TO NSF STD. 4  
CONFORMS TO UL STD. 197  
CONFORMS TO CSA STD.C22.2 NO 109

**Models:** 184T140, 184T3300B, 184T3300D,  
184T3600B, 184T3600D

***Please read and keep these instructions. Indoor use only.***

## Index

Important Safety Information.....	3
Specifications.....	4
Clearance.....	4
Discharge Assembly .....	5
Stacking Kit .....	5
Before Use .....	6
Operation Instructions .....	6-7
Cleaning & Maintenance .....	7
Troubleshooting .....	8

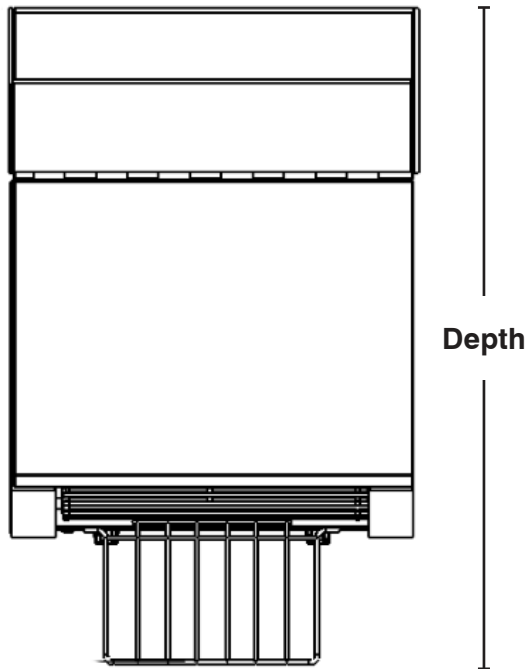
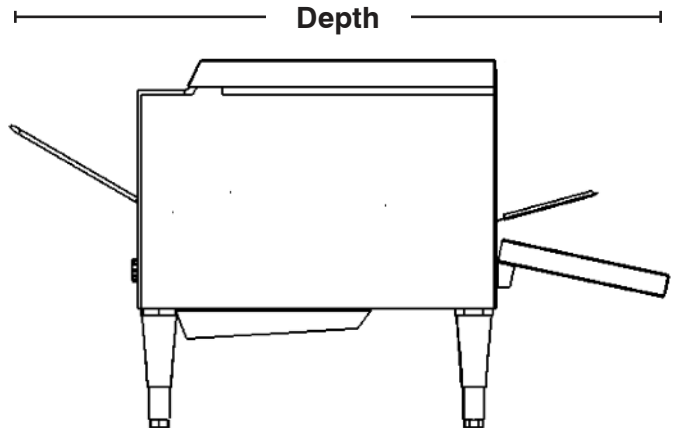
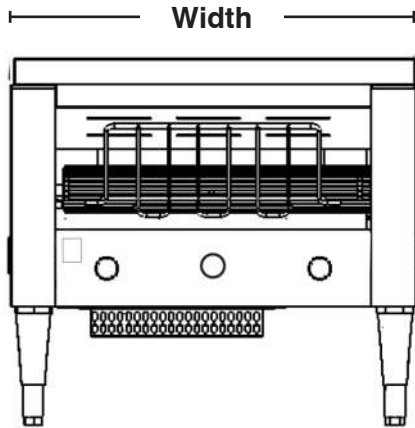
## Important Safety Information

When using electrical appliances, basic safety precautions should always be followed, including the following:

1. Read all instructions carefully and completely.
2. For commercial use only.
3. DO NOT touch hot surfaces.
4. Protect against electrical shock by keeping all cords, plugs, and other electrical components away from water or other liquids.
5. Unplug this unit when not in use and before cleaning.
6. Allow the unit to cool before putting on or taking off parts.
7. DO NOT operate this or any appliance with a damaged electrical cord or plug.
8. DO NOT operate this or any appliance after it has malfunctioned or has been damaged in any way.
9. DO NOT use outdoors.
10. DO NOT place on or near a hot gas or electric burner.
11. Attach plug to appliance first, then plug electrical cord into the wall outlet.
12. Disconnect the unit by removing the electrical plug from the wall outlet.
13. DO NOT use appliance for any application other than intended use.
14. DO NOT insert metal utensils or oversized foods into this unit, as they may cause a fire and heighten the risk of electrical shock.
15. DO NOT store any item on top of this unit when in operation.
16. DO NOT allow this conveyor toaster to touch or to be covered by flammable material, such as curtains, draperies, walls, etc., when in operation.
17. DO NOT clean with metal scouring pads, as pieces can break off and touch electrical components, heightening the risk of electrical shock.
18. Never place materials such as paper, cardboard, plastic, etc. in this conveyor toaster.
19. DO NOT cover interior of this unit with metal foil, as it may cause the conveyor toaster to overheat.
20. Avoid scratching the surface or nicking the edges of this unit. If the conveyor toaster is damaged or broken, contact customer service before use.
21. Turn off the appliance by removing the plug from the wall outlet.
22. Note that the use of accessories not recommended by the manufacturer may result in injury.
23. Children should be supervised to ensure that they DO NOT play with the conveyor toaster.
24. This appliance is not intended for use by persons (including children) with reduced physical sensory or mental capabilities, or lack of experience and knowledge, unless a person responsible for their safety has given them supervision or instruction concerning use of the appliance.
25. When using the appliance in shops, snack bars, hotels, etc., check the voltage and outlet to make sure the appliance is correctly connected with power.
26. Place unit on a flat surface that is well ventilated. The appliance must be supervised during operation. DO NOT leave appliance without powering off.

**NOTE: Save these instructions for future reference.**

## Specifications



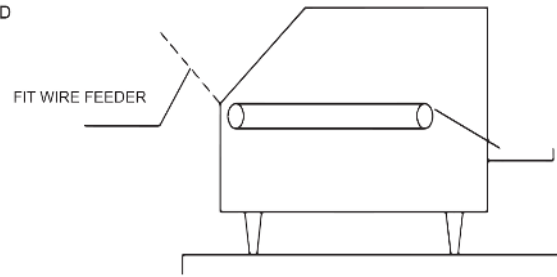
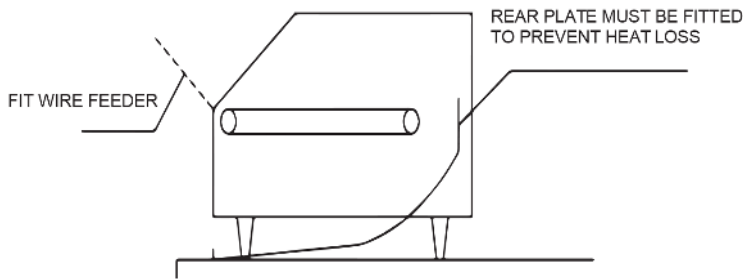
Model	Belt Width	Width	Depth	Height
184T140	10"	14½"	30"	16½"
184T3300B	10"	14½"	17"	16½"
184T3300D	10"	14½"	17"	16½"
184T3600B	14½"	18½"	18"	16½"
184T3600D	14½"	18½"	18"	16½"

## Clearance

- Front Discharge Operation: Allow a minimum clearance of 3" along the sides and rear of unit. Allow a minimum clearance of 12" in the front.
- Rear Discharge Operation: Allow a minimum clearance of 3" along the sides of the unit. Allow a minimum clearance of 12" in the front and rear.
- DO NOT locate toaster under shelving or closer than 12" from the ceiling.
- If safe distances are not maintained, discoloration or combustion could occur.

## Discharge Assembly

As detailed in the diagrams below, the unit can either be assembled with front or rear discharge depending on installation position and preference.



### Front Discharge

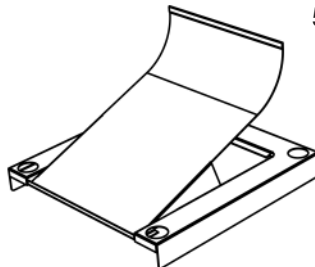
1. Pull metal plate up to the closed position and latch. This will direct food to the bottom of the toaster.
2. Pick up the longer of the two chutes.
3. Slide the flanged end of the chute up underneath the toaster.
4. Rest the flanged end of the chute onto the interior ledge.

### Rear Discharge

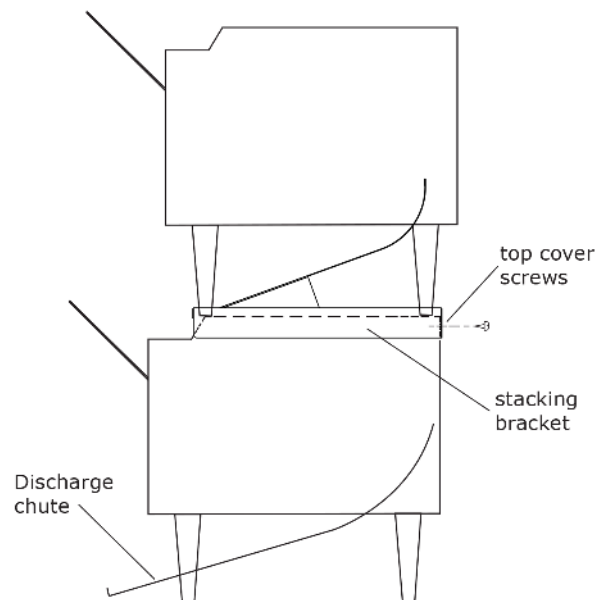
1. Push the metal plate down to the open position. This will direct food to the back of the toaster.
2. Loosen the two rear screws.
3. Pick up the smaller of the two chutes.
4. Slide the two keyholes on the chute behind the loosened screws. If the chute does not fit all the way down, loosen the screws more.
5. Tighten the screws to secure the chute to the toaster.

## Stacking Kit

#184STK10 - 10" Wide  
#184STK145 - 14½" Wide



1. To mount, set up both toasters for front discharge.
2. Remove the two rear top cover screws from the bottom toaster.
3. Place the stacking bracket onto the top cover of the toaster.
4. Replace the two top cover screws, securing the stacking bracket in place.
5. Remove the discharge chute from the toaster to be placed on top.
6. Place the toaster onto the bracket, ensuring the leveling feet locate into the holes in the stacking bracket.



## Before Use

Before cooking anything in your conveyor toaster for the first time, please follow these simple instructions:

### CAUTION

- **DO NOT TOAST PRE-BUTTERED BREAD AND/OR BUNS.**
  - **DO NOT USE THIS UNIT TO MELT CHEESE AND/OR HEAT SANDWICHES.**
  - **This unit is designed to toast plain bread and/or buns. Using this unit to toast high fat, oily, and/or greasy products may lead to excess grease build-up and become dangerous. Doing so may void the warranty**
1. This conveyor toaster has been designed to continuously produce toasted bread or buns. The desired toasted color of the product can be adjusted by changing the belt speed of the conveyor. Depending on installation position, the toasted product can be discharged to the front or rear of the unit.
  2. Set the toaster upright on a flat and level surface. The unit can then be leveled using the adjustable part of the leg.  
**NOTE: THE UNIT MUST NOT BE USED WITHOUT THE FEET BEING INSTALLED.**
  3. Thoroughly clean as described in the cleaning section of this manual (page 7).
  4. For best results, allow the unit to preheat for 20-25 minutes before use so that the correct operating temperature can be reached.
  5. Try several pieces of bread to determine the correct speed and temperature to achieve the desired browning of toast.  
**NOTE: Cooler products and products with more moisture will take longer.**  
**NOTE: Sugar content of the bread will affect the browning color.**

## Operation Instructions

**NOTE:** For best performance do not overload the toaster. Wait for a few seconds before loading the second row of bread into the toaster.

### 184T140

This unit has two controls.

1. **Speed/Color Control**  
Determines the length of time the toast or product is in the heating chamber. The slower the speed, the longer the exposure and the darker the product.
2. **Heat Control**
  - "OFF" In this position, the unit is off.
  - "STANDBY" In this position, the conveyor belt will run and both top and bottom elements will operate at 25% capacity. This mode is designed to keep the unit warm in quiet periods to reduce start up time and conserve energy.
  - "BREAD" In this position, both top and bottom elements operate at full capacity. This is the ideal mode for toasting bread.
  - "BUNS" In this position, only the top element operates at full capacity. This is the ideal setting for toasting one side only of a bun.

## 184T3300B • 184T3300D • 184T3600B • 184T3600D

These units have three controls. The top and bottom heating elements are independently controlled.

### 1. **Speed/Color Control**

Determines the length of time the toast or product is in the heating chamber. The slower the speed, the longer the exposure and the darker the product.

### 2. **Heat Control Top/Bottom Element - Infinitely Adjustable**

- "0" Off Position
- "1" Lowest Setting
- "6" Hottest Setting

As described above, product appearance or color is dependent on conveyor speed and type of product. These other factors may also affect the toasting color:

- i. Moisture content of the product.
- ii. Sugar content of the product.
- iii. Initial product temperature.

## Cleaning & Maintenance

### **⚠ CAUTION ⚠**

- THIS APPLIANCE SHOULD NOT BE IMMERSSED IN WATER.
- USE ONLY A DAMP CLOTH OR SPONGE DIPPED IN SOAPY WATER.
- DO NOT USE STEEL WOOL AS IT WILL DAMAGE THE BRIGHT STAINLESS STEEL FINISH.

### **Exterior & Crumb Tray**

1. Unplug the power cord from the wall outlet.
2. Wait for the conveyor toaster to cool.
3. Wipe off the unit with a dry cloth and wait at least half an hour before reconnecting to the power outlet.
4. Remove the crumb tray from the unit by pulling forward. Dispose of the crumbs and clean the tray with a damp cloth or sponge dipped in soapy water.
5. Refit the tray before reusing the unit.

### **Conveyor Belt**

1. Turn off the toaster and allow the unit to cool down.
2. Turn the unit on and set to Standby Mode. Adjust the belt to slow speed.
3. Using an abrasive pad, wipe the conveyor belt in a back and forth motion (side to side) to remove baked-on product.
4. Finally, clean the belt with a damp cloth in the same manner described in number 3.



**SUGGESTED CLEANER**  
Noble Chemical QuikSan Food Contact & Surface Sanitizer

## Troubleshooting

Symptom	Probable Cause	Potential Solutions
Toast is too light	Color Control Knob set on a light setting.	Turn Color Control Knob to a darker setting.
	Unit not warmed up.	The unit needs 20-30 minutes to fully warm up before toasting.
	Supply voltage to unit is too low.	Verify the supply voltage to the toaster matches the unit specifications.
Toast is too dark.	Color Control Knob set on a dark setting.	Turn Color Control Knob to a lighter setting.
	Supply voltage to unit is too high.	Verify the supply voltage to the toaster matches the unit specifications.
Unit is not working at all.	Unit not plugged in.	Plug unit into proper power supply.
	Unit is overheated	Check to ensure hot air from other sources is directed away from the front of the unit.
Unit toasts on one side only.	184T140: The toaster is set to the Buns setting (one-sided toasting)	Adjust the knob to the BREAD setting (dual-sided toasting).
	184T3300/3600: Only one Element Dial is engaged.	Ensure both the Top and Bottom Element dials are set to a toast setting.
	Heating element defective.	If the Heating Element does not glow, contact an Authorized Service Agent.
Toaster trips the circuit breaker or GFCI.	Circuit breaker is not sized properly for the toaster.	Check circuit breaker for proper sizing.
	Wiring fault inside toaster.	Contact an Authorized Service Agent.