

# INSTRUCTION MANUAL

# ICE3000



Read before using

## TABLE OF CONTENTS

Introduction	3
Description	4
Technical Specifications	6
Solutions to potential problems	7

[f/Bandaaudioparts](#) [t/banda\\_audioparts](#) [@BandaAudiopartsOfficial](#)

Visit [www.bandaaudioparts.com](http://www.bandaaudioparts.com)

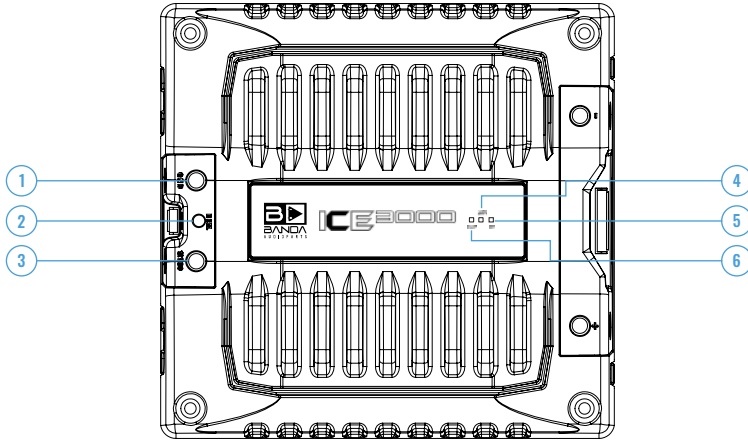


## INTRODUCTION

- Congratulations! You have just purchased a product with Banda Audioparts quality. Developed by qualified engineers and in a high-tech laboratory.

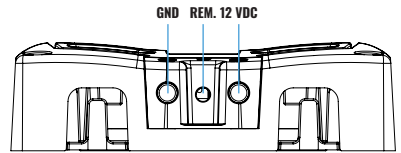
To ensure optimal operation, please read this manual carefully before using the product. Keep the manual in a safe and accessible place for future reference.

## DESCRIPTION



## POWER UNIT

- 1 GND INPUT**  
Connect to the vehicle chassis (Ground)
- 2 DRIVE INPUT 12VDC (+)**  
Connect electrical antenna (Remote)
- 3 12VDC POSITIVE INPUT**



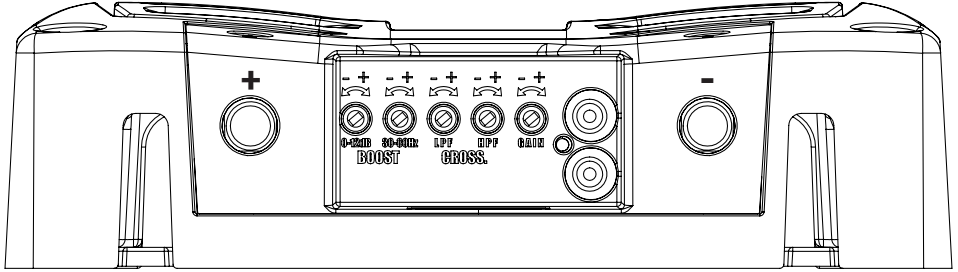
**NOTE: USE EXTERNAL FUSE**

## FRONT PANEL (LEDS)

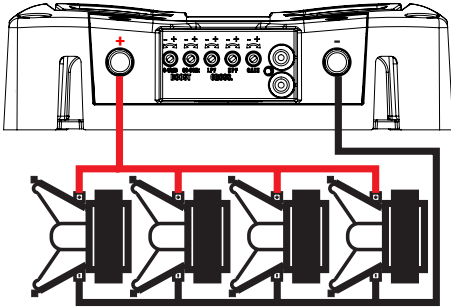
- 4 Yellow:** Battery voltage below specified (flashing)
- 5 Blue (ON):** ON
- 6 Red (SHORT):** Protection  
Output short (check speakers)/Temperature above limit

# DESCRIPTION

## SIDE



## CONNECTION EXAMPLES



ICE 3000 1 ohm

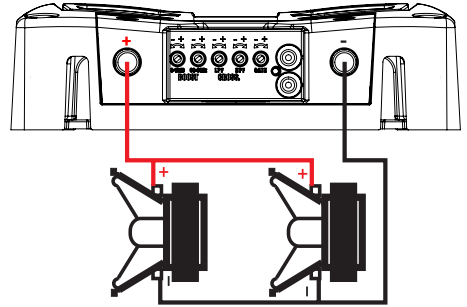
ICE 3000 2 ohms

4 Woofers or  
Subwoofers

4 Woofers or  
Subwoofers

4 ohms @ 750Wrms  
each connected in  
parallel resulting in  
3000Wrms @ 1 ohm

8 ohms @ 750Wrms  
each connected in  
parallel resulting in  
3000Wrms @ 2 ohms



ICE 3000 1 ohm

ICE 3000 2 ohms

2 Woofers or  
Subwoofers

2 Woofers or  
Subwoofers

2 ohms @ 1500Wrms  
each connected in  
parallel resulting in  
3000Wrms @ 1 ohm

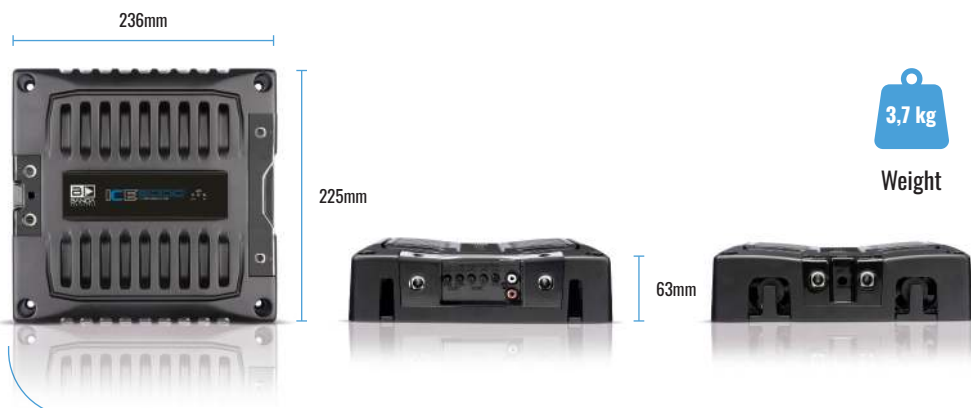
4 ohms @ 1500Wrms  
each connected in  
parallel resulting in  
3000Wrms @ 2 ohms



## TECHNICAL SPECIFICATIONS

MODEL	ICE 3000 1 Ohm	ICE 3000 2 Ohms
	12,6V 1ohm - 3000Wrms	12,6V 2ohms - 3000Wrms
	12,6V 2ohms - 2100Wrms	12,6V 4ohms - 1700Wrms
Efficiency Nominal Impedance	76%	82%
Tension	9 - 15V	
Input Impedance	100K Ohms	
THD + N	< 1%	
Input Sensitivity	~150mV - 8V	
Signal-to-noise ratio	80dB	
Frequency Response	16Hz to 20KHz (-3dB)	
Bass Boost	30Hz to 80Hz	0 to +12dBs
HPF	16Hz - 160Hz	
LPH	80Hz - 20KHz	
Recommended Fuse	150A	
Quiescent Current	≈2,5A	
Maximum Current (sinusoidal signal)	360A	320A
Maximum Current (musical signal)	180A	160A
Power Cords	35mm (recommended minimum)	

## DIMENSIONS



## SOLUTIONS TO POTENTIAL PROBLEMS

PROTECTION SYSTEM	PROBLEM	SOLUTION
Blue & Red LED On	Amplifier temperature has reached the operating limit.	Install the appliance in a well-ventilated place and ensure that the ventilation system is not obstructed. The amplifier will return to normal operation as soon as the temperature drops.
Blue LED on and Red flashing with no audio on output	Short circuit in the audio output or impedance of the speakers below the rated impedance of the amplifier.	Make sure that there is no short circuit in the speaker connection cables and that there is no shorted speaker connected to the system, or that the impedance of the speakers is not less than the minimum impedance of the amplifier.
Blue LED on and Red LED flashing as per the music	LED clipping indicating that the distortion in the output is going over 5%.	The system can operate with the amplifier with the Clip LED flashing, but the speakers connected to the output will suffer coil overheating due to Clip distortion.
Flashing Yellow LED	Amplifier input voltage below 9V.	Check the charge of the batteries where the amplifier is connected. In addition, poor contact in the power cables can also generate voltage drops. Check the voltage at the input of the amplifier and the output of the batteries to verify that the voltage drop is not occurring in the cables or connections.
Red LED and Yellow LED on	Problem with the amplifier.	Please refer to our nearest authorized service center.



# WARRANTY TERMS

Warranty valid for 12 months (one year), starting from the date of purchase, if purchased from an authorized Banda Audioparts dealer. Will be covered by warranty components and/or parts comproved that shows failures in process manufacture or damaged components.

Warranty don't cover:

1. Equipment, parts or components previously altered by unauthorized people.
2. Damages caused by accidents (fall, crash, etc) or natural disasters (overflow, burning, etc).
3. Improper instalation (improper wiring, abuse, installation out of specifications).
4. Shipping costs

In case needed any repair, contact the dealer for warranty instructions.

## ADDRESS:

Banda Audioparts

Rua Sofia Atauri Fadin, 256

Neighborhood: Santa Terezinha II

Paulínia - SP

Brazil

Zip Code: 13148-142

**NOTE:** If out of warranty, repair costs (if needed) will be charged from client.

Phone: 55 (19) 3844-7173

e-mail: [banda@bandaaudioparts.com.br](mailto:banda@bandaaudioparts.com.br)

Banda Audioparts reserved rights to alter characteristics of the product without previously advice.

## WARRANTY REGISTRATION:

Name:.....

Register:..... Date:..... Phone:.....

Address:.....

Dealer:..... Phone:.....