



BEAMZ
MADE
EAZY

153.676 V1

STROBEMOON

QUICK START GUIDE

UNPACKING INSTRUCTION



CAUTION! Immediately upon receiving the product, carefully unpack the carton, check the contents to ensure that all parts are present, and have been received in good condition. Notify the shipper immediately and retain packing material for inspection if any parts appear damaged from shipping or the package itself shows signs of mishandling. Save the package and all packing materials. In the event that the product must be returned to the factory, it is important that the product be returned in the original factory box and packing.

If the unit has been exposed to drastic temperature fluctuation (e.g. after transportation), do not switch it on immediately. The arising condensation water might damage your unit. Leave the unit switched off until it has reached room temperature.

POWERSUPPLY

On the label on the backside of the unit is indicated on this type of power supply must be connected. Check that the mains voltage corresponds to this, all other voltages than specified, the light effect can be irreparably damaged. The product must also be directly connected to the mains and may be used. No dimmer or adjustable power supply.

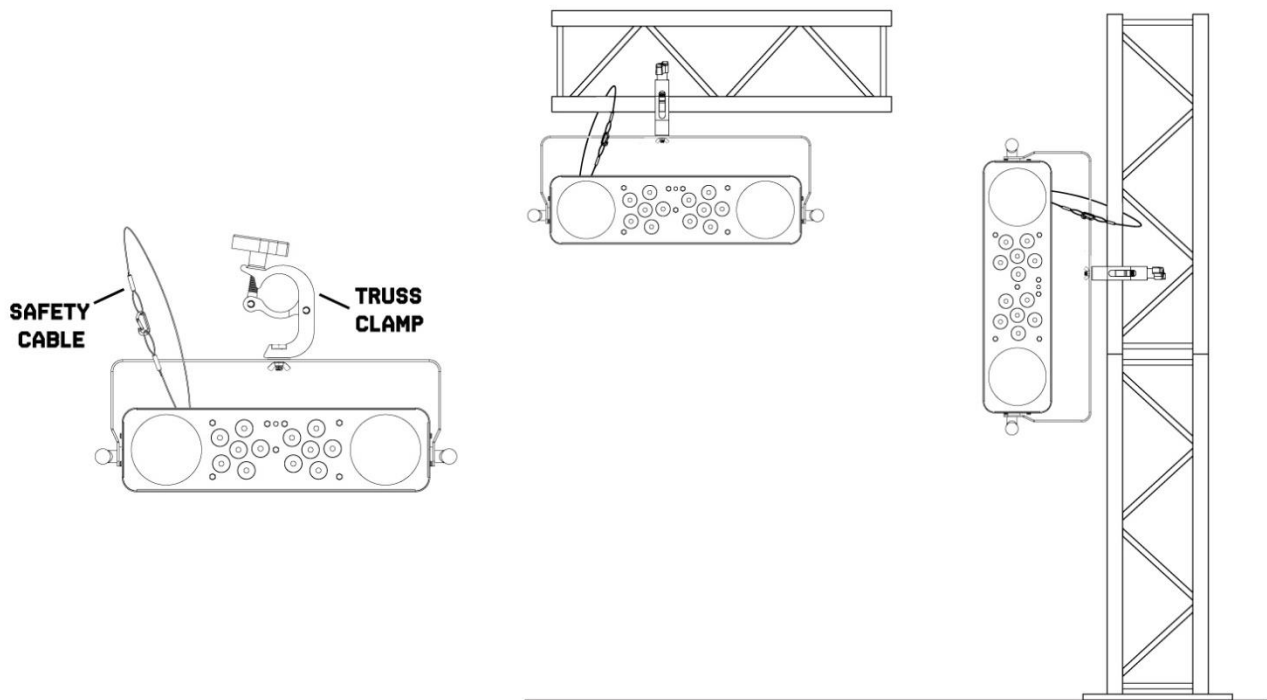


WARNING! Always connect the unit to a protected circuit (circuit breaker or fuse). Make sure the unit has an appropriate electrical ground to avoid the risk of electrocution or fire.

RIGGING

The unit may be set up on a stable and even surface. By means of the fixing facilities of the baseplate, the unit can also be mounted upside down to a truss, see below picture. For fixing, certified clamps with correct safe working load are required. The mounting place must be of sufficient stability and be able to support a weight of 10 times of the unit's weight. Secure the unit with a safety cable so that it cannot fall down.

When carrying out any installation, always comply European and national guidelines concerning rigging, truss and all other safety issues. Always let the installation checked out by an authorized dealer!



REMOTE CONTROLLER

DMX MODE

No function

BLACK OUT MODE

Press **BLACK OUT** off existing modes. Press **BLACK OUT** return the last modes.

AUTO MODE

Automatic mode will enable you to run the automatic programs on the product.

To turn on Automatic mode:

1. Press **AUTO** on the remote controller.
2. Press **+** or **-** to choose between the different auto programs.

SOUND MODE

Sound-Active mode will enable the product to respond to the music.

To turn on Sound-Active mode:

1. Press **SOUND** on the remote controller.
2. Press **+** or **-** to choose between the different sound programs.

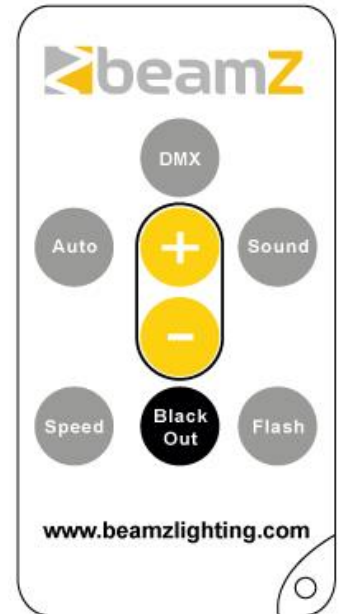
SPEED MODE

To adjust the speed of the automatic program and the sound active program.

1. Press **SPEED** on the remote controller.
2. Press **+** or **-** to either increase or decrease the speed of the program.

FLASH MODE

1. Press **FLASH** on the IRC.
2. Press **+** or **-** to adjust the flash rate.
3. Press **FLASH** again to turn off the flash.



CONTROL MENU

MENU		DESCRIPTION
STAT	S01-20	Select static colour
AUTO	Au1-4	Auto program
SOUN	So1-4	Sound program
SPEE	SP1-9	Adjust speed
SENS	SE1-9	Adjust microphone sensitivity
DIMM	D11-9	Master dimmer
STRO	on/off	Enable or disable strobe program
SILE	on/off	Silent scene by sound program
INFR	on/off	Enable or disable IR remote



BEAMZ

**YOUR FUTURE
YOUR SKILLS
YOUR PLATFORM
YOUR PARTY
YOUR EVENT**



is a leading developer of lighting products, including intelligent DMX moving heads, wireless battery operated DMX effects, static washes, sound-activated club effects, strobes & blacklights, LED lighting, fog and special effects machines, lasers and indoor and outdoor architectural lighting, as well as lighting controllers and protective bags.

