

belkin

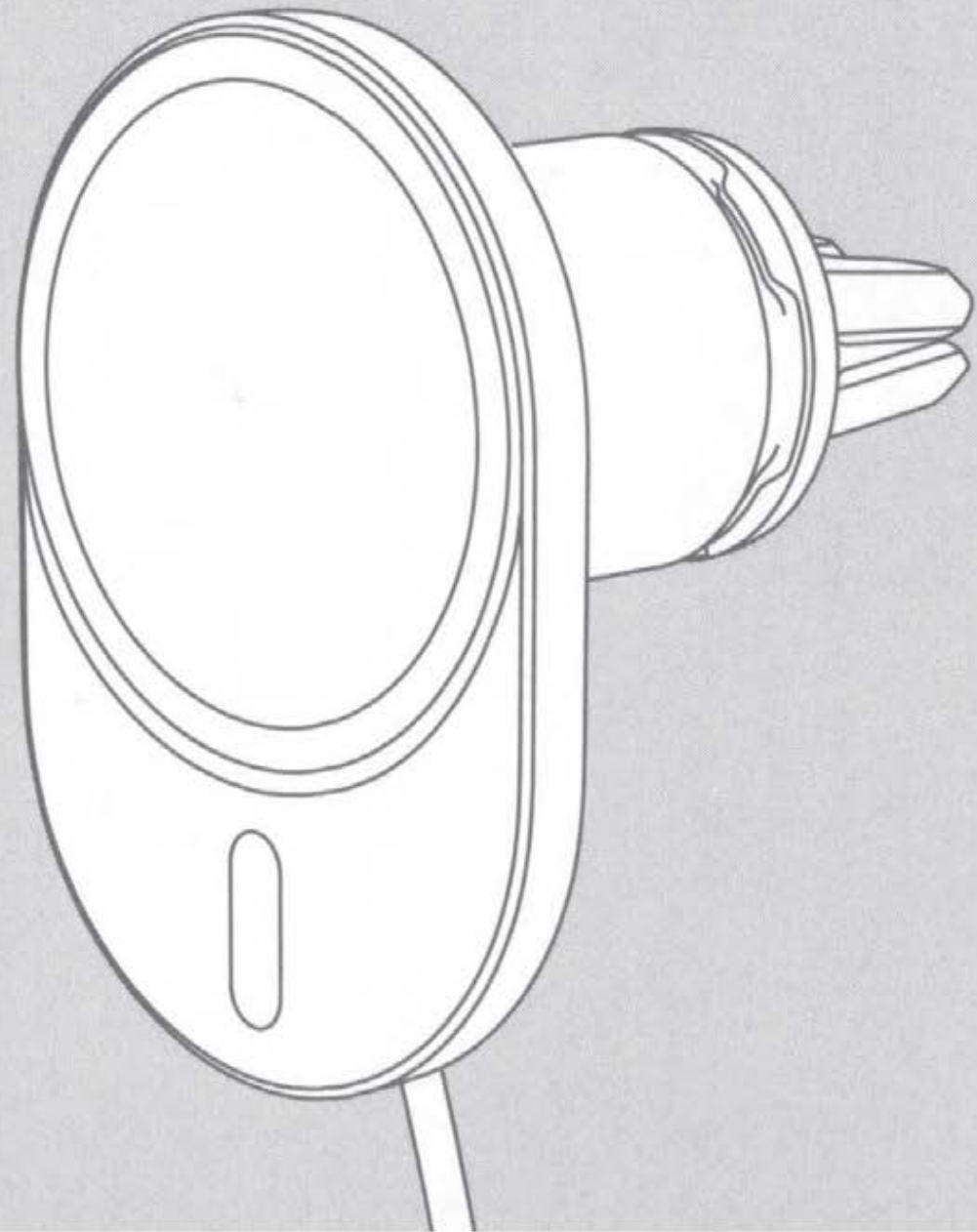
BoostCharge™ Pro

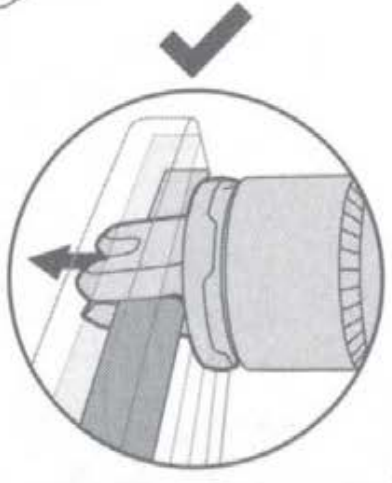
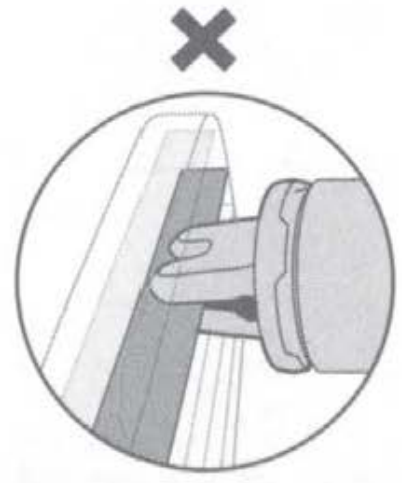
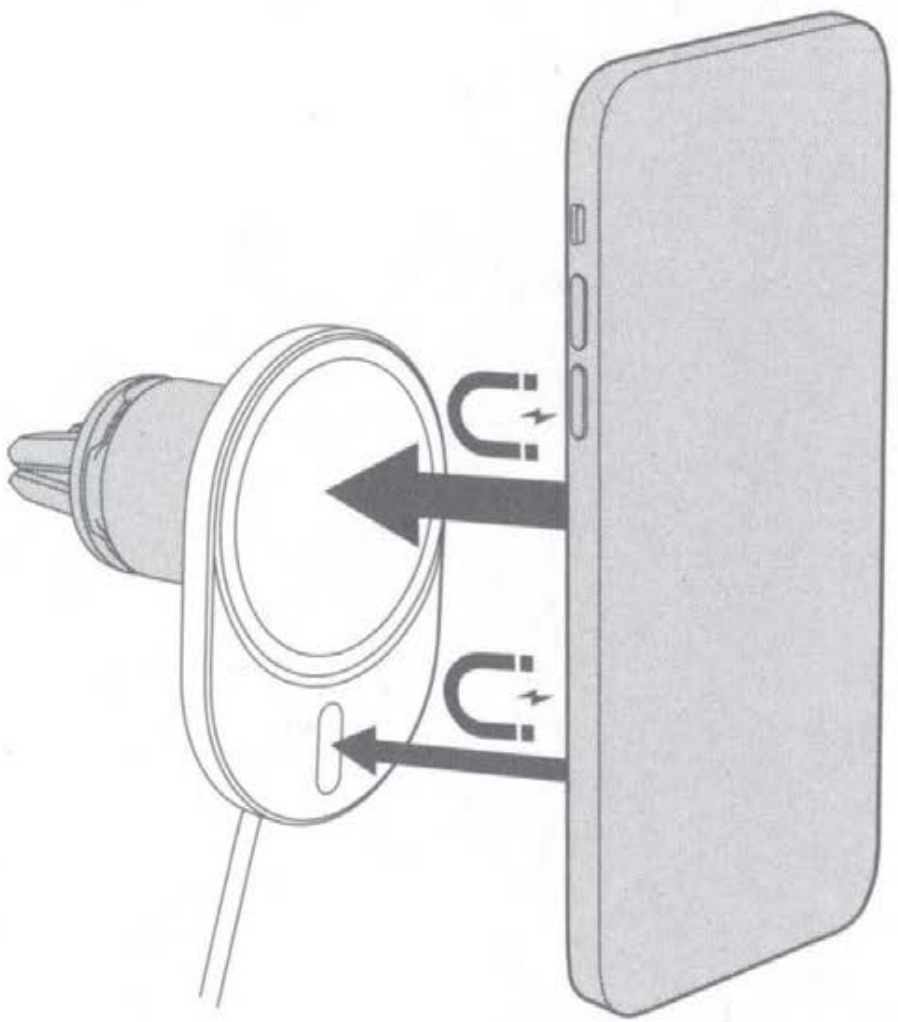
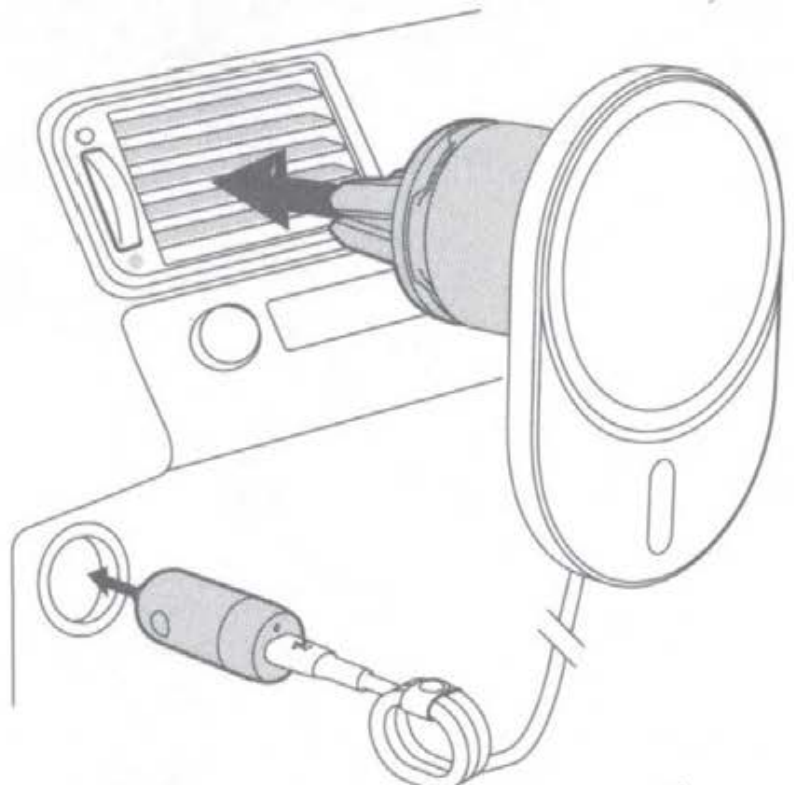
Wireless Car Charger
With MagSafe 15W

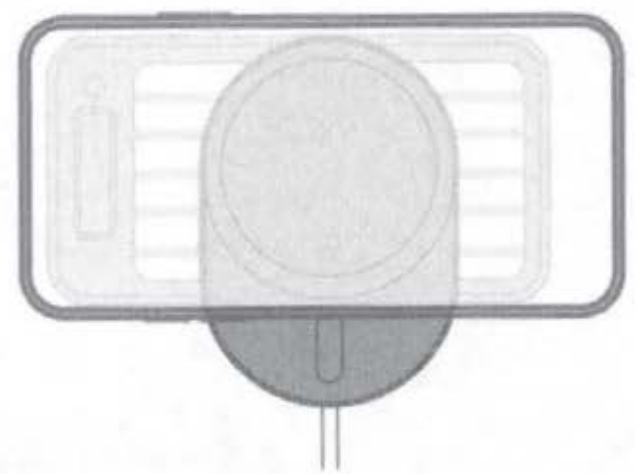
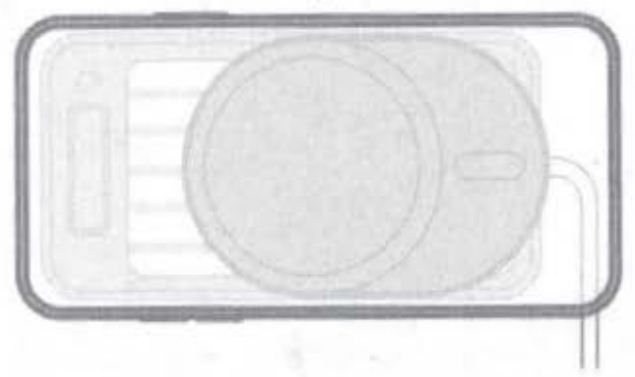
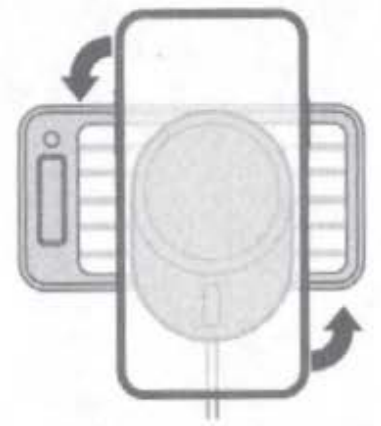
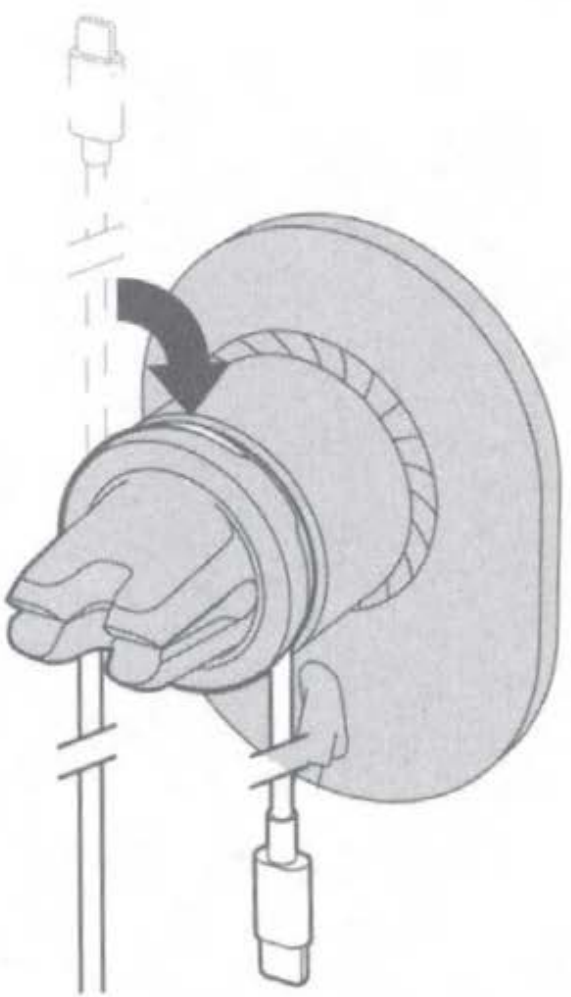
Chargeur de voiture sans
fil avec MagSafe

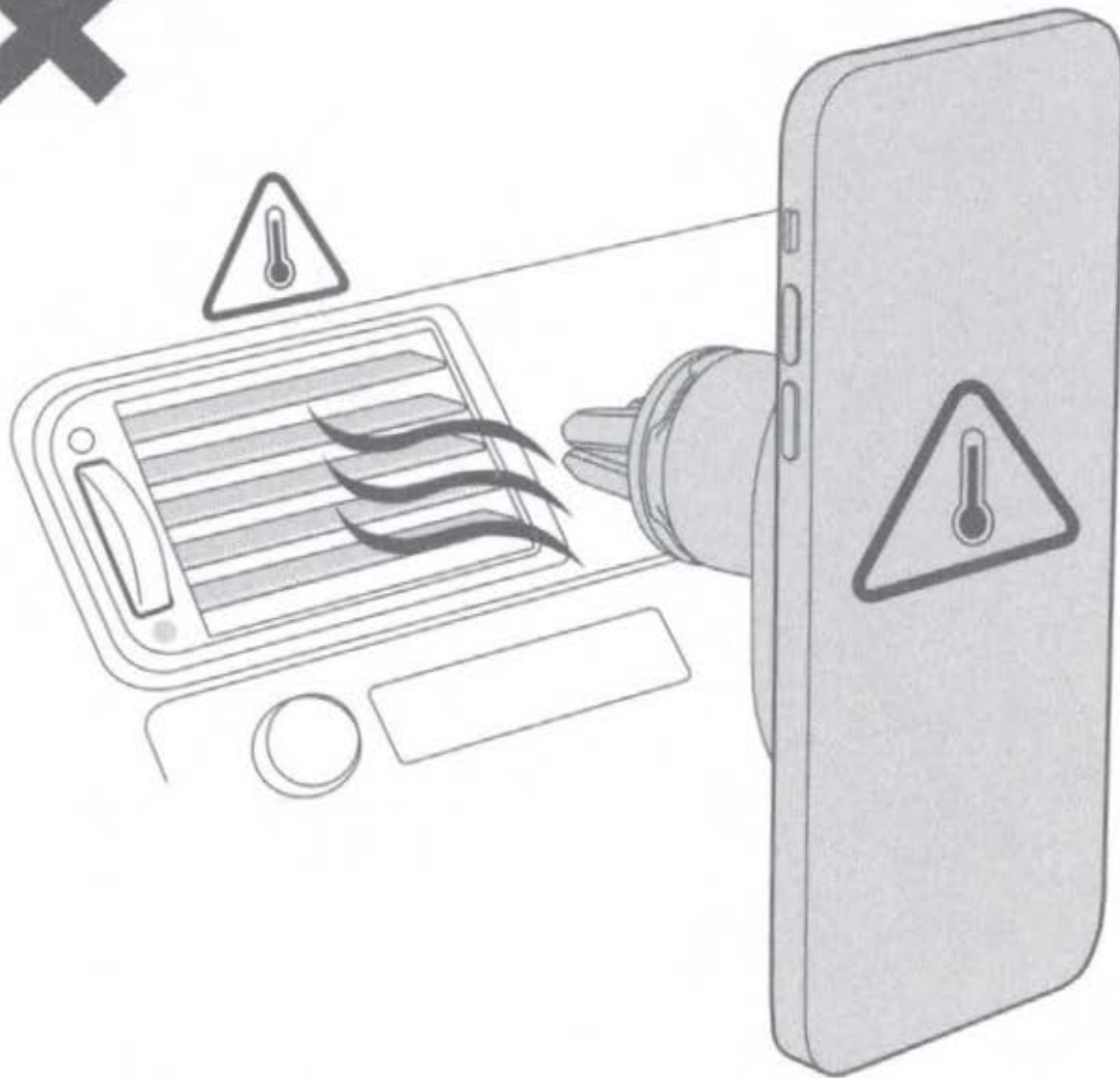
SKU/MODEL: WIC008

RÉFÉRENCE / MODÈLE: WIC008









Things you need to know
before using the product
À consulter avant
d'utiliser le produit
belkin.com/MagAttachInfo



8820bt03356 Rev. A00

belkin

BoostCharge[™] Pro

Wireless Car Charger With MagSafe 15W

Chargeur de voiture sans fil avec MagSafe



SKU/MODEL: WIC008

RÉFÉRENCE / MODÈLE : WIC008

Regulatory and Sustainability Information

NORTH AMERICA

Safety Instructions

WARNING: Failure to follow these instructions could result in fire, electric shock, injury, or damage to the user, product, or other property.

1. Connect the power supply of the wireless charger into a power outlet that is close by and is easy to disconnect from the source.
2. Use indoors and in a dry location only; Avoid charging near sources of heat and humidity.
3. Keep the wireless charger and power supply away from any liquids or moisture.
4. Unplug the wireless charger when not in use for long periods of time.
5. Do not store your device in very hot or very cold locations. It is recommended to use your device at room temperature.
6. Do not use if visible defects are observed on the wireless charger or power supply.
7. Do not attempt to service, modify, or disassemble the wireless charger or power supply.
8. Use of a power supply not recommended or sold by Belkin may result in an increased risk of fire, electric shock, injury, or damage to the user, product, or other property.
9. Wireless charging power transmission rate is regulated by the wireless charging device receiving power which can be influenced by factors like, but not limited to, proprietary charging protocols, ambient temperature, current battery percentage level and age of the device being charged.

CAUTION: If you experience problems with the wireless charger, please discontinue use, unplug the power supply from the socket, and contact Belkin for assistance.

The marking information is located on the bottom of the apparatus.

FCC Statement

DECLARATION OF CONFORMITY WITH FCC RULES FOR ELECTROMAGNETIC COMPATIBILITY

We, Belkin International, Inc. El Segundo, CA 90245, USA, Toll: +1(310) 751-5100, declare under our sole responsibility that this product complies with Part 15 of the FCC Rules. Operation is subject to the following two conditions: (1) this device may not cause harmful interference, and (2) this device must accept any interference received, including interference that may cause undesired operation.

Federal Communications Commission Interference Statement

This equipment has been tested and found to comply with the limits for a Class B digital device, pursuant to Part 15 of the FCC Rules. These limits are designed to provide reasonable protection against harmful interference in a residential installation.

This equipment generates, uses, and can radiate radio frequency energy, and if not installed and used in accordance with the instructions, may cause harmful interference to radio communications. However, there is no guarantee that interference will not occur in a particular installation. If this equipment does cause harmful interference to radio or television reception, which can be determined by turning the equipment off and on, the user is encouraged to try and correct the interference by one or more of the following measures:

- Reorient or relocate the receiving antenna.
- Increase the distance between the equipment and the receiver.
- Connect the equipment to an outlet on a circuit different from that to which the receiver is connected.
- Consult the dealer or an experienced radio/TV technician for help.

FCC Caution: Any changes or modifications not expressly approved by the party responsible for compliance could void the user's authority to operate this equipment.

Radiation Exposure Statement:

This equipment complies with FCC radiation exposure limits set forth for an uncontrolled environment. This equipment should be installed and operated with a minimum distance of 20 cm between the radiator and your body.

Innovation, Science, and Economic Development Canada Statement (ISED):

This device contains licence-exempt transmitter(s)/receiver(s) that comply with Innovation, Science and Economic Development Canada's licence-exempt RSS(s). Operation is subject to the following two conditions:

(1) This device may not cause interference.

(2) This device must accept any interference, including interference that may cause undesired operation of the device.

Radiation Exposure Statement:

This equipment complies with ICSED radiation exposure limits set forth for an uncontrolled environment. This equipment should be installed and operated with a minimum distance of 20 cm between the radiator and your body.

Innovation, Science and Economic Development Canada Statement:

This digital apparatus complies with CAN ICES-003(B) / NMB-003(B).

FRANÇAIS

Informations relatives à la réglementation et à la durabilité

AMÉRIQUE DU NORD

Consignes de sécurité supplémentaires

MISE EN GARDE : Le non-respect de ces instructions peut provoquer un incendie, une électrocution ou des blessures, ou endommager l'utilisateur, le produit ou d'autres biens.

1. Connecter l'alimentation du chargeur sans fil à une prise secteur proche de la source et facile à déconnecter de celle-ci.
2. Utiliser ce produit à l'intérieur et dans un endroit sec uniquement; éviter de charger votre appareil près des sources de chaleur et d'humidité.
3. Garder le chargeur sans fil et l'alimentation à l'abri de tout liquide ou de l'humidité.
4. Débrancher le chargeur sans fil quand vous ne l'utilisez pas pendant de longues périodes.
5. Ne pas stocker votre appareil dans un endroit très chaud ou très froid. Il est recommandé d'utiliser votre appareil à température ambiante.
6. Si vous remarquez des défauts visibles sur le chargeur sans fil ou l'alimentation, ne pas les utiliser.
7. Ne pas tenter de réparer, modifier ou démonter le chargeur sans fil ou l'alimentation.
8. L'utilisation d'une alimentation non recommandée ou non vendue par Belkin peut augmenter le risque d'incendie, d'électrocution, de blessure ou d'endommagement de l'utilisateur, du produit ou d'autres biens.
9. La vitesse de transmission du chargement sans fil est régulée par la puissance de réception de l'appareil de charge sans fil, qui peut être influencée par des facteurs comme, notamment, les protocoles de charge propriétaires, la température ambiante, le niveau de charge actuel de la batterie et l'âge de l'appareil recevant la charge.

ATTENTION : SI VOUS RENCONTREZ DES PROBLÈMES AVEC LE CHARGEUR SANS FIL, veuillez cesser de l'utiliser, DÉBRANCHER l'alimentation de la prise c.a., et communiquer avec Belkin pour obtenir de l'aide.

Les éléments de marquage se trouvent au bas de l'appareil.

Innovation, Science, and Economic Development Canada Statement (ISED):

L'émetteur/récepteur exempt de licence contenu dans le présent appareil est conforme aux CNR d'Innovation, Sciences et Développement économique Canada applicables aux appareils radio exempts de licence. L'exploitation est autorisée aux deux conditions suivantes:

1) L'appareil ne doit pas produire de brouillage;

2) L'appareil doit accepter tout brouillage radioélectrique subi, même si le brouillage est susceptible d'en compromettre le fonctionnement.

Déclaration d'exposition aux radiations :

Cet équipement est conforme aux limites d'exposition aux rayonnements IC établies pour un environnement non contrôlé. Cet équipement doit être

seguidamente el dispositivo, el mismo usuario puede intentar corregir dichas interferencias tomando una o más de las siguientes medidas:

- Reorientar o colocar en otro lugar la antena de recepción.
- Incrementar la distancia entre el equipo y el receptor.
- Conectar el equipo a una toma o un circuito distinto del que al que está conectado el receptor.
- Solicitar la ayuda del vendedor o de un técnico experto en radio/televisión.

Advertencia de la FCC: Todos los cambios o modificaciones que no hayan sido expresamente aprobados por la parte responsable del cumplimiento, podrían invalidar la autoridad del usuario para manejar el equipo.

Declaración sobre la exposición a las radiaciones:

El producto cumple con el límite de exposición a RF portátil de Canadá establecido para un entorno no controlado y es seguro para el funcionamiento previsto como se describe en este manual. Se puede lograr una mayor reducción de la exposición a RF si el producto se puede mantener lo más lejos posible del cuerpo del usuario o si el dispositivo se ajusta a un nivel más bajo, potencia de salida si dicha función está disponible.

EUROPE

CE Declaration of Conformity

We, Belkin International, Inc., declares that the radio equipment is in compliance with Directive 2014/53/EU and RoHS Directive 2015/863. The full text of the EU declaration of conformity is available at the following internet address: www.belkin.com/doc.

Caution: Any changes or modifications not expressly approved by the party responsible for compliance could void the user's authority to operate this equipment.

Radiation Exposure Statement: This equipment complies with radiation exposure limits set forth for an uncontrolled environment. This equipment should be installed and operated with a minimum distance of 20 cm between the radiator and your body.

Frequency band in which the radio equipment operates: 1277 kHz, 360 kHz

Maximum power transmitted: 110 dBµA/m

UKCA Conformity:

Radio Equipment Regulations 2017 (S.I. 2017/1206)



Recycling programs for this packaging may not exist in your area.

Il est possible qu'aucun programme de recyclage ne soit disponible dans votre région.

Raccolta differenziata. Verifica le disposizioni del tuo Comune.

Waste Electrical and Electronic Equipment Directive

For information on product disposal, please refer to <http://www.belkin.com/uk/weee-regulations/>

Pursuant to and in accordance with Article 14 of the Directive 2012/19/EU of the European Parliament on waste in electrical and electronic equipment (WEEE).

The barred symbol of the rubbish bin shown on the equipment indicates that, at the end of its useful life, the product must be collected separately from other waste.

Therefore, any product that have reached the end of their useful life must be given to waste disposal centers specializing in separate collection of waste electrical and electronic equipment or given back to the dealer when purchasing a new WEEE, pursuant to and in accordance with Article 14 as implemented in the country.

Belkin International, Inc. El Segundo, CA 90245, USA

Belkin Ltd., Unit 1, Regent Park, Booth Drive, Wellingborough, Northants NN8 6GR, United Kingdom

Belkin BV, Herikerbergweg 106, Plaza Arena - Jupiter, 1101 CM, Amsterdam, The Netherlands

Belkin Asia Pacific Ltd. Hong Kong

Belkin Ltd. Tuggerah, Australia

総代理: 貝爾金貿易(上海)有限公司

地址: 上海市南京路試驗儀器大廈118號1407B室, 郵編: 200131

委託製造商: 本產品是由 Belkin Asia Pacific Limited 授權生產

地址: 香港九龍彌敦道270號匯豐大廈26樓2601室

カスタマーサポートセンター

0120-532-372 (フリーダイヤル)

携帯電話: 03-5767-6029

(月-金 9:00-12:00, 13:00-17:00 祝日を除く)

Eメール japan.support@belkin.com

Belkin Tech Support: www.belkin.com/support