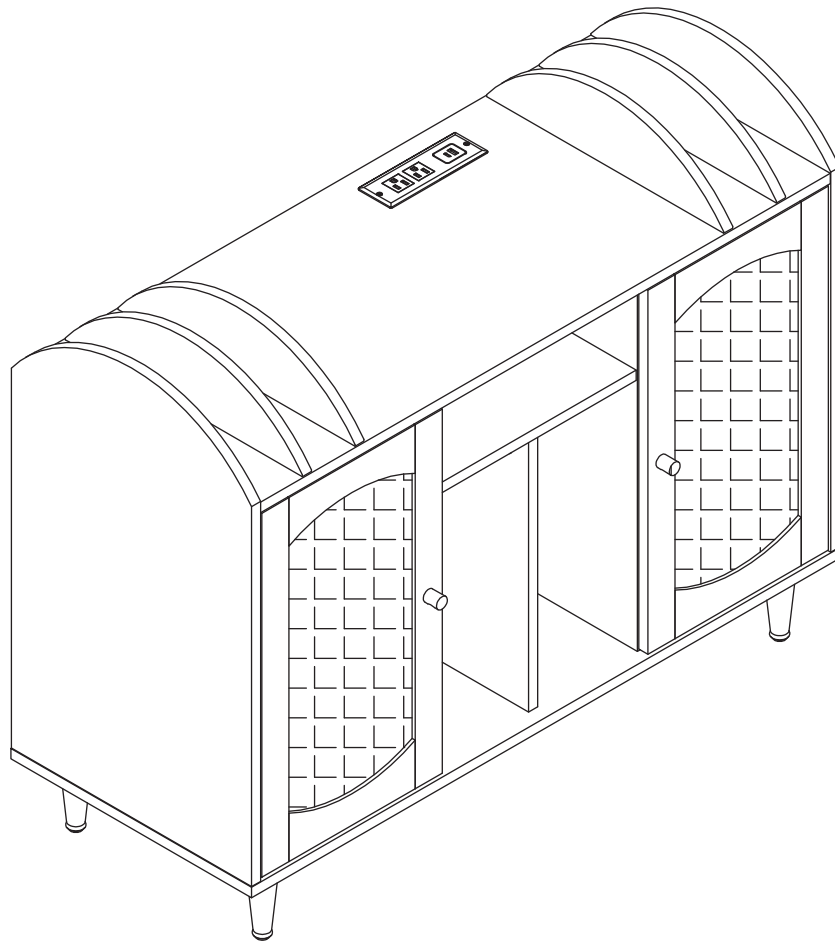


Vinyl Record Player Stand



BELLEZE[®]

FOLLOW US:



@bellezefurniture

CONTACT INFO:

support@belleze.com
1-800-682-6376

ITEM NO. 014-HG-43004

The instruction booklet contains **IMPORTANT** safety information. Please read it in full and keep it for future reference.

www.belleze.com

Scan this QR Code
to view our online tutorial

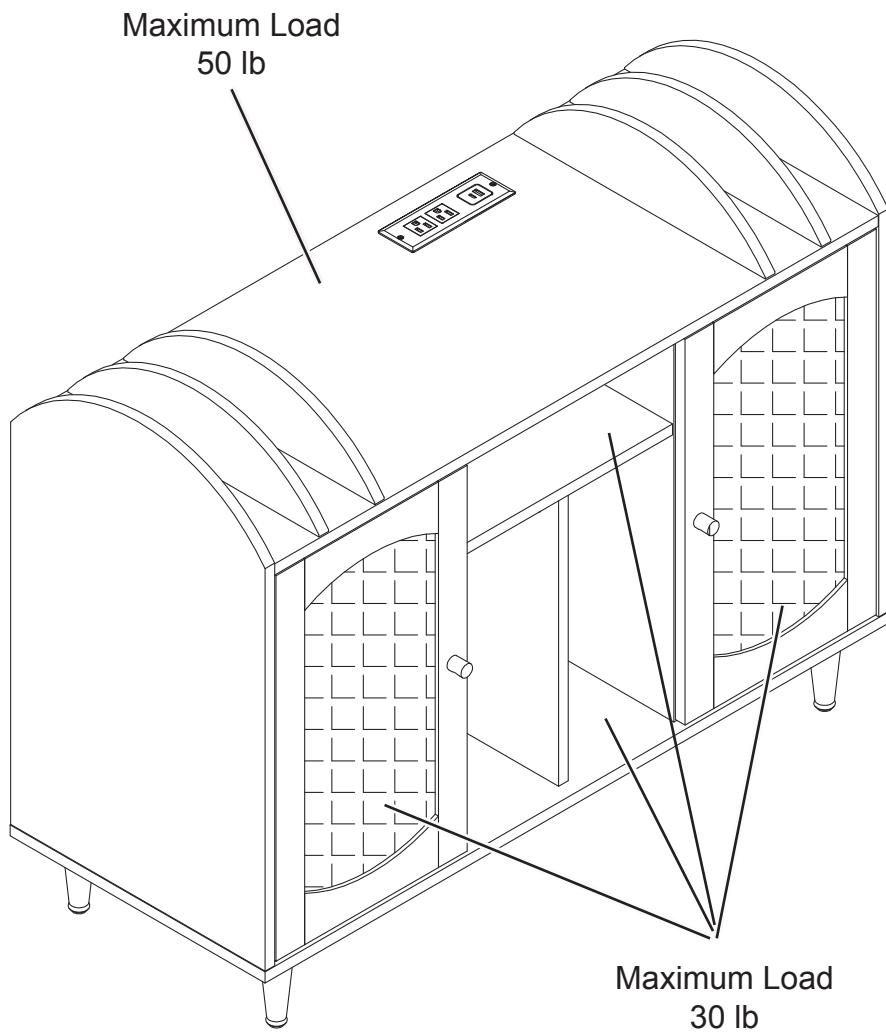


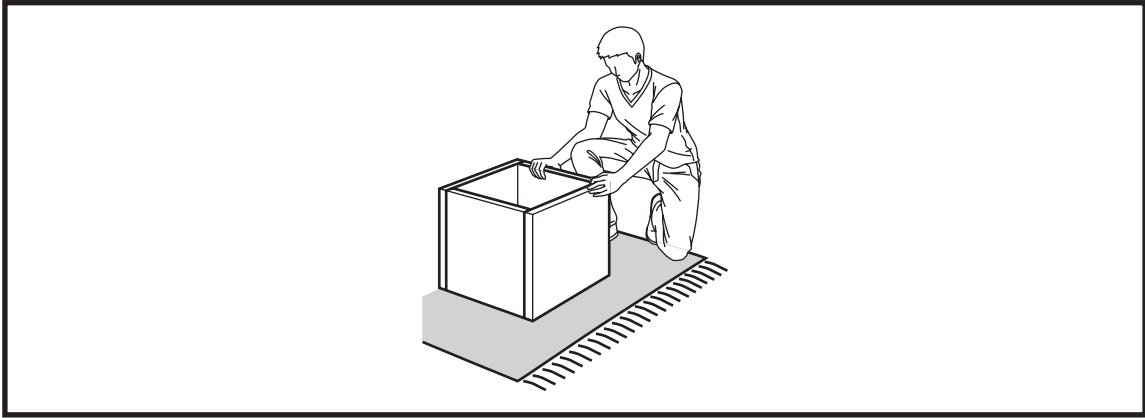
Estimated time for assembly:

70 mins



Weight limitations are as follows:

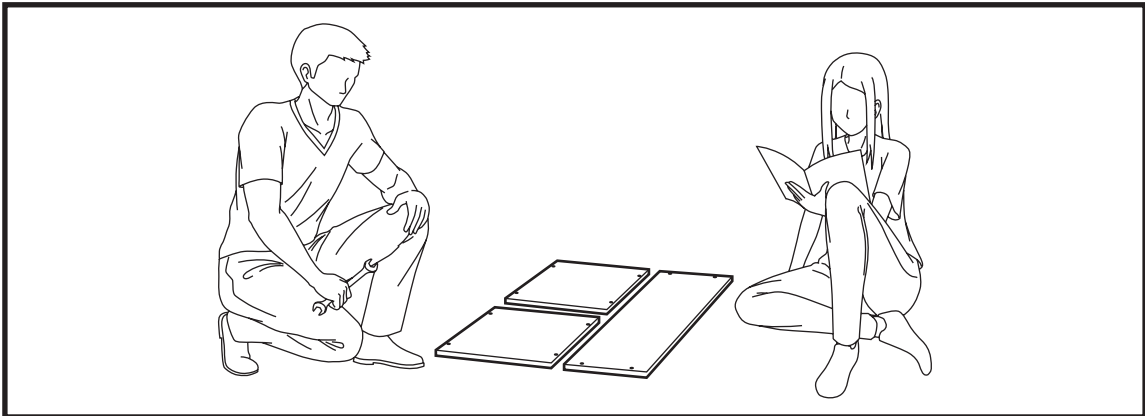




Assemble the furniture on an empty carton, carpet, or rug to prevent scratches or damage.

For safety, please keep pets and children away from the assembly area.

Ensure the product is fully assembled before use. If you are missing any hardware or products, do not use it until you have restored the missing parts.



This furniture requires 2 people for assembly.

Read this instruction manual prior to assembly to familiarize yourself with the various steps.

Lay out all components and hardware separately on a flat surface and make sure that no parts are missing or damaged before assembly. Do not destroy or discard any packaging until you are certain that you have all the necessary parts for assembly.

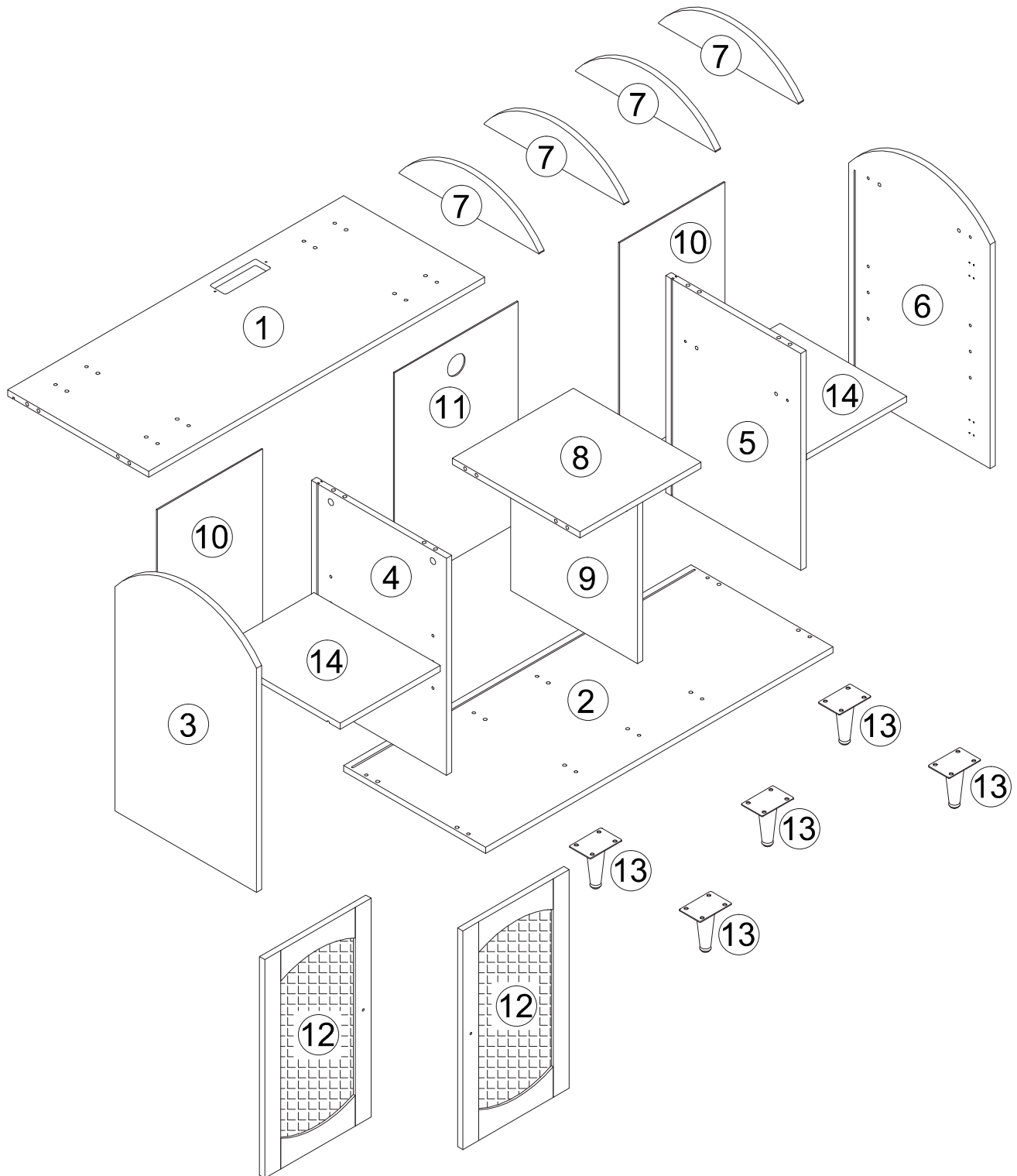
Hand tight all hardware and careful not to over tighten to avoid damaging the product.

CAUTION

There are small components used in the construction of this product. Loose items should be kept away from pets and children to avoid a choking hazard.

Keep all plastic bags and packaging film away from pets and children to avoid suffocation.

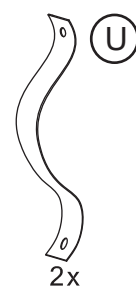
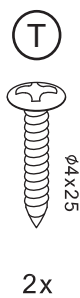
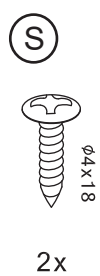
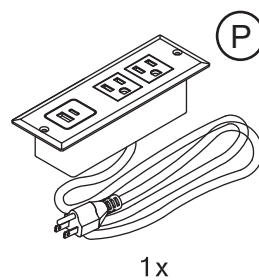
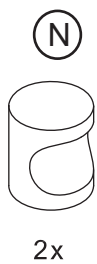
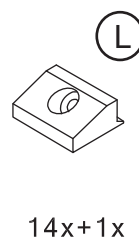
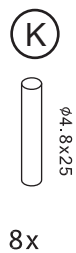
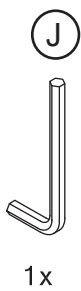
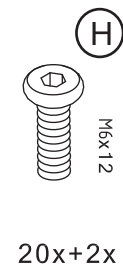
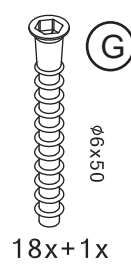
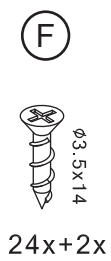
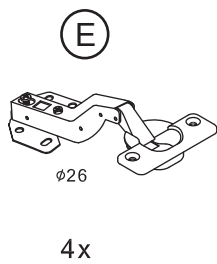
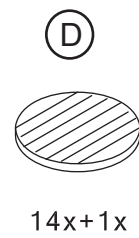
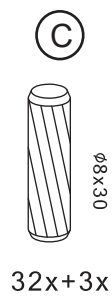
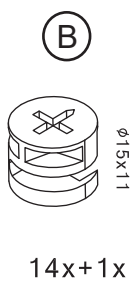
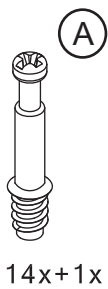
PACKAGE CONTENTS



PACKAGE CONTENTS

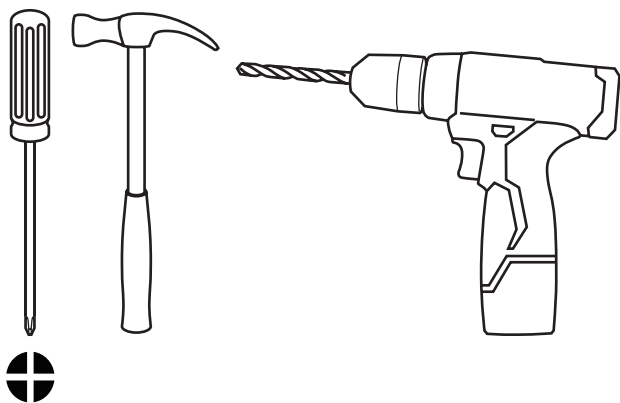
CODE	DESCRIPTION	QTY
1	Top Panel	1
2	Bottom Panel	1
3	Left Panel	1
4	Left Medial Panel	1
5	Right Medial Panel	1
6	Right Panel	1
7	Top Divider Panel	4
8	Center Storage Shelf Panel	1
9	Center Divider Panel	1
10	Side Back Panel	2
11	Center Back Panel	1
12	Cabinet Door	2
13	Leg	5
14	Side Storage Shelf Panel	2

PACKAGE CONTENTS



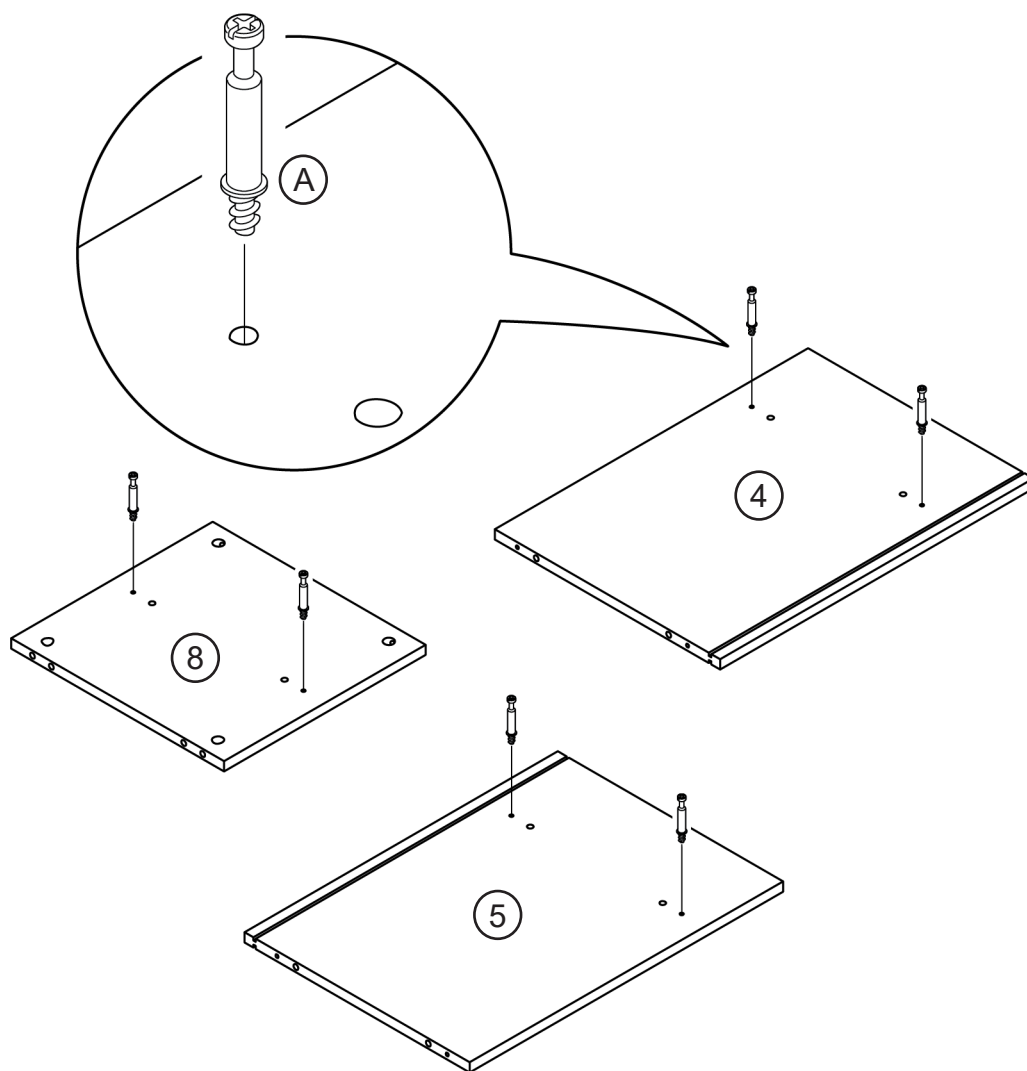
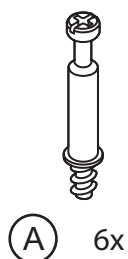
Install all hardware perpendicular to the opening.

Required tools for assembly (Not included)



1

Attach cam bolts to the left and right medial panels and the center storage shelf panel (4, 5, 8).

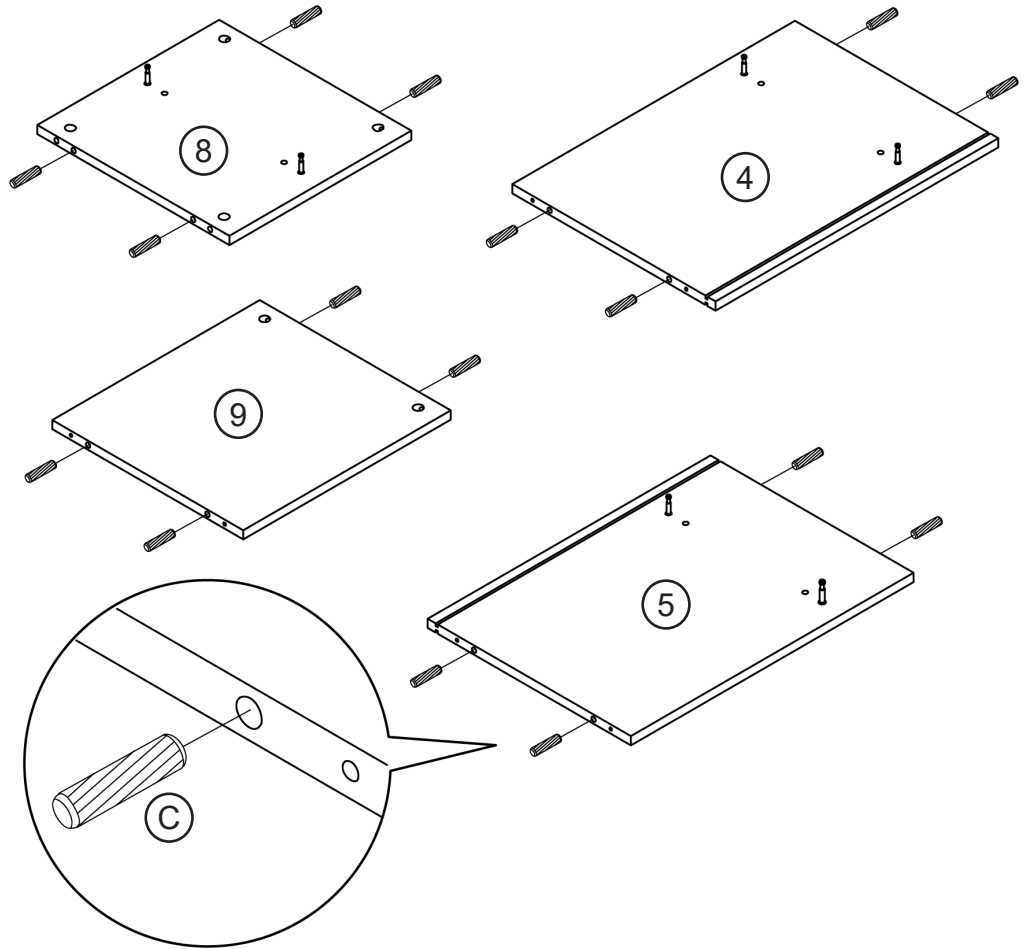


2

Insert wood dowels to the left and right medial panels, center storage shelf panel, and the center divider panel (4, 5, 8, 9).



(C) 16x

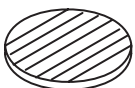


3

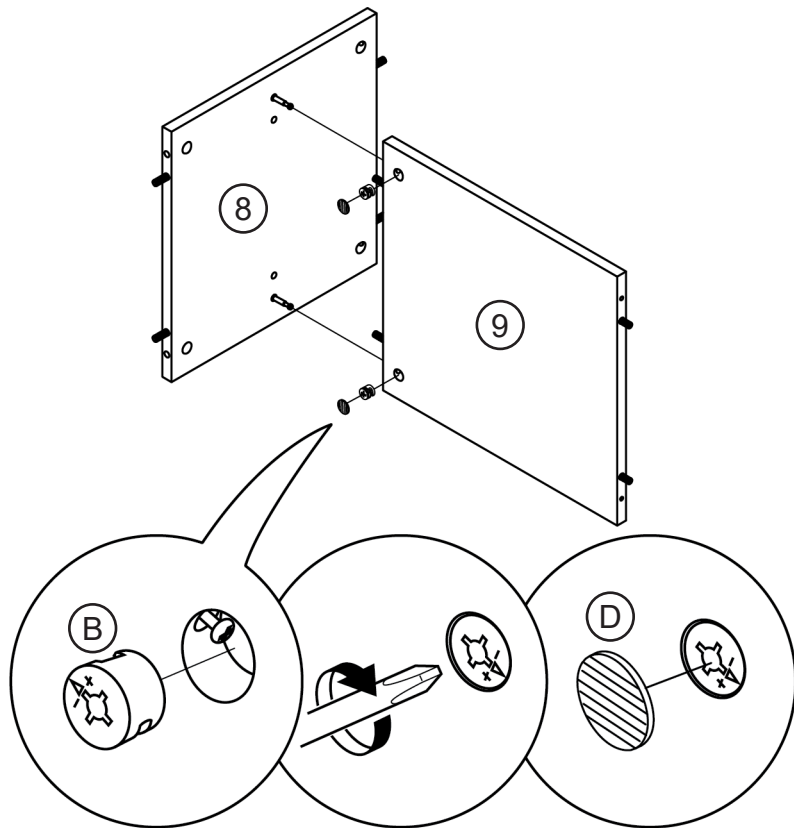
Assemble the center divider panel (9) under the center storage shelf panel (8).



(B) 2x



(D) 2x

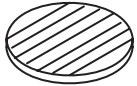


4

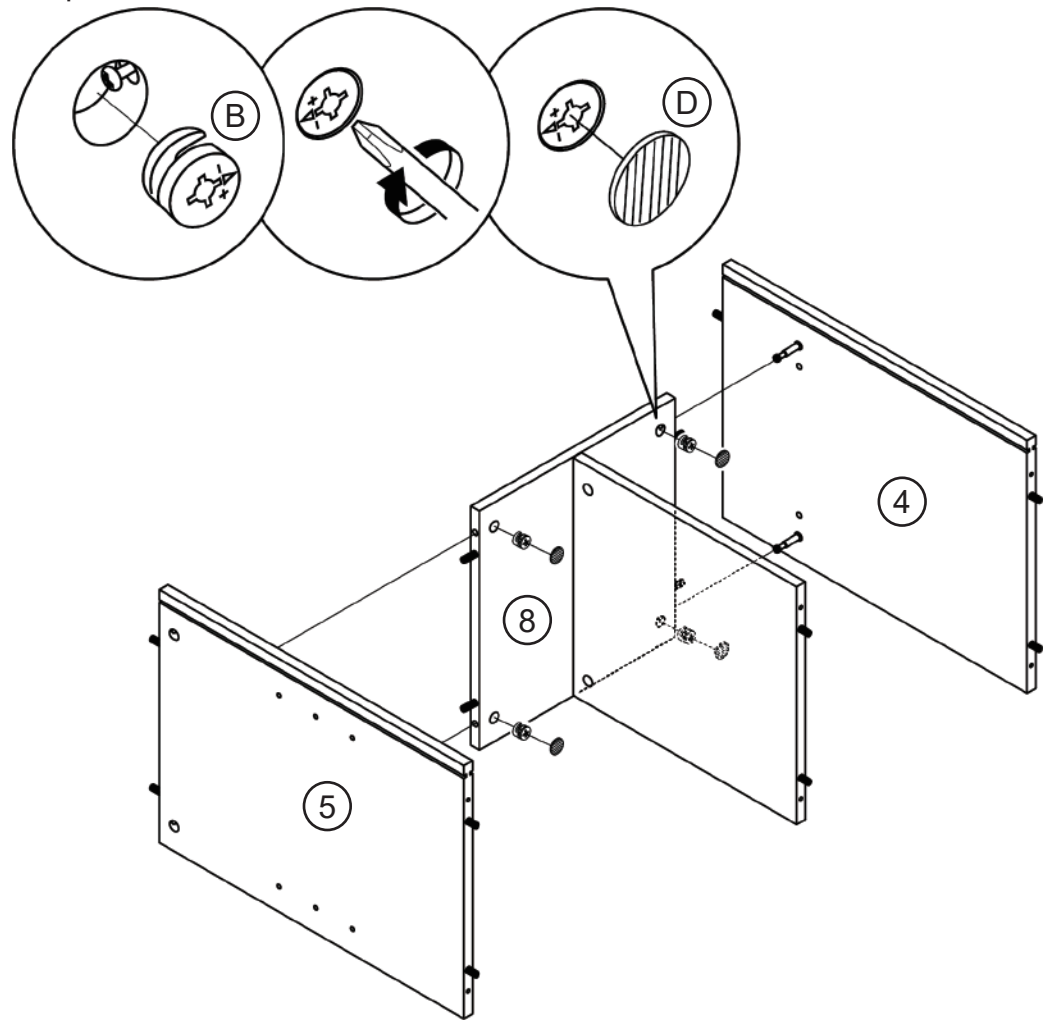
Assemble the left and right medial panels (4, 5) to the side of the center storage shelf panel (8).



(B) 4x



(D) 4x

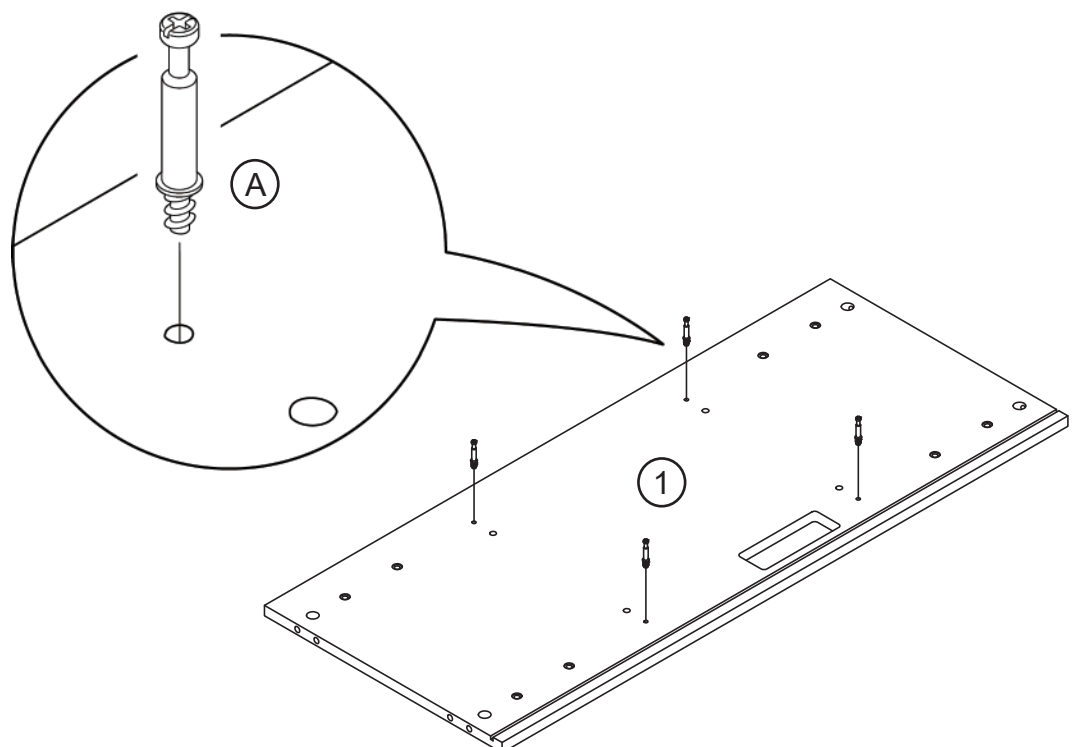


5

Attach cam bolts to the underside of the top panel (1).

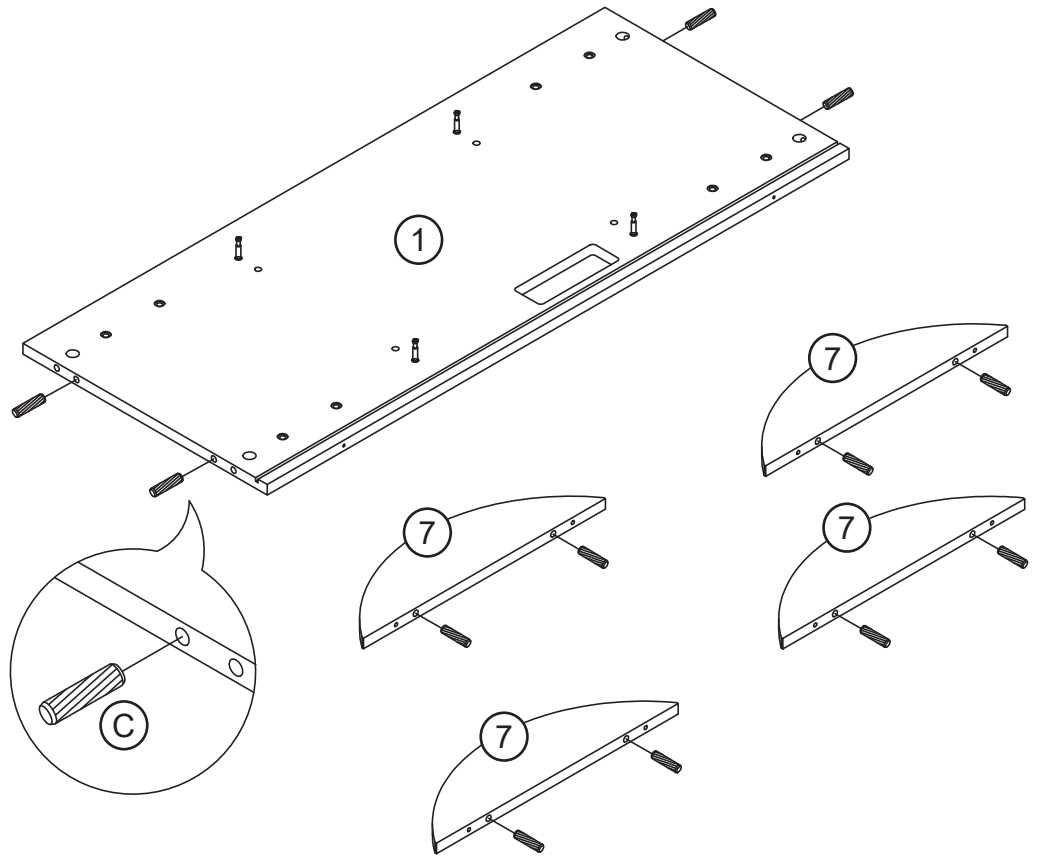
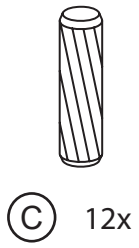


(A) 4x



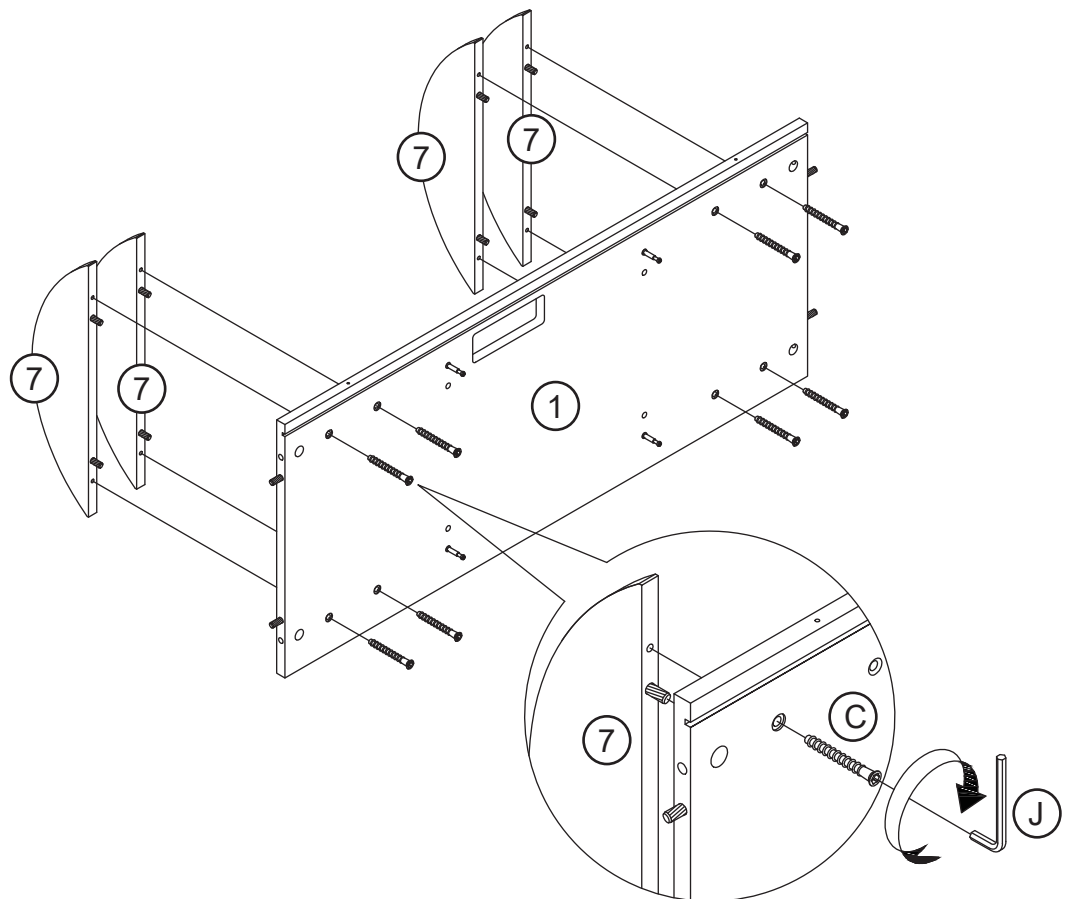
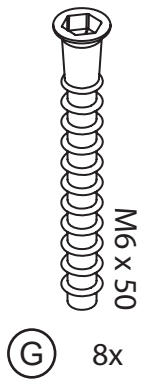
6

Insert wood dowels to the top panel (1) and the top divider panels (7).



7

Assemble top divider panels (7) on top of the top panel (1)

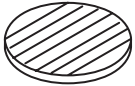


8

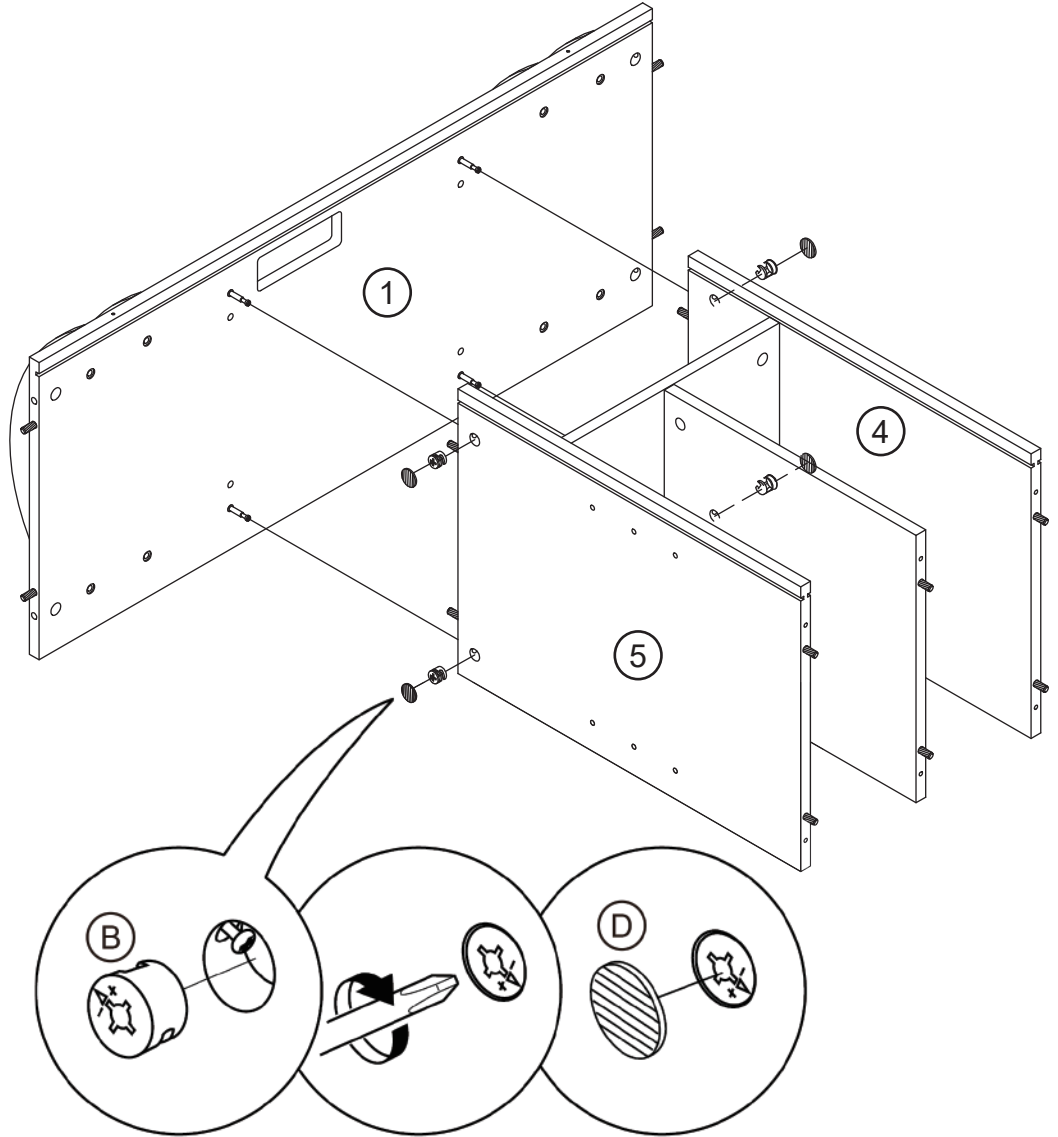
Assemble the center shelf assembly underneath the top panel (1).



(B) 4x



(D) 4x

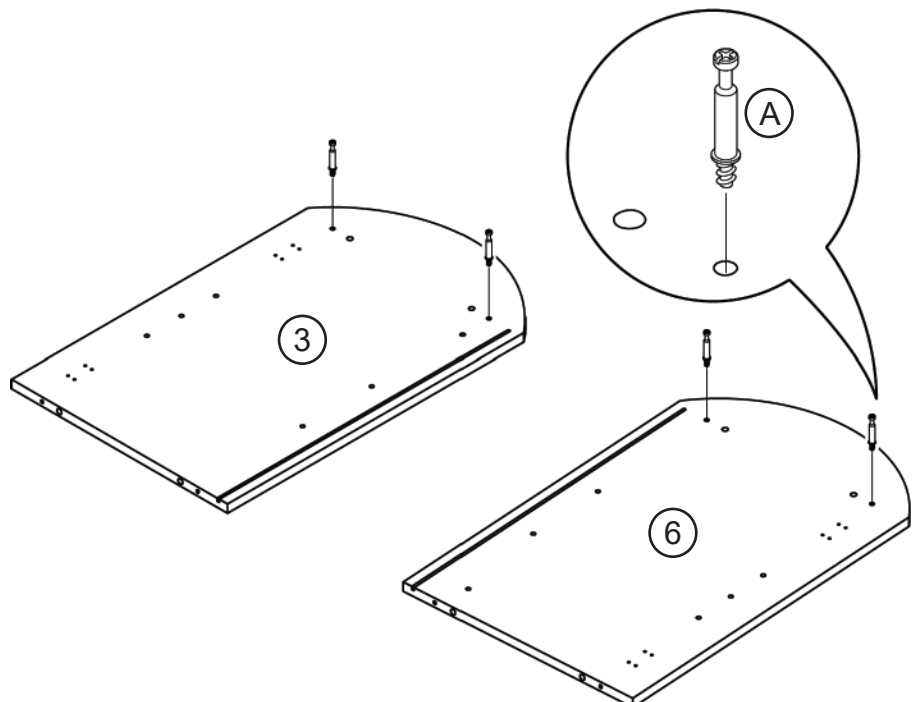


9

Attach cam bolts to the left panel (3) and right panel (6).

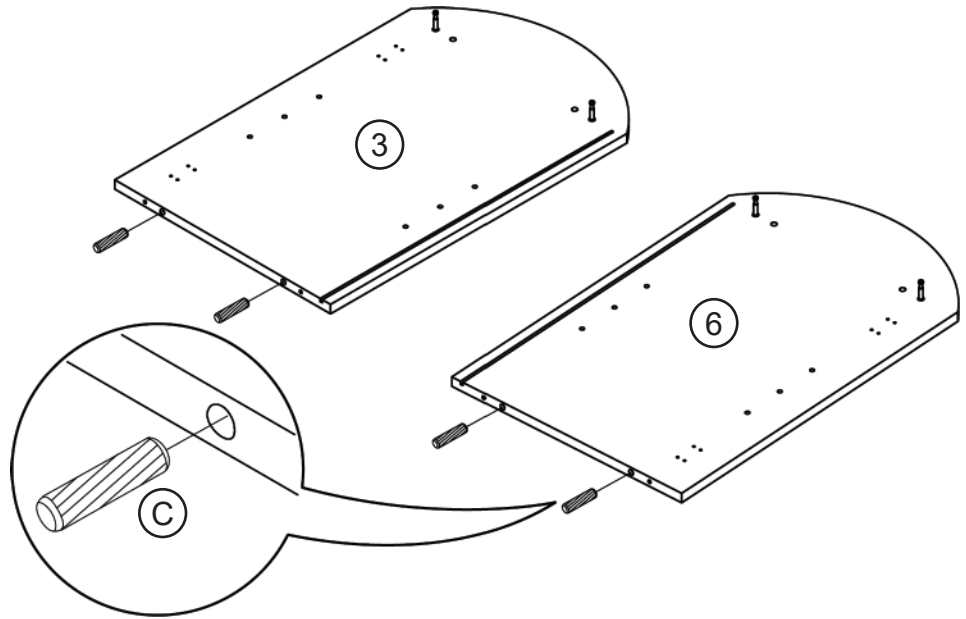
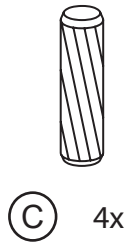


(A) 4x



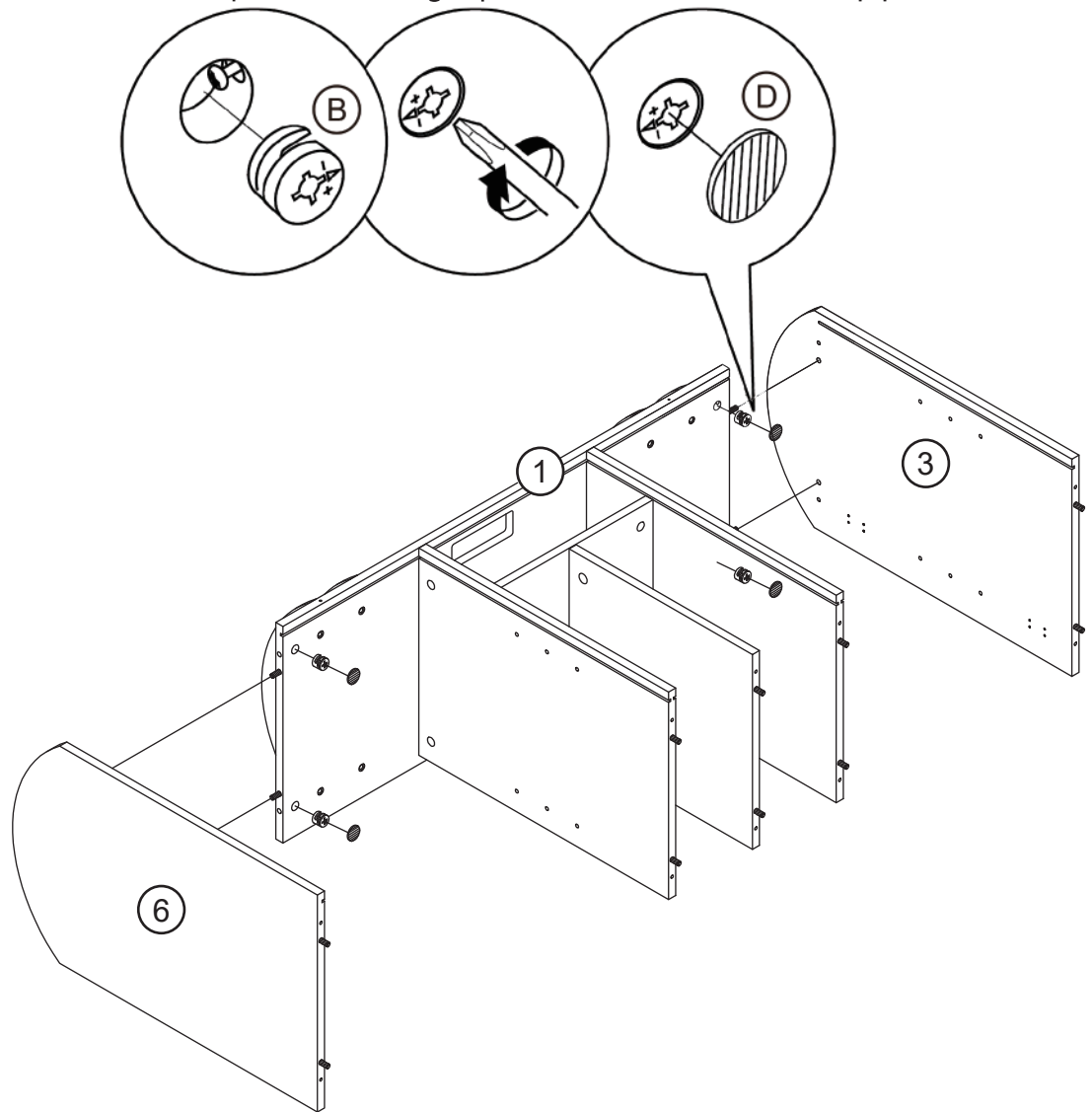
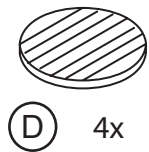
10

Insert wood dowels to the left panel (3) and right panel (6).



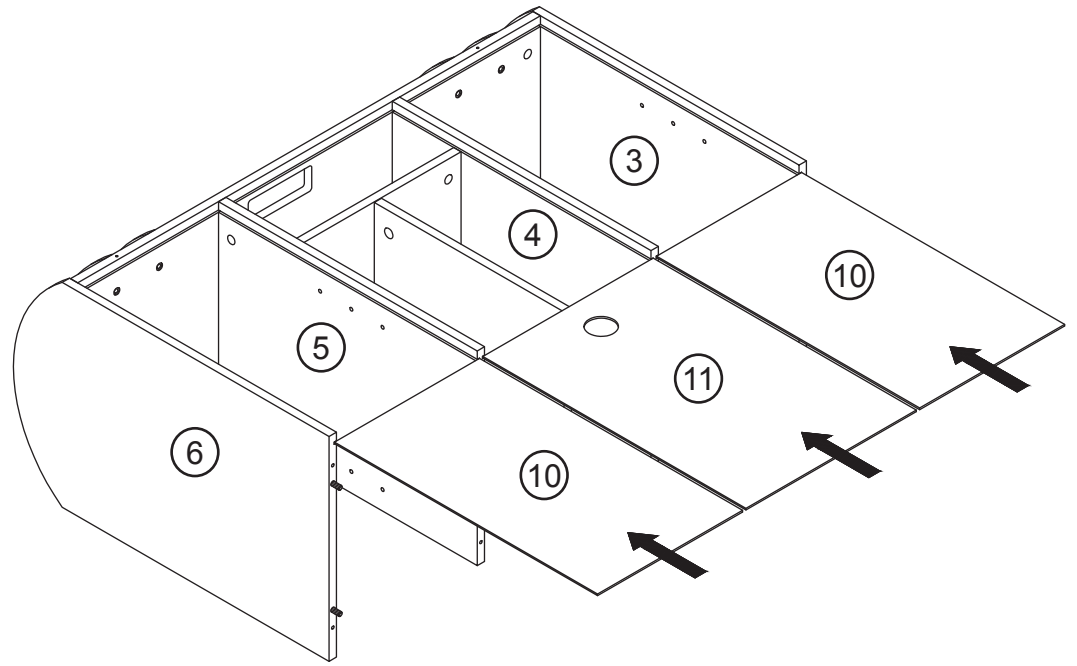
11

Assemble the left panel (3) and right panel (6) to the side of the top panel (1).



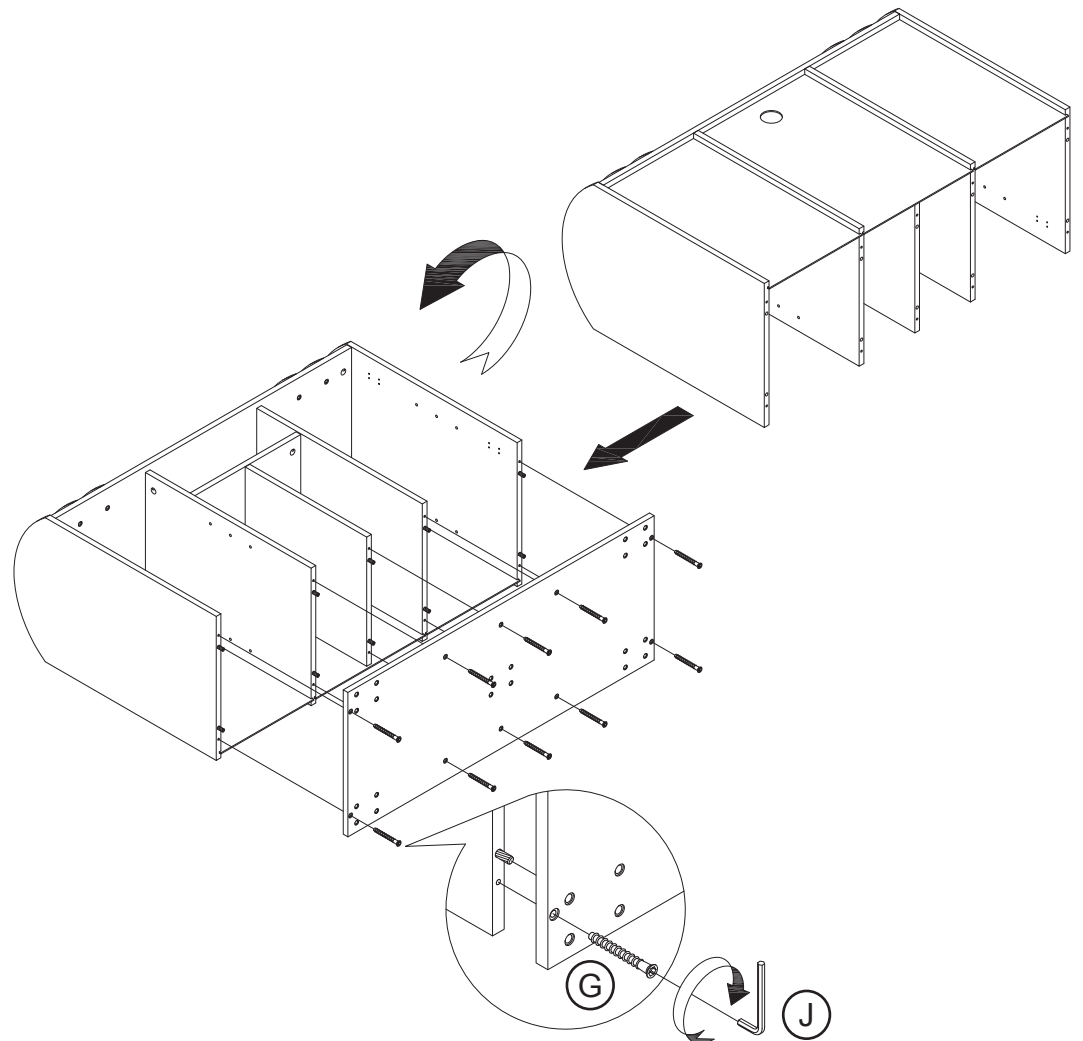
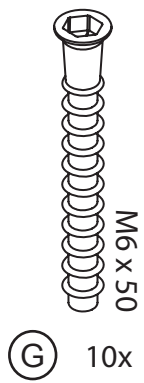
12

Slide in the back panels (10, 11) to the back of the stand assembly.



13

Assemble the bottom panel (2) to the stand assembly.



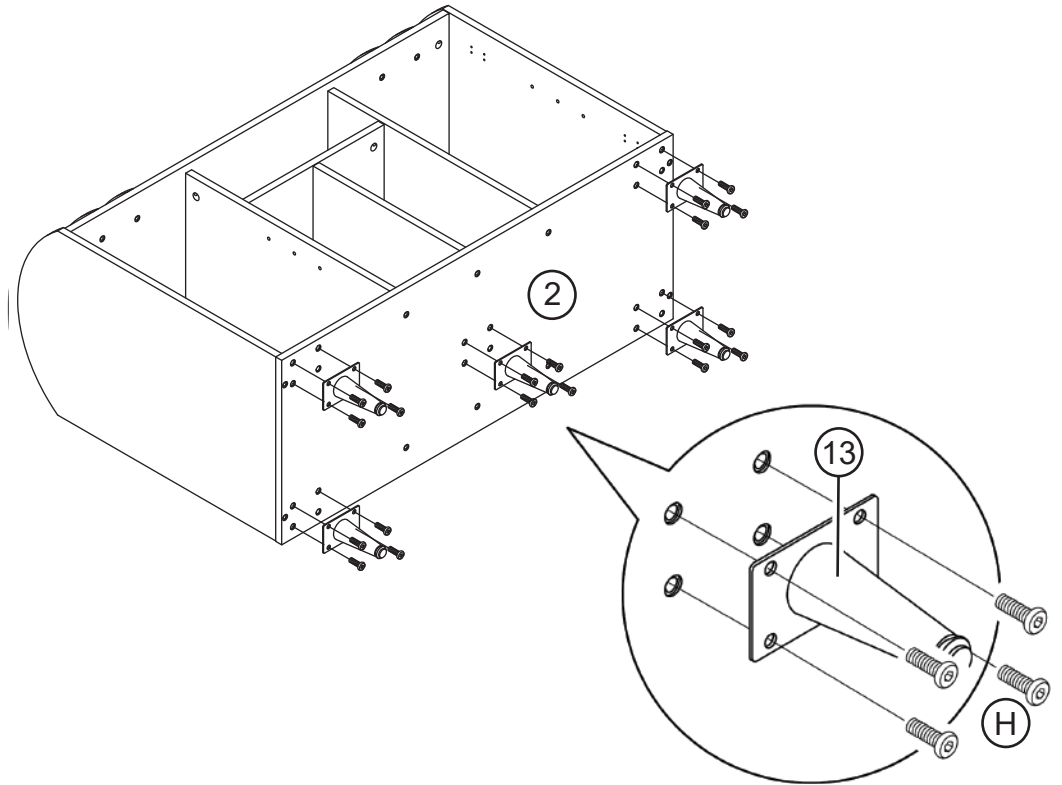
14

Attach legs (13) underneath the bottom panel (2).



M6 x 12

(H) 20x



15

Secure the back panels in place.

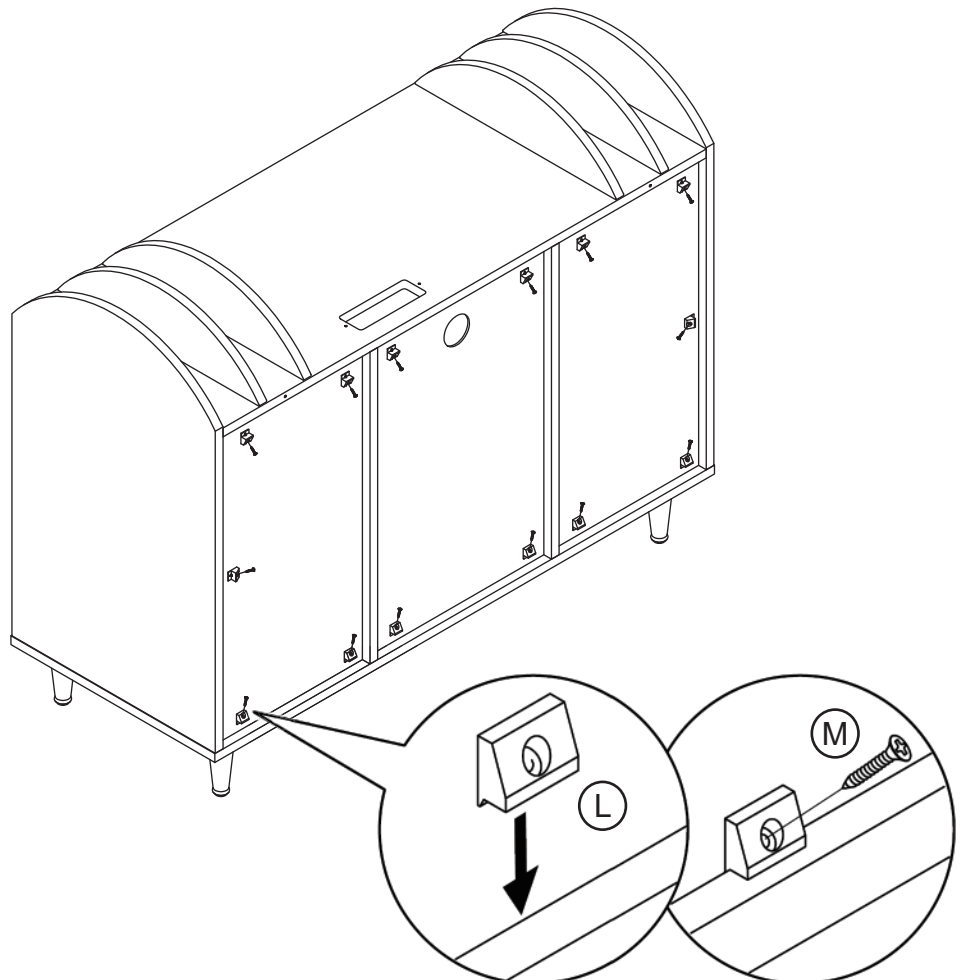


(L) 14x



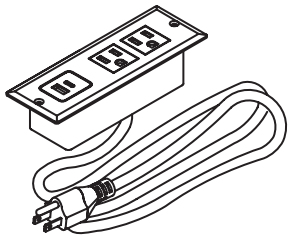
Ø3 x 17

(M) 14x



16

Insert the power hub to the top panel (1) and secure it in place.

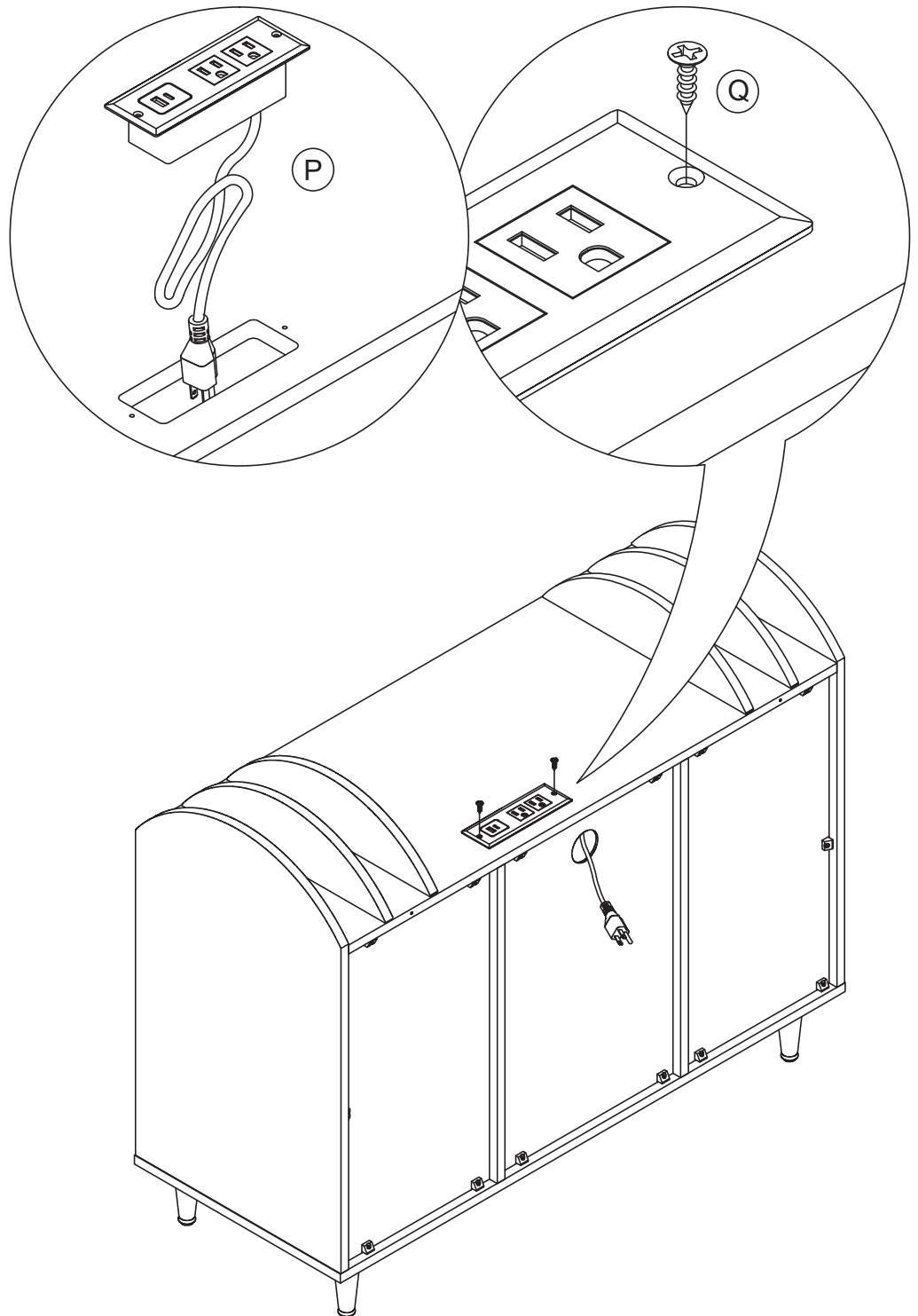


(P) 1x



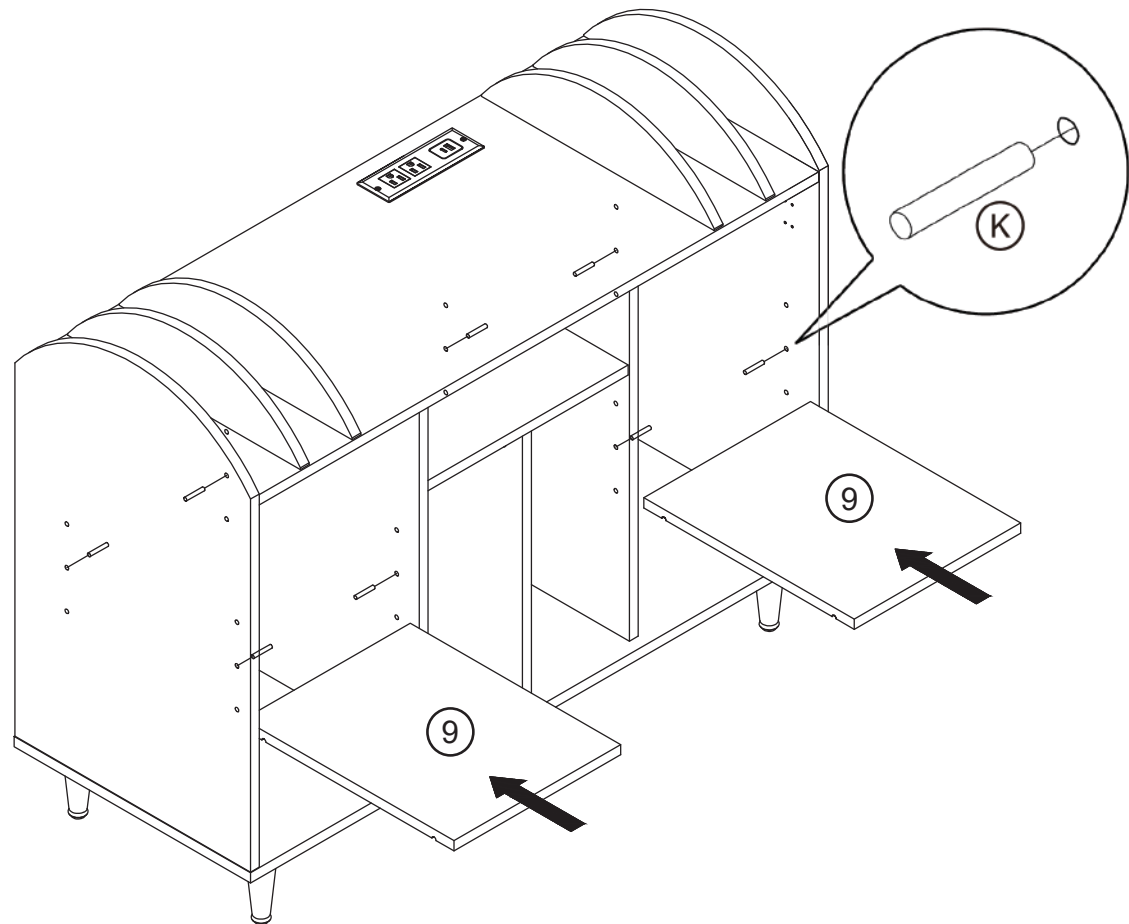
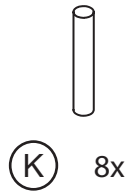
Ø3.5 x 14

(Q) 2x



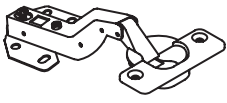
17

Insert shelf pegs inside the stand and put on side storage shelf panels (9).



18

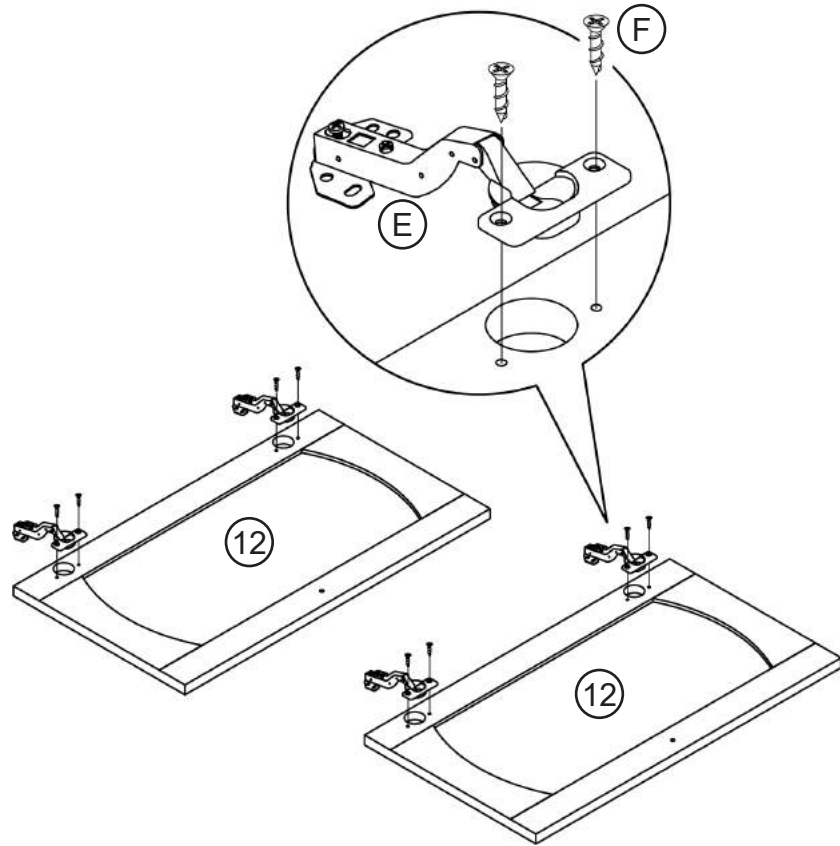
Attach door hinges to the cabinet doors (12).



(E) 4x



(F) 8x



19

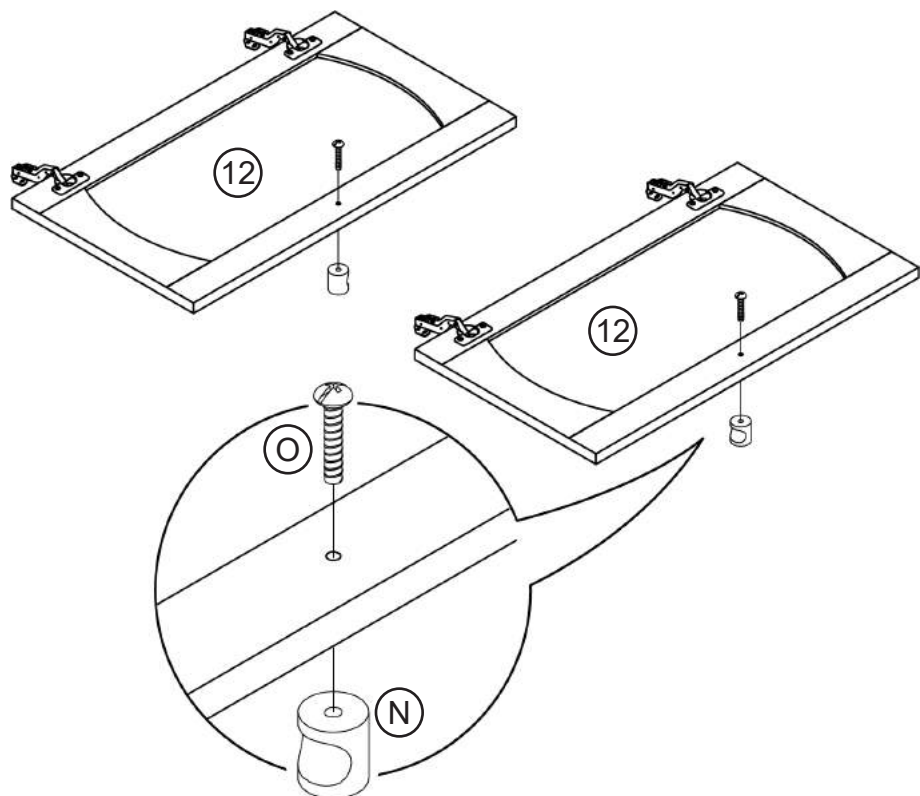
Attach door knobs to the cabinet doors (12).



(N) 2x



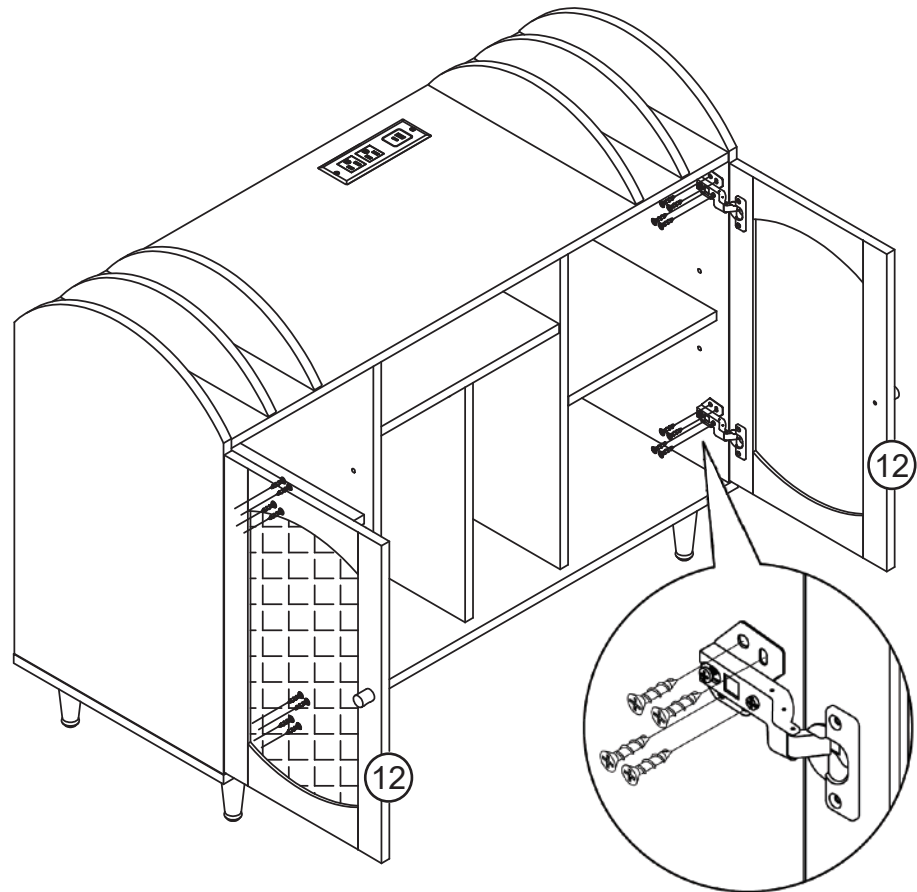
(O) 2x



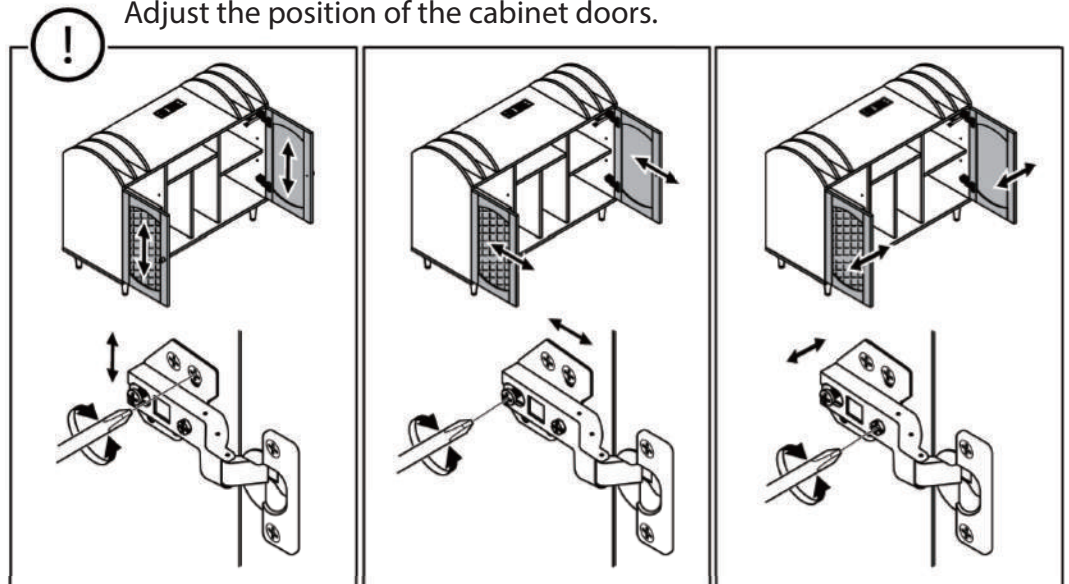
20

Assemble the cabinet doors (12) to the stand.

Ø3.5 x 14
F 16x



Adjust the position of the cabinet doors.



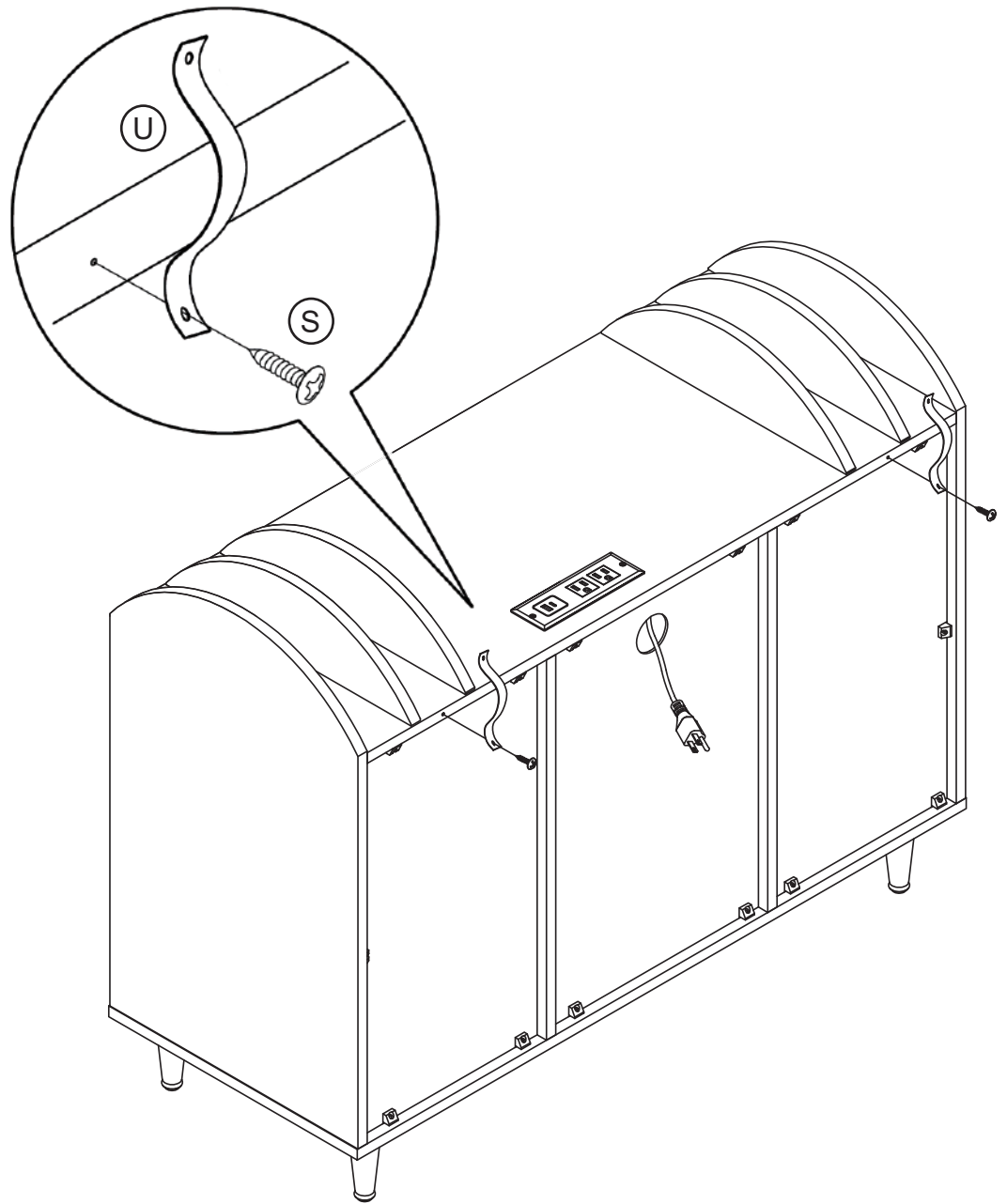
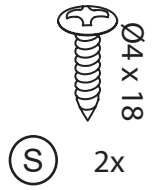
Up and down adjustment by loosening the screws on the mounting plate.

In and out adjustment by loosening the screws on the hinge arm.

Side to side adjustment using the front adjustment screw on the hinge.

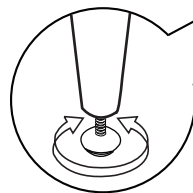
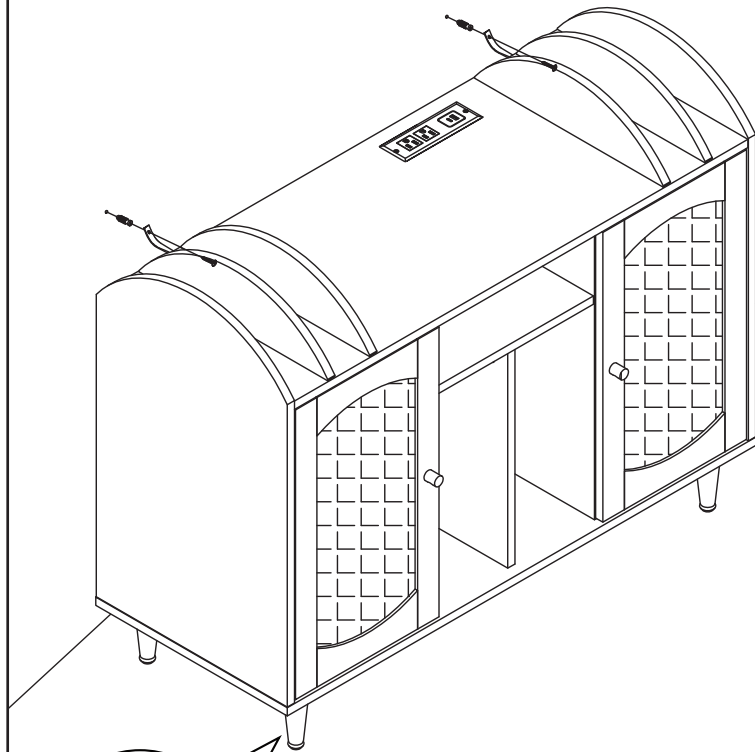
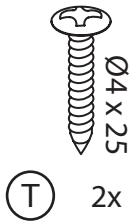
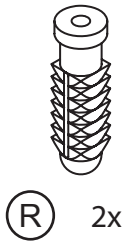
21

Attach anti-tipping straps to the back of the stand.

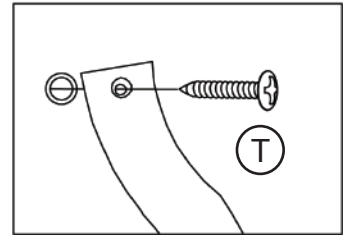
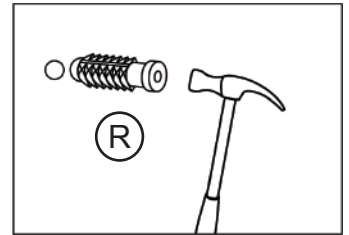
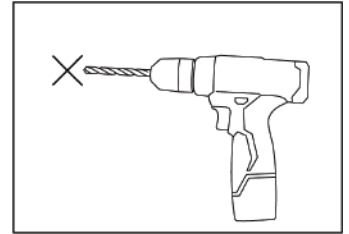
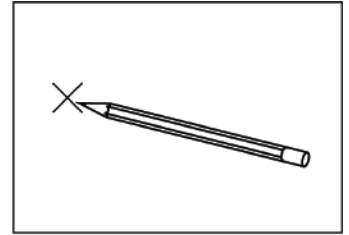


22

Affix the stand to a wall.



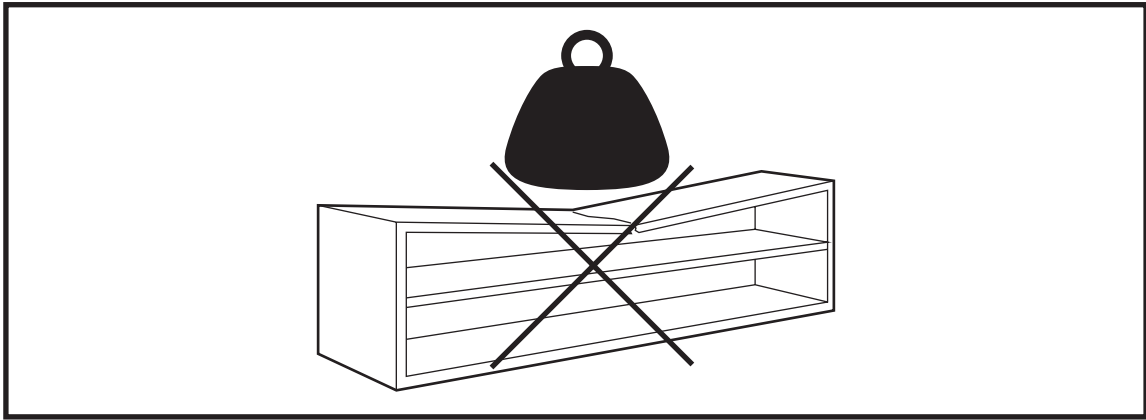
Adjustable foot pads ,Keeps stable even onuneven floors.



Furniture must permanently fixed to the wall stud with included anti-tipping device to prevent the furniture from tipping over.

- Mark the drill position on the wall with a pencil.
- Drill a small hole on the marked position.
- Insert a wall anchor into the drilled hole.
- Fixed the anti-tipping strap to the wall with provided screws.

YOU'RE FINISHED!

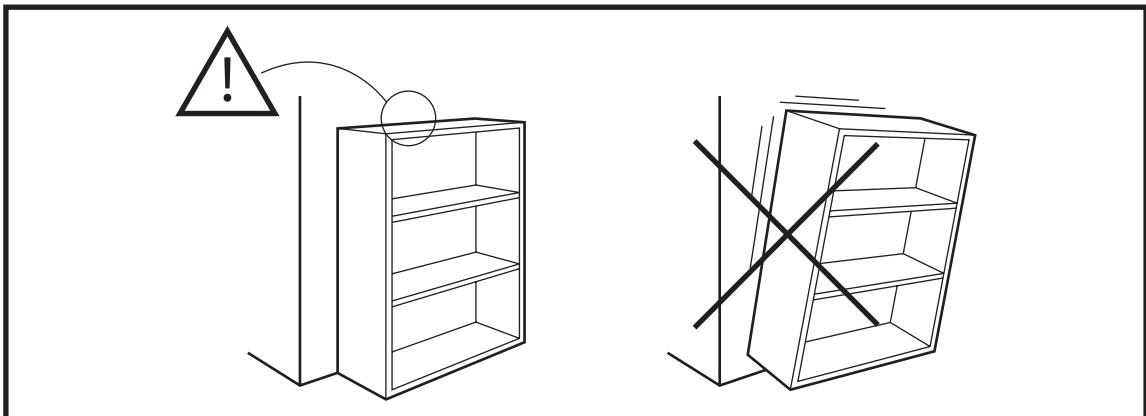


Warning

Only place items on top of the product if they meet the recommended size and weight limits.

Climbing on, stepping on, or placing overweighted objects on the product may cause property damage and/or injuries.

Items placed onto this product must be resting on a support surface without hanging over the edges.



Warning

Serious or fatal crushing injuries may occur if the furniture tip-over. Furniture must permanently affixed to the wall with included anti-tipping device in order to prevent the furniture from tipping over.

Different wall materials requires different types of wall anchors or screws. Use a suitable wall anchors or screws for your specific wall in order to secure the stability and load bearing capacity of the furniture. If you are uncertain about which type of device to use, please contact us or your local hardware store.

BELLEZE[®]

FURNITURE CARE AND MAINTENANCE

Medium - Density Fiberboard

Thank you for your purchase. We want your item to last as long as possible. To ensure the product gives you years of longevity, please follow the recommendations in this care and maintenance guide.



MAINTENANCE

- Tighten all bolts and screws again within the first 2 weeks of assembly.
- Check the tightness of all bolts every 2 months and tighten them if necessary.



CLEANING

- Clean the surface of the MDF (medium - density fiberboard) with a lightly dampened cloth.
- A small amount of mild soap can be used if necessary.
- Dry the surface immediately after cleaning.

⚠ DO NOT use bleach or alcohol to clean the surface.

⚠ DO NOT apply wood treatment on parts made with MDF.

MDF will swell and distort when exposed to water damage. Make sure to dry the furniture immediately after cleaning.

⚠ WARNING

The manufacturer and seller are not responsible for any and all liability relating to personal injury, property damage or losses, whether direct, indirect, or incidental, resulting from the incorrect attachment, improper use, inadequate maintenance, unapproved modification or neglect of this product.

© All copyright of this document belongs to BELLEZE .
This document may not be printed, translated, reproduced, or distributed in whole or in
part without written permission from BELLEZE.

WARRANTY

BELLEZE products come with a 1-year warranty from the date of delivery.
Register your product on our website to enjoy our limited lifetime warranty!



AFTER-SALE SERVICE



Encounter any difficulties or missing parts?



Contact us at **1-800-682-6376** or email us at **support@belleze.com**



We will send you replacement.



Hassle free!
No need to worry about repackaging and sending your item back.

We hope you enjoy your new BELLEZE furniture!
Share your photos on Instagram and tag us: @bellezefurniture.

FOLLOW US:



@bellezefurniture

CONTACT INFO:

support@belleze.com
1-800-682-6376

BELLEZE®