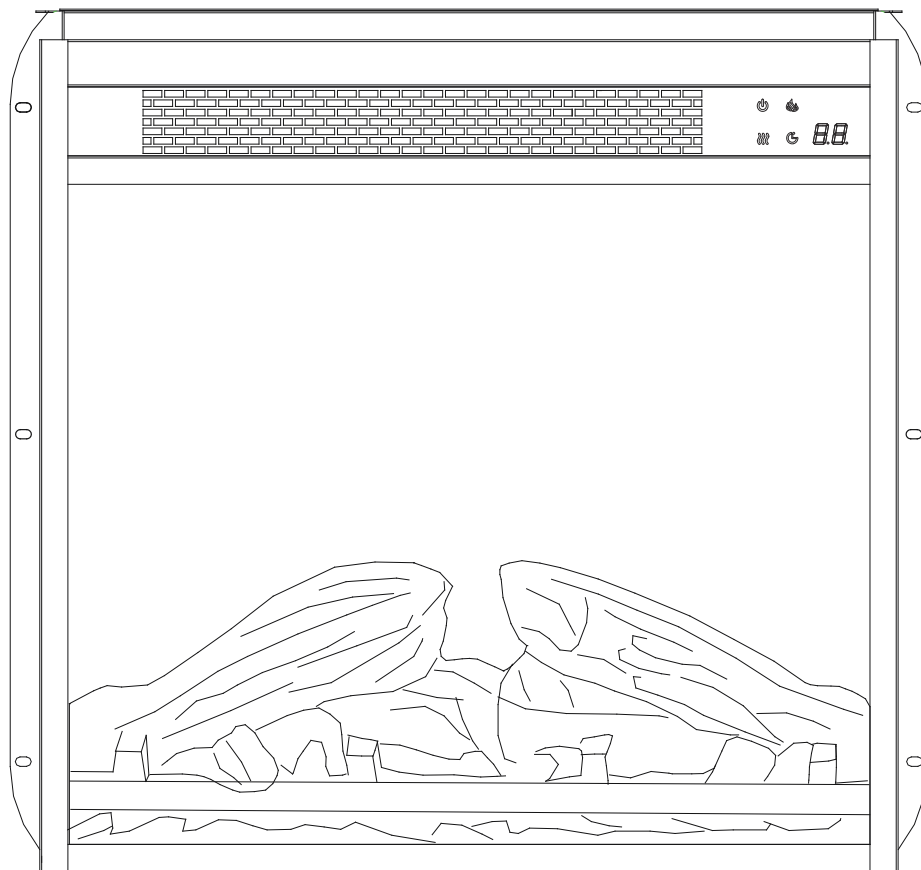



18" INSERT FIREPLACE HEATER



BELLEZE[®]

FOLLOW US:	CONTACT INFO:	ITEM NO. 050-HA-50018
 @bellezefurniture	support@belleze.com 1-800-682-6376	The instruction booklet contains IMPORTANT safety information. Please read it in full and keep it for future reference.

Scan this QR Code
to view our online tutorial



Estimated time for assembly:

15 mins

TECHNICAL SPECIFICATION

Model Number	050-HA-50018
Power Rating	1400 W
Voltage	120 V
Frequency	60 Hz

When using electrical appliances, basic safety precaution should always be followed including the following:

READ ALL INSTRUCTION BEFORE USE

1. Read all instructions before using this heater.
2. Do not use this heater outdoors.
3. This heater is not intended for use in bathrooms, laundry areas and similar indoor locations. Never locate the heater where it may fall into a bathtub or other water container.
4. Do not run the power cord under carpeting. Do not cover the power cord with throw rugs, runners, or the like. Arrange the power cord away from traffic areas and where it will not be tripped over.
5. To disconnect the heater, turn controls to off, then remove the plug from the outlet.
6. Connect to properly grounded outlet only. Always plug heaters directly into a wall outlet/receptacle. Never use with an extension cord or reloadable power tap (outlet/power strip).
7. To prevent a possible fire, do not use the firebox on soft surfaces, like a bed, where openings may become blocked.
8. There is a thermostat limiter inside the heater. When the inner temperature overheat or abnormal heating occurs, the thermostat protective device cuts off the power supply to avoid fireplace from damaged or risk of fire.
9. Use the heater only as described in the manual. Any other use not recommended by the manufacturer may cause fire, electrical shock, or injury.

 **WARNING**

There is no user serviceable parts inside the fireplace / heater. If the unit appears to be malfunction, turn off the unit and unplug from the wall outlet immediately, and then contact the customer service.

 **WARNING**

The heater is hot when in use. To avoid burns, do not touch hot surfaces. Keep combustible materials such as furniture, pillows, bedding, papers, clothes, and curtains at least 3 ft (0.9 m) away from the front of the heater, and away from the side or rear of the heater.

 **WARNING**

Extreme caution is necessary when heater is used by or near children or people with physical challenges and whenever the heater is left operating unattended.

 **WARNING**

Always unplug the heater when not in use.

 **WARNING**

Do not operate any heater with a damaged cord or plug or after the heater malfunctions, has been dropped, or damaged in any manner. Return the heater to an authorized service facility or examination, electrical or mechanical adjustment, or repair.

 **WARNING**

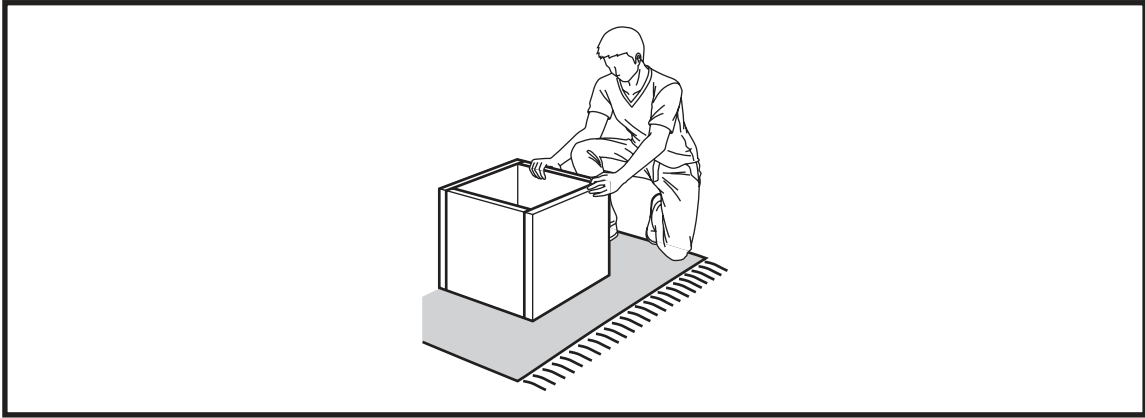
Do not insert or allow foreign objects to enter any ventilation or exhaust opening of the heater as this may cause an electric shock or fire, or damage to the heater.

 **WARNING**

A heater has hot and arching or sparking parts inside. Do not use in areas where gasoline, paint, or flammable liquids are used or stored.

 **WARNING**

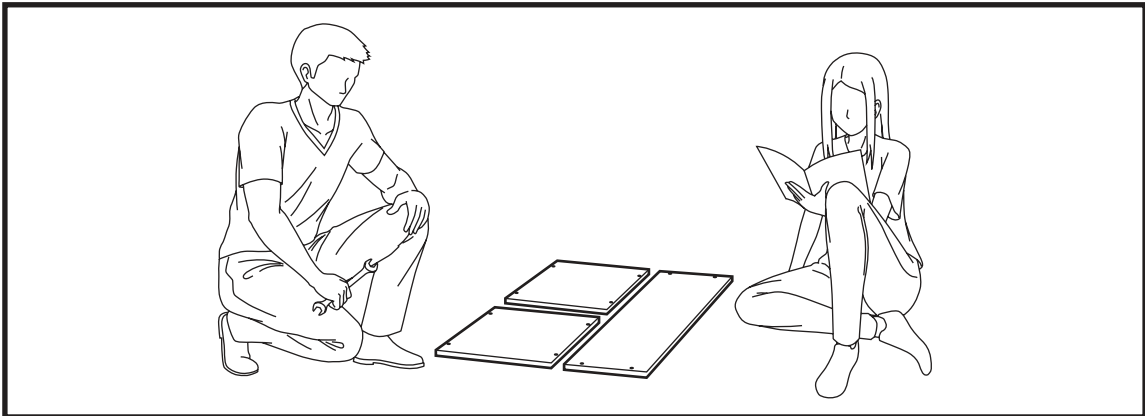
While the heater is in use, the top center of the fireplace can get hot to the touch, and may cause serious injury or burns. Always supervise small children around the fireplace / heater. Do not place any cloth or decorations over the heater outlet or fireplace, or otherwise obstruct the heater outlet of the fireplace, as this may cause a fire and serious injury.



Assemble the furniture on an empty carton, carpet, or rug to prevent scratches or damage.

For safety, please keep pets and children away from the assembly area.

Ensure the product is fully assembled before use. If you are missing any hardware or products, do not use it until you have restored the missing parts.



This furniture requires 2 people for assembly.

Read this instruction manual prior to assembly to familiarize yourself with the various steps.

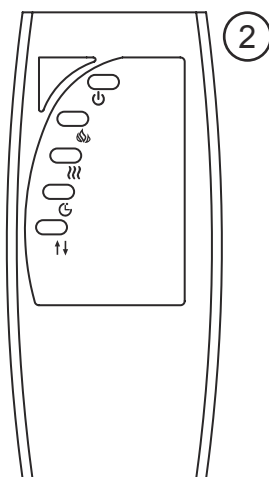
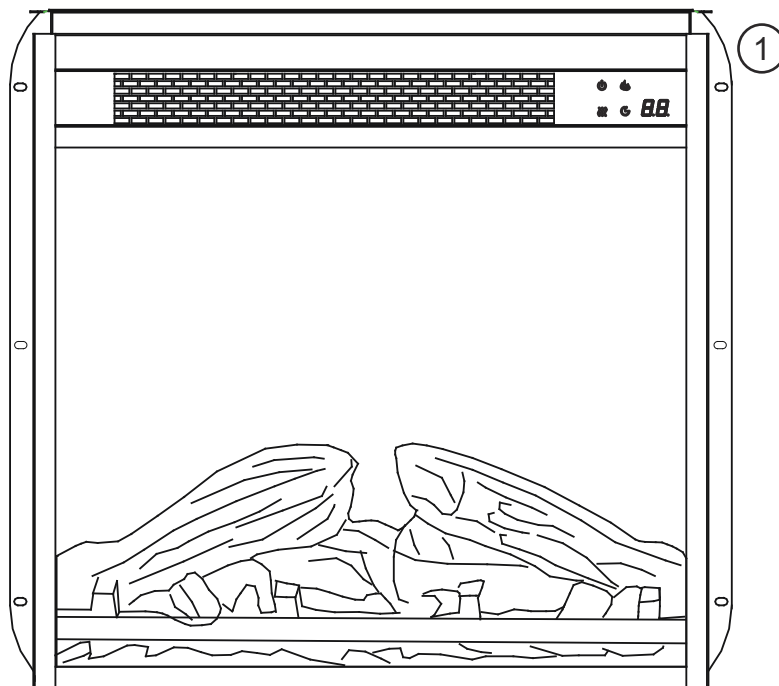
Lay out all components and hardware separately on a flat surface and make sure that no parts are missing or damaged before assembly. Do not destroy or discard any packaging until you are certain that you have all the necessary parts for assembly.

CAUTION

There are small components used in the construction of this product. Loose items should be kept away from pets and children to avoid a choking hazard.

Keep all plastic bags and packaging film away from pets and children to avoid suffocation.

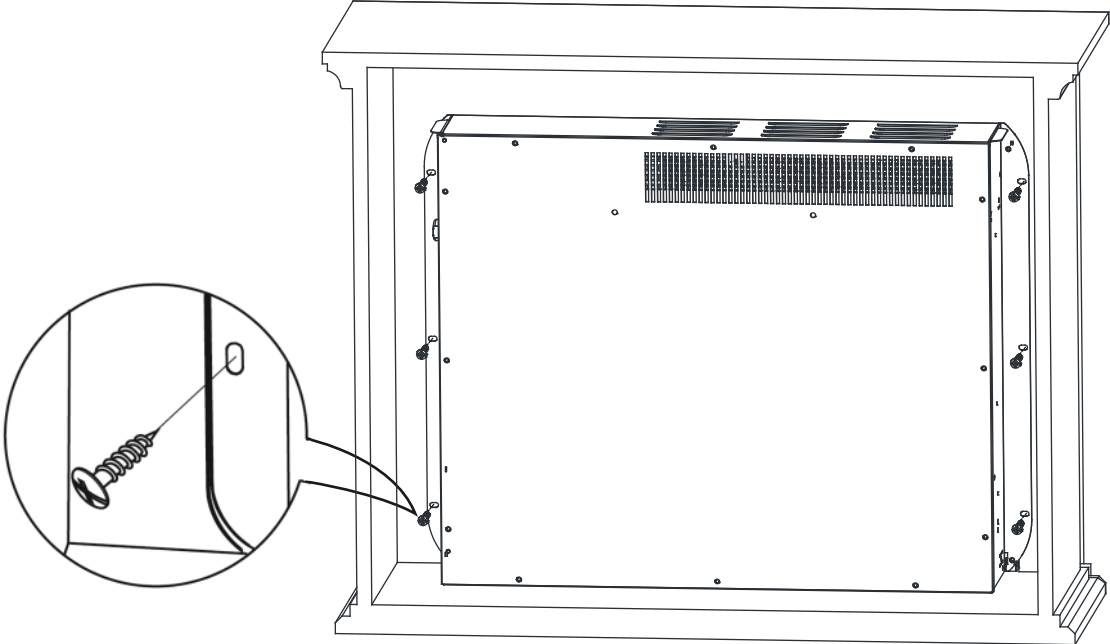
PACKAGE CONTENTS



PACKAGE CONTENTS

CODE	DESCRIPTION	QTY
1	Heater	1
2	Remote Control	1
3	4X12mm screw	6

Set the unit from the back of the fireplace mantel and center it in the opening. Check the alignment and attach the unit to the mantel by inserting screws through the drilled holes on the mantel.



NOTE: Do not attempt to install the unit from the front of the mantel. It will not fit.

YOU'RE FINISHED!

USER INSTRUCTION

Before use

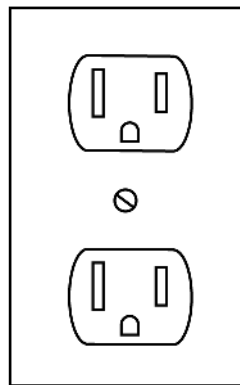
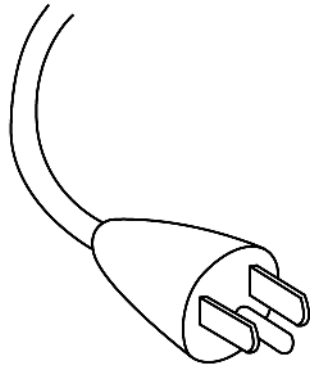
- Check that the air intake and exhaust is not covered or obstructed in anyway.
- Keep combustible objects at least 3 ft (0.9 m) away from the unit.
- Plug the unit to a grounded power socket

Grounding

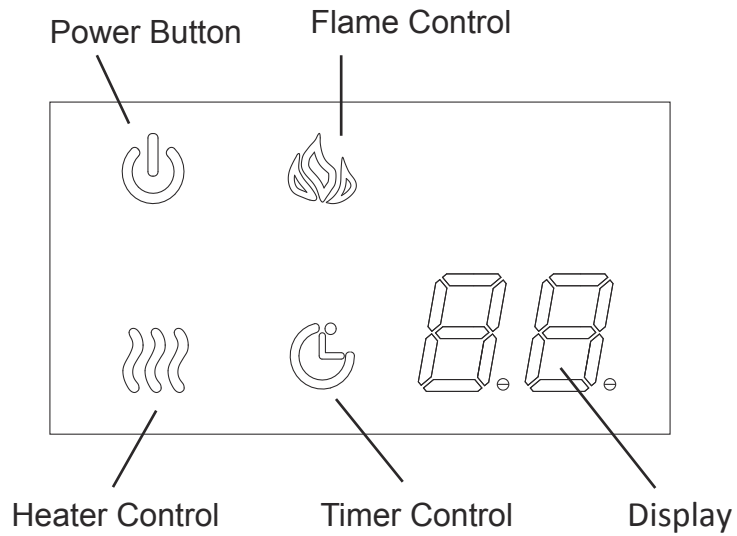
- This product must be grounded. If it should malfunction or breakdown, grounding provides a path of least resistance for electric current to reduce the risk of electric shock.
- This unit comes standard with a 6 ft (1.8 m) long, three wired cord. Always plug the unit into a wall outlet. An extenson or relocate tab should never be used.

CAUTION / WARNING

- Improper connection of the equipment grounding conductor can result in a risk of electric shock. Check with a qualified electrician or serviceman if you are in doubt as to whether the product is properly grounded.
- DO NOT modify the plug provided with the product nor using any bypass device if the plug does not fit the outlet. Have a proper outlet installed by a qualified electrician.

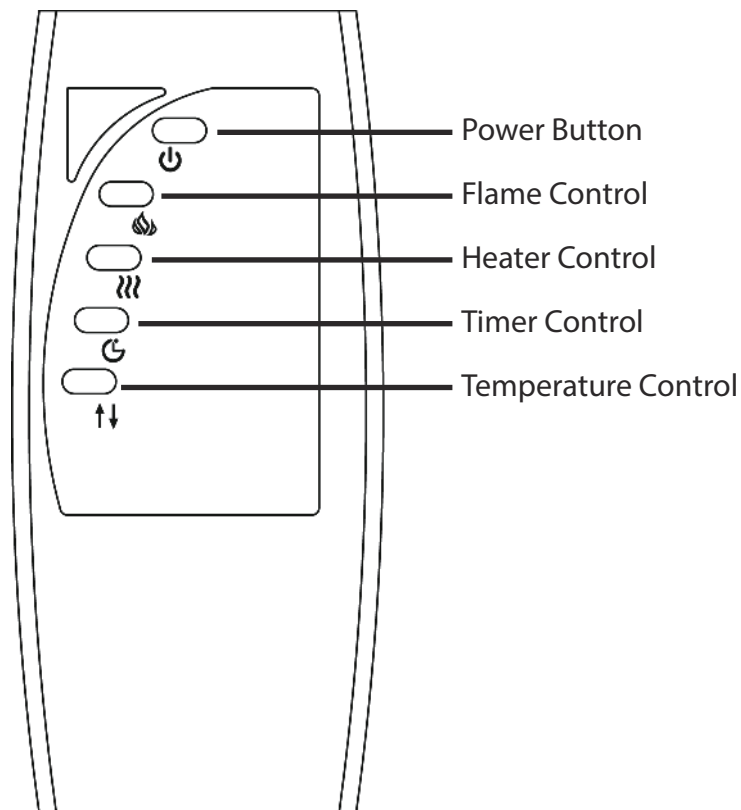


USER INSTRUCTION (CONTROLS)



Control Panel

The control panel is located on the top right corner of the unit.



Remote Control

The operation of the remote control buttons work the same as the button on the control panel.

NOTE: The remote control cannot be used to switch between degree Fahrenheit and degree Celsius.

USER INSTRUCTION (CONTROL PANEL)

Power ON / OFF

Press the power button to turn on the unit. Press again to turn off the unit.

NOTE: There is a thermostat limiter inside the unit. When the inner temperature is too hot, the unit will automatically turned off to avoid damage to the product or risk of fire.

CAUTION / WARNING

- DO NOT unplug the unit when it is still "ON"

Flame Control

Press the flame control button to control the flame brightness levels. The flame control includes 4 brightness level and flame effect off.

Heater Control

Press the heater control to turn on and off the heater.

Temperature Control (Control Panel)

When the heater is ON, press and hold the heater control button for 5 seconds to enter temperature adjustment mode. There are 11 temperature settings (64°F - 82°F / 18°C - 27°C).

Temperature Control (Remote Control)

When the heater is ON, press a temperature control button to adjust the temperature. There are 11 temperature settings (64°F - 82°F / 18°C - 27°C).

Lock Function

Press and hold the heater control button for 10 seconds, the ember bed will flash 6 times, indicating that the heater function is locked.

To unlock, press and hold the heater control button for 10 seconds again, the ember bed will flash 6 times, indicating that the heater function is unlocked.

NOTE: Lock function cannot be set with the remote control.

Changing Temperature Unit

On the heat mode, to switch from degree Fahrenheit to degree Celsius, press and hold the power button for 5 seconds, the display will flash 3 times and convert to another temperature unit.

NOTE: Temperature unit cannot be changed with the remote control.

Timer Control

Press the timer button to turn the timer on. Timer can be set between 1 to 8 hours with 1 hour interval.

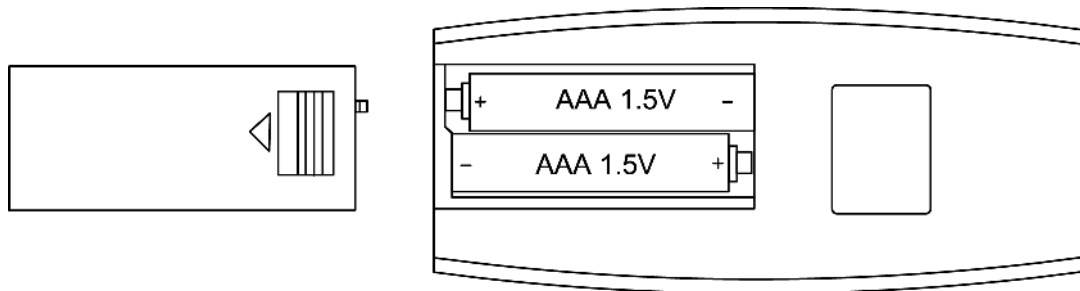
Once the timer is up, the heater will shut down and enter standby mode. Press the power button to start the heater.

USER INSTRUCTION (REMOTE CONTROL)

Install / Replace Battery

The remote control is provided with 2 AAA batteries.

1. Press and slide off the back cover from the remote control.
2. Insert 2 AAA batteries into the battery compartment and make sure to install batteries in the correct polarity.
3. The negative end of the battery should be install against the spring inside the battery compartment.



CAUTION / WARNING

- Dispose old / used battery at a suitable recycling point or according to local regulations.
- DO NOT ingest battery. If accidentally swallowed, seek for medical help immediately.

TROUBLE SHOOTING

Error Code	Possible Cause	Solution
E1	The heater is overheating	Call Customer Service
E2	NTC is defective	Call Customer Service
E3	The heat is not working	<p>Make sure the vents are not dirty or clogged. Unplug the power and wait for 5 minutes. Plug in the power again and turn on the heater.</p> <p>Call customer service if the problem is not resolved.</p>

BELLEZE®

FURNITURE CARE AND MAINTENANCE

Thank you for your purchase. We want your item to last as long as possible. To ensure the product gives you years of longevity, please follow the recommendations in this care and maintenance guide.



CLEANING

- Always turn off and unplug the unit from the power outlet before cleaning.
- Always wait until the unit has cooled down before performing any maintenance or cleaning.
- Remove any accumulated dust on the unit with a vacuum cleaner or duster.
- Clean the furniture surface with a lightly dampened cloth or soft brush.
- Dry the surface immediately after cleaning.

⚠ DO NOT use abrasive cleaner to clean the surface.

⚠ WARNING

The manufacturer and seller are not responsible for any and all liability relating to personal injury, property damage or losses, whether direct, indirect, or incidental, resulting from the incorrect attachment, improper use, inadequate maintenance, unapproved modification or neglect of this product.

Model no.: 050-HA-50118

This device complies with part 15 of the FCC rules. Operation is subject to the following two conditions:
(1) This device may not cause harmful interference, and
(2) this device must accept any interference received, including interference that may cause undesired operation.

⚠ WARNING: Changes or modifications to this unit not expressly approved by the party responsible for the compliance could void the user's authority to operate the equipment.

NOTE: This equipment has been tested and found to comply with the limits for Class B digital device, pursuant to part 15 of the FCC rules. These limits are designed to provide reasonable protection against harmful interference in a residential installation. This equipment generates, uses and can radiate radio frequency energy and if not installed and used in accordance with the instructions, may cause harmful interference to radio or television reception, which can be determined by turning the equipment off and on, the user is encouraged to try to correct the interference by one or more of the following measures:

- Reorient or relocate the receiving antenna.
- Increase the separation between the equipment and the receiver.
- Connect the equipment into an outlet on a circuit different from that to which the receiver is connected.
- Consult the dealer or an experienced radio /TV technical for help.

Importer: ALIGN INC

Importer Address: 19301 E Walnut dr. N. City of industry CA91748 united states

Importer Tel: 1(800) 946-6151

© All copyright of this document belongs to BELLEZE .
This document may not be printed, translated, reproduced, or distributed in whole or in part without written permission from BELLEZE.

WARRANTY

BELLEZE products come with a 1-year warranty from the date of delivery.
Register your product on our website to enjoy our limited lifetime warranty!



AFTER-SALE SERVICE



Encounter any difficulties or missing parts?



Contact us at **1-800-682-6376** or email us at **support@belleze.com**



We will send you replacement.



Hassle free!
No need to worry about repackaging and sending your item back.

We hope you enjoy your new BELLEZE furniture!
Share your photos on Instagram and tag us: @bellezefurniture.

FOLLOW US:



@bellezefurniture

CONTACT INFO:

support@belleze.com
1-800-682-6376

BELLEZE®