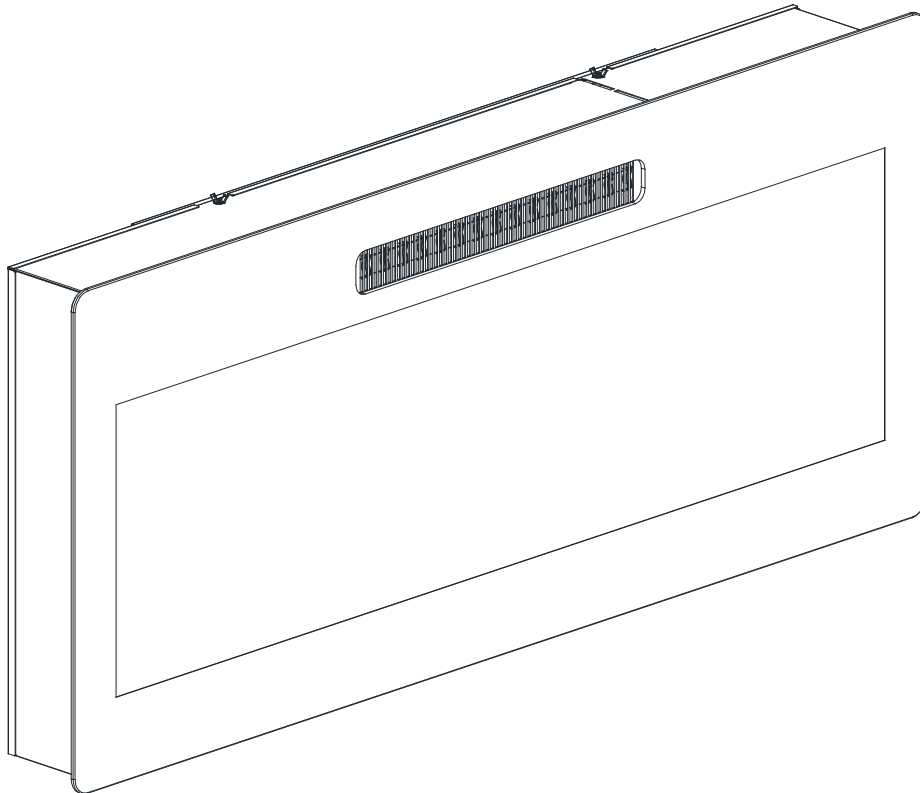


36" Fireplace Heater 42" Fireplace Heater



BELLEZE[®]

FOLLOW US:



@bellezefurniture

CONTACT INFO:

support@belleze.com
1-800-682-6376

ITEM NO. 050-HA-50036 / 050-HA-50042

The instruction booklet contains **IMPORTANT** safety information. Please read it in full and keep it for future reference.










www.belleze.com

TABLE OF CONTENTS

Safety Information	03
Technical Specification	06
Package Contents	07
Installation	08
Users Instruction	14
Control Panel	15
Remote Control	17
Trouble Shooting	19

When using electrical appliances, basic safety precautions should always be followed including the following:

READ ALL INSTRUCTIONS BEFORE USE AND KEEP THESE INSTRUCTIONS

1. Read all instructions before using this heater.
 2. Do not use this heater outdoors.
 3. This heater is not intended for use in bathrooms, laundry areas and similar indoor locations. Never locate the heater where it may fall into a bathtub or other water container.
 4. Do not run the power cord under carpeting. Do not cover the power cord with throw rugs, runners, or the like. Arrange the power cord away from traffic areas and where it will not be tripped over.
 5. To disconnect the heater, turn controls to off, then remove the plug from the outlet.
 6. Connect to properly grounded outlet only. Always plug heaters directly into a wall outlet/receptacle. Never use with an extension cord or reloadable power tap (outlet/power strip).
 7. To prevent a possible fire, do not block operate the firebox on soft surfaces, like a bed, where openings may become blocked.
 8. There is a thermostat limiter inside the heater. When the inner temperature overheat or abnormal heating occurs, the thermostat protective device cuts off the power supply to avoid fireplace from damaged or risk of fire.
 9. Use the heater only as described in the manual. Any other use not recommended by the manufacturer may cause fire, electrical shock, or injury to persons.
 10.  **WARNING:** Manufacturer and seller expressly disclaim any and all liability for personal injury, property damage or loss, whether direct, indirect, or incidental, resulting from the incorrect attachment, improper use, inadequate maintenance, unapproved modification, or neglect of this product.
-  **WARNING:** There is no user serviceable parts inside fireplace/heater. If the unit appears to malfunction, turn the unit off and unplug from the wall immediately and contact Customer Service.
-  **WARNING:** This heater is hot when in use. To avoid burns, do not let bare skin touch hot surfaces. If provided, use handles when moving thos heater. Keep combustible material, such as furniture, pillows, bedding, papers, clothes, and curtains at least 3ft (0.9m) from the front of the heater and keep them away from the side or rear.
-  **WARNING:** Extreme caution is necessary when any heater is used by or near children or invalids and whenever the heater is left operating and unattended.
-  **WARNING:** Always unplug the heater when not in use.
-  **WARNING:** Do not operate any heater with a damaged cord or plug or after the heater malfunctions, has been dropped, or damaged in any manner. Return the heater to an authorized service facility for examination, electrical or mechanical adjustment, or repair.
-  **WARNING:** Do not insert or allow foreign objects to enter any ventilation or exhaust openings as this may cause an electric shock or fire, or damage to the heater.
-  **WARNING:** A heater has hot and arching or sparking parts inside. Do not use in areas where gasoline, paint, or flammable liquids are used or stored.
-  **CAUTION:** While the heater is in use, the top center of the fireplace can get hot to the touch, and may cause serious injury or burns. Always supervise children around the fireplace/heater. Do not place any cloth or decorations over the heater outlet or fireplace, or otherwise obstruct the heater outlet of the fireplace, as this may cause a fire and serious injury.

Model No.: 050-HA-50036
050-HA-50042

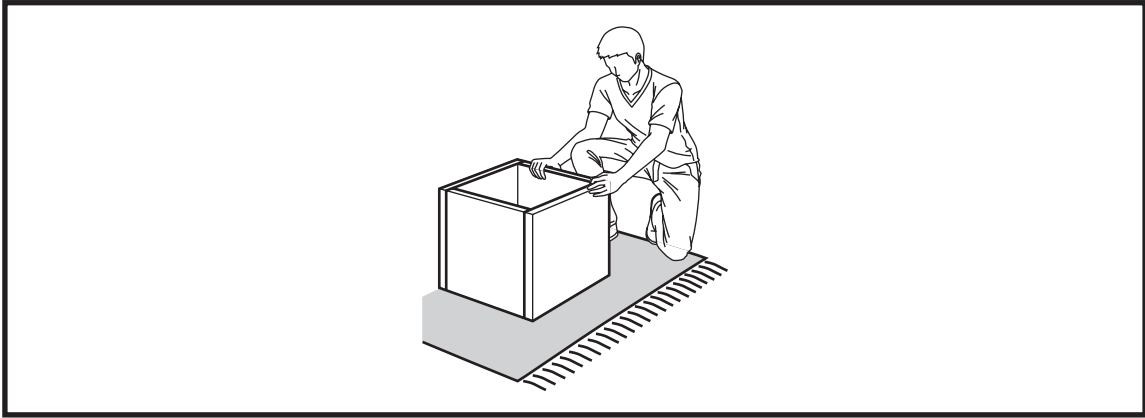
This device complies with Part 15 of the FCC Rules. Operation is subject to the following two conditions: (1) this device may not cause harmful interference, and (2) this device must accept any interference received, including interference that may cause undesired operation.

⚠ WARNING: Changes or modifications to this unit not expressly approved by the party responsible for compliance could void the user's authority to operate the equipment.

NOTE: This equipment has been tested and found to comply with the limits for a Class B digital device, pursuant to Part 15 of the FCC Rules. These limits are designed to provide reasonable protection against harmful interference in a residential installation. This equipment generates, uses and can radiate radio frequency energy and, if not installed and used in accordance with the instructions, may cause harmful interference to radio communications. However, there is no guarantee that interference will not occur in a particular installation. If this equipment does cause harmful interference to radio or television reception, which can be determined by turning the equipment off and on, the user is encouraged to try to correct the interference by one or more of the following measures:

- Reorient or relocate the receiving antenna.
- Increase the separation between the equipment and receiver.
- Connect the equipment into an outlet on a circuit different from that to which the receiver is connected.
- Consult the dealer or an experienced radio/TV technician for help.

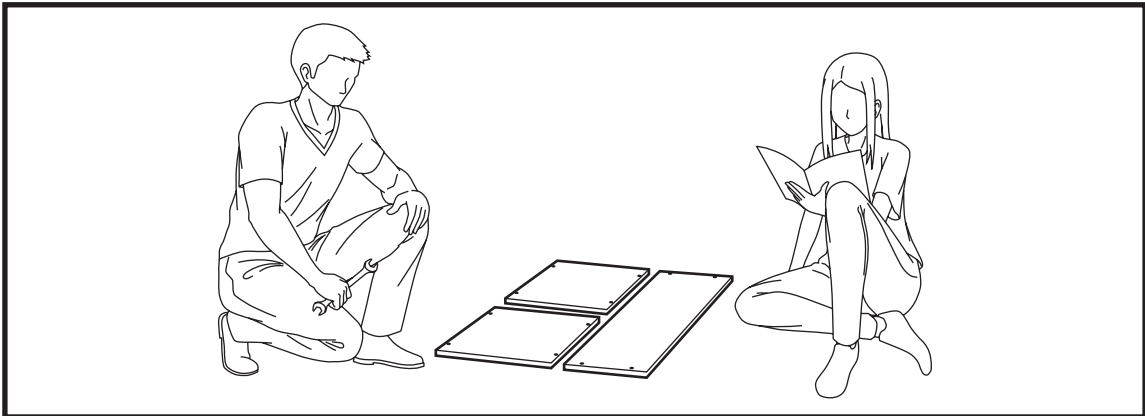
Importer: ONEBIGOUTLET
Importer Address: 19301 E Walnut Dr. N., City of Industry CA 91745 United States
Importer Tel: 1-800-682-6376



Assemble the furniture on an empty carton, carpet, or rug to prevent scratches or damage.

For safety, please keep pets and children away from the assembly area.

Ensure the product is fully assembled before use. If you are missing any hardware or products, do not use it until you have restored the missing parts.



This furniture requires 2 people for assembly.

Read this instruction manual prior to assembly to familiarize yourself with the various steps.

Lay out all components and hardware separately on a flat surface and make sure that no parts are missing or damaged before assembly. Do not destroy or discard any packaging until you are certain that you have all the necessary parts for assembly.

Hand tight all hardware and careful not to over tighten to avoid damaging the product.

CAUTION

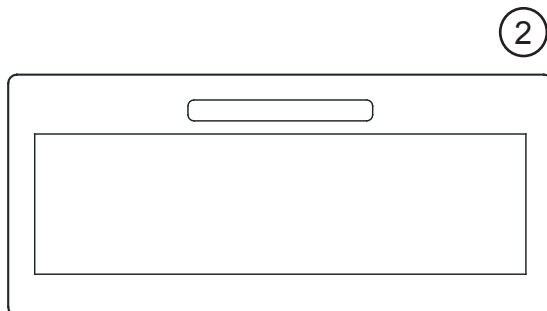
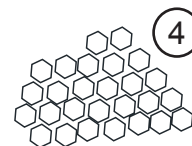
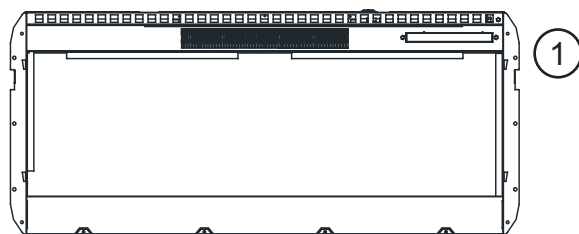
There are small components used in the construction of this product. Loose items should be kept away from pets and children to avoid a choking hazard.

Keep all plastic bags and packaging film away from pets and children to avoid suffocation.

TECHNICAL SPECIFICATION

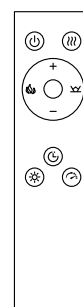
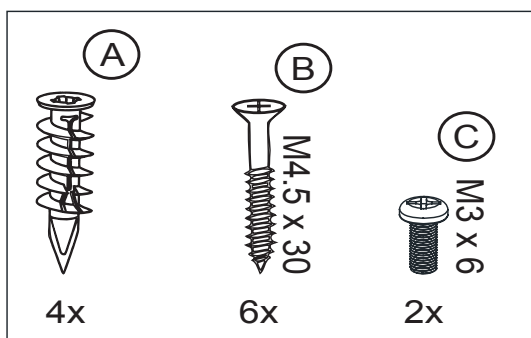
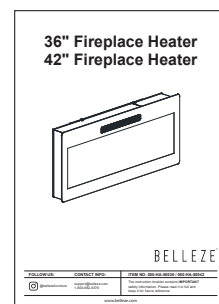
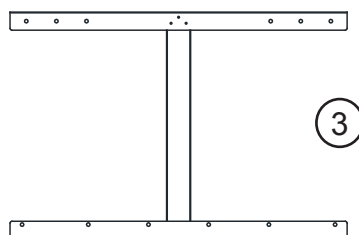
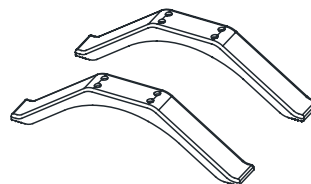
Model Number	050-HA-50036	050-HA-50042
Dimensions(WxDxH)	36"x4.2"x16"	42"x4.2"x16"
Net Weight	23.8 lbs	27.3 lbs
Gross Weight	28.0 lbs	32.6 lbs
Power Rating	1400 W	1400 W
Voltage	120 V	120 V
Frequency	60 Hz	60 Hz

PACKAGE CONTENTS



5

Depending on models



PACKAGE CONTENTS

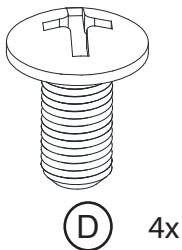
CODE	DESCRIPTION	QTY
1	Heater	1
2	Glass Front Panel	1
3	Mounting Bracket	1
4	Decorative Crystals	1 bag
5	Table Top Support(optional)	2
6	Manual	1
7	Hardware Screw Bag	1 bag
8	Remote Control (without batteries)	1

(TABLE TOP) - Depending on models

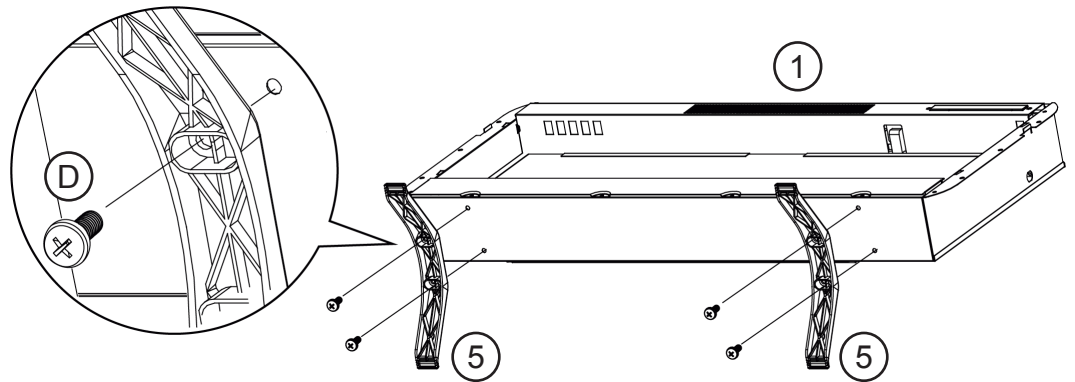
Required tools for assembly (Not included)



1

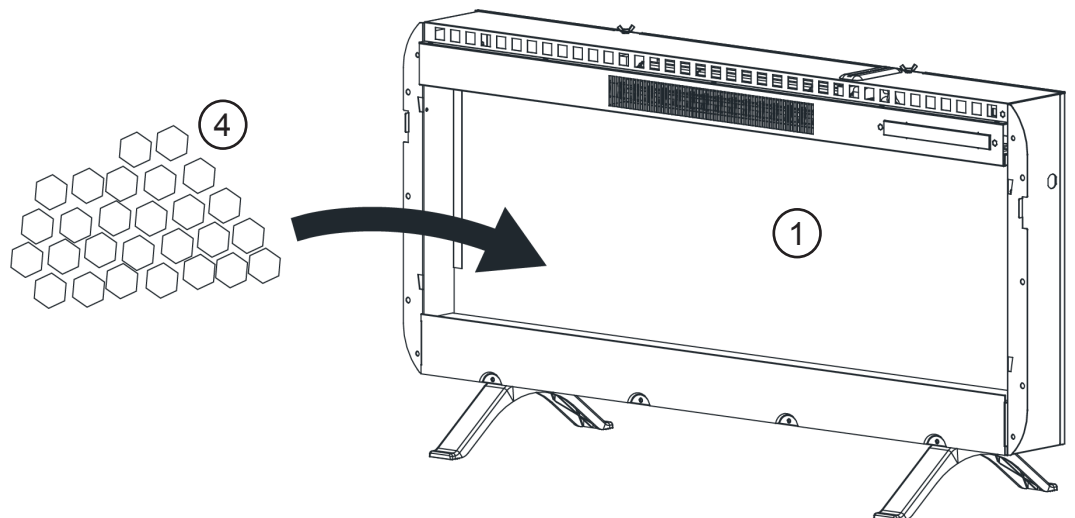


Attach the table top supports underneath the heater.



2

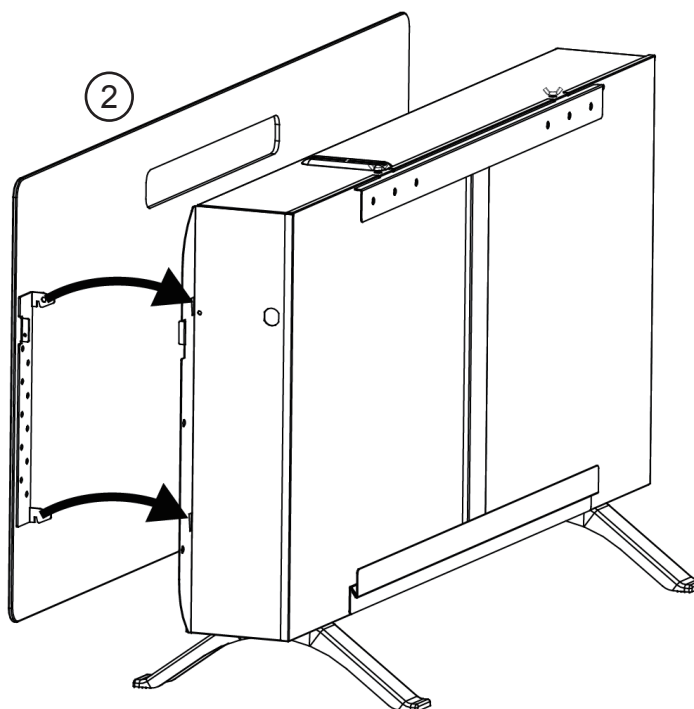
Place decorative crystals inside the heater.



(TABLE TOP) - Depending on models

3

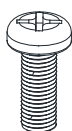
Put the glass front panel on the heater.



⚠ CAUTION
Careful when handling glass to prevent injury or damage.

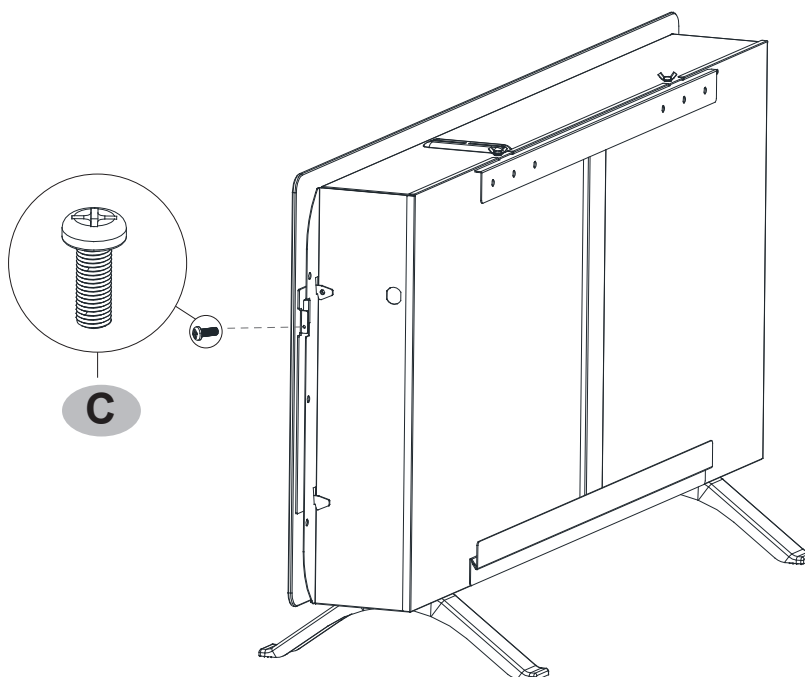
4

Secure the glass front panel to the heater with the provided screws



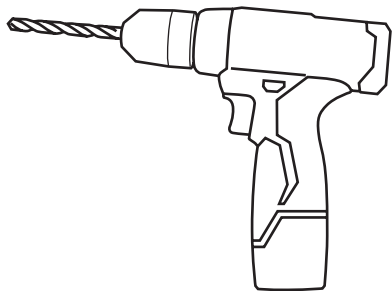
(C)

2x



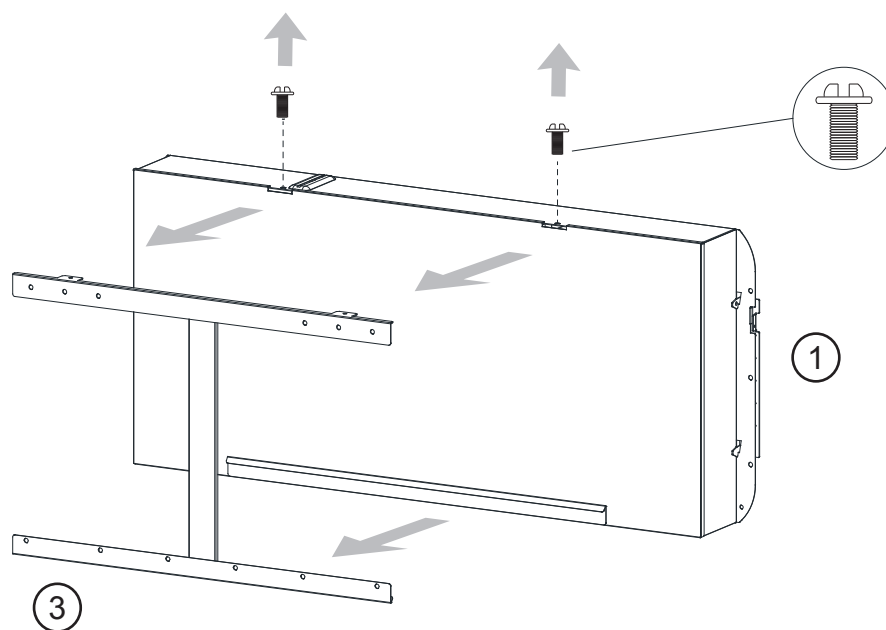
INSTALLATION (WALL MOUNTING)

Required tools for assembly (Not included)



1

Remove the mounting bracket from the back of the heater.

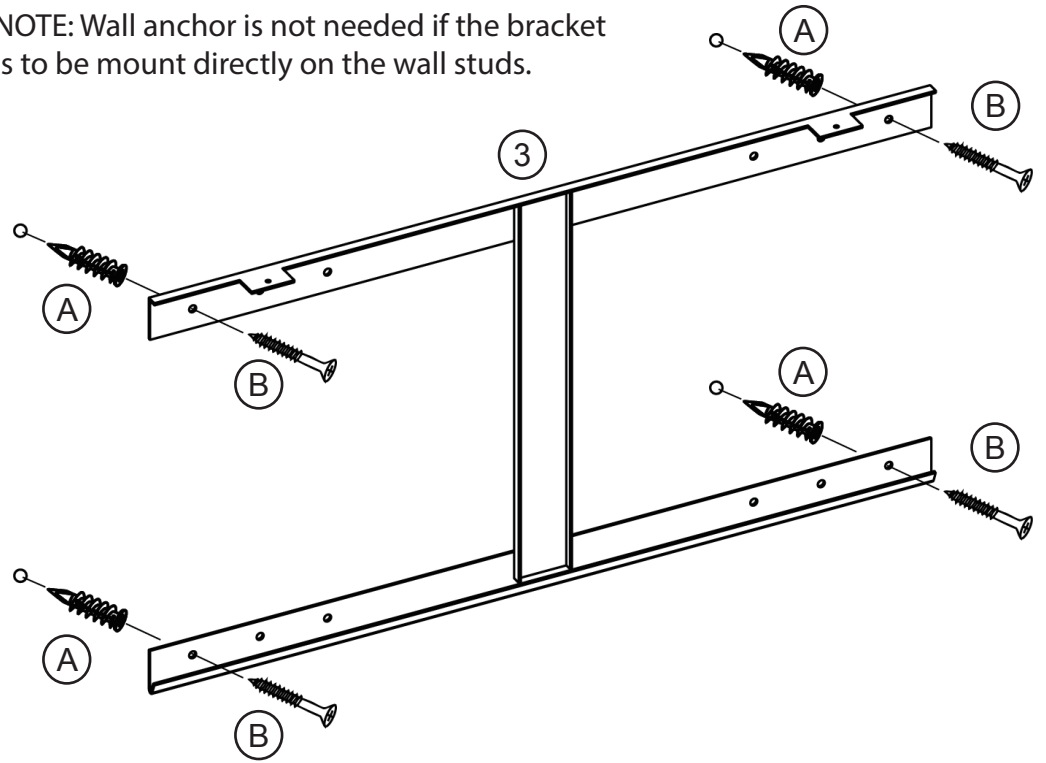


INSTALLATION (WALL MOUNTING)

2

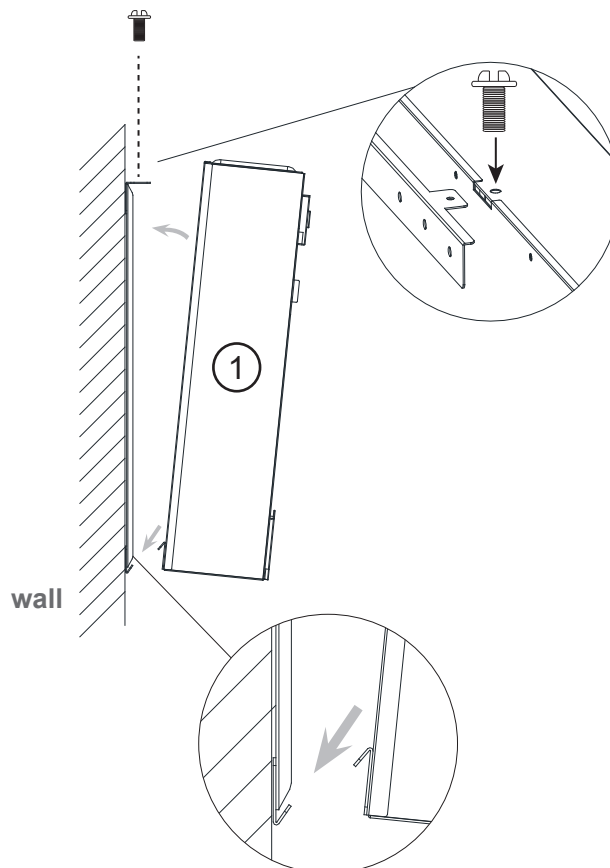
Attach the mounting bracket to a wall.

NOTE: Wall anchor is not needed if the bracket is to be mount directly on the wall studs.



3

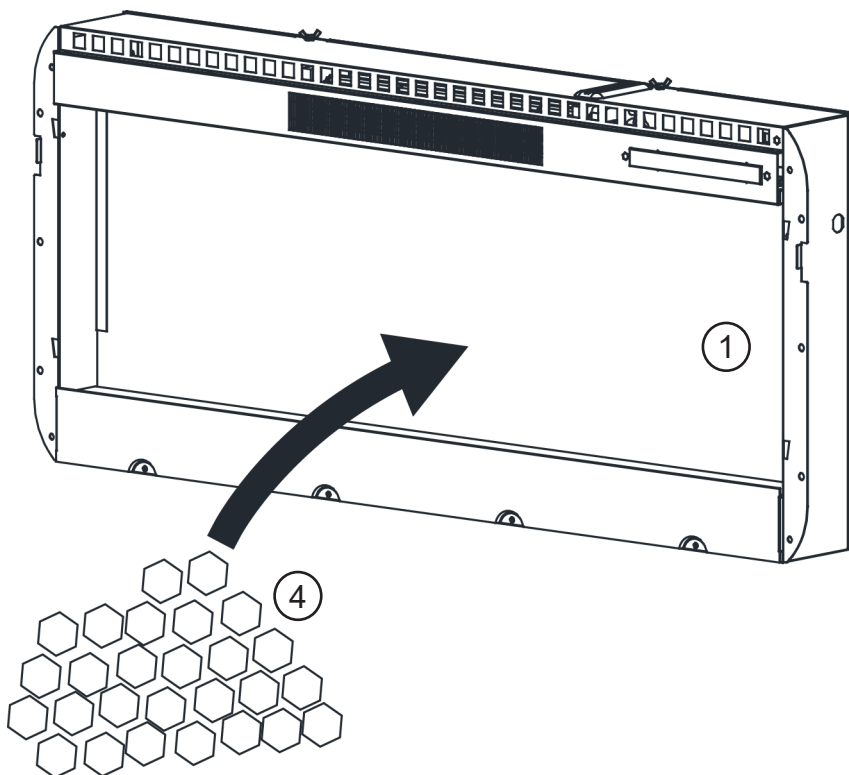
Mount the heater to the mounting bracket.



INSTALLATION (WALL MOUNTING)

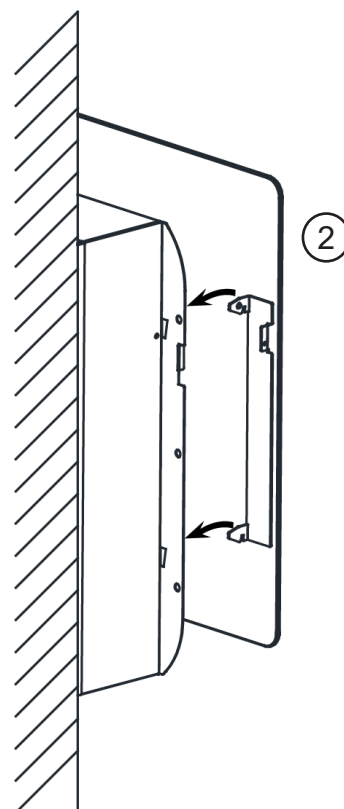
4

Place decorative crystals inside the heater.



5

Put the glass front panel on the heater.

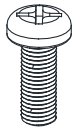


⚠ CAUTION
Careful when handling glass to prevent injury or damage.

INSTALLATION (WALL MOUNTING)

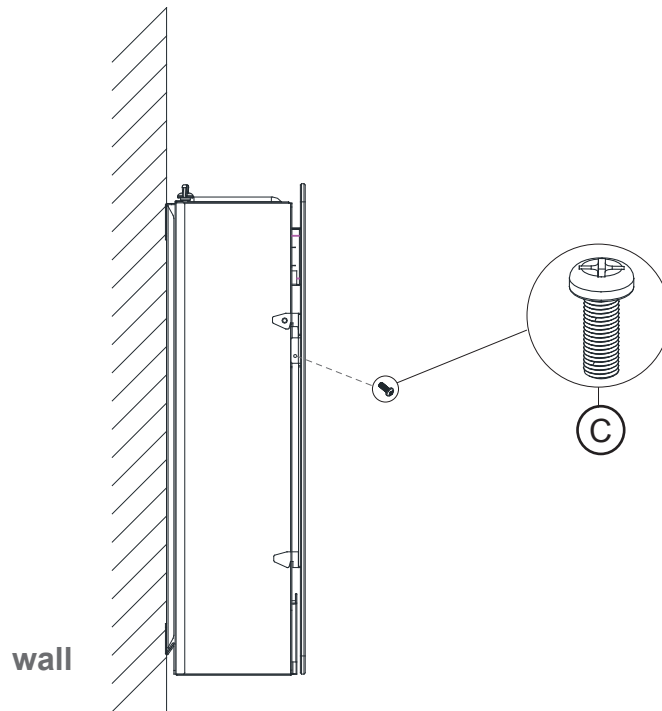
6

Secure the glass front panel to the heater with the provided screws



Ⓒ

2x



USER INSTRUCTION

Before use

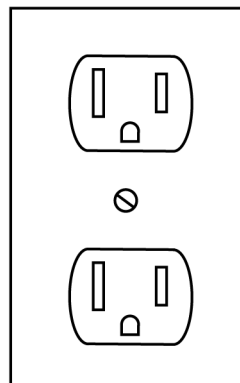
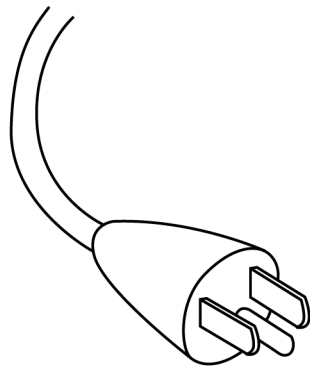
- Check that the air intake and exhaust is not covered or obstructed in anyway.
- Keep combustible objects at least 3 ft (0.9 m) away from the unit.
- Plug the unit to a grounded power socket.

Grounding

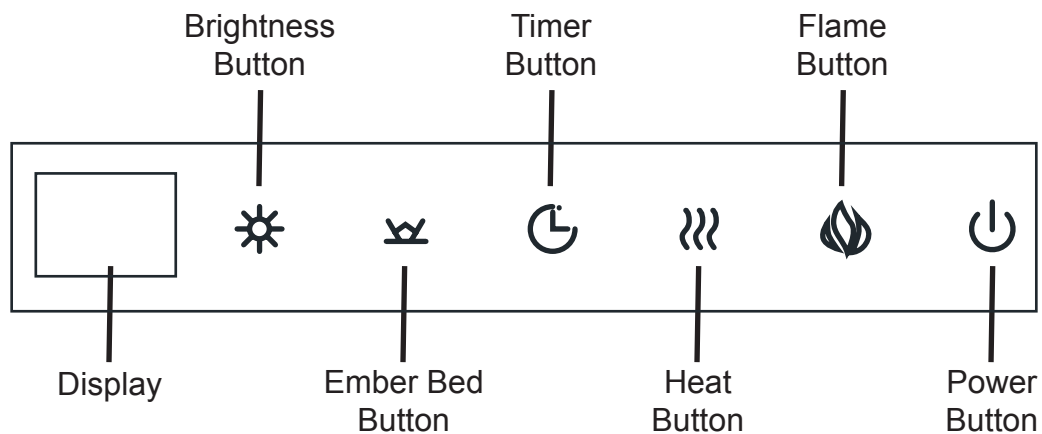
- This product must be grounded. If it should malfunction or breakdown, grounding provides a path of least resistance for electric current to reduce the risk of electric shock.
- Follow your local codes or CSA C22.1 Canadian Electrical Code or National Electrical Code ANSI / NSPA NO.70.

CAUTION / WARNING

- Improper connection of the equipment grounding conductor can result in a risk of electric shock. Check with a qualified electrician or serviceman if you are in doubt as to whether the product is properly grounded.
- DO NOT modify the plug provided with the product nor using any bypass device if the plug does not fit the outlet. Have a proper outlet installed by a qualified electrician.



USER INSTRUCTION (CONTROL PANEL)



Control Panel

The control panel is located on the top right corner of the unit.

To control the unit, touch any button to wake up the control panel. The power button will flash, and all other buttons will light up.

The control panel will turn off after 10 seconds of inactivity

Power ON / OFF

Press the power button to turn on the unit.

Press the power button again to turn off the unit.

The built-in memory will allow all the settings remain the same as the last time you turn off the unit (except timer).

CAUTION / WARNING

- DO NOT unplug the unit when it is still "ON"

Heater Control

Press the heat button to enable the heat function. The display window will blink and show the temperature. The default temperature is 82°F.

Keep pressing the heat button to set temperature between 64°F to 82°F or 18°C to 27°C.

When the temperature display stop blinking, press the heat button to turn off the heat function.

Press and hold the heat button for 10 second to lock the heat function. The ember bed will flash 6 times to indicate heat function is locked.

Press and hold the heat button for 10 second again to unlock the heat function. The ember bed will flash 6 times to indicate heat function is unlocked.

F / °C Conversion

When the heat function is ON, press and hold the power button. The temperature indicator will flash after 5 seconds, and change temperature unit after 8 seconds.

USER INSTRUCTION (CONTROL PANEL)

Flame Control

Press the flame button to turn on the flame effect.

Press the Flame button multiple times to cycle through color rotation option (01), 15 color options (02, 03, 04, 05, 06, 06, 07, 08, 09, 10, 11, 12, 13, 14, 15, 16) and flames OFF.

Ember Bed Control

Press the ember bed button to turn on the ember bed light effect.

Press the Ember Bed button multiple times to cycle through color rotation option (01), 15 color options (02, 03, 04, 05, 06, 06, 07, 08, 09, 10, 11, 12, 13, 14, 15, 16) and ember bed OFF.

Brightness Control

Press the brightness button to control the brightness of the flame effect and the ember bed light effect.

The display will show L1 to L5 for the flame effect brightness setting, and d1 to d5 for the ember bed light effect setting.

NOTE: Brightness control is not operational when the flame setting at 01 and the ember bed light effect setting at 01.

Timer Control

Press the timer control button to turn the timer on.

Continue pressing the timer control button to cycle through the timer setting from 1H to 9H and off.

When the countdown timer hit 0, the unit will shut off all function and enter stand-by mode.

Press the power button again to turn on the unit.

USER INSTRUCTION (REMOTE CONTROL)

Power

The Power Button turns the fireplace ON and OFF.

Heat

The Heat Button turns the heat ON and OFF. Press “+” or “-” button to setting the temperature.

Flame

The Flame Button turns the flame ON and OFF. Press “+” or “-” button to setting the flame color.

Ember bed

The Ember Bed Button turns the ember bed and sidelight ON and OFF. Press “+” or “-” button to setting the ember bed and sidelight color.

Timer

The Timer Button turns the timer ON and OFF. Press “+” or “-” button to setting the timer.

Brightness

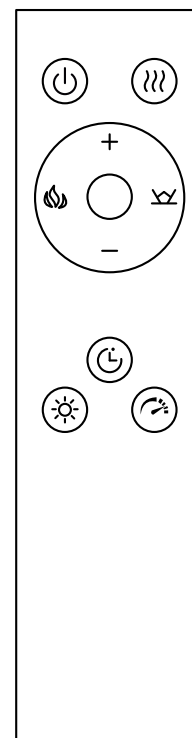
The Brightness Button turns the brightness of flame , ember and sidelight.

Speed

Then Speed Button is used to adjust the flame speed.

Speed Control (Remote Control Only Function)

Press the speed button on the remote control to change the flame effect speed

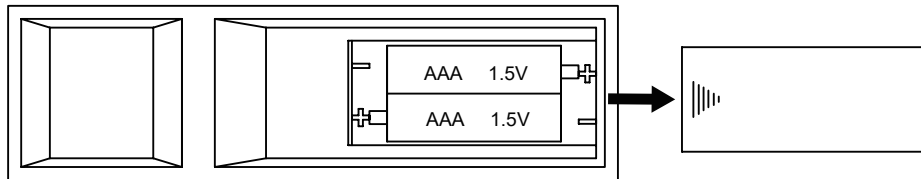


USER INSTRUCTION (REMOTE CONTROL)

Install / Replace Battery

This remote control uses 2 AAA batteries. (not included)

1. Press and slide off the back cover from the remote control.
2. Insert 2 AAA batteries into the battery compartment and make sure to install batteries in the correct polarity.
3. The negative end of the battery should be install against the spring inside the battery compartment.



CAUTION / WARNING

- Dispose old / used battery at a suitable recycling point or according to local regulations.
- DO NOT ingest battery. If accidentally swallowed, seek for medical help immediately.
- Do not mix different kinds of batteries.

TROUBLE SHOOTING

Error Code	Possible Cause	Solution
E1	The heater is overheating	Call Customer Service
E2	NTC is defective	Call Customer Service
E3	The heat is not working	<p>Make sure the vents are not dirty or clogged. Unplug the power and wait for 5 minutes. Plug in the power again and turn on the heater.</p> <p>Call customer service if the problem is not resolved.</p>

BELLEZE®

FURNITURE CARE AND MAINTENANCE

Thank you for your purchase. We want your item to last as long as possible. To ensure the product gives you years of longevity, please follow the recommendations in this care and maintenance guide.



CLEANING

- Always turn off and unplug the unit from the power outlet before cleaning.
- Always wait until the unit has cooled down before performing any maintenance or cleaning.
- Remove any accumulated dust on the unit with a vacuum cleaner or duster.
- Clean the furniture surface with a lightly dampened cloth or soft brush.
- Dry the surface immediately after cleaning.

⚠ DO NOT use abrasive cleaner to clean the surface.

⚠ WARNING

The manufacturer and seller are not responsible for any and all liability relating to personal injury, property damage or losses, whether direct, indirect, or incidental, resulting from the incorrect attachment, improper use, inadequate maintenance, unapproved modification or neglect of this product.



Model no.: 050-HA-50036
050-HA-50042

This device complies with part 15 of the FCC rules. Operation is subject to the following two conditions:
(1) This device may not cause harmful interference, and
(2) this device must accept any interference received, including interference that may cause undesired operation.

⚠ WARNING: Changes or modifications to this unit not expressly approved by the party responsible for the compliance could void the user's authority to operate the equipment.

NOTE: This equipment has been tested and found to comply with the limits for Class B digital device, pursuant to part 15 of the FCC rules. These limits are designed to provide reasonable protection against harmful interference in a residential installation. This equipment generates, uses and can radiate radio frequency energy and if not installed and used in accordance with the instructions, may cause harmful interference to radio or television reception, which can be determined by turning the equipment off and on, the user is encouraged to try to correct the interference by one or more of the following measures:

- Reorient or relocate the receiving antenna.
- Increase the separation between the equipment and the receiver.
- Connect the equipment into an outlet on a circuit different from that to which the receiver is connected.
- Consult the dealer or an experienced radio /TV technical for help.

Importer: ALIGN INC.

Importer Address: City of industry CA91748 United States

Importer Tel: 1(800) 946-6151

© All copyright of this document belongs to BELLEZE .
This document may not be printed, translated, reproduced, or distributed in whole or in
part without written permission from BELLEZE.

WARRANTY

BELLEZE products come with a 1-year warranty from the date of delivery.
Register your product on our website to enjoy our limited lifetime warranty!



AFTER-SALE SERVICE



Encounter any difficulties or missing parts?



Contact us at **1-800-682-6376** or email us at **support@belleze.com**



We will send you replacement.



Hassle free!
No need to worry about repackaging and sending your item back.

We hope you enjoy your new BELLEZE furniture!
Share your photos on Instagram and tag us: @bellezefurniture.

FOLLOW US:



@bellezefurniture

CONTACT INFO:

support@belleze.com
1-800-682-6376

BELLEZE®