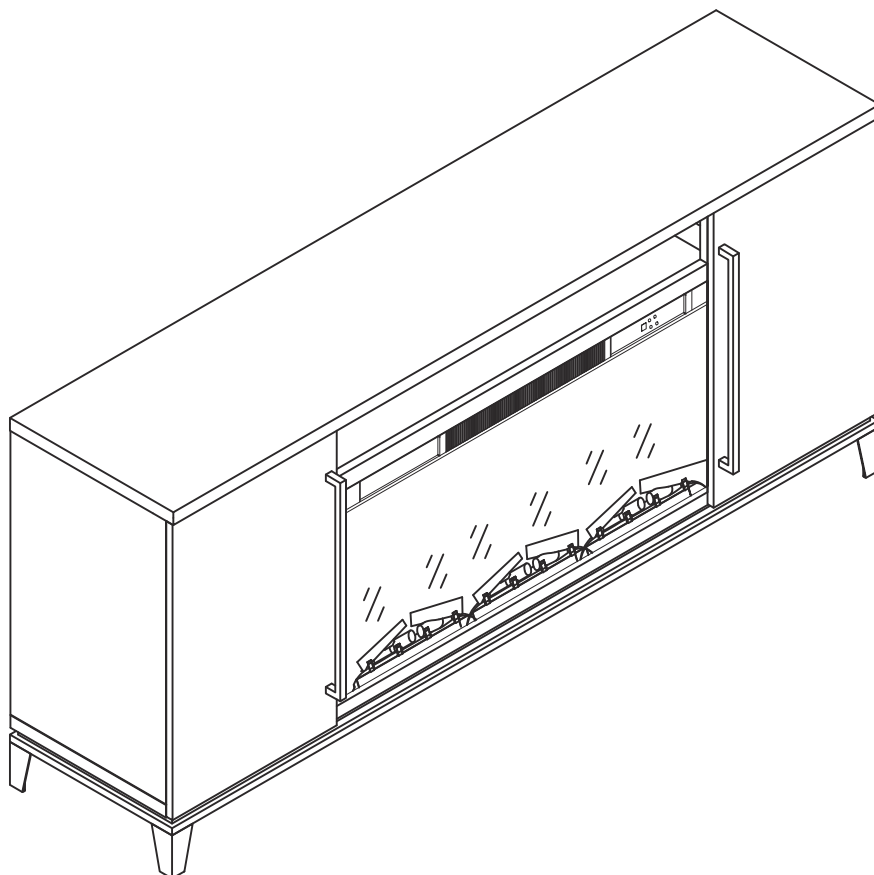


London Fireplace Entertainment Center



BELLEZE[®]

FOLLOW US:



@bellezefurniture

CONTACT INFO:

support@belleze.com
1-800-682-6376

ITEM NO. 014-HG-41897

The instruction booklet contains **IMPORTANT** safety information. Please read it in full and keep it for future reference.

www.belleze.com

Scan this QR Code
to view our online tutorial

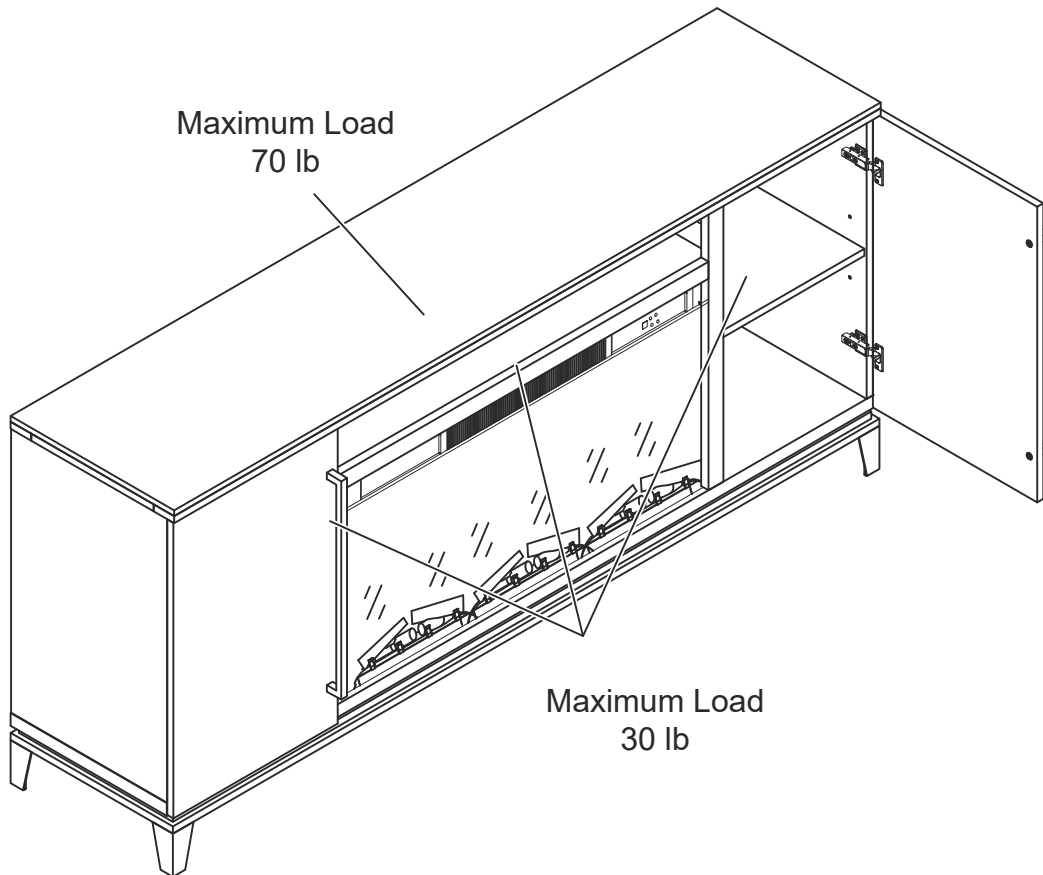


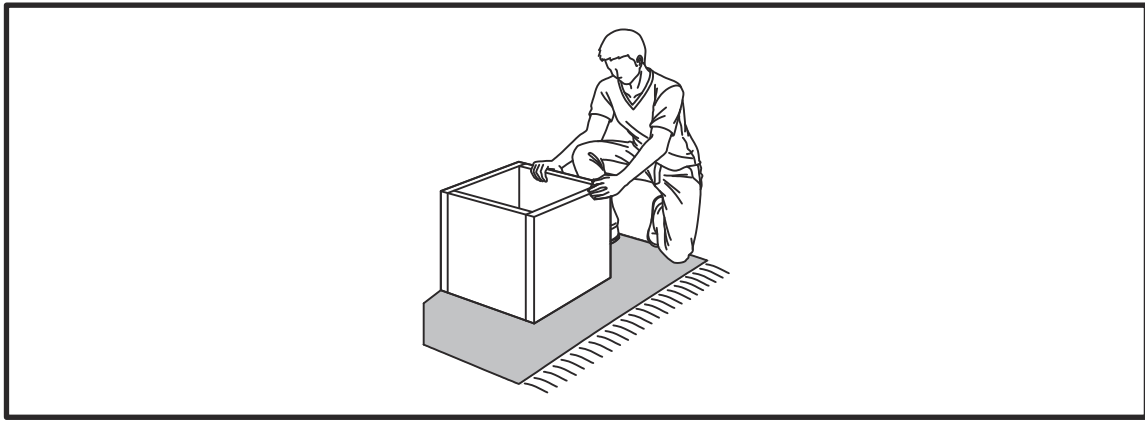
Estimated time for assembly:

100 mins



Weight limitations are as follows:

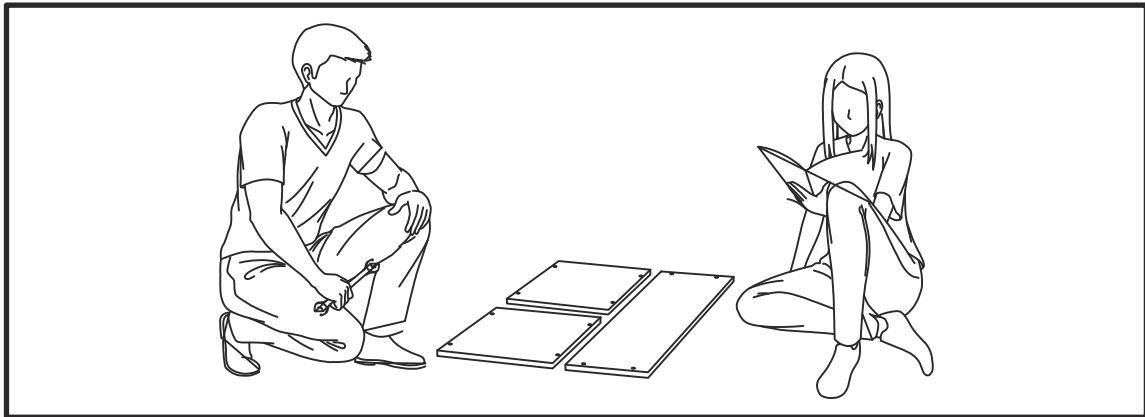




Assemble the furniture on an empty carton, carpet, or rug to prevent scratches or damage.

For safety, please keep pets and children away from the assembly area.

Ensure the product is fully assembled before use. If you are missing any hardware or products, do not use it until you have restored the missing parts.



This furniture requires 2 people for assembly.

Read this instruction manual prior to assembly to familiarize yourself with the various steps.

Lay out all components and hardware separately on a flat surface and make sure that no parts are missing or damaged before assembly. Do not destroy or discard any packaging until you are certain that you have all the necessary parts for assembly.

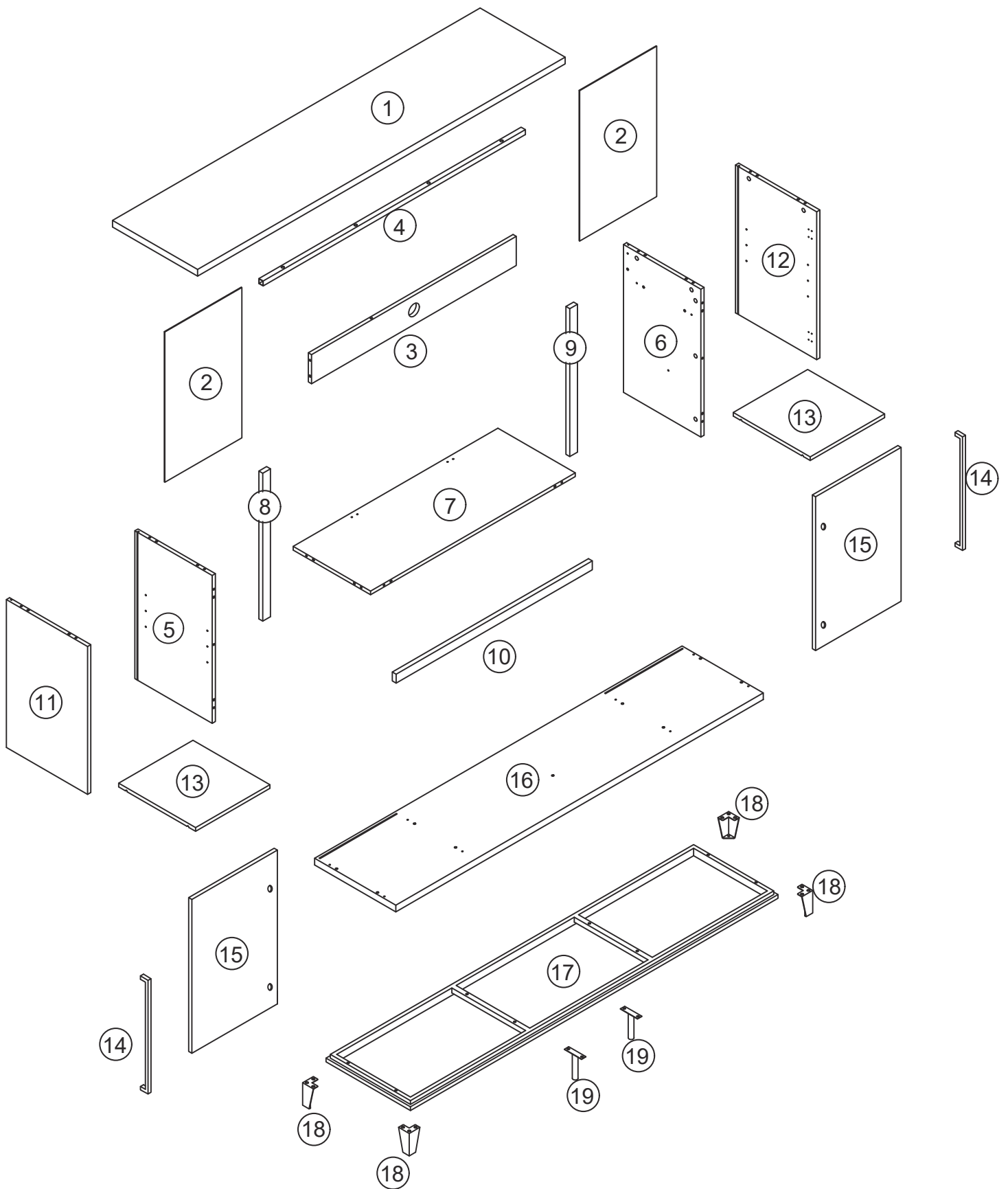
Hand tight all hardware and careful not to over tighten to avoid damaging the product.

CAUTION

There are small components used in the construction of this product. Loose items should be kept away from pets and children to avoid a choking hazard.

Keep all plastic bags and packaging film away from pets and children to avoid suffocation.

PACKAGE CONTENTS



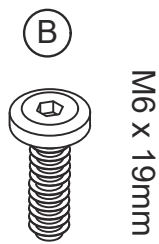
PACKAGE CONTENTS

CODE	DESCRIPTION	QTY
1	Top Panel	1
2	Side Back Panel	2
3	Center Back Panel	1
4	Top Crossbar	1
5	Left Medial Panel	1
6	Right Medial Panel	1
7	Center Panel	1
8	Left Surround Panel	1
9	Right Surround Panel	1
10	Top Surround Panel	1
11	Left Panel	1
12	Right Panel	1
13	Storage Shelf Panel	2
14	Door Handle	2
15	Cabinet Door	2
16	Bottom Panel	1
17	Base Frame	1
18	Corner Leg	4
19	Support Leg	2

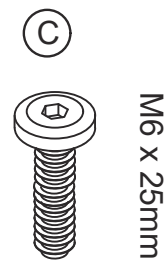
PACKAGE CONTENTS



16x + 1x



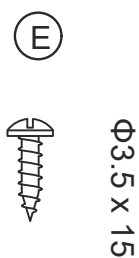
4x



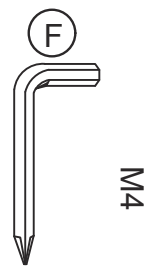
4x



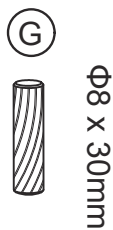
8x



3x



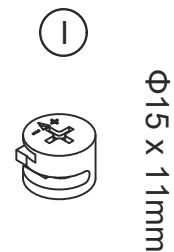
1x



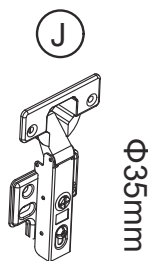
32x + 3x



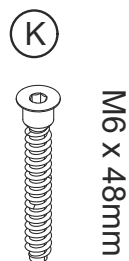
25x + 2x



25x + 2x



4x



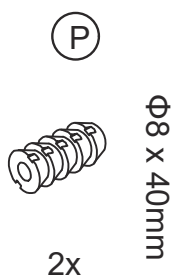
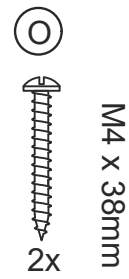
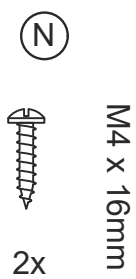
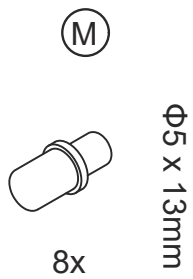
10x + 1x



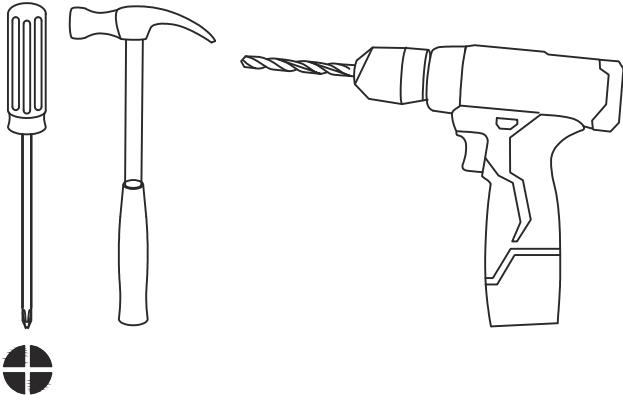
24x + 2x



Install all hardware perpendicular to the opening.



Required tools for assembly (Not included)



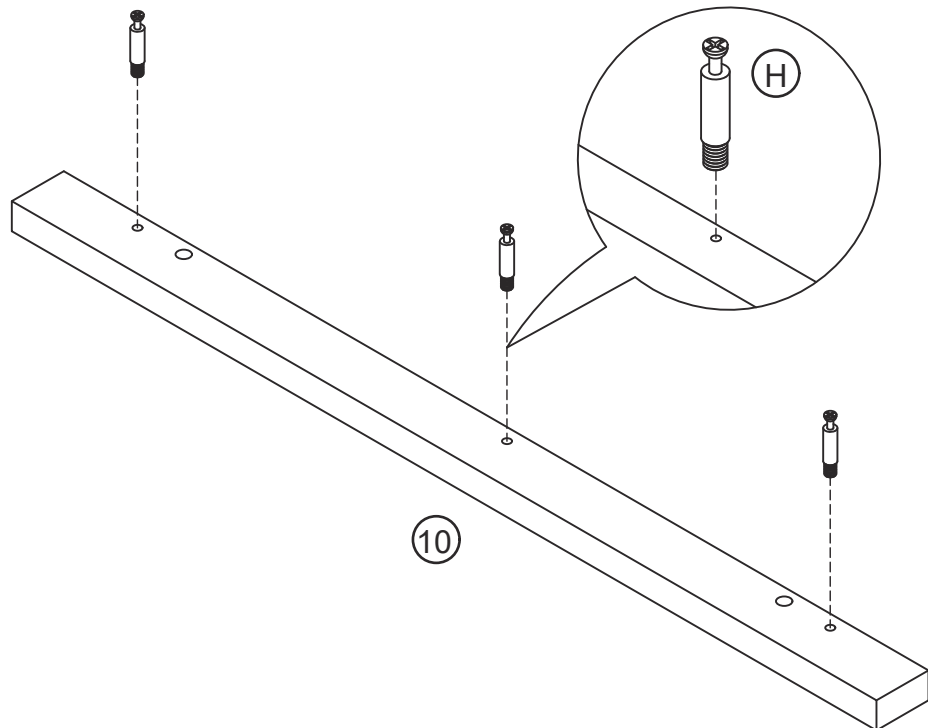
1

Attach cam bolts to the top surround panel (10).



M6 x 35mm

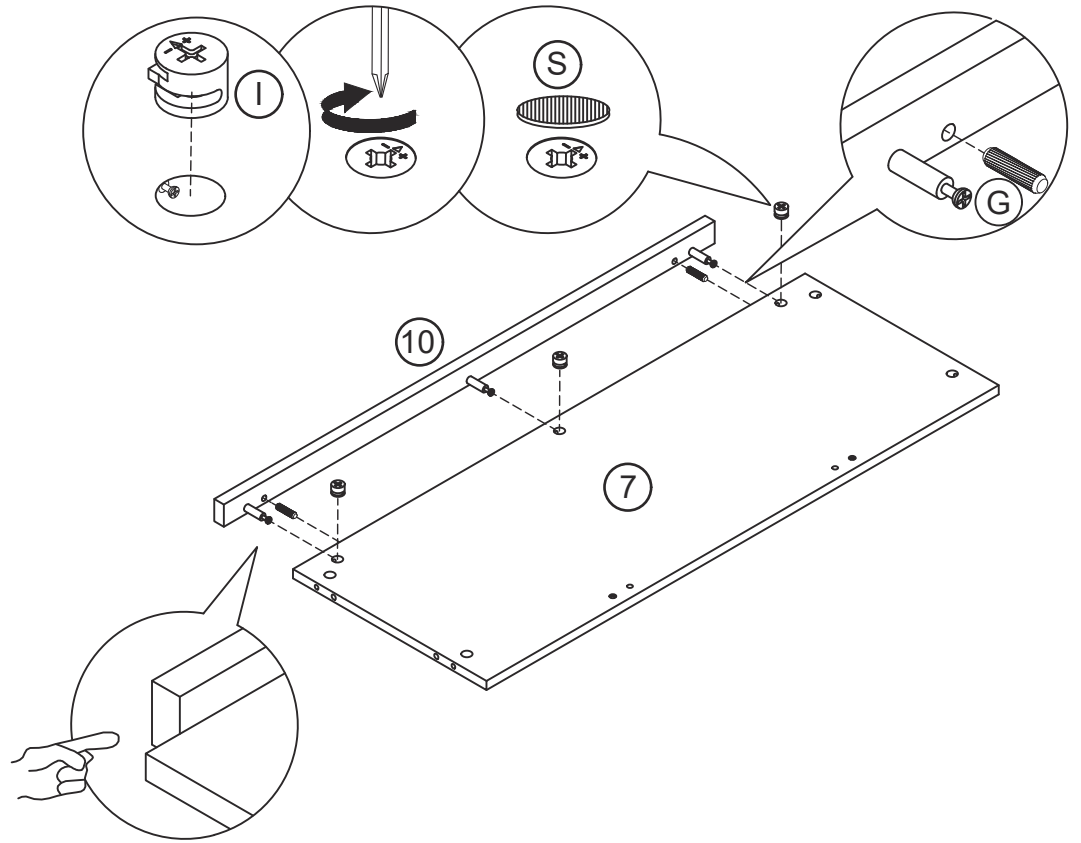
3x



2



Assemble top surround panel (10) to the center panel (7).

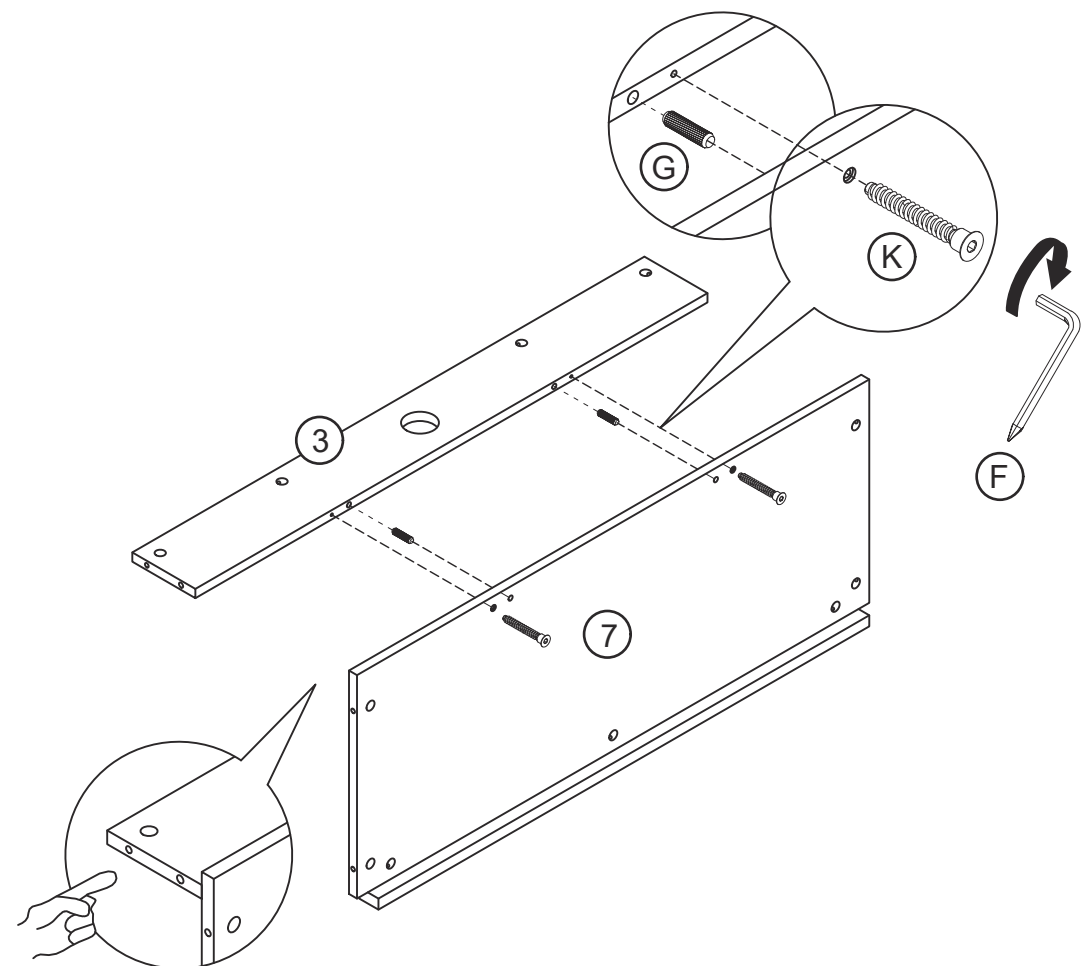
-  **G** 2x
-  **I** 3x
-  $\Phi 30$
S 3x



3

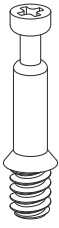
Assemble the center back panel (3) to the center panel (7).

-  **G** 2x
-  **K** 2x
M6 x 48

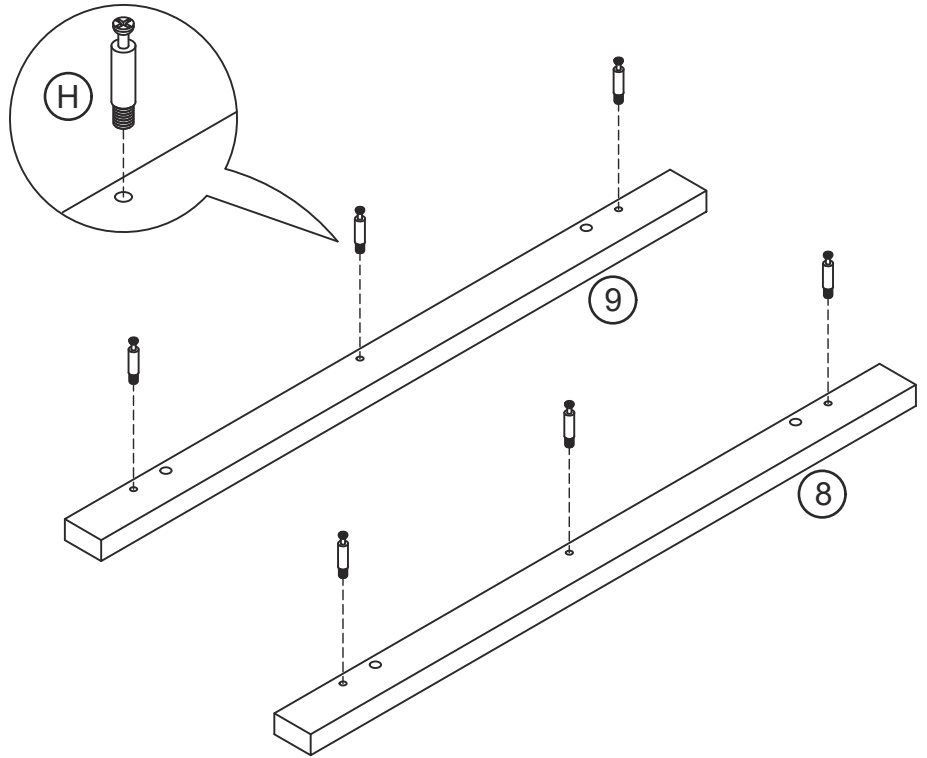


4

Attach cam bolts to the left and right surround panels (8, 9).

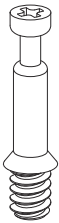


(H) 6x

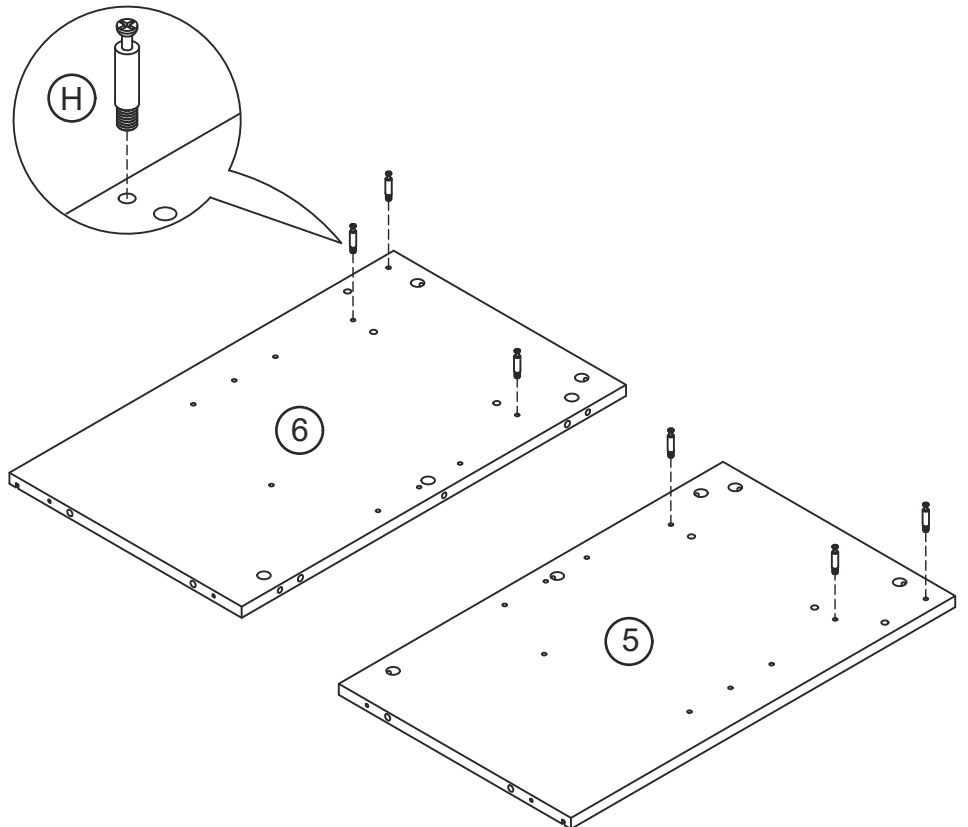


5

Attach cam bolts to the medial panels (5, 6).

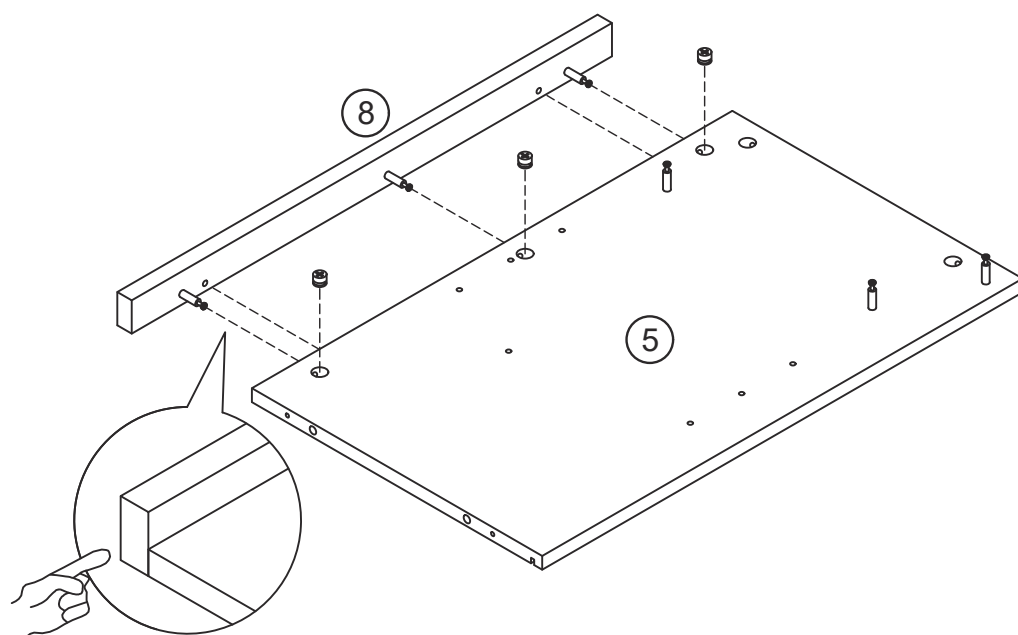
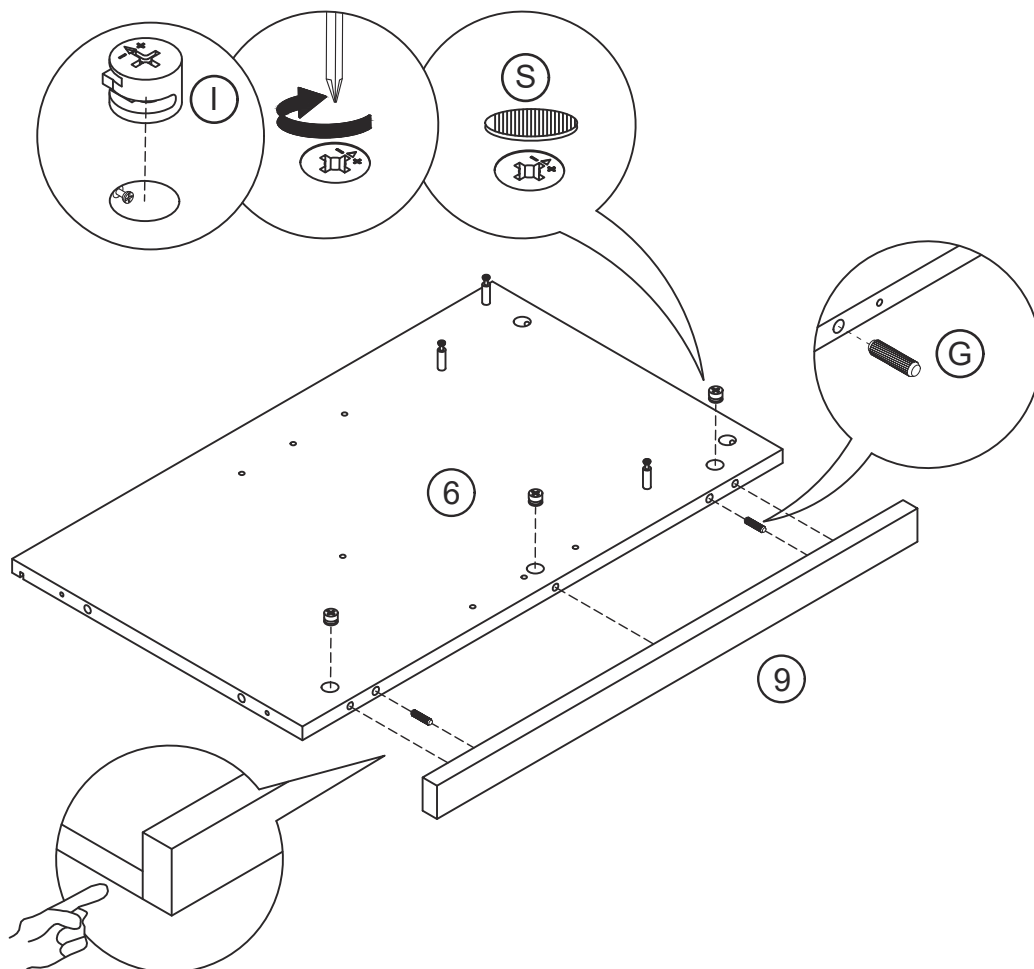
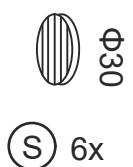
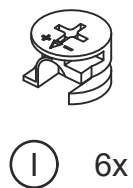


(H) 6x



6

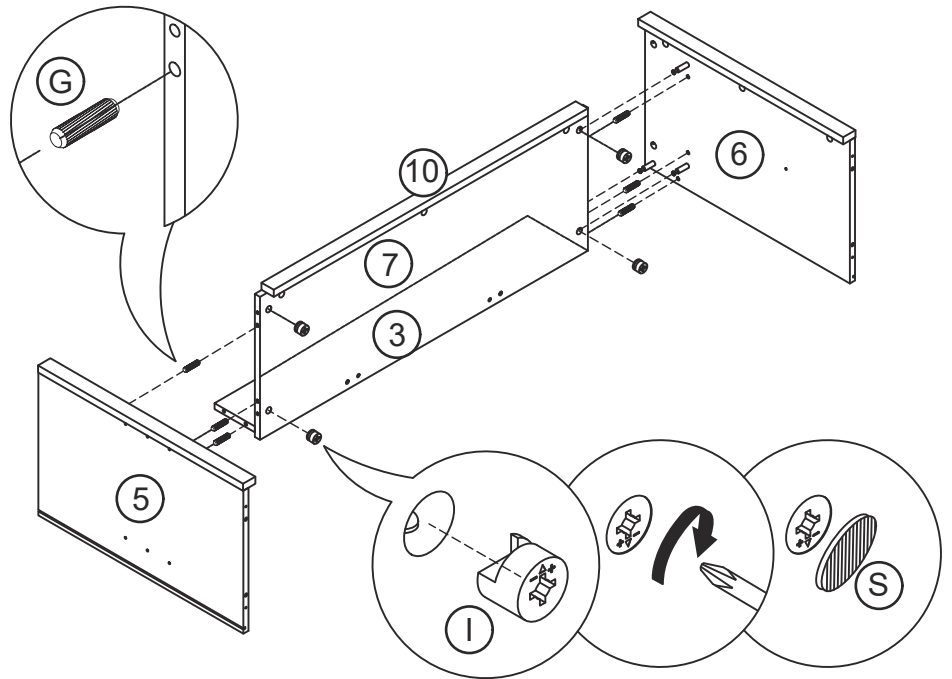
Assemble the left surround panel (8) to the left medial panel (5) and the right surround panel (9) to the right medial panel (6).



7




Assemble the center panel (7) and Center back panel (3) between the medial panels (5,6)

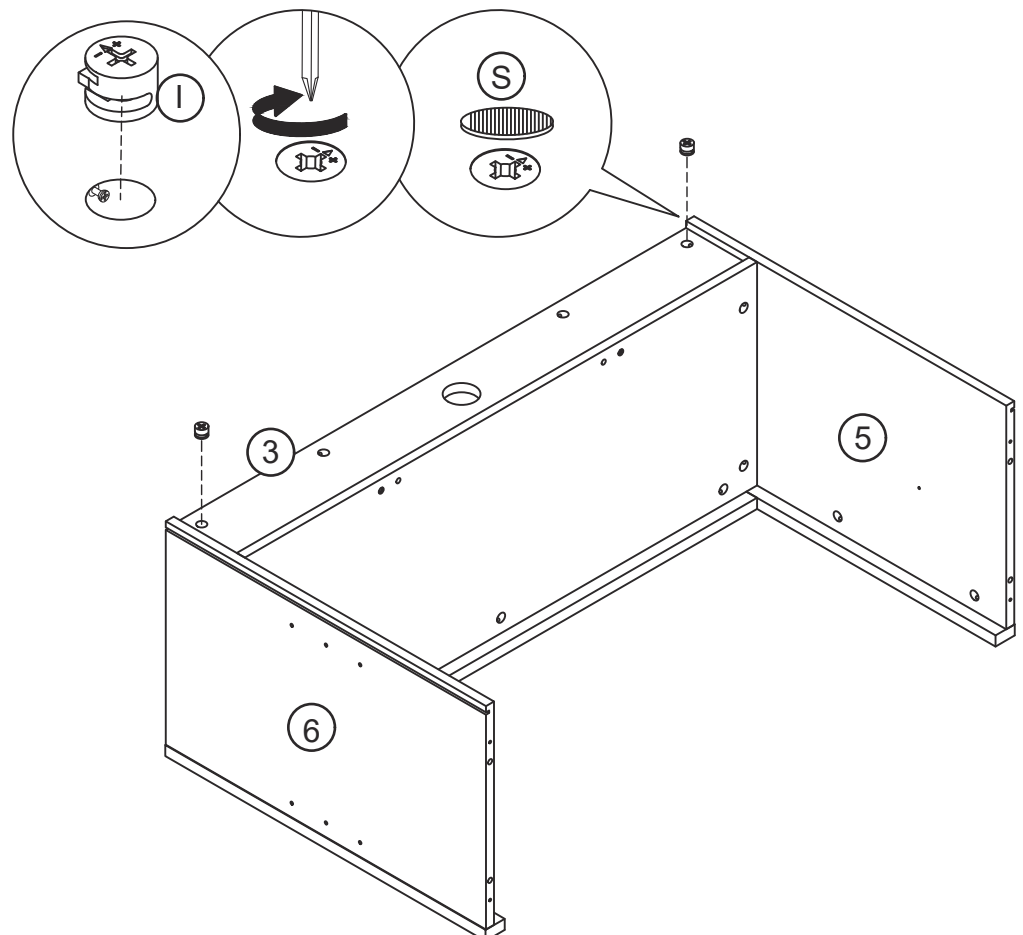
-  6x
-  4x
-  $\Phi 30$
-  4x



8

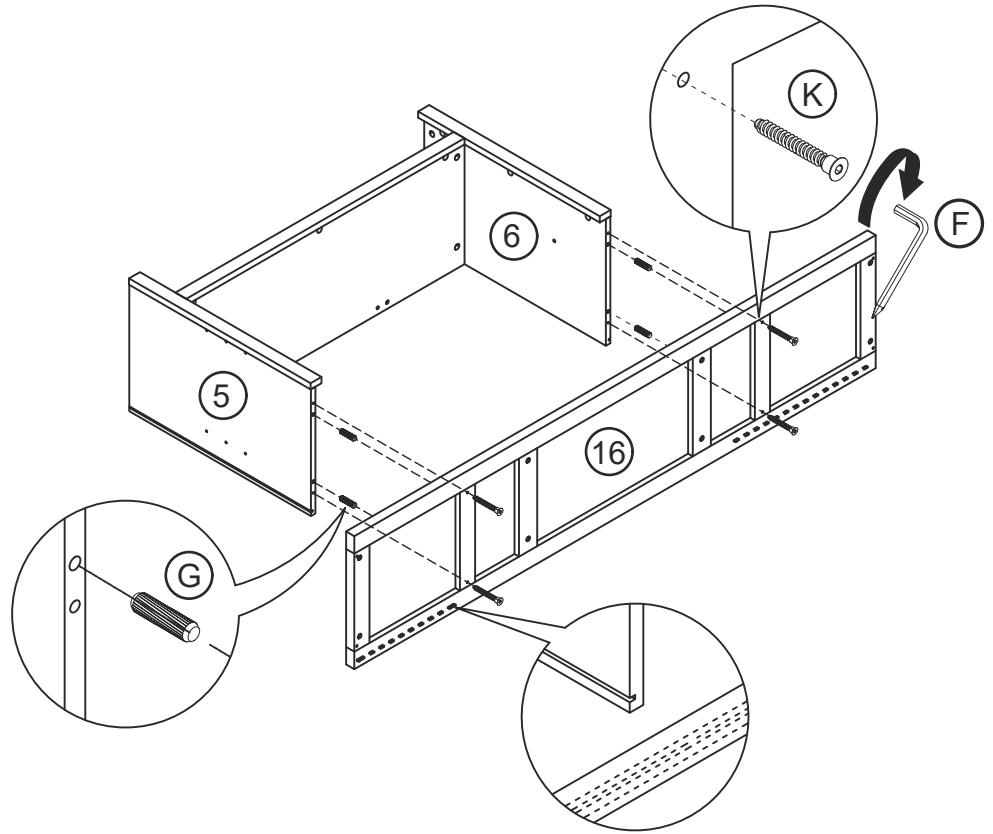
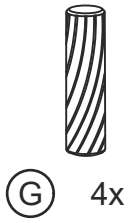
Further fixing the Center back plane (3)

-  2x
-  $\Phi 30$
-  2x



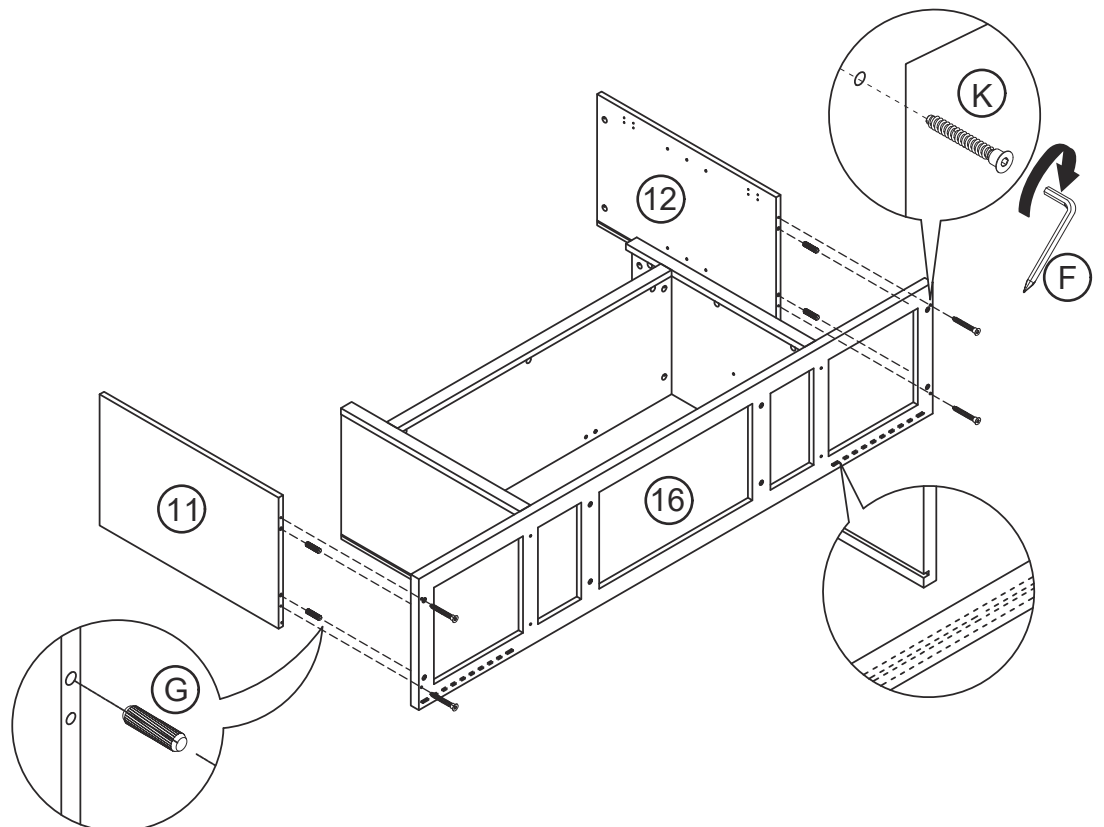
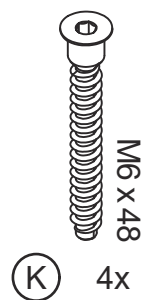
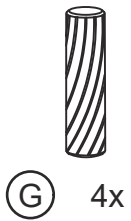
9

Assemble the medial panels (5, 6) on top of the bottom panel (16).



10

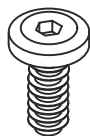
Assemble the left / right panels (11,12) on top of the bottom panel (16).



11

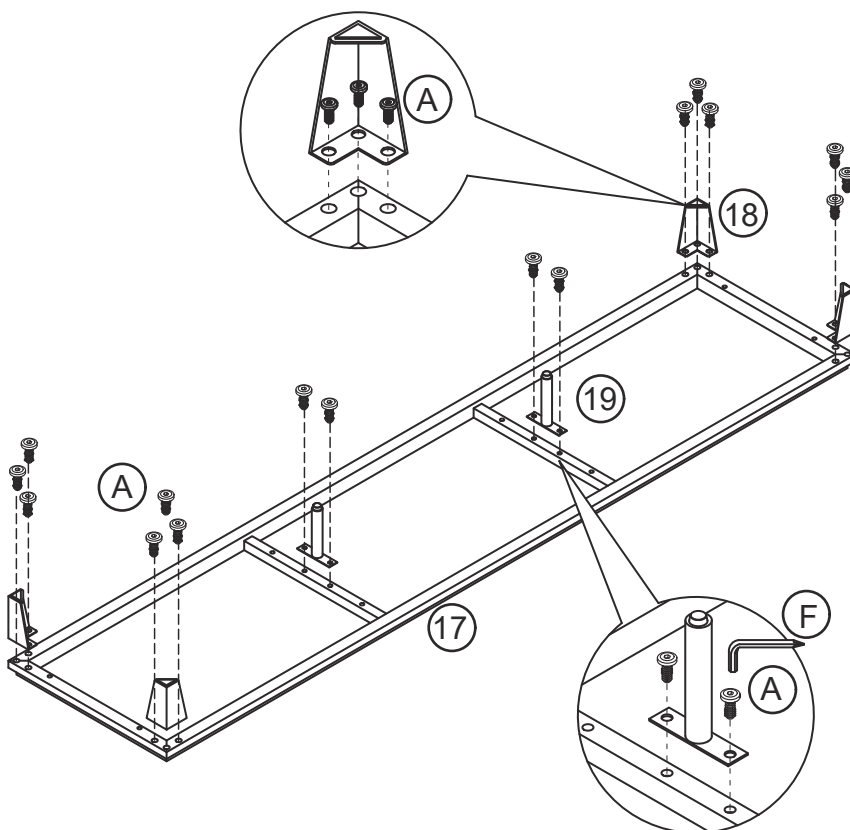
Attach corner legs (18) and support legs (19) to the base frame (17).

(A)



M6 x 12mm

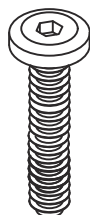
16x



12

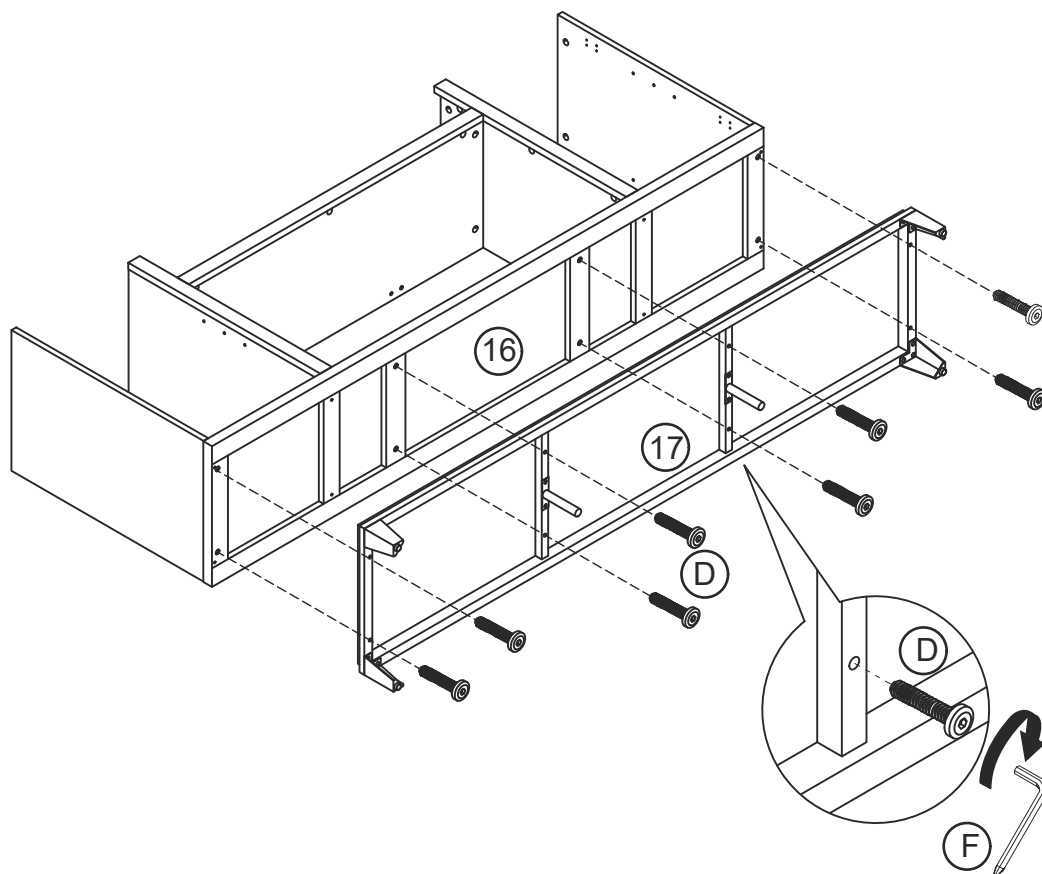
Assemble the base frame (17) to the bottom panel (16).

(D)



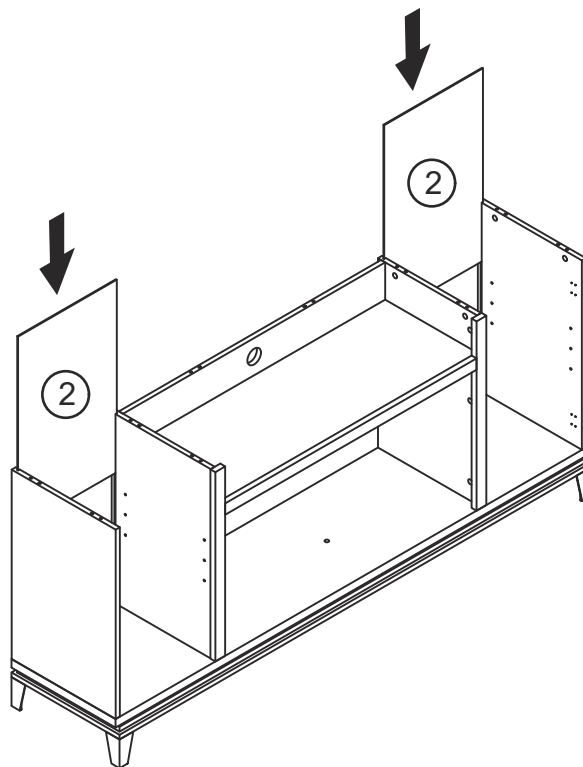
M6 x 38mm

8x



13

Slide side back panels (2) to the back of the stand.

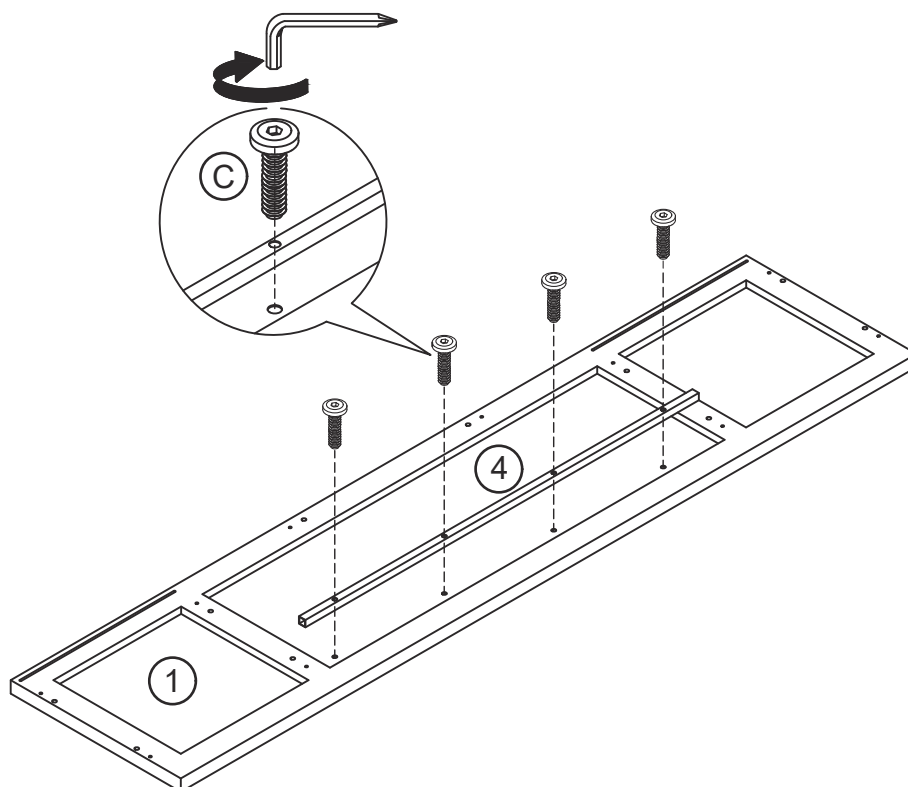


14

Attach top crossbar (4) to the underside of the top panel (1).



(C) 4x

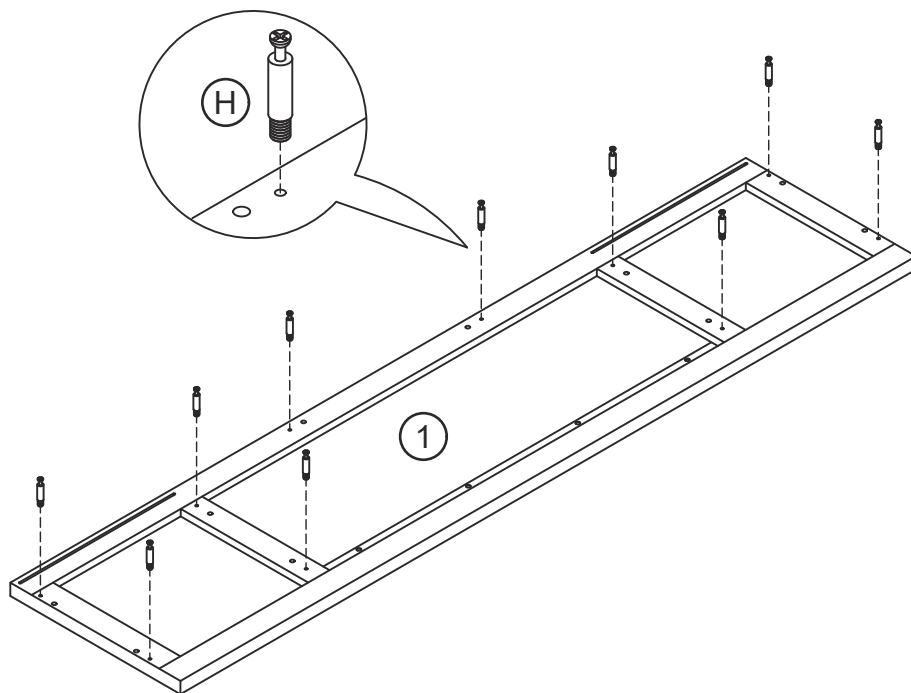


15

Attach cam bolts to the top panel (1).



(H) 10x



16

Assemble top panel (1) on top of the stand.



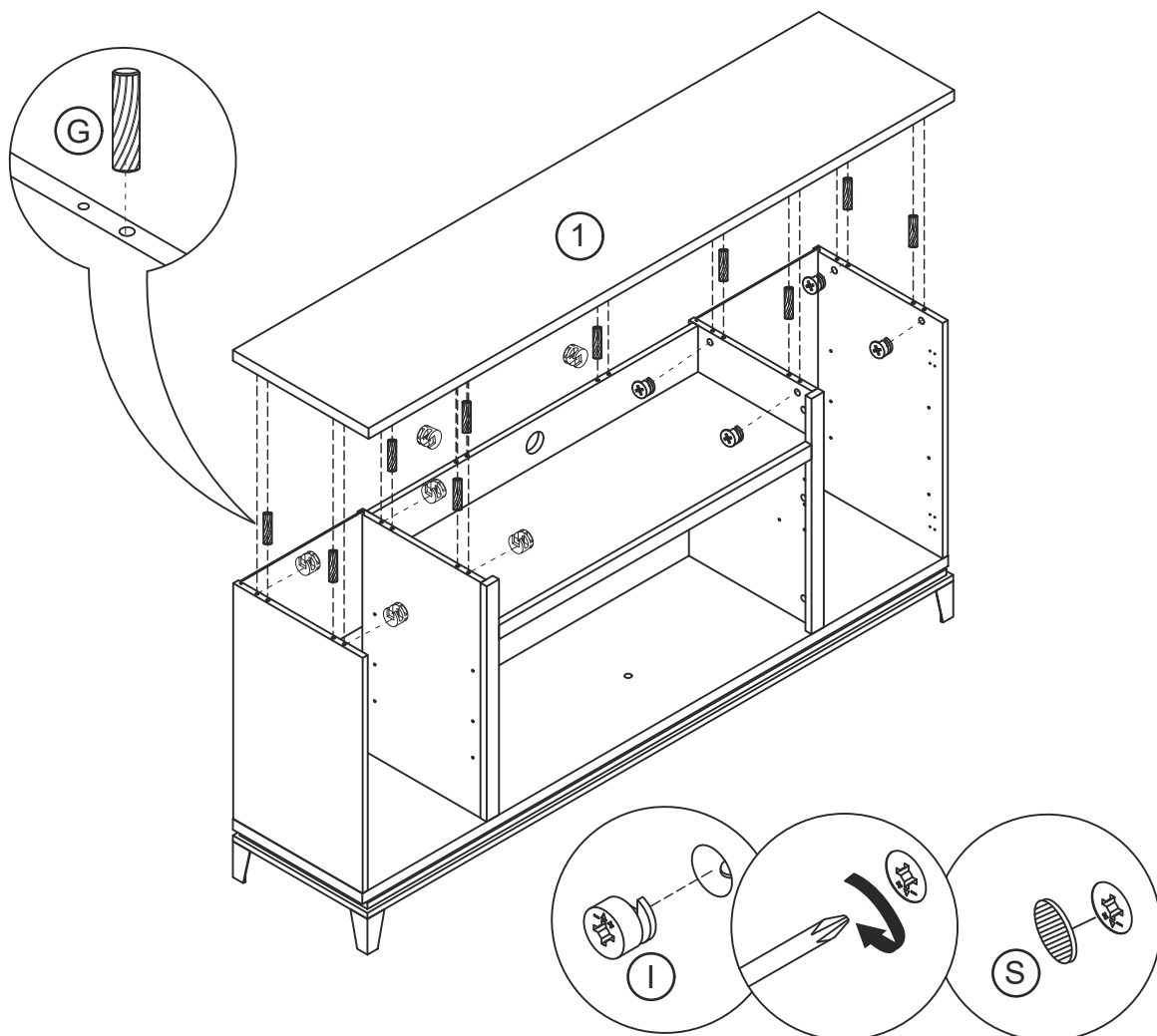
(G) 10x



(I) 8x



(S) 8x



17

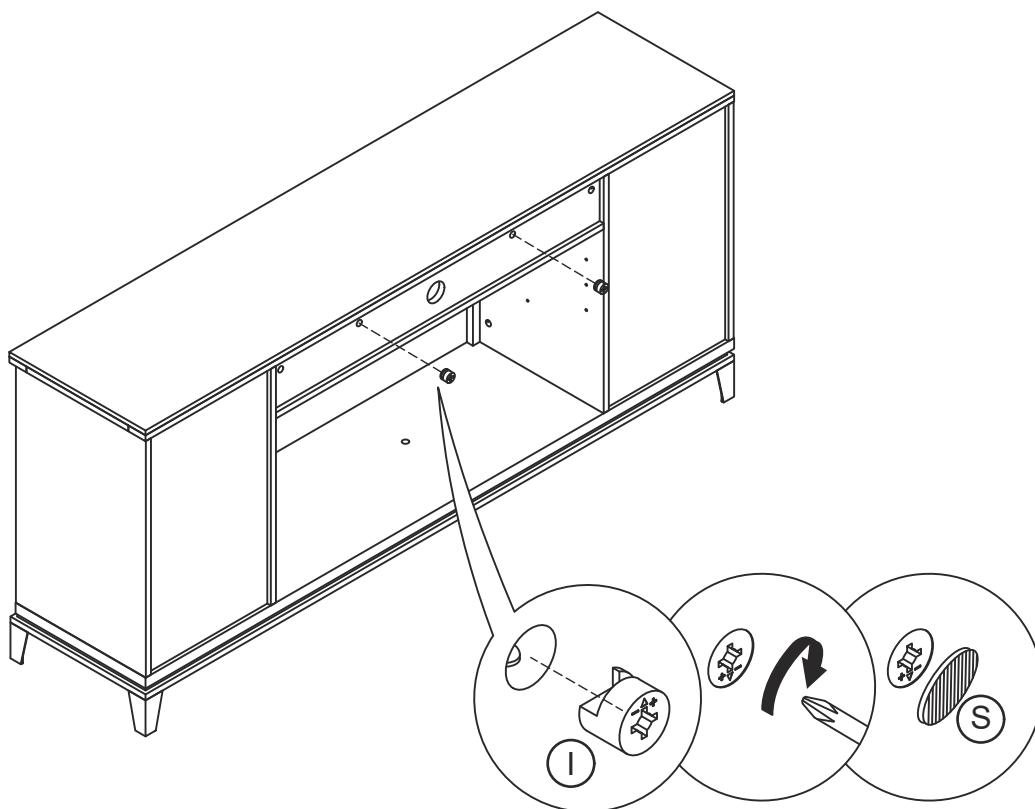
Further fixing the top plane (1)



(I) 2x



(S) 2x



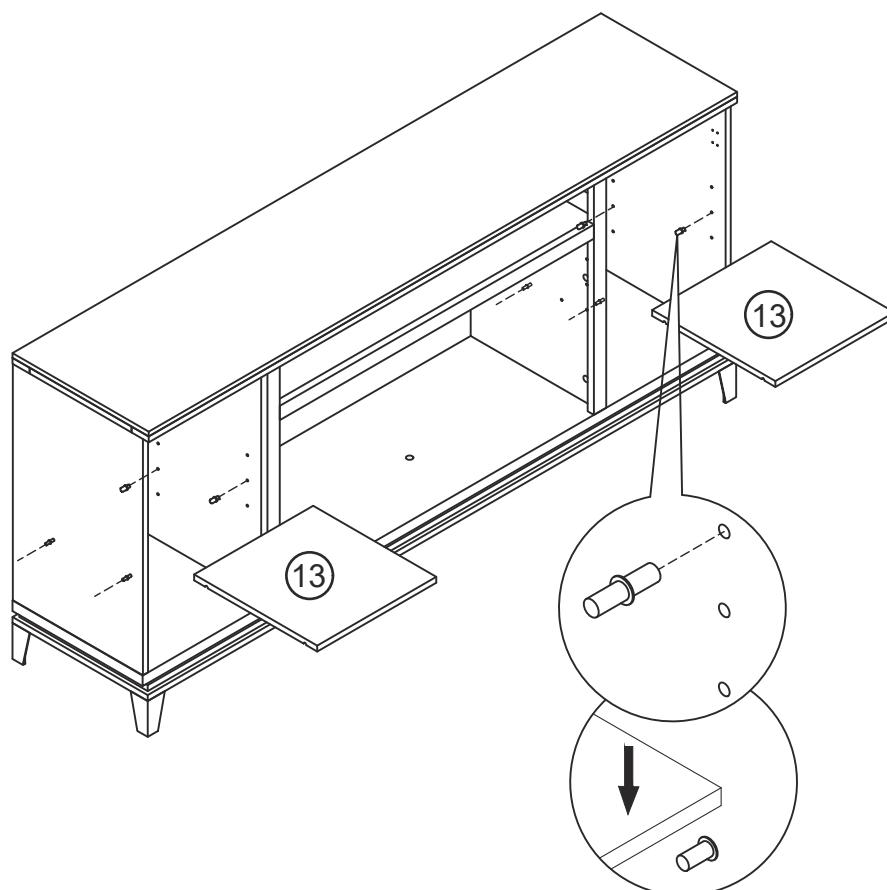
18

Insert shelf pegs to the stand and put on the storage shelf panels (13).

(M)

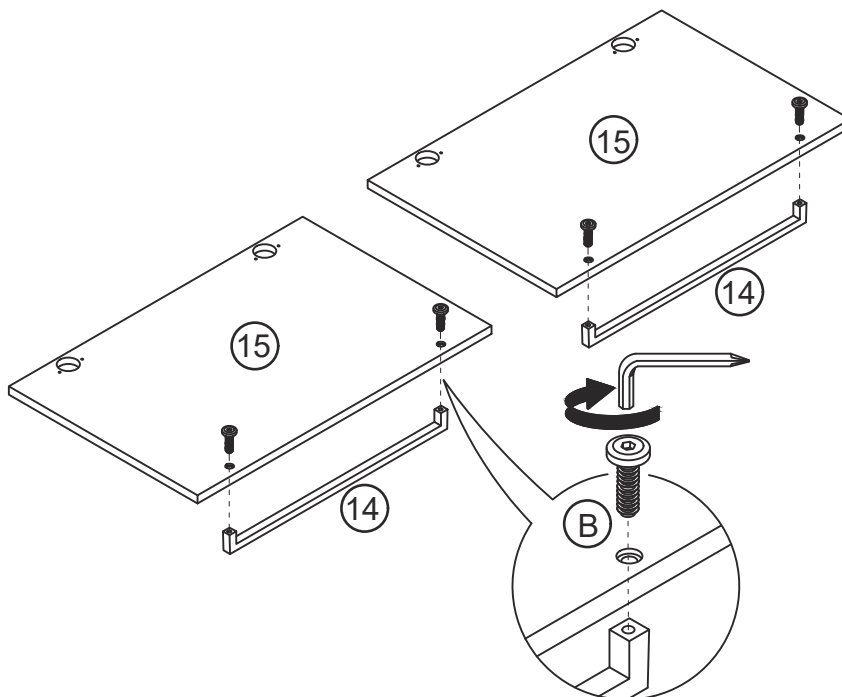


8x



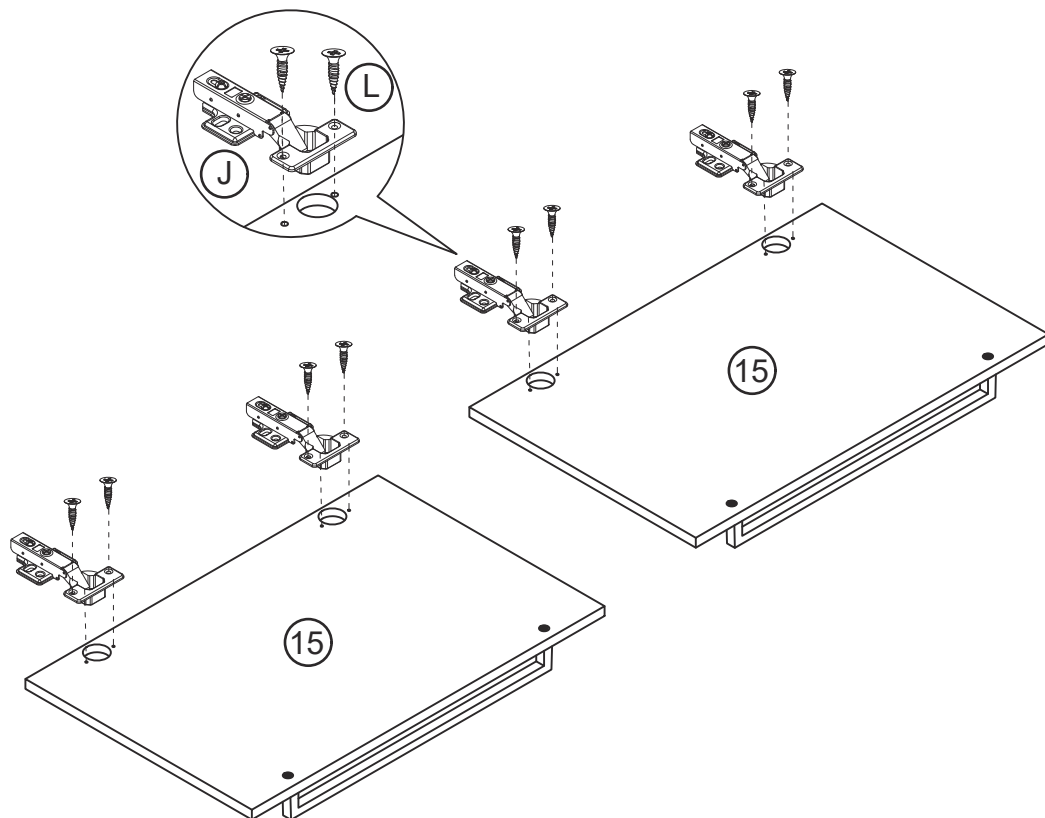
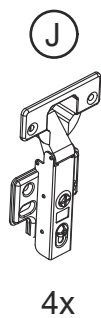
19

Attach door handles (14) to the cabinet doors (15).



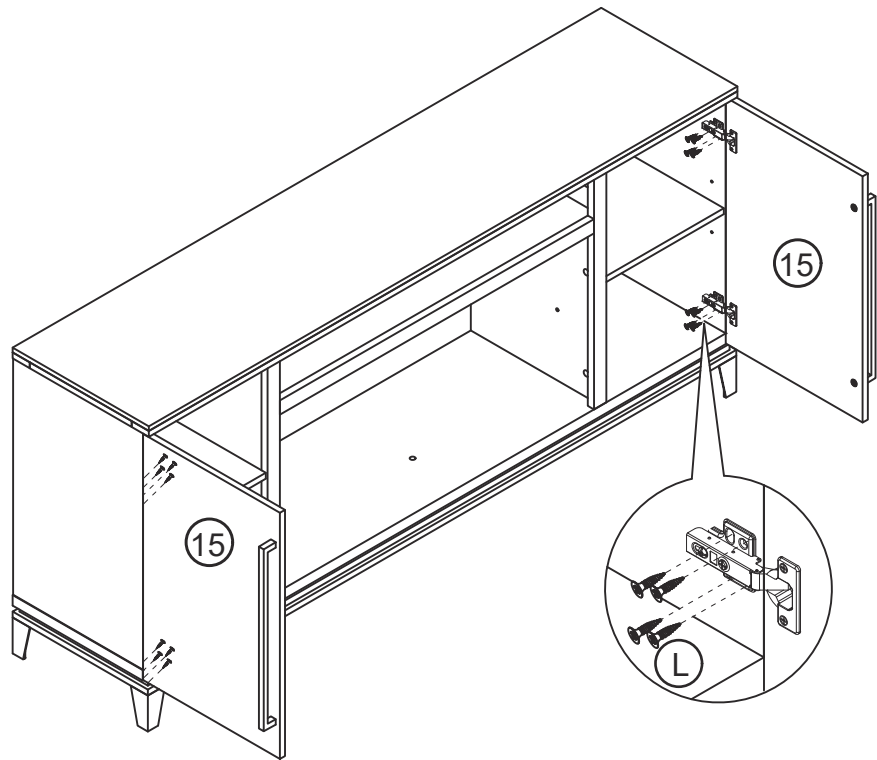
20

Attach door hinges to the cabinet doors (15).

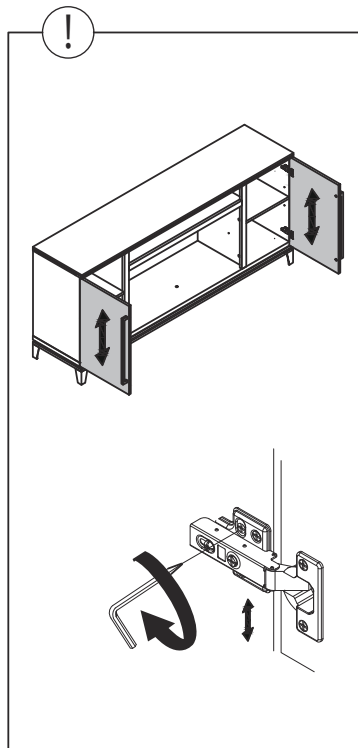


21

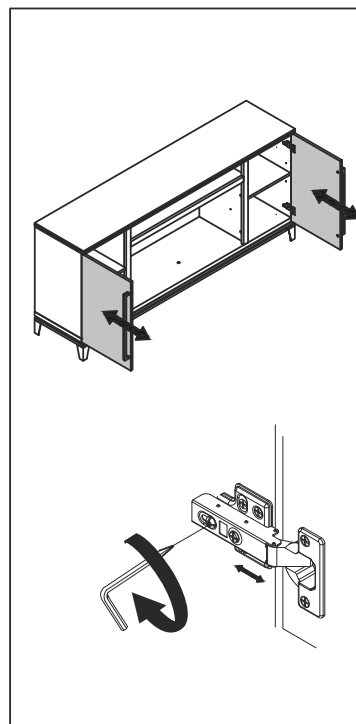
Attach cabinet doors (15) to the stand.



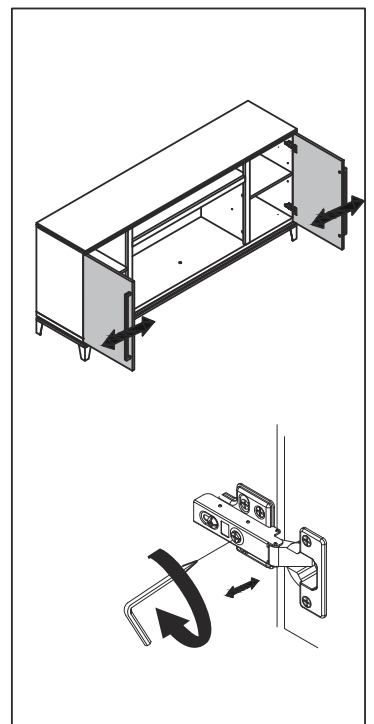
When the clearance of the door is uneven,
Adjust the cabinet door according to the figure,
If you still have trouble while adjusting the door. please contact us.



Up and down
adjustment by
loosening the screws
on the mounting
plate.



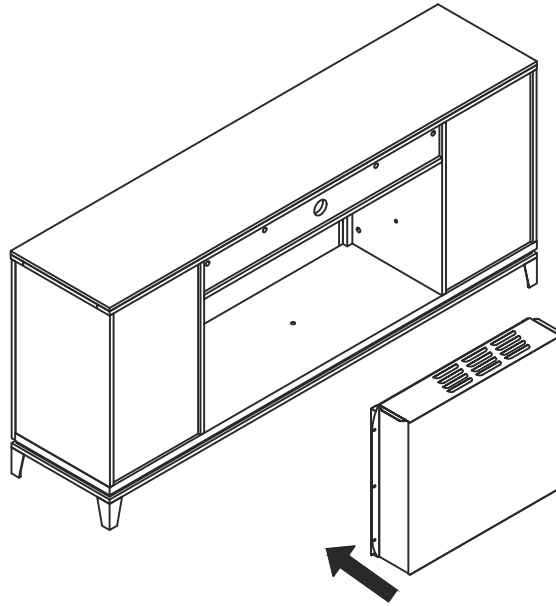
In and out
adjustment by
loosening the screws
on the hinge arm.



Side to side
adjustment using
the front adjustment
screw on the hinge.

22

Set the fireplace into the stand from the back. For the exact instruction, refer to the user's manual provided with the fireplace.



CAUTION: The heater has a glass front panel. Careful when handling glass to prevent injury or damage.

NOTE: Do not attempt to install the unit from the front of the fireplace mantel. It will not fit.

23

Secure the fireplace in place by installing L-shaped (R) bracket to the back of the fireplace.

(R)



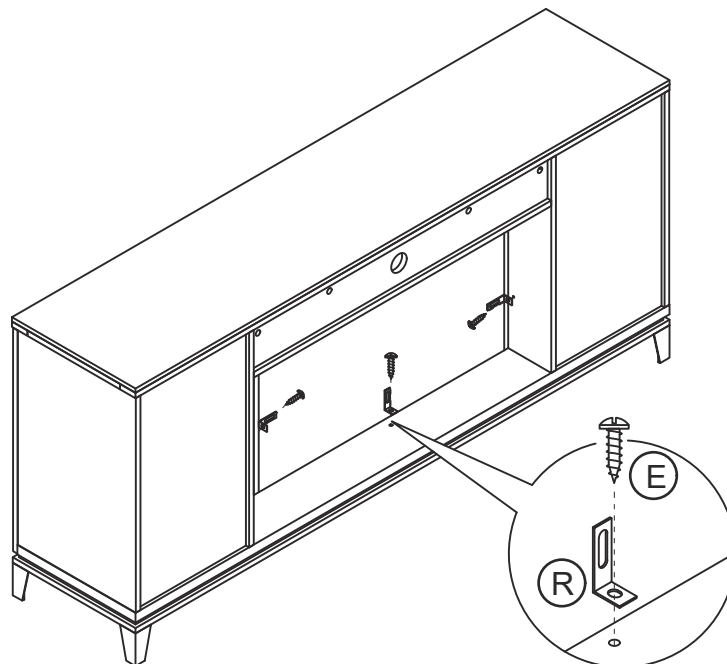
3x

(E)



Φ3.5x15

3x



24

Attach anti-tipping straps to the back of the stand.

(N)



M4 x 16mm

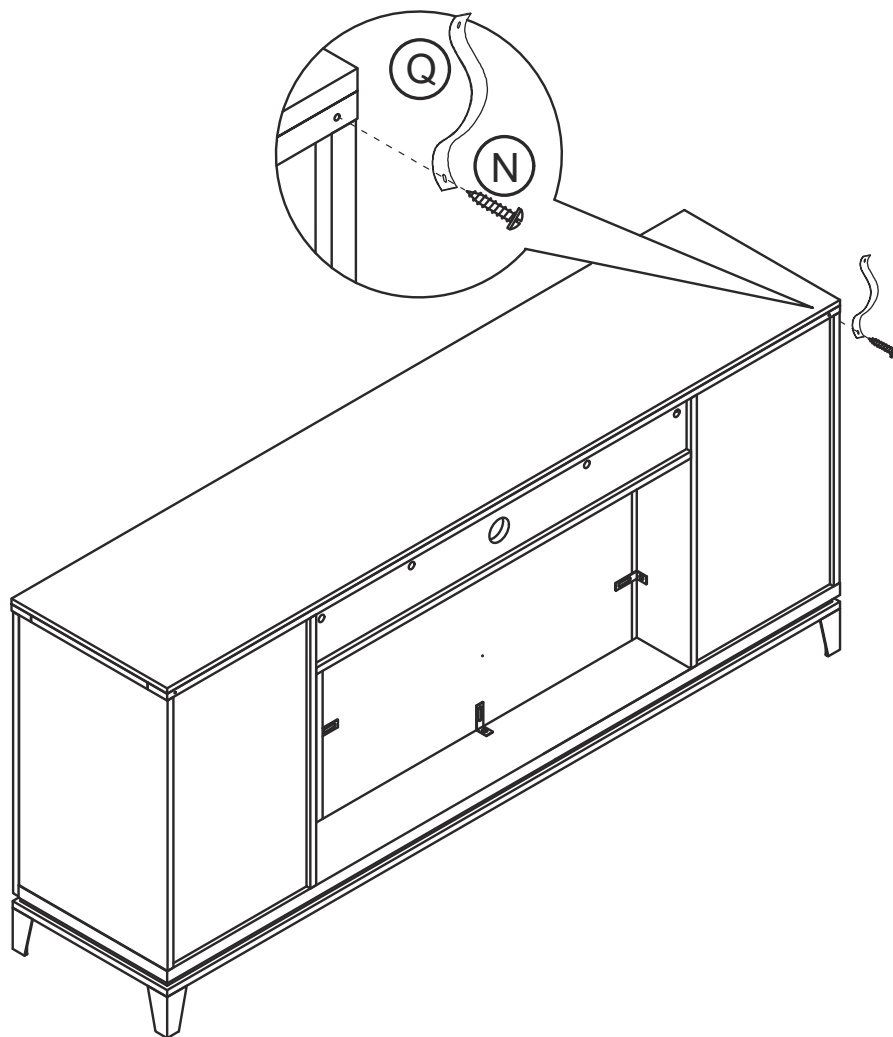
2x

(Q)



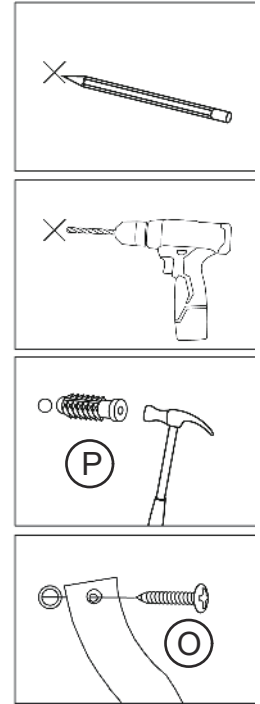
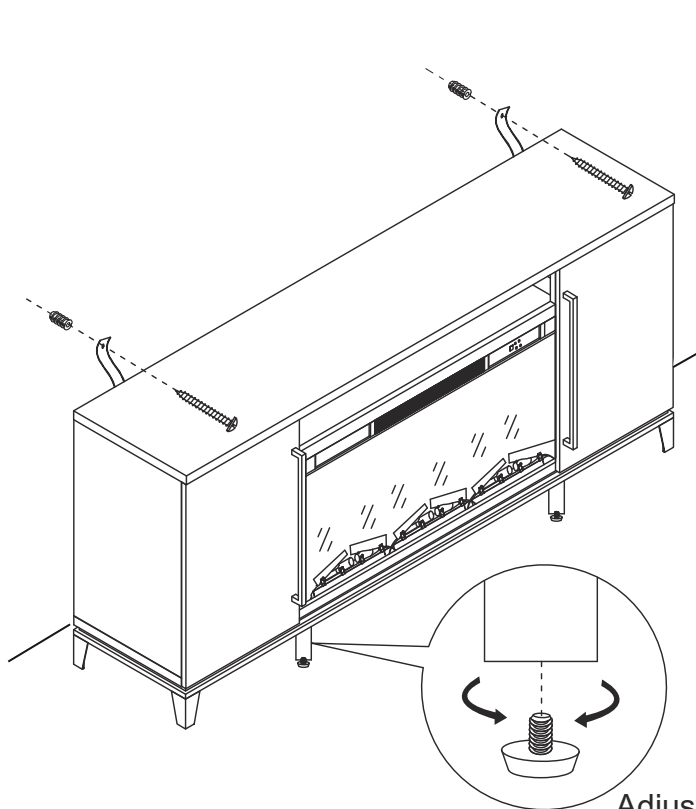
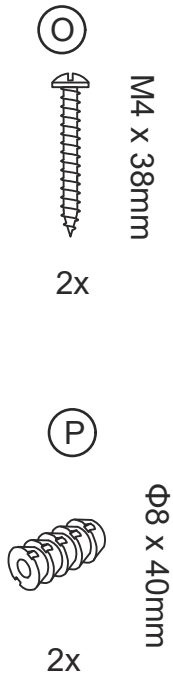
190 x 20mm

2x



25

Affix the stand to a wall.

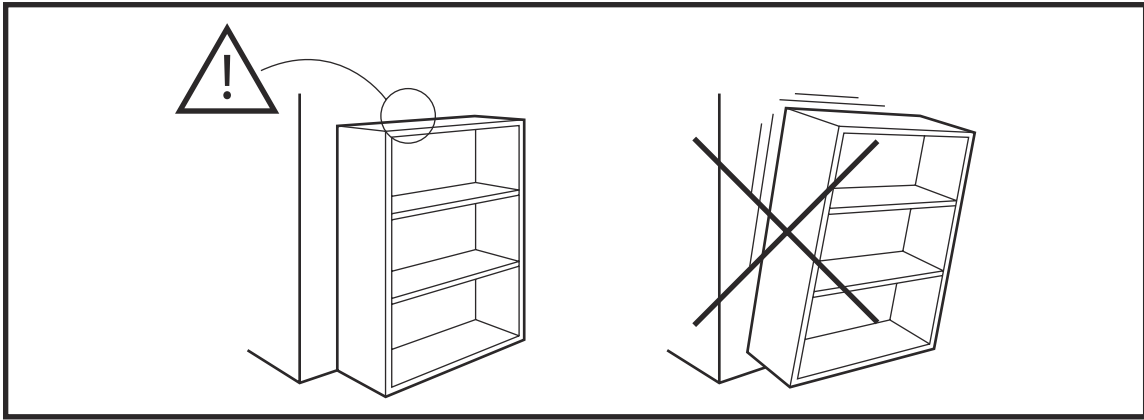


Adjust table foot pads,
Keeps stable even on uneven floors.

Furniture must permanently fixed to the wall stud with included anti-tipping device to prevent the furniture from tipping over.

- Mark the drill position on the wall with a pencil.
- Drill a small hole on the marked position.
- Insert a wall anchor into the drilled hole.
- Fixed the anti-tipping strap to the wall with provided screws.

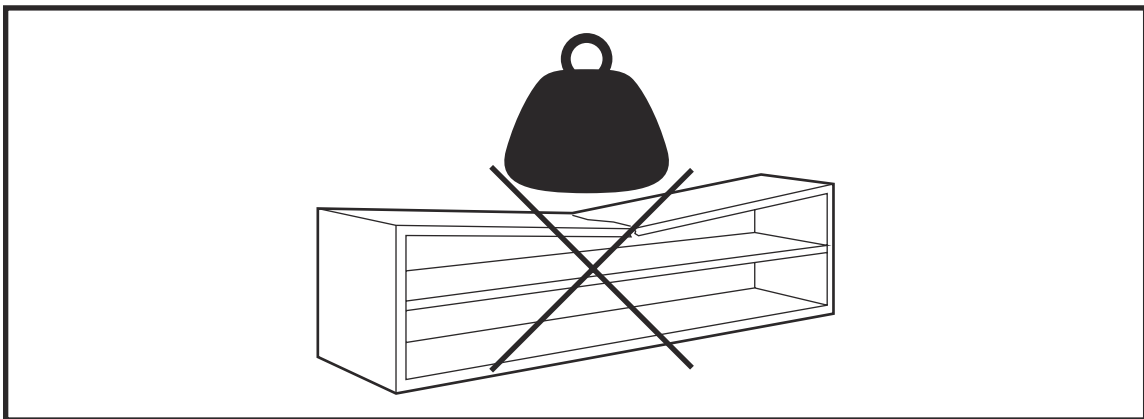
YOU'RE FINISHED!



Warning

Serious or fatal crushing injuries may occur if the furniture tip-over. Furniture must permanently affixed to the wall with included anti-tipping device in order to prevent the furniture from tipping over.

Different wall materials requires different types of wall anchors or screws. Use a suitable wall anchors or screws for your specific wall in order to secure the stability and load bearing capacity of the furniture. If you are uncertain about which type of device to use, please contact a hardware store.



Warning

Only place items on top of the product if they meet the recommended size and weight limits.

Climbing on, stepping on, or placing overweighted objects on the product may cause property damage and/or injuries.

Items placed onto this product must be resting on a support surface without hanging over the edges.

WARNING

For use with televisions weighing 70lbs (31.8kg) or less. Use with heavier televisions may result in instability, causing tip over resulting in death or serious injury.

Death or serious injury may occur when children climb on audio and/or video equipment furniture. A remote control or toys placed on the furnishing may encourage a child to climb on the furnishing and as a result the furnishing may tip over on to the child.

Relocating audio and/or video equipment to furniture not specifically designed to support audio and/or video equipment may result in death or serious injury due to the furnishing collapsing or over turning onto a child.

NOTICE

The recommended maximum width of the television is 75 inches. Do not exceed the maximum load capacity.

This product is designed for flat panel TVs only.

BELLEZE[®]

FURNITURE CARE AND MAINTENANCE

Medium - Density Fiberboard

Thank you for your purchase. We want your item to last as long as possible. To ensure the product gives you years of longevity, please follow the recommendations in this care and maintenance guide.



MAINTENANCE

- Tighten all bolts and screws again within the first 2 weeks of assembly.
- Check the tightness of all bolts every 2 months and tighten them if necessary.



CLEANING

- Clean the surface of the MDF (medium - density fiberboard) with a lightly dampened cloth.
- A small amount of mild soap can be used if necessary.
- Dry the surface immediately after cleaning.

⚠ DO NOT use bleach or alcohol to clean the surface.

⚠ DO NOT apply wood treatment on parts made with MDF.

MDF will swell and distort when exposed to water damage. Make sure to dry the furniture immediately after cleaning.

⚠ WARNING

Manufacturer and seller expressly disclaim any and all liability for personal injury, property damage or losses, whether direct, indirect, or incidental, resulting from the incorrect attachment, improper use, inadequate maintenance, unapproved modification or neglect of this product.

© All copyright of this document belongs to BELLEZE.
This document may not be printed, translated, reproduced, or distributed in whole or in part without written permission from BELLEZE.

WARRANTY

BELLEZE products come with a 1-year warranty from the date of delivery.
Register your product on our website to enjoy our limited lifetime warranty!



AFTER-SALE SERVICE



Encounter any difficulties or missing parts?



Contact us at **1-800-682-6376** or email us at **support@belleze.com**



We will send you replacement.



Hassle free!
No need to worry about repackaging and sending your item back.

We hope you enjoy your new BELLEZE furniture!
Share your photos on Instagram and tag us: @bellezefurniture.

FOLLOW US:



@bellezefurniture

CONTACT INFO:

support@belleze.com
1-800-682-6376

BELLEZE®