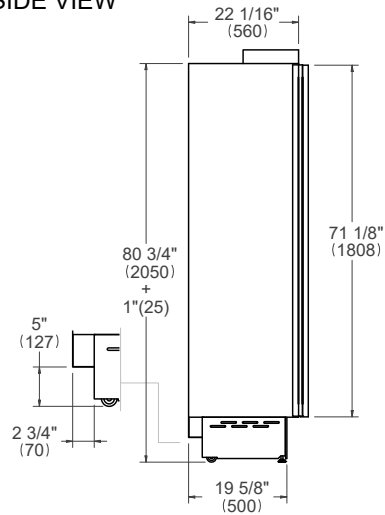
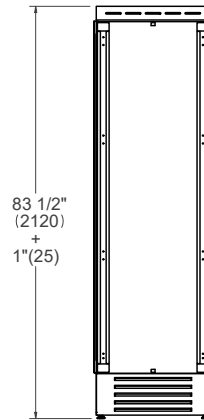


# PRODUCT DIMENSIONS

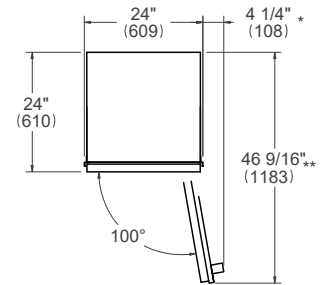
SIDE VIEW



FRONT VIEW



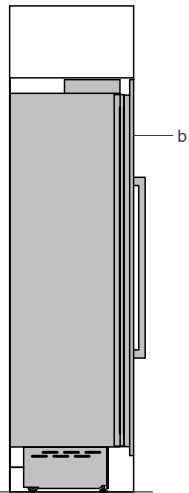
TOP VIEW



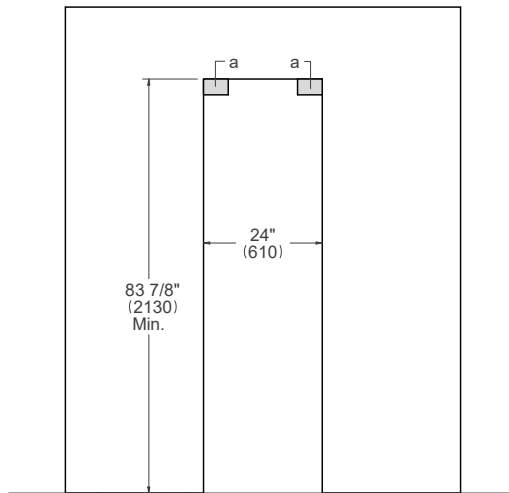
\* Maximum Overall Handle Dimension  
 \*\* Width of 3/4" (19mm) Door Panel

# CUTOUT DIMENSIONS

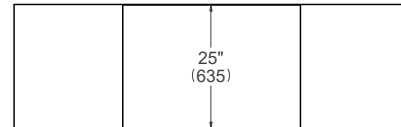
SIDE VIEW



FRONT VIEW

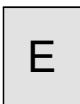


TOP VIEW



- (a) Area to be left clear for the anti-tipping brackets  
3 1/2x5" (82x127mm)
- (b) Panel dimensions available on Built-in Food Preservation Design Guide or Installation Manual

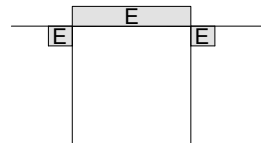
# ELECTRICAL CONNECTION



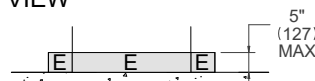
A properly-grounded, horizontally-mounted electrical receptacle should be installed according to this drawing.

Connection(s) placement within the opening may require additional cabinet depth.

TOP VIEW



FRONT VIEW



# INSTALLATION REQUIREMENTS

If the appliance(s) is not connected through the side profile trims to secured cabinetry anti-tip brackets must be installed.

A separate circuit breaker servicing only this appliance is recommended.  
 For installation of multiple products in combination, refer to the Built-in Food Preservation Design Guide.  
 Dimensions in parentheses are millimeters unless otherwise specified.

