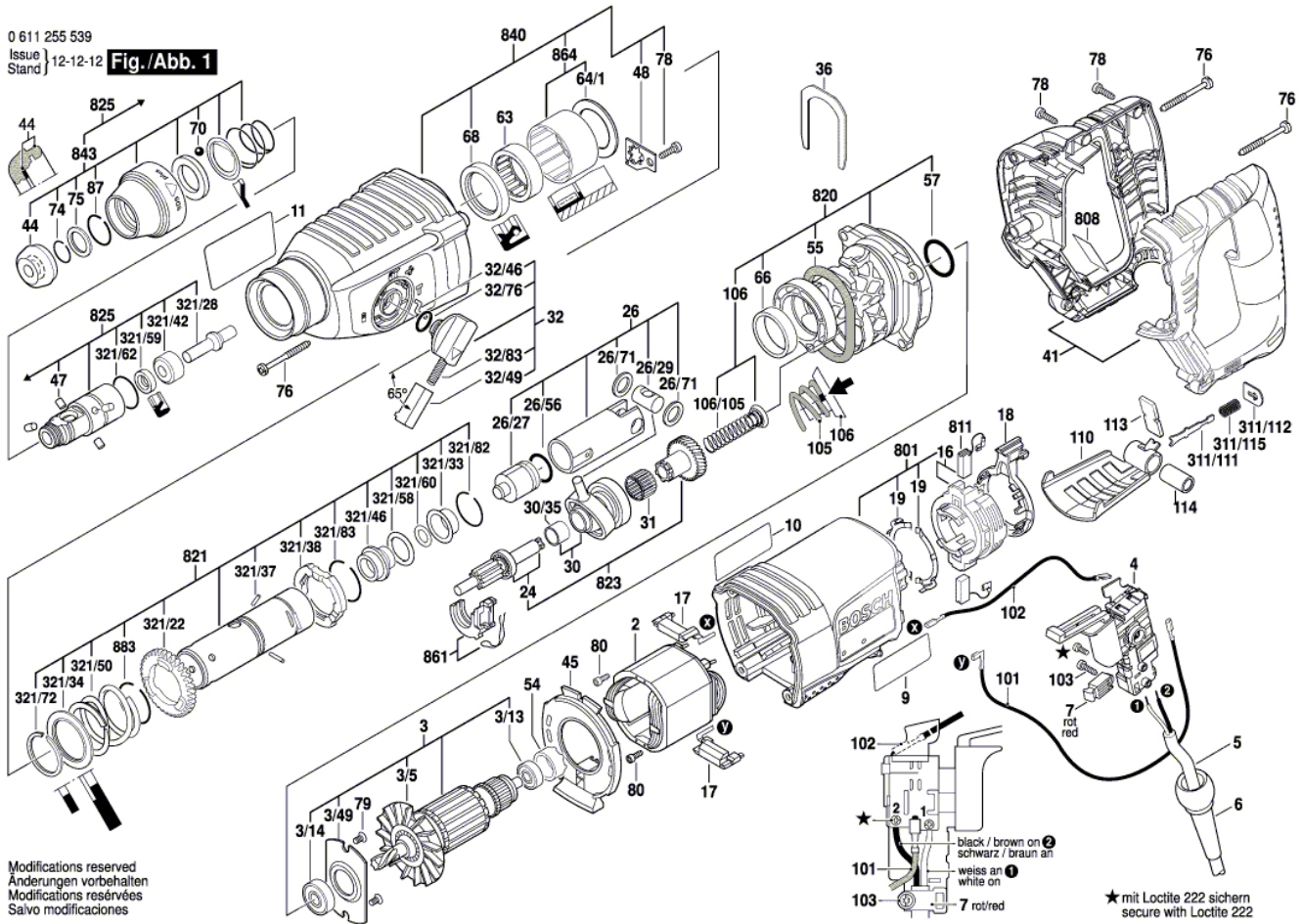


**BOSCH** PARTS AND SERVICE ONLINE

1800 W. Central Mount Prospect IL 60056

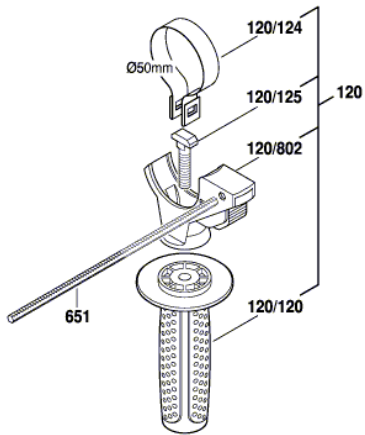
Tool Number: 0611255539

Model Number: 11255VSR





0 611 255 539

Issue }  
Stand } 12-12-12**Fig./Abb. 2**Modifications reserved  
Änderungen vorbehalten  
Modifications réservées  
Salvo modificaciones

**BOSCH** PARTS AND  
SERVICE ONLINE

1800 W. Central Mount Prospect IL 60056

Tool Number: 0611255539

Model Number: 11255VSR

Pos.	Part Number	Description	Pos.	Part Number	Description
2	1 614 220 177	Field	113	1 611 015 057	Stop Plate
3	1 614 010 234		114	1 610 301 006	Bushing
3/5	1 616 610 094	Fan	120	1 612 025 057	Auxiliary Handle
3/13	1 610 905 025	Deep-Groove Ball Bearing	120/120	1 612 025 058	Auxiliary Handle
3/14	1 610 905 048		120/124	1 611 316 021	Clamping Band
3/49	1 615 700 044	End Shield	120/125	1 613 490 002	T-Head Bolt
4	1 617 200 529	On-Off Switch	120/802	1 617 000 475	index turning toolholder
5	2 604 460 239	Power supply cord	311/111	1 611 016 004	Tapet
6	1 600 703 034	Grommet	311/112	1 611 010 008	Pressure Plate
7	1 601 035 008	Cable Clip	311/115	1 614 643 017	Compression Spring
9	1 611 110 Y39	Manufacturer's nameplate	321/22	1 616 312 004	Cylindrical Gear
10	1 611 110 Y40	Manufacturer's nameplate	321/28	1 613 124 081	Striker Pin
11	1 611 110 Y43	Warning Plate	321/33	1 610 590 014	Holding Jacket
16	1 614 336 064	Brush Plate	321/34	1 610 190 049	Supporting Disc
17	1 614 465 012	Adapter module	321/37	1 613 100 019	Straight Pin
18	1 610 290 183	Clutch Sleeve	321/38	1 610 190 065	
19	1 611 329 024	Switch Contact	321/42	1 610 102 073	Thrust Ring
24	1 617 000 556	Toothed Shaft	321/46	1 610 390 051	Guide Bushing
26	1 617 000 557	Hammer Piston	321/50	1 614 611 020	Compression Spring
26/27	1 610 311 018	Striker	321/58	1 610 210 178	O-Ring
26/29	1 613 105 012	Piston Pin	321/59	1 610 283 035	Rotary shaft lip seal
26/56	1 610 210 187	O-Ring	321/60	1 610 210 176	O-Ring
26/71	1 610 101 011	Shim Ring	321/62	1 610 210 179	O-Ring
30	1 615 819 028	Drive End Shield	321/72	1 604 601 027	Retaining ring
30/35	1 610 202 024	Plain bearing	321/82	1 614 601 034	Retaining ring
31	1 610 913 016	Needle-Roller Assembly	321/83	1 604 601 028	Retaining ring
32	1 612 026 037	Clamp Handle	651	1 613 001 009	Depth-Gauge
32/46	1 614 690 002	Driver Pin	801	1 617 000 470	Motor Housing
32/49	1 612 026 035	Switch Button	808	1 601 106 035	
32/76	1 610 210 046	O-Ring	811	1 617 000 525	Carbon-Brush Set
32/83	1 614 611 006	Compression Spring	820	1 617 000 6DX	
36	1 611 016 003	Holding Plate	821	1 617 000 564	Pipe
41	1 615 132 113	Handle Cover	823	1 617 000 579	Toothed Shaft
44	1 610 508 047	Protective Cap	825	1 617 000 598	Tool Holding Fixture
45	1 610 522 013	Air-Deflector Ring	840	1 617 000 581	Gear Housing
47	1 613 100 030	Needle Roller	843	1 617 000 582	Protection Sleeve
48	1 611 098 008	Tab Washer	861	1 615 820 097	Switching Element
54	1 600 502 023	Intermediate Ring	864	1 617 000 A07	
55	1 610 290 226	Seal ring	883	1 604 601 028	Retaining ring
57	1 610 210 068	O-Ring			
63	1 610 910 063	Needle bearing			
64/1	1 610 190 060				
66	1 610 202 021	Plain bearing			
68	1 610 283 036	Rotary shaft lip seal			
70	1 903 230 013	Ball			
74	1 614 601 027	Retaining ring			
75	1 610 101 629	Retaining Washer			
76	1 613 435 022	Thread-forming tap. Screw			
78	2 603 490 022	Torx Oval-Head Screw			
79	1 613 435 023	Thread-forming tap. Screw			
80	1 613 435 043				
87	2 916 540 012	Retaining ring			
101	1 614 449 018	Connecting Cable			
102	1 614 449 019	Connecting Cable			
103	2 603 490 017	Torx Oval-Head Screw			
106	1 614 611 022	Plain bearing			
106/105	1 614 611 021	Compression Spring			
110	1 615 510 007	Strap			