



GLF 18V-8 Professional

Robert Bosch Power Tools GmbH
70538 Stuttgart
GERMANY

www.bosch-pt.com

1 609 92A 91T (2024.05) 0 / 76



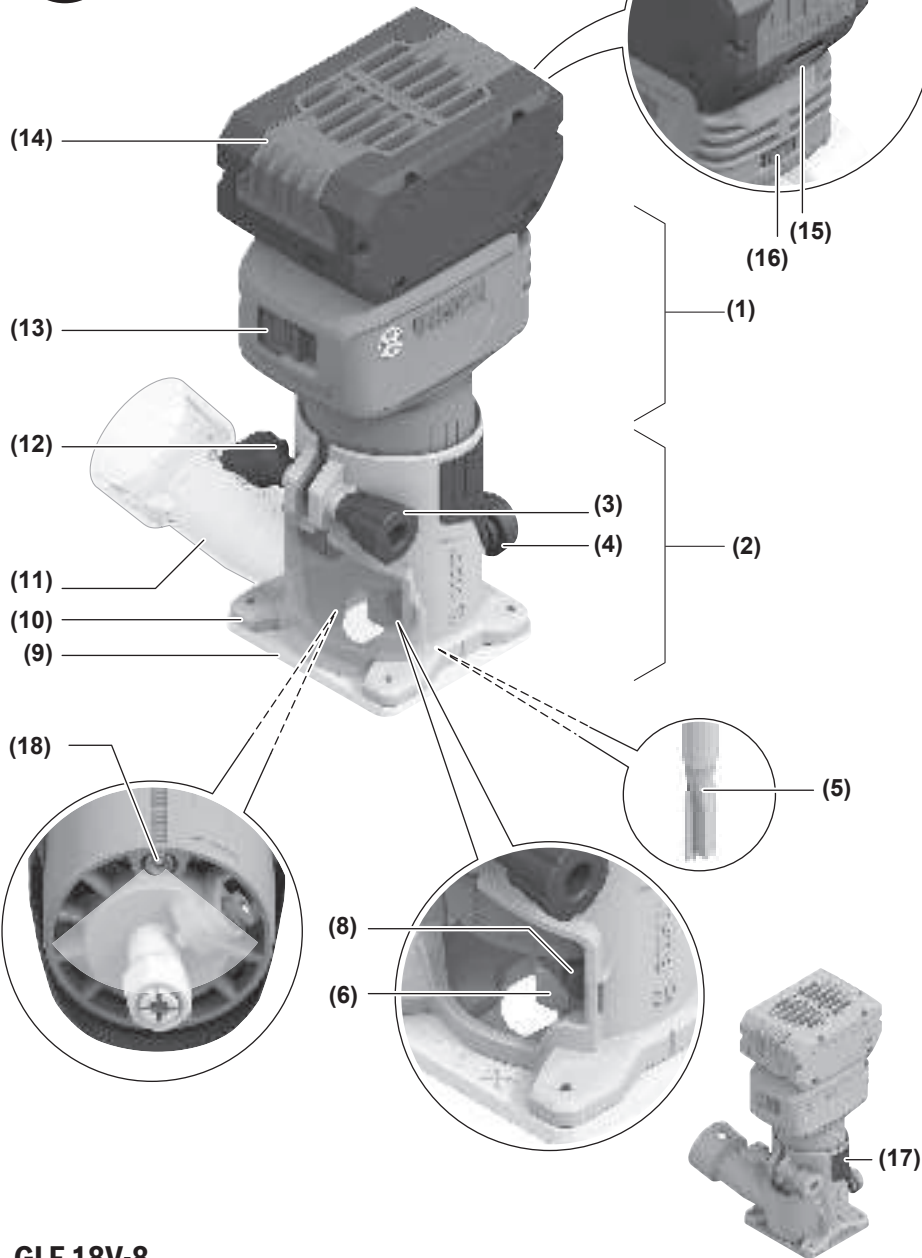
1 609 92A 91T

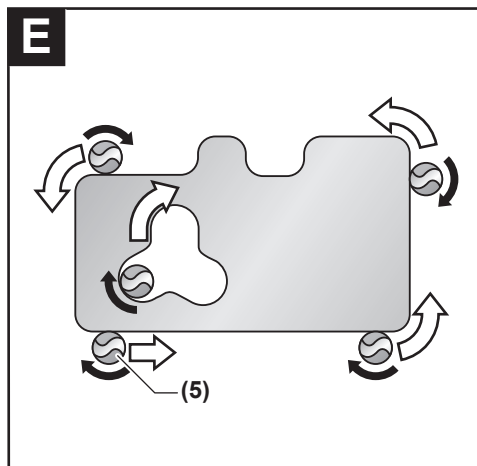
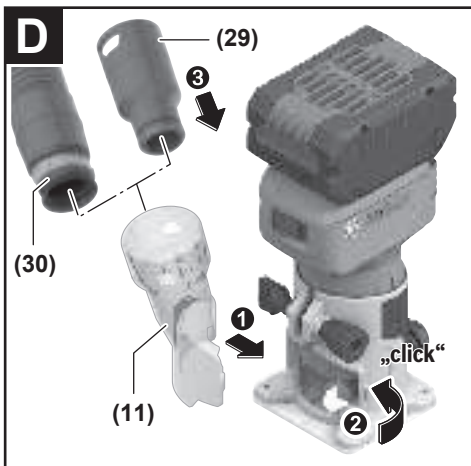
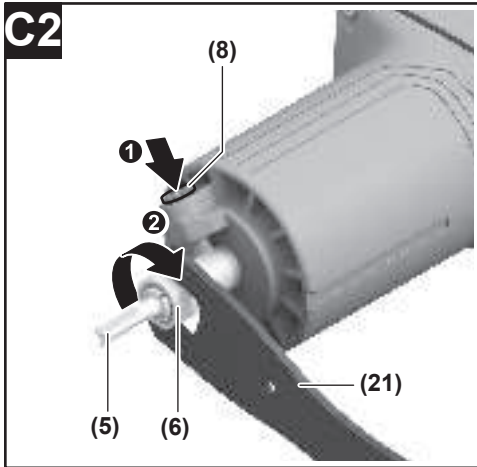
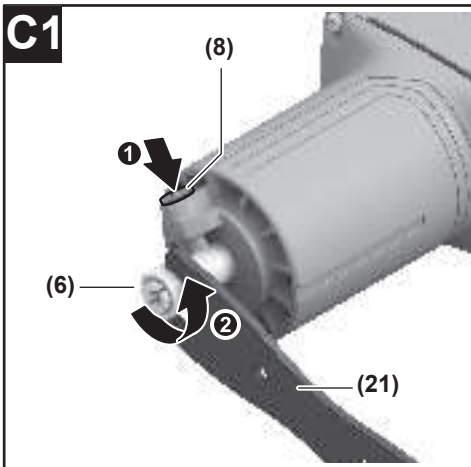
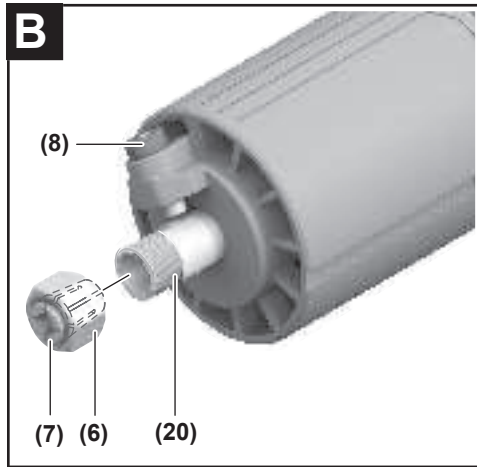
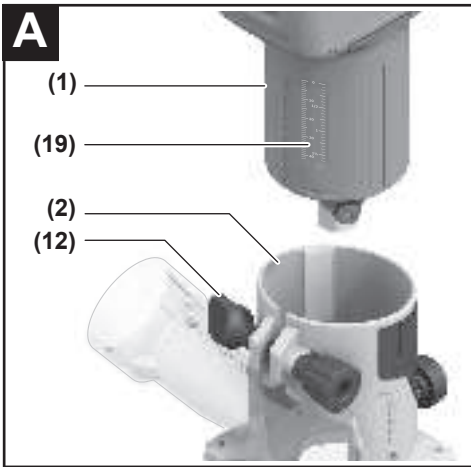


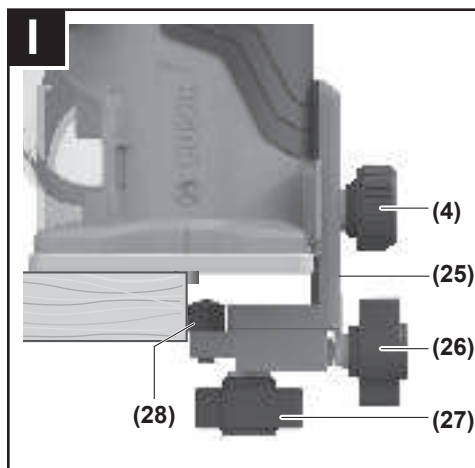
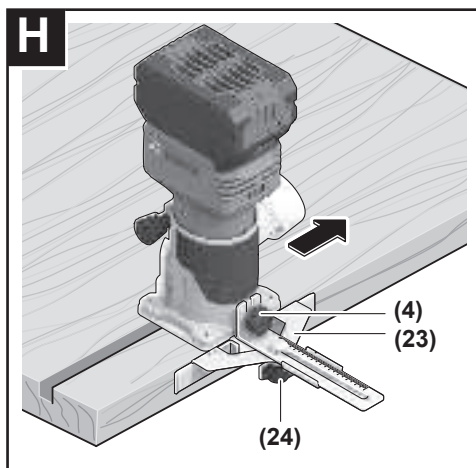
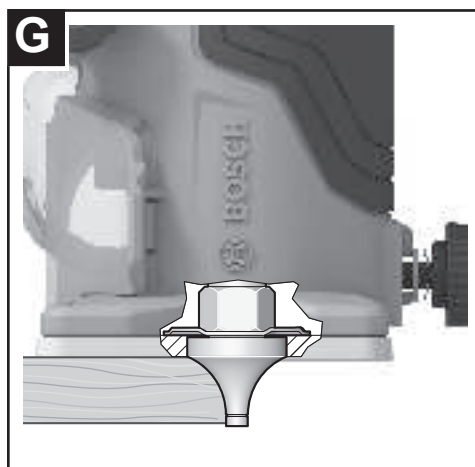
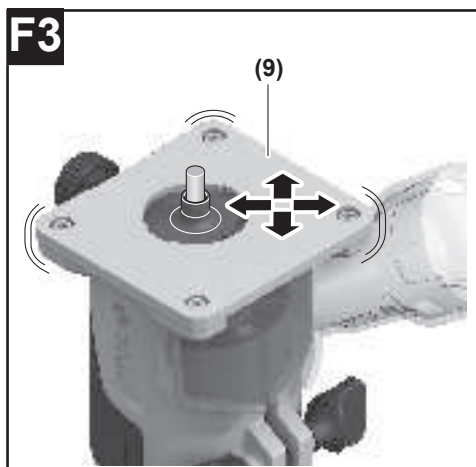
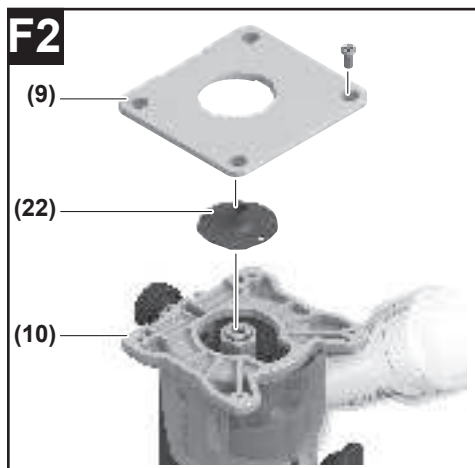
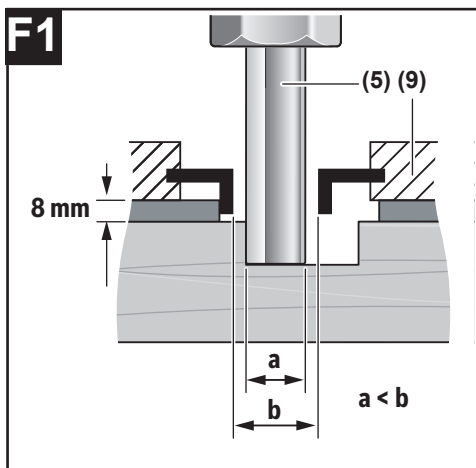
- en Original instructions
- fr Notice originale
- pt Manual original
- zh 正本使用说明书
- zh 原始使用說明書
- th หนังสือคู่มือการใช้งานฉบับต้นแบบ
- id Petunjuk-Petunjuk untuk Penggunaan Orisinal
- vi Bản gốc hướng dẫn sử dụng
- ar دليل التشغيل الأصلي
- fa دفترچه راهنمای اصلی



English	Page	6
Français	Page	12
Português	Página	19
中文	頁	26
繁體中文	頁	32
ไทย	หน้า	38
Bahasa Indonesia	Halaman	45
Tiếng Việt	Trang	52
عربي	الصفحة	60
فارسی	صفحه	67







English

Safety Instructions

General Power Tool Safety Warnings

⚠ WARNING Read all safety warnings, instructions, illustrations and specifications provided with this power tool. Failure to follow all instructions listed below may result in electric shock, fire and/or serious injury.

Save all warnings and instructions for future reference.

The term "power tool" in the warnings refers to your mains-operated (corded) power tool or battery-operated (cordless) power tool.

Work area safety

- ▶ **Keep work area clean and well lit.** Cluttered or dark areas invite accidents.
- ▶ **Do not operate power tools in explosive atmospheres, such as in the presence of flammable liquids, gases or dust.** Power tools create sparks which may ignite the dust or fumes.
- ▶ **Keep children and bystanders away while operating a power tool.** Distractions can cause you to lose control.

Electrical safety

- ▶ **Power tool plugs must match the outlet. Never modify the plug in any way. Do not use any adapter plugs with earthed (grounded) power tools.** Unmodified plugs and matching outlets will reduce risk of electric shock.
- ▶ **Avoid body contact with earthed or grounded surfaces, such as pipes, radiators, ranges and refrigerators.** There is an increased risk of electric shock if your body is earthed or grounded.
- ▶ **Do not expose power tools to rain or wet conditions.** Water entering a power tool will increase the risk of electric shock.
- ▶ **Do not abuse the cord. Never use the cord for carrying, pulling or unplugging the power tool. Keep cord away from heat, oil, sharp edges or moving parts.** Damaged or entangled cords increase the risk of electric shock.
- ▶ **When operating a power tool outdoors, use an extension cord suitable for outdoor use.** Use of a cord suitable for outdoor use reduces the risk of electric shock.
- ▶ **If operating a power tool in a damp location is unavoidable, use a residual current device (RCD) protected supply.** Use of an RCD reduces the risk of electric shock.

Personal safety

- ▶ **Stay alert, watch what you are doing and use common sense when operating a power tool. Do not use a power tool while you are tired or under the influence of drugs, alcohol or medication.** A moment of inatten-

tion while operating power tools may result in serious personal injury.

- ▶ **Use personal protective equipment. Always wear eye protection.** Protective equipment such as a dust mask, non-skid safety shoes, hard hat or hearing protection used for appropriate conditions will reduce personal injuries.
- ▶ **Prevent unintentional starting. Ensure the switch is in the off-position before connecting to power source and/or battery pack, picking up or carrying the tool.** Carrying power tools with your finger on the switch or energising power tools that have the switch on invites accidents.
- ▶ **Remove any adjusting key or wrench before turning the power tool on.** A wrench or a key left attached to a rotating part of the power tool may result in personal injury.
- ▶ **Do not overreach. Keep proper footing and balance at all times.** This enables better control of the power tool in unexpected situations.
- ▶ **Dress properly. Do not wear loose clothing or jewellery. Keep your hair and clothing away from moving parts.** Loose clothes, jewellery or long hair can be caught in moving parts.
- ▶ **If devices are provided for the connection of dust extraction and collection facilities, ensure these are connected and properly used.** Use of dust collection can reduce dust-related hazards.
- ▶ **Do not let familiarity gained from frequent use of tools allow you to become complacent and ignore tool safety principles.** A careless action can cause severe injury within a fraction of a second.

Power tool use and care

- ▶ **Do not force the power tool. Use the correct power tool for your application.** The correct power tool will do the job better and safer at the rate for which it was designed.
- ▶ **Do not use the power tool if the switch does not turn it on and off.** Any power tool that cannot be controlled with the switch is dangerous and must be repaired.
- ▶ **Disconnect the plug from the power source and/or remove the battery pack, if detachable, from the power tool before making any adjustments, changing accessories, or storing power tools.** Such preventive safety measures reduce the risk of starting the power tool accidentally.
- ▶ **Store idle power tools out of the reach of children and do not allow persons unfamiliar with the power tool or these instructions to operate the power tool.** Power tools are dangerous in the hands of untrained users.
- ▶ **Maintain power tools and accessories. Check for misalignment or binding of moving parts, breakage of parts and any other condition that may affect the power tool's operation. If damaged, have the power tool repaired before use.** Many accidents are caused by poorly maintained power tools.

- ▶ **Keep cutting tools sharp and clean.** Properly maintained cutting tools with sharp cutting edges are less likely to bind and are easier to control.
- ▶ **Use the power tool, accessories and tool bits etc. in accordance with these instructions, taking into account the working conditions and the work to be performed.** Use of the power tool for operations different from those intended could result in a hazardous situation.
- ▶ **Keep handles and grasping surfaces dry, clean and free from oil and grease.** Slippery handles and grasping surfaces do not allow for safe handling and control of the tool in unexpected situations.

Battery tool use and care

- ▶ **Recharge only with the charger specified by the manufacturer.** A charger that is suitable for one type of battery pack may create a risk of fire when used with another battery pack.
- ▶ **Use power tools only with specifically designated battery packs.** Use of any other battery packs may create a risk of injury and fire.
- ▶ **When battery pack is not in use, keep it away from other metal objects, like paper clips, coins, keys, nails, screws or other small metal objects, that can make a connection from one terminal to another.** Shorting the battery terminals together may cause burns or a fire.
- ▶ **Under abusive conditions, liquid may be ejected from the battery; avoid contact. If contact accidentally occurs, flush with water. If liquid contacts eyes, additionally seek medical help.** Liquid ejected from the battery may cause irritation or burns.
- ▶ **Do not use a battery pack or tool that is damaged or modified.** Damaged or modified batteries may exhibit unpredictable behaviour resulting in fire, explosion or risk of injury.
- ▶ **Do not expose a battery pack or tool to fire or excessive temperature.** Exposure to fire or temperature above 130 °C may cause explosion.
- ▶ **Follow all charging instructions and do not charge the battery pack or tool outside the temperature range specified in the instructions.** Charging improperly or at temperatures outside the specified range may damage the battery and increase the risk of fire.

Service

- ▶ **Have your power tool serviced by a qualified repair person using only identical replacement parts.** This will ensure that the safety of the power tool is maintained.
- ▶ **Never service damaged battery packs.** Service of battery packs should only be performed by the manufacturer or authorized service providers.

Safety instructions for edge routers

- ▶ **Use clamps or another practical way to secure and support the workpiece to a stable platform.** Holding

the work by your hand or against the body leaves it unstable and may lead to loss of control.

- ▶ **The permitted speed of the cutting bit must be at least equal to the maximum speed marked on the power tool.** If cutting bits run faster than their rated speed, they may break and fly off.
- ▶ **Routers and other accessories must be able to fit exactly in the tool holder (collet) of your power tool.** Application tools that do not fit exactly in the tool holder of the power tool will turn unevenly, vibrate heavily and may cause a loss of control.
- ▶ **Only bring the power tool into contact with the workpiece when switched on.** Otherwise there is danger of kickback if the cutting tool jams in the workpiece.
- ▶ **Never rout over metal objects, nails or screws.** The router could become damaged and cause increased vibration.
- ▶ **Use suitable detectors to determine if there are hidden supply lines or contact the local utility company for assistance.** Contact with electric cables can cause fire and electric shock. Damaging gas lines can lead to explosion. Breaking water pipes causes property damage.
- ▶ **Do not use blunt or damaged routers.** Blunt or damaged routers cause increased friction, create imbalances and may become jammed.
- ▶ **Always wait until the power tool has come to a complete stop before placing it down.** The application tool can jam and cause you to lose control of the power tool.
- ▶ **In case of damage and improper use of the battery, vapours may be emitted. The battery can set alight or explode.** Ensure the area is well ventilated and seek medical attention should you experience any adverse effects. The vapours may irritate the respiratory system.
- ▶ **Do not open the battery.** There is a risk of short-circuiting.
- ▶ **The battery can be damaged by pointed objects such as nails or screwdrivers or by force applied externally.** An internal short circuit may occur, causing the battery to burn, smoke, explode or overheat.
- ▶ **Only use the battery in the manufacturer's products.** This is the only way in which you can protect the battery against dangerous overload.



Protect the battery against heat, e.g. against continuous intense sunlight, fire, dirt, water and moisture. There is a risk of explosion and short-circuiting.



Product Description and Specifications



Read all the safety and general instructions.

Failure to observe the safety and general instructions may result in electric shock, fire and/or serious injury.

Please observe the illustrations at the beginning of this operating manual.

Intended use

The power tool is intended for copy routing as well as routing grooves, edges, profiles and elongated holes in wood, plastic and light building materials while resting firmly on the workpiece.

Product features

The numbering of the product features refers to the diagram of the power tool on the graphics page.

- (1) Drive unit
- (2) Routing base
- (3) Knurled screw for routing base
- (4) Knurled screw for parallel guide/pilot
- (5) Router bit^{a)}
- (6) Cap nut with collet
- (7) Collet
- (8) Spindle lock button
- (9) Guide plate
- (10) Base plate
- (11) Dust extraction adapter
- (12) Wing bolt for routing base
- (13) On/off switch
- (14) Rechargeable battery^{a)}
- (15) Battery release button^{a)}
- (16) Speed preselection thumbwheel
- (17) Handle (insulated gripping surface)
- (18) Worklight
- (19) Scale for setting the routing depth
- (20) Tool holder
- (21) Open-ended spanner (13 mm, 17 mm)
- (22) Guide bushing^{a)}
- (23) Parallel guide
- (24) Wing bolt for parallel guide
- (25) Guide^{a)}
- (26) Wing bolt for fixing the horizontal alignment^{a)}
- (27) Wing bolt for horizontal alignment of the guide^{a)}
- (28) Guide roller^{a)}
- (29) Dust extraction adapter^{a)}
- (30) Extraction hose^{a)}

a) **Accessories shown or described are not included with the product as standard. You can find the complete selection of accessories in our accessories range.**

Technical data

Edge router	GLF 18V-8
Article number	3 601 FC6 0..

Edge router	GLF 18V-8	
Rated voltage	V [~]	18
Rated no-load speed ^{A)}	min ⁻¹	10000–30000
Speed preselection		●
Constant electronic control		●
Connection for dust extraction		●
Compatible collets	mm inches	6/8 1/4"
Weight ^{B)}	kg	1.5–2.5
Recommended ambient temperature during charging	°C	0 to +35
Permitted ambient temperature during operation ^{C)} and during storage	°C	-20 ... +50
Recommended rechargeable batteries		GBA 18V... ProCORE18V...
Recommended battery chargers		GAL 18... GAX 18... GAL 36...

A) Measured at 20–25 °C with rechargeable battery **ProCORE18V 4.0Ah**

B) Depends on battery in use

C) Limited performance at temperatures < 0 °C

Values can vary depending on the product, scope of application and environmental conditions. To find out more, visit www.bosch-professional.com/wac.

Rechargeable battery

Bosch sells some cordless power tools without a rechargeable battery. You can tell whether a rechargeable battery is included with the power tool by looking at the packaging.

Charging the battery

- **Use only the chargers listed in the technical data.** Only these chargers are matched to the lithium-ion battery of your power tool.

Note: Lithium-ion rechargeable batteries are supplied partially charged according to international transport regulations. To ensure full rechargeable battery capacity, fully charge the rechargeable battery before using your tool for the first time.

Inserting the Battery

Push the charged battery into the battery holder until it clicks into place.

Removing the Battery

Note: Only remove the battery when the power tool is switched off.



To remove the rechargeable battery, press the battery release button and pull the battery out. **Do not use force to do this.**

The rechargeable battery has two locking levels to prevent the battery from falling out if the battery release button is pressed unintentionally. The rechargeable battery is held in place by a spring when fitted in the power tool.

Battery charge indicator

Note: Not all battery types have a battery charge indicator.

The green LEDs on the battery charge indicator indicate the state of charge of the battery. For safety reasons, it is only possible to check the state of charge when the power tool is not in operation.

Press the button for the battery charge indicator  or  to show the state of charge. This is also possible when the battery is removed.

If no LED lights up after pressing the button for the battery charge indicator, then the battery is defective and must be replaced.

Battery model GBA 18V...



LED	Capacity
3 × continuous green light	60–100 %
2 × continuous green light	30–60 %
1 × continuous green light	5–30 %
1 × flashing green light	0–5 %

Battery model ProCORE18V...



LED	Capacity
5 × continuous green light	80–100 %
4 × continuous green light	60–80 %
3 × continuous green light	40–60 %
2 × continuous green light	20–40 %
1 × continuous green light	5–20 %
1 × flashing green light	0–5 %

Recommendations for Optimal Handling of the Battery

Protect the battery against moisture and water.

Only store the battery within a temperature range of -20 to 50 °C. Do not leave the battery in your car in the summer, for example.

Occasionally clean the ventilation slots on the battery using a soft brush that is clean and dry.

A significantly reduced operating time after charging indicates that the battery has deteriorated and must be replaced. Follow the instructions on correct disposal.

Fitting

- **Before carrying out any work on the power tool (e.g. maintenance, tool change etc.), remove the battery from the power tool.** There is risk of injury from unintentionally pressing the on/off switch.

Changing the tool

- **Wearing protective gloves while fitting and changing router bits is recommended.**

Original router bits from the extensive range of **Bosch** accessories are available from your specialist dealer.

Removing the routing base (see figure A)

Before fitting a router bit, you must first separate the routing base (2) from the drive unit (1).

Open the wing bolt (12) on the routing base (2).

Pull the drive unit out in an upward direction.

Changing the Collet (see figure B)

Depending on the router bit used, you may have to change the collet with the cap nut (6) before fitting the router bit.

If the right collet for your router bit is already installed, follow the work steps in the following section.

The collet must sit in the cap nut with a small amount of play. The collet with the cap nut (6) must be easy to fit. If the cap nut or collet is damaged, replace it immediately.

Press and hold the spindle lock button (8). If necessary, turn the motor spindle manually until it is locked in place.

Unscrew the cap nut (6) anticlockwise with the open-ended spanner (21).

Release the spindle lock button.

Note: Alternative possibility for replacing collet (without pressing the spindle lock button (8)): Place two wrenches on the shaft using a dihedron, in order to loosen or tighten the cap nut (6).

If required, clean all the parts you want to fit with a soft brush or by blowing them clean with compressed air before assembling them.

Place the new cap nut on the tool holder (20).

Loosely tighten the cap nut.

- **Do not, under any circumstances, tighten the collet with the tightening nut until a router bit has been fitted.** The collet may otherwise become damaged.

Fitting the router bit (see figure C1 - C2)

Router bits are available in a wide variety of designs and qualities depending on the intended application.

Router bits made of high-performance high-speed steel (HSS) are suited to machining soft materials such as softwood and plastic.

Router bits with carbide tips (HM) are especially suitable for hard and abrasive materials such as hardwood and aluminium.

Original router bits from the extensive range of **Bosch** accessories are available from your specialist dealer.

Only use undamaged and clean router bits.

Installing the Routing Base (see figure A)

To start routing, the routing base (2) must be fitted back onto the drive unit (1).

Open the wing bolt (12) on the routing base (2).

Slide the drive unit (1) into the routing base (2).

Close the wing bolt (12) on the routing base (2).

Note: The wing bolt (12) and the knurled screw (3) can be exchanged with each other.

- ▶ **After assembly, always check that the drive unit is firmly seated in the routing base.**

Dust/Chip Extraction

The dust from materials such as lead paint, some types of wood, minerals and metal can be harmful to human health. Touching or breathing in this dust can trigger allergic reactions and/or cause respiratory illnesses in the user or in people in the near vicinity.

Certain dusts, such as oak or beech dust, are classified as carcinogenic, especially in conjunction with wood treatment additives (chromate, wood preservative). Materials containing asbestos may only be machined by specialists.

- Use a dust extraction system that is suitable for the material wherever possible.
- Provide good ventilation at the workplace.
- It is advisable to wear a P2 filter class breathing mask.

The regulations on the material being machined that apply in the country of use must be observed.

- ▶ **Avoid dust accumulation at the workplace.** Dust can easily ignite.

Fitting the dust extraction adapter

To ensure optimum extraction, the dust extraction adapter (29) must be cleaned regularly.

Connecting the Dust Extraction System (see figure D)

Insert the adapter for dust extraction (11) into the power tool from the front. It audibly engages. To remove, grasp the side of the adapter (11) and pull it off forwards.

Insert an extraction hose (dia. 35 mm) (30) (accessory) or a dust extraction adapter (29) (accessory). Connect the dust extraction hose (30) to a dust extractor (accessory).

The dust extractor must be suitable for the material being worked.

When extracting dry dust or dust that is especially detrimental to health or carcinogenic, use a special dust extractor.

Operation**Setting the routing depth**

- ▶ **The routing depth must only be set while the power tool is switched off.**
 - Place the power tool with a fitted router bit onto the workpiece you want to machine.
 - Reopen the wing bolt (12) on the routing base (2) in order to set the required routing depth based on the scale

for setting routing depth (19) either by hand or with the knurled screw (3).

- Close the wing bolt (12) on the routing base (2).
- Check the routing depth you have set by carrying out a practical test and correct it if required.

Starting Operation**Preselecting the speed**

You can preselect the required speed using the speed preselection thumbwheel (16), even during operation.

Thumbwheel position	Speed [min ⁻¹]	
1-2	10,000-14,000	Low speed
3-4	18,000-24,000	Medium speed
5-6	26,000-30,000	High speed

The values displayed in the following table are guidelines.

The required speed depends on the material and the working conditions; it can be ascertained through practical tests.

Material	Router bit diameter [mm]	Thumbwheel position
Hardwood (beech)	4-10	5-6
	12-20	3-4
	> 20	1-2
Softwood (pine)	4-10	5-6
	12-20	3-6
	> 20	1-3
Chipboard	4-10	3-6
	12-20	2-4
	> 20	1-3
Plastics	4-15	2-3
	> 15	1-2

After working for a long time at a low speed, you should let the power tool rotate at no load for some time at maximum speed to cool down.

Switching on/off

To **switch on** the power tool, set the on/off switch (13) to **I**.

To **switch off** the power tool, set the on/off switch (13) to **0**.

Constant electronic control

The Constant Electronic keeps the speed at no load and under load virtually consistent, guaranteeing uniform performance.

Working Advice

- ▶ **Protect router bits against shock and impact.**
- ▶ **Before carrying out any work on the power tool (e.g. maintenance, tool change etc.), remove the battery from the power tool.** There is risk of injury from unintentionally pressing the on/off switch.

Routing direction and routing process (see figure E)

- ▶ **Routing must always be carried out with the workpiece being moved against the direction in which the router bit (5) is turning (up cut).** If the workpiece is moved in the same direction as the router bit is turning (down cut), the power tool may be pulled out of your hands.
- ▶ **Only use the power tool when the routing base (2) is fitted.** Losing control of the power tool can cause injuries.

Note: Be aware that the router bit (5) always protrudes slightly from the base plate (10). Do not damage the template or the workpiece.

Set the routing depth you want.

Switch on the power tool and guide it to the point you want to machine.

Switch off the power tool after routing.

- ▶ **Do not put the power tool down before the router bit has come to a complete stop.** Application tools that are still running can cause injuries.

Routing with guide bushing (see figure F1 – F3)

Using the guide bushing (22), you can transfer contours from templates or patterns to the workpiece.

Select the guide bushing that is suitable for the thickness of the template or pattern. Due to the protruding height of the guide bushing, the template must have a minimum thickness of 8 mm (see figure F1).

- ▶ **Select a router bit with a diameter that is smaller than the interior diameter of the guide bushing.**

Unscrew the four cylinder screws on the underside of the guide plate (9) and remove the guide plate.

Insert the guide bushing (22) into the guide plate (see figure F2).

Loosely screw the guide plate back onto the base plate (10). It must still be possible to move the guide plate freely.

To ensure that the distance between the centre of the router bit and the edge of the guide bushing is uniform, the guide bushing and guide plate must (if necessary) be centrally aligned with each other.

- Align the guide plate such that the router bit and guide bushing are centred on the opening in the guide plate (see figure F3).
- Hold the guide plate in this position and firmly tighten the fastening screw.

To rout with the guide bushing (22), proceed as follows:

- Place the power tool with the guide bushing (22) onto the template.
- Guide the power tool with the protruding guide bushing along the template using lateral pressure.

Edge or profile routing (see figure G)

For edge and profile routing without a parallel guide, the router bit must be fitted with a pilot pin or a ball bearing.

While it is switched on, guide the power tool towards the workpiece from the side until the pilot pin or the ball bearing of the router bit is touching the side of the workpiece edge that you want to machine.

Guide the power tool along the workpiece edge. Pay attention that the router is positioned perpendicularly. Too much pressure can damage the edge of the workpiece.

Routing with a parallel guide (see figure H)

You can fit a parallel guide (23) for when cutting parallel to an edge.

Fit the parallel guide (23) to the routing base (2) using the knurled screw (4).

Set the required stop depth using the wing bolt on the parallel guide (24).

While it is switched on, guide the power tool along the workpiece edge with a uniform feed and while applying lateral pressure to the parallel guide.

Routing with a pilot (see figure I)

The pilot (25) helps when routing edges with router bits without a pilot pin or ball bearing.

Fit the pilot to the routing base (2) using the nut (4).

Guide the power tool along the workpiece edge with a uniform feed.

Lateral clearance: To change the amount of material being removed, you can adjust the lateral clearance between the workpiece and the guide roller (28) on the pilot (25).

Loosen the wing bolt (26), set the lateral clearance you want by turning the wing bolt (27), then retighten the wing bolt (26).

Height: Set the vertical alignment of the pilot according to the router bit you are using and the thickness of the workpiece you want to machine.

Loosen the nut (4) on the pilot, slide the pilot into the desired position and retighten the bolt.

Maintenance and Service**Maintenance and Cleaning**

- ▶ **Before carrying out any work on the power tool (e.g. maintenance, tool change etc.), remove the battery from the power tool.** There is risk of injury from unintentionally pressing the on/off switch.
- ▶ **To ensure safe and efficient operation, always keep the power tool and the ventilation slots clean.**

After-Sales Service and Application Service

Our after-sales service responds to your questions concerning maintenance and repair of your product as well as spare parts. You can find explosion drawings and information on spare parts at: www.bosch-pt.com

The Bosch product use advice team will be happy to help you with any questions about our products and their accessories.

In all correspondence and spare parts orders, please always include the 10-digit article number given on the nameplate of the product.

Malaysia

Robert Bosch Sdn. Bhd. (220975-V) PT/SMY
No. 8A, Jalan 13/6
46200 Petaling Jaya
Selangor
Tel.: (03) 79663194
Toll-Free: 1800 880188
Fax: (03) 79583838
E-Mail: kiathoe.chong@my.bosch.com
www.bosch-pt.com.my

You can find further service addresses at:

www.bosch-pt.com/serviceaddresses

Transport

The recommended lithium-ion batteries are subject to legislation on the transport of dangerous goods. The user can transport the batteries by road without further requirements.

When the batteries are shipped by third parties (e.g. air transport or forwarding agency), special requirements on packaging and labelling (e.g. ADR regulations) must be met. A dangerous goods expert must be consulted when preparing the items for shipping.

Dispatch battery packs only when the housing is undamaged. Tape or mask off open contacts and pack up the battery in such a manner that it cannot move around in the packaging. Please also observe the possibility of more detailed national regulations.

Disposal



Power tools, rechargeable batteries, accessories and packaging should be sorted for environmental-friendly recycling.



Do not dispose of power tools and batteries/rechargeable batteries into household waste!

Battery packs/batteries:

Li-ion:

Please observe the notes in the section on transport (see "Transport", page 12).

Français

Consignes de sécurité

Avertissements de sécurité généraux pour l'outil électrique

AVERTISSEMENT Lire tous les avertissements de sécurité, les instructions, les illustrations et les spécifications fournis

avec cet outil électrique. Ne pas suivre les instructions énumérées ci-dessous peut provoquer un choc électrique, un incendie et/ou une blessure sérieuse.

Conservation des avertissements et des instructions pour pouvoir s'y reporter ultérieurement.

Le terme "outil électrique" dans les avertissements fait référence à votre outil électrique alimenté par le secteur (avec cordon d'alimentation) ou votre outil électrique fonctionnant sur batterie (sans cordon d'alimentation).

Sécurité de la zone de travail

- ▶ **Conservation de la zone de travail propre et bien éclairée.** Les zones en désordre ou sombres sont propices aux accidents.
- ▶ **Ne pas faire fonctionner les outils électriques en atmosphère explosive, par exemple en présence de liquides inflammables, de gaz ou de poussières.** Les outils électriques produisent des étincelles qui peuvent enflammer les poussières ou les fumées.
- ▶ **Maintenir les enfants et les personnes présentes à l'écart pendant l'utilisation de l'outil électrique.** Les distractions peuvent vous faire perdre le contrôle de l'outil.

Sécurité électrique

- ▶ **Il faut que les fiches de l'outil électrique soient adaptées au socle. Ne jamais modifier la fiche de quelque façon que ce soit. Ne pas utiliser d'adaptateurs avec des outils électriques à branchement de terre.** Des fiches non modifiées et des socles adaptés réduisent le risque de choc électrique.
- ▶ **Éviter tout contact du corps avec des surfaces reliées à la terre telles que les tuyaux, les radiateurs, les cuisinières et les réfrigérateurs.** Il existe un risque accru de choc électrique si votre corps est relié à la terre.
- ▶ **Ne pas exposer les outils électriques à la pluie ou à des conditions humides.** La pénétration d'eau à l'intérieur d'un outil électrique augmente le risque de choc électrique.
- ▶ **Ne pas maltraiter le cordon. Ne jamais utiliser le cordon pour porter, tirer ou débrancher l'outil électrique. Maintenir le cordon à l'écart de la chaleur, du lubrifiant, des arêtes vives ou des parties en mouvement.** Des cordons endommagés ou emmêlés augmentent le risque de choc électrique.
- ▶ **Lorsqu'on utilise un outil électrique à l'extérieur, utiliser un prolongateur adapté à l'utilisation extérieure.**

L'utilisation d'un cordon adapté à l'utilisation extérieure réduit le risque de choc électrique.

- ▶ **Si l'usage d'un outil électrique dans un emplacement humide est inévitable, utiliser une alimentation protégée par un dispositif à courant différentiel résiduel (RCD).** L'usage d'un RCD réduit le risque de choc électrique.

Sécurité des personnes

- ▶ **Rester vigilant, regarder ce que vous êtes en train de faire et faire preuve de bon sens dans votre utilisation de l'outil électrique. Ne pas utiliser un outil électrique lorsque vous êtes fatigué ou sous l'emprise de drogues, de l'alcool ou de médicaments.** Un moment d'inattention en cours d'utilisation d'un outil électrique peut entraîner des blessures graves.
- ▶ **Utiliser un équipement de protection individuelle. Toujours porter une protection pour les yeux.** Les équipements de protection individuelle tels que les masques contre les poussières, les chaussures de sécurité antidérapantes, les casques ou les protections auditives utilisés pour les conditions appropriées réduisent les blessures.
- ▶ **Éviter tout démarrage intempestif. S'assurer que l'interrupteur est en position arrêt avant de brancher l'outil au secteur et/ou au bloc de batteries, de le ramasser ou de le porter.** Porter les outils électriques en ayant le doigt sur l'interrupteur ou brancher des outils électriques dont l'interrupteur est en position marche est source d'accidents.
- ▶ **Retirer toute clé de réglage avant de mettre l'outil électrique en marche.** Une clé laissée fixée sur une partie tournante de l'outil électrique peut donner lieu à des blessures.
- ▶ **Ne pas se précipiter. Garder une position et un équilibre adaptés à tout moment.** Cela permet un meilleur contrôle de l'outil électrique dans des situations inattendues.
- ▶ **S'habiller de manière adaptée. Ne pas porter de vêtements amples ou de bijoux. Garder les cheveux et les vêtements à distance des parties en mouvement.** Des vêtements amples, des bijoux ou les cheveux longs peuvent être pris dans des parties en mouvement.
- ▶ **Si des dispositifs sont fournis pour le raccordement d'équipements pour l'extraction et la récupération des poussières, s'assurer qu'ils sont connectés et correctement utilisés.** Utiliser des collecteurs de poussière peut réduire les risques dus aux poussières.
- ▶ **Rester vigilant et ne pas négliger les principes de sécurité de l'outil sous prétexte que vous avez l'habitude de l'utiliser.** Une fraction de seconde d'inattention peut provoquer une blessure grave.

Utilisation et entretien de l'outil électrique

- ▶ **Ne pas forcer l'outil électrique. Utiliser l'outil électrique adapté à votre application.** L'outil électrique adapté réalise mieux le travail et de manière plus sûre au régime pour lequel il a été construit.

- ▶ **Ne pas utiliser l'outil électrique si l'interrupteur ne permet pas de passer de l'état de marche à arrêt et inversement.** Tout outil électrique qui ne peut pas être commandé par l'interrupteur est dangereux et il faut le réparer.
- ▶ **Débrancher la fiche de la source d'alimentation et/ou enlever le bloc de batteries, s'il est amovible, avant tout réglage, changement d'accessoires ou avant de ranger l'outil électrique.** De telles mesures de sécurité préventives réduisent le risque de démarrage accidentel de l'outil électrique.
- ▶ **Conserver les outils électriques à l'arrêt hors de la portée des enfants et ne pas permettre à des personnes ne connaissant pas l'outil électrique ou les présentes instructions de le faire fonctionner.** Les outils électriques sont dangereux entre les mains d'utilisateurs novices.
- ▶ **Observer la maintenance des outils électriques et des accessoires. Vérifier qu'il n'y a pas de mauvais alignement ou de blocage des parties mobiles, des pièces cassées ou toute autre condition pouvant affecter le fonctionnement de l'outil électrique. En cas de dommages, faire réparer l'outil électrique avant de l'utiliser.** De nombreux accidents sont dus à des outils électriques mal entretenus.
- ▶ **Garder affûtés et propres les outils permettant de couper.** Des outils destinés à couper correctement entretenus avec des pièces coupantes tranchantes sont moins susceptibles de bloquer et sont plus faciles à contrôler.
- ▶ **Utiliser l'outil électrique, les accessoires et les lames etc., conformément à ces instructions, en tenant compte des conditions de travail et du travail à réaliser.** L'utilisation de l'outil électrique pour des opérations différentes de celles prévues peut donner lieu à des situations dangereuses.
- ▶ **Il faut que les poignées et les surfaces de préhension restent sèches, propres et dépourvues d'huiles et de graisses.** Des poignées et des surfaces de préhension glissantes rendent impossibles la manipulation et le contrôle en toute sécurité de l'outil dans les situations inattendues.

Utilisation des outils fonctionnant sur batteries et précautions d'emploi

- ▶ **Ne recharger qu'avec le chargeur spécifié par le fabricant.** Un chargeur qui est adapté à un type de bloc de batteries peut créer un risque de feu lorsqu'il est utilisé avec un autre type de bloc de batteries.
- ▶ **N'utiliser les outils électriques qu'avec des blocs de batteries spécifiquement désignés.** L'utilisation de tout autre bloc de batteries peut créer un risque de blessure et de feu.
- ▶ **Lorsqu'un bloc de batteries n'est pas utilisé, le maintenir à l'écart de tout autre objet métallique, par exemple trombones, pièces de monnaie, clés, clous, vis ou autres objets de petite taille qui peuvent donner**

lieu à une connexion d'une borne à une autre. Le court-circuitage des bornes d'une batterie entre elles peut causer des brûlures ou un feu.

- ▶ **Dans de mauvaises conditions, du liquide peut être éjecté de la batterie; éviter tout contact. En cas de contact accidentel, nettoyer à l'eau. Si le liquide entre en contact avec les yeux, rechercher en plus une aide médicale.** Le liquide éjecté des batteries peut causer des irritations ou des brûlures.
- ▶ **Ne pas utiliser un bloc de batteries ou un outil fonctionnant sur batteries qui a été endommagé ou modifié.** Les batteries endommagées ou modifiées peuvent avoir un comportement imprévisible provoquant un feu, une explosion ou un risque de blessure.
- ▶ **Ne pas exposer un bloc de batteries ou un outil fonctionnant sur batteries au feu ou à une température excessive.** Une exposition au feu ou à une température supérieure à 130 °C peut provoquer une explosion.
- ▶ **Suivre toutes les instructions de charge et ne pas charger le bloc de batteries ou l'outil fonctionnant sur batteries hors de la plage de températures spécifiée dans les instructions.** Un chargement incorrect ou à des températures hors de la plage spécifiée de températures peut endommager la batterie et augmenter le risque de feu.

Maintenance et entretien

- ▶ **Faire entretenir l'outil électrique par un réparateur qualifié utilisant uniquement des pièces de rechange identiques.** Cela assure le maintien de la sécurité de l'outil électrique.
- ▶ **Ni jamais effectuer d'opération d'entretien sur des blocs de batteries endommagés.** Il convient que l'entretien des blocs de batteries ne soit effectué que par le fabricant ou les fournisseurs de service autorisés.

Consignes de sécurité pour affleureuses

- ▶ **Utiliser des pinces ou autre moyen pratique de fixer et soutenir la pièce à usiner à la plate-forme stable.** Le fait de tenir la pièce de travail avec la main ou contre son corps le rend instable et peut entraîner une perte de contrôle.
- ▶ **La vitesse maximale admissible de la fraise doit être au moins égale à la vitesse maximale indiquée sur l'outil électroportatif.** Les fraises qui tournent plus vite que leur vitesse maximale admissible risquent de se rompre et de voler en éclat.
- ▶ **Les fraises et autres accessoires doivent être conçus pour le porte-outil (pince de serrage) de votre outil électroportatif.** Les outils qui ne correspondent pas exactement au porte-outil de l'outil électroportatif, tournent de façon irrégulière, génèrent de fortes vibrations et peuvent entraîner une perte de contrôle.
- ▶ **N'approchez l'outil électroportatif de la pièce à scier qu'après l'avoir mis en marche.** Il y a sinon risque de rebond au cas où la lame resterait coincée dans la pièce.

- ▶ **Ne fraisez jamais des pièces métalliques, clous ou vis.** La fraise pourrait être endommagée et se mettre à vibrer fortement.
- ▶ **Utilisez un détecteur approprié pour vérifier s'il n'y a pas de conduites cachées ou contactez votre société de distribution d'eau locale.** Tout contact avec des câbles électriques peut provoquer un incendie ou un choc électrique. Tout endommagement d'une conduite de gaz peut provoquer une explosion. La perforation d'une conduite d'eau provoque des dégâts matériels.
- ▶ **N'utilisez pas de fraises émoussées ou endommagées.** Les fraises émoussées ou endommagées provoquent une friction trop élevée, elles peuvent rester coincées et dés-équilibrer la défonceuse.
- ▶ **Avant de poser l'outil électroportatif, attendez que celui-ci soit complètement à l'arrêt.** L'outil risque de se coincer, ce qui entraînerait une perte de contrôle de l'outil électroportatif.
- ▶ **Si l'accu est endommagé ou utilisé de manière non conforme, des vapeurs peuvent s'échapper. L'accu peut brûler ou exploser.** Ventilez le local et consultez un médecin en cas de malaise. Les vapeurs peuvent entraîner des irritations des voies respiratoires.
- ▶ **N'ouvrez pas l'accu.** Risque de court-circuit.
- ▶ **Les objets pointus comme un clou ou un tournevis et le fait d'exercer une force extérieure sur le boîtier risque d'endommager l'accu.** Il peut en résulter un court-circuit interne et l'accu risque de s'enflammer, de dégager des fumées, d'exploser ou de surchauffer.
- ▶ **N'utilisez l'accu que sur les produits du fabricant.** Tout risque de surcharge dangereuse sera alors exclu.



Conservez la batterie à l'abri de la chaleur, en la protégeant p. ex. de l'ensoleillement direct, du feu, de la saleté, de l'eau et de l'humidité. Il existe un risque d'explosion et de courts-circuits.

Description des prestations et du produit



Lisez attentivement toutes les instructions et consignes de sécurité. Le non-respect des instructions et consignes de sécurité peut provoquer un choc électrique, un incendie et/ou entraîner de graves blessures.

Référez-vous aux illustrations qui se trouvent à l'avant de la notice d'utilisation.

Utilisation conforme

Équipé d'un support stable, l'outil électroportatif est conçu pour le fraisage de rainures, bords, profils et trous oblongs ainsi que pour le fraisage par copiage dans le bois, les plastiques et les matériaux de construction légers.

Éléments constitutifs

La numérotation des éléments se réfère à la représentation de l'outil électroportatif sur la page graphique.

- (1) Bloc moteur
- (2) Berceau de fraisage
- (3) Vis moletée du berceau
- (4) Vis moletée de la butée parallèle/du guide coulissant
- (5) Fraise^{a)}
- (6) Écrou-raccord avec pince de serrage
- (7) Pince de serrage
- (8) Bouton de blocage de broche
- (9) Plaque d'assise
- (10) Base
- (11) Adaptateur d'aspiration
- (12) Vis papillon du berceau de fraisage
- (13) Interrupteur Marche/Arrêt
- (14) Batterie^{a)}
- (15) Bouton de déverrouillage de la batterie^{a)}
- (16) Molette de présélection de vitesse
- (17) Poignée (surface de prise en main isolée)
- (18) LED d'éclairage
- (19) Échelle de réglage de profondeur de fraisage
- (20) Porte-outil
- (21) Clés plates (13 mm, 17 mm)
- (22) Bague de copiage^{a)}
- (23) Butée parallèle
- (24) Vis papillon de la butée parallèle
- (25) Guide coulissant^{a)}
- (26) Vis papillon pour blocage de la position horizontale^{a)}
- (27) Vis papillon pour réglage de la position horizontale du guide coulissant^{a)}
- (28) Galet du guide coulissant^{a)}
- (29) Adaptateur d'aspiration^{a)}
- (30) Flexible d'aspiration^{a)}

a) Les accessoires décrits ou illustrés ne sont pas tous compris dans la fourniture. Vous trouverez l'ensemble des accessoires dans notre gamme d'accessoires.

Caractéristiques techniques

Affleureuse	GLF 18V-8	
Référence	3 601 FC6 0..	
Tension nominale	V~	18
Régime à vide assigné ^{A)}	tr/min	10 000–30 000
Variateur électronique	●	
Constante électronique	●	
Raccord pour l'aspiration des poussières	●	

Affleureuse	GLF 18V-8	
Pincettes de serrage compatibles	mm pouce	6 / 8 1/4"
Poids ^{B)}	kg	1,5–2,5
Températures ambiantes recommandées pour la charge	°C	0 ... +35
Températures ambiantes admissibles pendant l'utilisation ^{C)} et pour le stockage	°C	-20 ... +50
Batteries recommandées	GBA 18V... ProCORE18V...	
Chargeurs recommandés	GAL 18... GAX 18... GAL 36...	

A) Mesuré à 20–25 °C avec accu ProCORE18V 4.0Ah.

B) Dépend de l'accu utilisé

C) Performances réduites à des températures < 0 °C

Les valeurs peuvent varier selon le produit, les conditions d'utilisation et les conditions ambiantes. Pour plus d'informations, rendez-vous sur www.bosch-professional.com/wac.

Accu

Bosch vend ses outils électroportatifs sans-fil aussi sans accu. Il est indiqué sur l'emballage si un accu est fourni ou non avec l'outil électroportatif.

Recharge de l'accu

► **N'utilisez que les chargeurs indiqués dans les Caractéristiques techniques.** Seuls ces chargeurs sont adaptés à l'accu Lithium-Ion de votre outil électroportatif.

Remarque : Les dispositions internationales en vigueur pour le transport de marchandises obligent à livrer les accus Lithium-Ion partiellement chargés. Pour que les accus soient pleinement performants, chargez-les complètement avant leur première utilisation.

Mise en place de l'accu

Insérez l'accu dans le compartiment à accu jusqu'à ce qu'il s'enclenche.

Retrait de l'accu

Remarque : Ne retirez l'accu que quand l'outil électroportatif est éteint.



Pour retirer l'accu, appuyez sur le bouton de déverrouillage de l'accu et sortez l'accu de l'outil électroportatif. **Ne forcez pas.**

L'accu dispose d'un double verrouillage permettant d'éviter qu'il tombe si vous appuyez par mégarde sur le bouton de déverrouillage d'accu. Tant que l'accu est en place dans l'outil électroportatif, un ressort le maintient en position.

Indicateur de niveau de charge de l'accu

Remarque : Tous les types d'accu ne possèdent pas d'indicateur d'état de charge.

Les LED vertes de l'indicateur d'état de charge indiquent le niveau de charge de la batterie. Pour des raisons de sécurité, il n'est possible d'afficher l'état de charge que quand l'outil électroportatif est à l'arrêt.

Pour afficher le niveau de charge, appuyez sur le bouton de l'indicateur de niveau de charge  ou . L'affichage du niveau de charge est également possible après retrait de l'accu.

Si aucune LED ne s'allume après avoir appuyé sur le bouton de l'indicateur de niveau de charge, la batterie est défectueuse et doit être remplacée.

Batterie de type GBA 18V...



LED	Capacité
Allumage permanent en vert de 3 LED	60–100 %
Allumage permanent en vert de 2 LED	30–60 %
Allumage permanent en vert de 1 LED	5–30 %
Clignotement en vert de 1 LED	0–5 %

Batterie de type ProCORE18V...



LED	Capacité
Allumage permanent en vert de 5 LED	80–100 %
Allumage permanent en vert de 4 LED	60–80 %
Allumage permanent en vert de 3 LED	40–60 %
Allumage permanent en vert de 2 LED	20–40 %
Allumage permanent en vert de 1 LED	5–20 %
Clignotement en vert de 1 LED	0–5 %

Indications pour une utilisation optimale de la batterie

Protégez l'accu de l'humidité et de l'eau.

Ne stockez l'accu que dans la plage de températures de –20 à 50 °C. Ne laissez par ex. pas l'accu dans une voiture en plein été.

Nettoyez de temps en temps les orifices de ventilation de l'accu à l'aide d'un pinceau doux, propre et sec.

Une baisse notable de l'autonomie de l'accu au fil des recharges effectuées indique que l'accu est arrivé en fin de vie et qu'il doit être remplacé.

Respectez les indications concernant l'élimination.

Montage

- **Retirez systématiquement la batterie avant toute intervention sur l'outil électroportatif (maintenance, changement d'accessoire, etc.).** Il y a sinon risque de blessure si vous appuyez par mégarde sur l'interrupteur Marche/Arrêt.

Changement d'outil

- **Il est recommandé de porter des gants de protection pour le montage et le changement des fraises.**

Vous trouverez toutes les fraises de la gamme étendue d'accessoires **Bosch** auprès de votre revendeur spécialisé.

Démontage du berceau de fraiseage (voir figure A)

Avant de monter une fraise, séparez d'abord le berceau de fraiseage **(2)** du bloc moteur **(1)**.

Dévissez la vis papillon sur le **(12)** berceau de fraiseage **(2)**. Tirez le bloc moteur vers le haut.

Remplacement de la pince de serrage (voir figure B)

Pour pouvoir monter certaines fraises, vous devez préalablement remplacer la pince de serrage avec écrou-raccord **(6)**.

Si la bonne pince de serrage est déjà en place, passez à la section suivante.

La pince de serrage doit être logée dans l'écrou-raccord avec un peu de jeu. La pince de serrage avec écrou-raccord **(6)** doit être facile à monter. Remplacez immédiatement la pince de serrage si l'écrou-raccord ou la pince sont endommagés.

Appuyez sur le bouton de blocage de broche **(8)** et maintenez-le enfoncé. Tournez si nécessaire la broche du moteur à la main jusqu'à ce qu'elle se bloque.

Dévissez l'écrou-raccord **(6)** dans le sens antihoraire à l'aide de la clé plate **(21)**.

Relâchez le bouton de blocage de broche.

Remarque : Autre possibilité pour le remplacement de la pince de serrage (sans actionnement du bouton de blocage de broche **(8)**) : Placez deux clés sur le méplat de l'arbre pour desserrer ou serrer l'écrou-raccord **(6)**.

Si nécessaire, nettoyez avant le montage toutes les pièces à l'aide d'un pinceau doux ou en les soufflant à l'air comprimé.

Montez le nouvel écrou-raccord sur le porte-outil **(20)**.

Serrez légèrement l'écrou-raccord.

- **Ne serrez en aucun cas la pince de serrage avec l'écrou-raccord tant qu'aucune fraise n'est montée.** La pince de serrage risque sinon d'être endommagée.

Mise en place d'une fraise (voir figures C1 – C2)

De nombreuses fraises, de versions et de qualités différentes, sont disponibles pour de multiples applications.

Les fraises en acier rapide (HSS) sont destinées aux matériaux tendres tels que le bois tendre ou les matières plastiques.

Les fraises munies de taillants en carbure sont spécialement conçues pour les matériaux durs et abrasifs tels que le bois dur et l'aluminium.

Vous trouverez toutes les fraises Bosch de la gamme étendue d'accessoires Bosch auprès de votre revendeur spécialisé.

N'utilisez que des fraises en parfait état et propres.

Montage du berceau de fraiseage (voir figure A)

Pour fraiser, montez à nouveau le berceau de fraiseage **(2)** sur le bloc moteur **(1)**.

Dévissez la vis papillon **(12)** du berceau de fraiseage **(2)**.

Insérez le bloc moteur (1) dans le berceau de fraisage (2).
Resserrez la vis papillon (12) sur le berceau de fraisage (2).

Remarque : La vis papillon (12) et la vis moletée (3) sont interchangeables.

► **Après le montage, vérifiez toujours si le bloc moteur est bien en place dans le berceau de fraisage.**

Aspiration de poussières/de copeaux

Les poussières de matériaux tels que peintures contenant du plomb, certains bois, minéraux ou métaux, peuvent être nuisibles à la santé. Le contact avec les poussières ou leur inhalation peut entraîner des réactions allergiques et/ou des maladies respiratoires auprès de l'utilisateur ou des personnes se trouvant à proximité.

Certaines poussières telles que les poussières de chêne ou de hêtre sont considérées comme cancérogènes, surtout en association avec des additifs pour le traitement du bois (chromate, lasure). Les matériaux contenant de l'amiante ne doivent être travaillés que par des personnes qualifiées.

- Si possible, utilisez un dispositif d'aspiration des poussières approprié au matériau.
- Veillez à bien aérer la zone de travail.
- Il est recommandé de porter un masque respiratoire avec un niveau de filtration de classe P2.

Respectez les règlements spécifiques aux matériaux à traiter en vigueur dans votre pays.

► **Évitez toute accumulation de poussières sur le lieu de travail.** Les poussières peuvent facilement s'enflammer.

Montage de l'adaptateur d'aspiration

Nettoyez l'adaptateur d'aspiration (29) à intervalles réguliers pour garantir une bonne aspiration des poussières.

Raccordement d'un aspirateur (voir figure D)

Insérez l'adaptateur d'aspiration (11) par l'avant dans l'outil électroportatif. Il s'enclenche. Pour retirer l'adaptateur (11), saisissez-le latéralement et tirez-le vers l'avant.

Raccordez un flexible d'aspiration (Ø 35 mm) (30) (accessoire) ou un adaptateur d'aspiration (29) (accessoire). Raccordez le flexible d'aspiration (30) à un aspirateur (accessoire).

L'aspirateur doit être conçu pour le type de matériau à aspirer.

Pour l'aspiration de poussières particulièrement nocives, cancérogènes ou sèches, utilisez un aspirateur spécial.

Utilisation

Réglage de la profondeur de fraisage

► **Ne procédez au réglage de la profondeur de fraisage que quand l'outil électroportatif est à l'arrêt.**

- Posez l'outil électroportatif muni de la fraise voulue sur la pièce à fraiser.
- Dévissez à nouveau la vis papillon (12) du berceau (2) pour régler la profondeur de fraisage souhaitée à l'aide de

l'échelle graduée de réglage de profondeur (19) soit à la main, soit avec la vis moletée (3).

- Resserrez la vis papillon (12) du berceau (2).
- Contrôlez la profondeur de fraisage réglée en procédant à un fraisage test et corrigez-la si nécessaire.

Mise en marche

Présélection de la vitesse de rotation

La molette de présélection de vitesse (16) permet de présélectionner la vitesse de rotation requise, même en cours de fonctionnement.

Position de la molette	Vitesse de rotation [tr/min]	
1-2	10 000-14 000	Vitesse lente
3-4	18 000-24 000	Vitesse moyenne
5-6	26 000-30 000	Vitesse élevée

Les valeurs indiquées dans le tableau qui suit sont des valeurs indicatives. La vitesse de rotation nécessaire dépend du type de matériau et des conditions de travail. Elle doit être déterminée lors d'essais pratiques.

Matériau	Diamètre de la fraise [mm]	Position de la molette
Bois dur (hêtre)	4-10	5-6
	12-20	3-4
	> 20	1-2
Bois tendre (pin)	4-10	5-6
	12-20	3-6
	> 20	1-3
Panneaux agglomérés	4-10	3-6
	12-20	2-4
	> 20	1-3
Plastiques	4-15	2-3
	> 15	1-2

Après avoir travaillé à une faible vitesse pendant une période relativement longue, faites tourner quelque temps l'outil électroportatif à vide au régime maximal afin qu'il refroidisse.

Mise en marche/arrêt

Pour **mettre en marche** l'outil électroportatif, placez l'interrupteur Marche/Arrêt (13) sur I.

Pour **éteindre** l'outil électroportatif, placez l'interrupteur Marche/Arrêt (13) sur 0.

Constante électronique

La constante électronique permet de maintenir presque constante la vitesse de rotation en marche à vide et en charge, et assure ainsi une performance régulière.

Instructions d'utilisation

► **Protégez les fraises contre les chocs et les coups.**

- ▶ **Retirez systématiquement la batterie avant toute intervention sur l'outil électroportatif (maintenance, changement d'accessoire, etc.).** Il y a sinon risque de blessure si vous appuyez par mégarde sur l'interrupteur Marche/Arrêt.

Sens de fraisage et processus de fraisage (voir figure E)

- ▶ **Toujours déplacer l'outil électroportatif dans le sens opposé au sens de rotation de la fraise (5) (fraisage en opposition).** En cas de fraisage dans le sens de rotation de la fraise (fraisage en avalant), l'outil électroportatif peut être arraché de votre main.
- ▶ **N'utilisez l'outil électroportatif que lorsque le berceau de fraisage (2) est monté.** La perte de contrôle de l'outil électroportatif peut entraîner des blessures.

Remarque : Tenez compte du fait que la fraise (5) dépasse toujours de la plaque de base (10). N'endommagez ni le gabarit ni la pièce à travailler.

Réglez la profondeur de fraisage souhaitée.

Mettez l'outil électroportatif en marche et approchez-le de l'endroit où vous souhaitez fraiser.

Une fois le fraisage terminé, éteignez l'outil électroportatif.

- ▶ **Ne posez l'outil électroportatif qu'après l'immobilisation complète de la fraise.** Les accessoires de travail qui continuent de tourner peuvent causer des blessures.

Fraisage avec bague de copiage (voir figures F1 – F3)

La bague de copiage (22) permet de reproduire des contours de modèles ou de gabarits sur des pièces.

Sélectionnez la bague de copiage adaptée à l'épaisseur du gabarit ou du modèle. Du fait de la hauteur de dépassement de la bague de copiage, le gabarit doit avoir une épaisseur d'au moins 8 mm (voir figure F1).

- ▶ **Choisissez un diamètre de fraise inférieur au diamètre intérieur de la bague de copiage.**

Desserrez les quatre vis à tête cylindrique se trouvant sur le dessous de la plaque d'assise (9) et enlevez la plaque d'assise.

Insérez la bague de copiage (22) dans la plaque d'assise (voir figure F2).

Revissez sans forcer la plaque d'assise sur la plaque de base (10). La plaque d'assise doit encore pouvoir bouger librement.

Pour que la distance entre le milieu de la fraise et le bord de la bague de copiage soit partout la même, il vous faut si nécessaire corriger le centrage de la bague de copiage par rapport à la plaque d'assise.

- Orientez la plaque d'assise de sorte que la fraise et la bague de copiage soient centrées dans l'évidement de la plaque d'assise (voir figure F3).
- Maintenez la plaque d'assise dans cette position et serrez les vis de fixation.

Pour fraiser avec la bague de copiage (22), procédez comme suit :

- Positionnez l'outil électroportatif avec la bague de copiage (22) contre le gabarit.

- Guidez l'outil électroportatif, avec la bague de copiage en saillie, le long du gabarit en exerçant une pression latérale.

Fraisage de bords ou de profilés (voir figure G)

Pour fraiser des bords ou des profilés sans butée parallèle, la fraise doit être munie d'un tourillon de guidage ou d'un roulement à billes.

Approchez par le côté l'outil électroportatif en marche de la pièce à fraiser, jusqu'à ce que le tourillon ou le roulement à billes de la fraise touche le bord de la pièce.

Déplacez l'outil électroportatif le long du bord de la pièce. Veillez à une position d'appui angulaire correcte. Une pression trop importante risque d'endommager le bord de la pièce.

Fraisage avec butée parallèle (voir figure H)

Pour effectuer des coupes parallèles le long d'un bord, il est possible de monter une butée parallèle (23).

Fixez la butée parallèle (23) au berceau de fraisage (2) avec la vis moletée (4).

Réglez la profondeur de butée souhaitée à l'aide de la vis papillon de butée parallèle (24).

Guidez l'outil électroportatif en marche le long du bord de la pièce avec une vitesse d'avance constante et en exerçant une pression latérale sur la butée parallèle.

Fraisage avec guide coulissant (voir figure I)

Le guide coulissant (25) sert à fraiser des chants avec des fraises sans tourillon de guidage ou roulement à billes.

Fixez le guide coulissant au berceau (2) à l'aide de l'écrou (4).

Guidez l'outil électroportatif le long du bord de la pièce avec une vitesse d'avance constante.

Distance latérale : Pour modifier la quantité de matière à enlever, il est possible de régler la distance latérale entre la pièce et le galet (28) du guide coulissant (25).

Desserrez la vis papillon (26), réglez la distance latérale souhaitée en tournant la vis papillon (27) et resserrez la vis papillon (26).

Hauteur : Réglez la position verticale du guide coulissant en fonction de la fraise utilisée et de l'épaisseur de la pièce.

Desserrez l'écrou (4) du guide coulissant, déplacez le guide dans la position voulue puis resserrez la vis.

Entretien et Service après-vente

Nettoyage et entretien

- ▶ **Retirez systématiquement la batterie avant toute intervention sur l'outil électroportatif (maintenance, changement d'accessoire, etc.).** Il y a sinon risque de blessure si vous appuyez par mégarde sur l'interrupteur Marche/Arrêt.
- ▶ **Tenez toujours propres l'outil électroportatif ainsi que les fentes de ventilation afin d'obtenir un travail impeccable et sûr.**

Service après-vente et conseil utilisateurs

Notre Service après-vente répond à vos questions concernant la réparation et l'entretien de votre produit et les pièces de rechange. Vous trouverez des vues éclatées et des informations sur les pièces de rechange sur le site :

www.bosch-pt.com

L'équipe de conseil utilisateurs Bosch se tient à votre disposition pour répondre à vos questions concernant nos produits et leurs accessoires.

Pour toute demande de renseignement ou toute commande de pièces de rechange, précisez impérativement la référence à 10 chiffres figurant sur l'étiquette signalétique du produit.

Maroc

Robert Bosch Morocco SARL
53, Rue Lieutenant Mahroud Mohamed
20300 Casablanca
Tel. : +212 5 29 31 43 27
E-Mail : sav.outillage@ma.bosch.com

Vous trouverez d'autres adresses du service après-vente sous :

www.bosch-pt.com/serviceaddresses

Transport

Les batteries Lithium-ion recommandées sont soumises à la réglementation relative au transport de matières dangereuses. Pour le transport sur route par l'utilisateur, aucune autre mesure n'a besoin d'être prise.

Lors d'une expédition par un tiers (par ex. transport aérien ou entreprise de transport), des exigences spécifiques doivent être respectées concernant l'emballage et le marquage. Pour la préparation de l'envoi, faites-vous conseiller par un expert en transport de matières dangereuses.

N'expédiez que des accus dont le boîtier n'est pas endommagé. Recouvrez les contacts non protégés et emballez l'accu de manière à ce qu'il ne puisse pas se déplacer dans l'emballage. Veuillez également respecter les réglementations supplémentaires éventuellement en vigueur.

Élimination des déchets



Les outils électroportatifs, les accus ainsi que leurs accessoires et emballages doivent être rapportés dans un centre de recyclage respectueux de l'environnement.



Ne jetez pas les outils électroportatifs et les accus/piles avec les ordures ménagères !

Accus/piles :

Li-ion :

Veuillez respecter les indications se trouvant dans le chapitre Transport (voir « Transport », Page 19).

Português

Instruções de segurança

Instruções gerais de segurança para ferramentas eléctricas

⚠ AVISO

Devem ser lidas todas as indicações de segurança,

instruções, ilustrações e especificações desta ferramenta eléctrica. O desrespeito das instruções apresentadas abaixo poderá resultar em choque eléctrico, incêndio e/ou ferimentos graves.

Guarde bem todas as advertências e instruções para futura referência.

O termo "ferramenta eléctrica" utilizado a seguir nas indicações de advertência, refere-se a ferramentas eléctricas operadas com corrente de rede (com cabo de rede) e a ferramentas eléctricas operadas com acumulador (sem cabo de rede).

Segurança da área de trabalho

- ▶ **Mantenha a sua área de trabalho sempre limpa e bem iluminada.** Desordem ou áreas de trabalho insuficientemente iluminadas podem levar a acidentes.
- ▶ **Não trabalhar com a ferramenta eléctrica em áreas com risco de explosão, nas quais se encontrem líquidos, gases ou pós inflamáveis.** Ferramentas eléctricas produzem faíscas, que podem inflamar pós ou vapores.
- ▶ **Manter crianças e outras pessoas afastadas da ferramenta eléctrica durante a utilização.** No caso de distração é possível que perca o controlo sobre o aparelho.

Segurança eléctrica

- ▶ **A ficha de conexão da ferramenta eléctrica deve caber na tomada. A ficha não deve ser modificada de maneira alguma. Não utilizar uma ficha de adaptação junto com ferramentas eléctricas protegidas por ligação à terra.** Fichas não modificadas e tomadas apropriadas reduzem o risco de um choque eléctrico.
- ▶ **Evitar que o corpo possa entrar em contacto com superfícies ligadas à terra, como tubos, aquecimentos, fogões e frigoríficos.** Há um risco elevado devido a choque eléctrico, se o corpo estiver ligado à terra.
- ▶ **Manter o aparelho afastado de chuva ou humidade.** A infiltração de água numa ferramenta eléctrica aumenta o risco de choque eléctrico.
- ▶ **Não deverá utilizar o cabo para outras finalidades. Nunca utilizar o cabo para transportar a ferramenta eléctrica, para pendurá-la, nem para puxar a ficha da tomada. Manter o cabo afastado do calor, do óleo, de arestas afiadas ou de peças em movimento.** Cabos danificados ou emaranhados aumentam o risco de um choque eléctrico.

- ▶ **Se trabalhar com uma ferramenta eléctrica ao ar livre, só deverá utilizar cabos de extensão apropriados para áreas exteriores.** A utilização de um cabo de extensão apropriado para áreas exteriores reduz o risco de um choque eléctrico.
- ▶ **Se não for possível evitar o funcionamento da ferramenta eléctrica em áreas húmidas, deverá ser utilizado um disjuntor de corrente de avaria.** A utilização de um disjuntor de corrente de avaria reduz o risco de um choque eléctrico.

Segurança de pessoas

- ▶ **Esteja atento, observe o que está a fazer e tenha prudência ao trabalhar com a ferramenta eléctrica. Não utilizar uma ferramenta eléctrica quando estiver fatigado ou sob a influência de drogas, álcool ou medicamentos.** Um momento de descuido ao utilizar a ferramenta eléctrica, pode levar a lesões graves.
- ▶ **Utilizar equipamento de protecção individual. Utilizar sempre óculos de protecção.** A utilização de equipamento de protecção pessoal, como máscara de protecção contra pó, sapatos de segurança antiderrapantes, capacete de segurança ou protecção auricular, de acordo com o tipo e aplicação da ferramenta eléctrica, reduz o risco de lesões.
- ▶ **Evitar uma colocação em funcionamento involuntária. Assegure-se de que a ferramenta eléctrica esteja desligada, antes de conectá-la à alimentação de rede e/ou ao acumulador, antes de levantá-la ou de transportá-la.** Se tiver o dedo no interruptor ao transportar a ferramenta eléctrica ou se o aparelho for conectado à alimentação de rede enquanto estiver ligado, poderão ocorrer acidentes.
- ▶ **Remover ferramentas de ajuste ou chaves de boca antes de ligar a ferramenta eléctrica.** Uma ferramenta ou chave que se encontre numa parte do aparelho em movimento pode levar a lesões.
- ▶ **Evite uma posição anormal. Mantenha uma posição firme e mantenha sempre o equilíbrio.** Desta forma é mais fácil controlar a ferramenta eléctrica em situações inesperadas.
- ▶ **Usar roupa apropriada. Não usar roupa larga nem jóias. Mantenha os cabelos e roupas afastados de peças em movimento.** Roupas frouxas, cabelos longos ou jóias podem ser agarrados por peças em movimento.
- ▶ **Se for possível montar dispositivos de aspiração ou de recolha, assegure-se de que estejam conectados e utilizados correctamente.** A utilização de uma aspiração de pó pode reduzir o perigo devido ao pó.
- ▶ **Não deixe que a familiaridade resultante de uma utilização frequente de ferramentas permita que você se torne complacente e ignore os princípios de segurança da ferramenta.** Uma acção descuidada pode causar ferimentos graves numa fracção de segundo.

Utilização e manuseio cuidadoso de ferramentas eléctricas

- ▶ **Não sobrecarregue a ferramenta eléctrica. Utilize a ferramenta eléctrica apropriada para o seu trabalho.** É melhor e mais seguro trabalhar com a ferramenta eléctrica apropriada na área de potência indicada.
 - ▶ **Não utilizar uma ferramenta eléctrica com um interruptor defeituoso.** Uma ferramenta eléctrica que não pode mais ser ligada nem desligada, é perigosa e deve ser reparada.
 - ▶ **Puxar a ficha da tomada e/ou remover o acumulador, se amovível, antes de executar ajustes na ferramenta eléctrica, de substituir acessórios ou de guardar as ferramentas eléctricas.** Esta medida de segurança evita o arranque involuntário da ferramenta eléctrica.
 - ▶ **Guardar ferramentas eléctricas não utilizadas fora do alcance de crianças e não permitir que as pessoas que não estejam familiarizadas com o aparelho ou que não tenham lido estas instruções utilizem o aparelho.** Ferramentas eléctricas são perigosas se forem utilizadas por pessoas inexperientes.
 - ▶ **Tratar a ferramenta eléctrica e os acessórios com cuidado. Controlar se as partes móveis do aparelho funcionam perfeitamente e não emperram, e se há peças quebradas ou danificadas que possam prejudicar o funcionamento da ferramenta eléctrica. Permitir que peças danificadas sejam reparadas antes da utilização.** Muitos acidentes têm como causa, a manutenção insuficiente de ferramentas eléctricas.
 - ▶ **Manter as ferramentas de corte afiadas e limpas.** Ferramentas de corte cuidadosamente tratadas e com cantos de corte afiados emperram com menos frequência e podem ser conduzidas com maior facilidade.
 - ▶ **Utilizar a ferramenta eléctrica, acessórios, ferramentas de aplicação, etc. conforme estas instruções. Considerar as condições de trabalho e a tarefa a ser executada.** A utilização de ferramentas eléctricas para outras tarefas a não ser as aplicações previstas, pode levar a situações perigosas.
 - ▶ **Mantenha os punhos e as superfícies de agarrar secas, limpas e livres de óleo e massa consistente.** Punhos e superfícies de agarrar escorregadias não permitem o manuseio e controle seguros da ferramenta em situações inesperadas.
- #### Manuseio e utilização cuidadosos de ferramentas com acumuladores
- ▶ **Só carregar acumuladores em carregadores recomendados pelo fabricante.** Há perigo de incêndio se um carregador apropriado para um certo tipo de acumuladores for utilizado para carregar acumuladores de outros tipos.
 - ▶ **Só utilizar ferramentas eléctricas com os acumuladores apropriados.** A utilização de outros acumuladores pode levar a lesões e perigo de incêndio.
 - ▶ **Manter o acumulador que não está sendo utilizado afastado de cliques, moedas, chaves, parafusos ou**

outros pequenos objectos metálicos que possam causar um curto-circuito dos contactos. Um curto-circuito entre os contactos do acumulador pode ter como consequência queimaduras ou fogo.

- ▶ **No caso de aplicação incorrecta pode vaziar líquido do acumulador. Evitar o contacto. No caso de um contacto accidental, deverá enxaguar com água. Se o líquido entrar em contacto com os olhos, também deverá consultar um médico.** Líquido que escapa do acumulador pode levar a irritações da pele ou a queimaduras.
- ▶ **Não use um acumulador ou uma ferramenta danificada ou modificada.** Os acumuladores danificados ou modificados exibem um comportamento imprevisível podendo causar incêndio, explosão ou risco de lesão.
- ▶ **Não exponha o acumulador ou a ferramenta ao fogo ou temperatura excessiva.** A exposição ao fogo ou a temperaturas acima de 130 °C pode causar explosão.
- ▶ **Siga todas as instruções de carregamento e não carregue o acumulador ou a ferramenta fora da faixa de temperatura especificada no manual de instruções.** Carregar indevidamente ou em temperaturas fora da faixa especificada pode danificar o acumulador e aumentar o risco de incêndio.

Serviço

- ▶ **Só permita que o seu aparelho seja reparado por pessoal especializado e qualificado e só com peças de reposição originais.** Desta forma é assegurado o funcionamento seguro do aparelho.
- ▶ **Nunca tente reparar acumuladores danificados.** A reparação de acumuladores deve ser realizada apenas pelo fabricante ou agentes de assistência autorizados.

Instruções de segurança para minitupias

- ▶ **Use grampos ou outra forma prática para fixar e suportar a peça numa plataforma estável.** Segurar a peça com a mão ou contra o seu corpo deixa-a instável e pode levar à perda de controlo.
- ▶ **O número de rotações admissível da fresa deve ser no mínimo tão alto quanto o número de rotações máximo indicado na ferramenta elétrica.** As fresas que rodam mais depressa do que o admissível podem quebrar e ser projetadas.
- ▶ **Fresas ou outros acessórios devem caber exatamente no encadouro da ferramenta (pinça de aperto) da sua ferramenta elétrica.** Ferramentas acopláveis, que não cabem exatamente no encadouro da ferramenta elétrica, giram irregularmente, vibram fortemente e podem levar à perda de controlo.
- ▶ **Só conduzir a ferramenta elétrica no sentido da peça a ser trabalhada quando estiver ligada.** Caso contrário há risco de um contragolpe, se a ferramenta de aplicação se engancha na peça a ser trabalhada.
- ▶ **Nunca passe a fresa por cima de objetos de metal, pregos ou parafusos.** A fresa pode ficar danificada e fazer aumentar as vibrações.

- ▶ **Utilizar detetores apropriados, para encontrar cabos escondidos, ou consulte a companhia elétrica local.** O contacto com cabos elétricos pode provocar fogo e choques elétricos. Danos em tubos de gás podem levar à explosão. A infiltração num cano de água provoca danos materiais.
- ▶ **Não utilize fresas embotadas ou danificadas.** Fresas embotadas ou danificadas causam elevada fricção, podem emperrar e levar a desequilíbrio.
- ▶ **Esperre que a ferramenta elétrica pare completamente, antes de depositá-la.** A ferramenta de aplicação pode emperrar e levar à perda de controlo sobre a ferramenta elétrica.
- ▶ **Em caso de danos e de utilização incorrecta da bateria, podem escapar vapores. A bateria pode incendiar-se ou explodir.** Areje o espaço e procure assistência médica no caso de apresentar queixas. É possível que os vapores irrite as vias respiratórias.
- ▶ **Não abrir o acumulador.** Há risco de um curto-circuito.
- ▶ **Os objetos afiados como, p. ex., pregos ou chaves de fendas, assim como o efeito de forças externas podem danificar o acumulador.** Podem causar um curto-circuito interno e o acumulador pode ficar queimado, deitar fumo, explodir ou sobreaquecer.
- ▶ **Utilize a bateria apenas em produtos do fabricante.** Só assim é que a bateria é protegida contra sobrecarga perigosa.



Proteger a bateria contra calor, p. ex. também contra uma permanente radiação solar, fogo, sujidade, água e humidade. Há risco de explosão ou de um curto-circuito.



Descrição do produto e do serviço



Leia todas as instruções de segurança e instruções. A inobservância das instruções de segurança e das instruções pode causar choque elétrico, incêndio e/ou ferimentos graves.

Respeite as figuras na parte da frente do manual de instruções.

Utilização adequada

A ferramenta elétrica destina-se a fresar e a fresar por cópia, numa base fixa, ranhuras, arestas, perfis e furos oblongos em madeira, plástico e materiais leves.

Componentes ilustrados

A numeração dos componentes ilustrados refere-se à apresentação da ferramenta elétrica na página de esquemas.

- (1) Unidade de acionamento
- (2) Cesto de fresar
- (3) Parafuso serrilhado para cesto de fresar
- (4) Parafuso serrilhado para guia paralela/guias

- (5) Fresa^{a)}
 - (6) Porca de capa com pinça de aperto
 - (7) Pinça de aperto
 - (8) Tecla de bloqueio do veio
 - (9) Placa deslizante
 - (10) Placa de base
 - (11) Adaptador para aspiração de pó
 - (12) Parafuso de orelhas para cesto de fresar
 - (13) Interruptor de ligar/desligar
 - (14) Bateria^{a)}
 - (15) Tecla de desbloqueio da bateria^{a)}
 - (16) Roda da pré-seleção da velocidade de rotação
 - (17) Punho (superfície do punho isolada)
 - (18) Luz de trabalho
 - (19) Escala de ajuste da profundidade de fresagem
 - (20) Encabadouro da ferramenta
 - (21) Chave de bocas (13 mm, 17 mm)
 - (22) Manga de copiar^{a)}
 - (23) Guia paralela
 - (24) Parafuso de orelhas para guia paralela
 - (25) Guias^{a)}
 - (26) Porca de orelhas para fixação do alinhamento horizontal^{a)}
 - (27) Porca de orelhas para alinhamento horizontal da guia^{a)}
 - (28) Rolo de deslize^{a)}
 - (29) Adaptador de aspiração^{a)}
 - (30) Mangueira de aspiração^{a)}
- a) **Acessórios apresentados ou descritos não pertencem ao volume de fornecimento padrão. Todos os acessórios encontram-se no nosso programa de acessórios.**

Dados técnicos

Fresadora de arestas		GLF 18V-8
Número de produto		3 601 FC6 0..
Tensão nominal	V _~	18
Número de rotações em vazio nominal ^{A)}	r.p.m.	10000–30000
Pré-seleção do número de rotação		●
Sistema de eletrónica constante (Constant Electronic)		●
Ligação para aspiração de pó		●
Pinças de aperto compatíveis	mm polegadas	6 / 8 1/4"
Peso ^{B)}	kg	1,5–2,5

Fresadora de arestas		GLF 18V-8
Temperatura ambiente recomendada durante o carregamento	°C	0 ... +35
Temperatura ambiente admissível em funcionamento ^{C)} e durante o armazenamento	°C	-20 ... +50
Baterias recomendadas		GBA 18V... ProCORE18V...
Carregadores recomendados		GAL 18... GAX 18... GAL 36...

A) Medido a 20–25 °C com bateria **ProCORE18V 4.0Ah**.

B) dependendo da bateria utilizada

C) Potência limitada com temperaturas <0 °C

Os valores podem variar em função do produto e estar sujeitos a condições de aplicação e do meio ambiente. Para mais informações consulte www.bosch-professional.com/wac.

Bateria

Bosch vende ferramentas elétricas sem fio também sem bateria. Pode consultar na embalagem se está incluída uma bateria no volume de fornecimento da sua ferramenta elétrica.

Carregar a bateria

► **Utilize apenas os carregadores listados nos dados técnicos.** Só estes carregadores são apropriados para os baterias de lítio utilizadas para a sua ferramenta elétrica.

Nota: devido a normas de transporte internacionais, as baterias de lítio são fornecidas parcialmente carregadas. Para assegurar a completa potência da bateria, a bateria deverá ser carregada completamente antes da primeira utilização.

Colocar a bateria

Insira a bateria carregada no respetivo encaixe, até que esta esteja engatada.

Retirar a bateria

Nota: Só retire a bateria com a ferramenta elétrica desligada.



Para retirar a bateria, pressione a respetiva tecla de desbloqueio e puxe a bateria para fora. **Não empregue força.**

A bateria possui 2 níveis de travamento, que devem evitar, que a bateria caia, caso a tecla de desbloqueio da bateria seja premida por acaso. Enquanto a bateria estiver dentro da ferramenta elétrica, ela é mantida em posição por uma mola.

Indicador do nível de carga da bateria

Nota: Nem todos os tipos de bateria dispõem de um indicador do nível de carga de bateria.

Os LEDs verdes do indicador do nível de carga da bateria indicam o nível de carga da bateria. Por motivos de segurança, a consulta do nível de carga só é possível com a ferramenta elétrica parada.

Prima a tecla para o indicador do nível de carga da bateria  ou  para visualizar o nível de carga. Isto também é possível com a bateria removida.

Se, depois de premir a tecla para o indicador do nível de carga da bateria, não se acender qualquer LED, a bateria tem defeito e tem de ser substituída.

Tipo de bateria GBA 18V...



LED	Capacidade
Luz permanente 3 × verde	60–100 %
Luz permanente 2 × verde	30–60 %
Luz permanente 1 × verde	5–30 %
Luz intermitente 1 × verde	0–5 %

Tipo de bateria ProCORE18V...



LED	Capacidade
Luz permanente 5 × verde	80–100 %
Luz permanente 4 × verde	60–80 %
Luz permanente 3 × verde	40–60 %
Luz permanente 2 × verde	20–40 %
Luz permanente 1 × verde	5–20 %
Luz intermitente 1 × verde	0–5 %

Indicações sobre o manuseio ideal da bateria

Proteger a bateria contra humidade e água.

Armazene a bateria apenas na faixa de temperatura de -20 °C a 50 °C. Por exemplo, não deixe a bateria dentro do automóvel no verão.

Limpar de vez em quando as aberturas de ventilação da bateria com um pincel macio, limpo e seco.

Um tempo de funcionamento reduzido após o carregamento indica que a bateria está gasta e que deve ser substituída.

Observe as indicações sobre a eliminação de forma ecológica.

Montagem

- ▶ **Antes de qualquer trabalho na ferramenta elétrica (p. ex. manutenção, troca de ferramenta, etc.) retire a bateria da mesma.** Há perigo de ferimentos se o interruptor de ligar/desligar for acionado involuntariamente.

Troca de ferramenta

- ▶ **Para colocar e trocar as fresas, é recomendado utilizar luvas de proteção.**

Ferramentas de fresagem originais do vasto programa de acessórios **Bosch** podem ser adquiridas através do seu revendedor especializado.

Desmontar o cesto de fresar (ver figura A)

Antes de se poder colocar uma fresa, tem primeiro de se separar o cesto de fresar **(2)** do motor **(1)**.

Soltar a porca de orelhas **(12)** no cesto de fresar **(2)**.

Remover o motor puxando-o para cima.

Substituir a pinça de aperto (ver figura B)

Consoante a fresa utilizada, tem de substituir a pinça de aperto com porca de capa **(6)** antes de colocar a fresa.

Se já estiver montada a pinça de aperto correta para a sua fresa, siga os passos de trabalho que constam da secção seguinte.

A pinça de aperto tem de assentar na porca de capa com alguma folga. A pinça de aperto com porca de capa **(6)** tem de ser fácil de montar. Se a porca de capa ou a pinça de aperto estiver danificada, substitua a mesma de imediato. Prima e mantenha premida a tecla de bloqueio do veio **(8)**. Se necessário, rode o veio do motor à mão até ficar bloqueado.

Desenrosque a porca de capa **(6)** para a esquerda com a chave de bocas **(21)**.

Solte a tecla de bloqueio do veio .

Nota: opção alternativa para substituir a pinça de aperto (sem acionamento da tecla de bloqueio do veio **(8)**): coloque duas chaves de bocas no veio, para soltar ou apertar a porca de capa **(6)**.

Se necessário, todas as partes a serem montadas devem ser limpas com um pincel macio, ou com ar comprimido, antes da montagem.

Coloque a porca de capa nova no encabadouro **(20)**.

Afrouxar a porca de capa.

- ▶ **Nunca apertar a pinça de aperto com a porca de capa, enquanto não estiver montada uma fresa.** Caso contrário, pode danificar a pinça de aperto.

Colocar a fresa (ver figura C1 - C2)

Dependendo da aplicação, estão disponíveis ferramentas de fresagem de diversos modelos e qualidades.

As fresas de aço de corte rápido de alto rendimento (HSS) são adequadas para o processamento de materiais macios, como p. ex., madeira macia e plástico.

Fresas com gumes de metal duro (HM) são especialmente indicadas para materiais abrasivos e duros, como p. ex. madeira dura e alumínio.

Ferramentas de fresagem originais do vasto programa de acessórios Bosch podem ser adquiridas através do seu revendedor especializado.

Só utilizar ferramentas de fresagem limpas e em perfeitas condições.

Montar o cesto de fresar (ver figura A)

Para fresar é necessário voltar a montar o cesto de fresar (2) no motor (1).

Soltar a porca de orelhas (12) no cesto de fresar (2).

Deslizar o motor (1) para o cesto de fresar (2).

Apertar a porca de orelhas (12) no cesto de fresar (2).

Nota: o parafuso de orelhas (12) e o parafuso serrilhado (3) podem ser trocados um com o outro.

► **Depois da montagem verificar sempre se o motor fica bem assente no cesto de fresar.**

Aspiração de pó/de aparas

Pós de materiais como por exemplo, tintas que contém chumbo, alguns tipos de madeira, minerais e metais, podem ser nocivos à saúde. O contacto ou a inalação dos pós pode provocar reações alérgicas e/ou doenças nas vias respiratórias do utilizador ou das pessoas que se encontrem por perto.

Certos pós, como por exemplo pó de carvalho e faia são considerados como sendo cancerígenos, especialmente quando juntos com substâncias para o tratamento de madeiras (cromato, produtos de proteção da madeira). Material que contém asbesto só deve ser processado por pessoal especializado.

- Se possível deverá usar um dispositivo de aspiração de pó apropriado para o material.
- Assegurar uma boa ventilação do local de trabalho.
- É recomendável usar uma máscara de proteção respiratória com filtro da classe P2.

Observe as diretivas para os materiais a serem processados, vigentes no seu país.

► **Evite a acumulação de pó no local de trabalho.** Pós podem entrar levemente em ignição.

Montar o adaptador de aspiração

Para assegurar uma aspiração otimizada, é necessário que o adaptador de aspiração (29) seja limpo em intervalos regulares.

Ligar a aspiração de pó (ver figura D)

Coloque o adaptador para a aspiração de pó (11) na ferramenta elétrica a partir da frente. Ele encaixa de forma audível. Para retirar segure lateralmente o adaptador (11) e retire-o pela frente.

Insira uma mangueira de aspiração (Ø 35 mm) (30) (acessório) ou um adaptador de aspiração (29) (acessório). Ligue a mangueira de aspiração (30) a um aspirador (acessório).

O aspirador de pó deve ser apropriado para o material a ser trabalhado.

Utilize um aspirador especial para aspirar pó que seja extremamente nocivo à saúde, cancerígeno ou seco.

Funcionamento

Ajustar a profundidade de fresagem

► **O ajuste da profundidade de fresagem só pode ser feito com a ferramenta elétrica desligada.**

- Colocar a ferramenta elétrica com a fresa montada sobre a peça a ser trabalhada.
- Abra novamente o parafuso de orelhas (12) no cesto de fresar (2), para ajustar a profundidade de fresagem desejada com base na escala de ajuste da profundidade de fresagem (19) ou manualmente ou com o parafuso serrilhado (3).
- Feche o parafuso de orelhas (12) no cesto de fresar (2).
- Verifique o ajuste efetuado da profundidade de fresagem mediante uma tentativa prática e se necessário corrija o mesmo.

Colocação em funcionamento

Pré-selecionar o número de rotações

Com a roda de ajuste para pré-seleção do número de rotação (16) pode pré-selecionar o número de rotações necessário mesmo durante a operação.

Posição da roda de ajuste	Número de rotações [r.p.m.]	
1-2	10000-14000	Número de rotações baixo
3-4	18000-24000	Número de rotações médio
5-6	26000-30000	Número de rotações elevado

Os valores representados na tabela seguinte são valores de referência. O número de rotações necessário depende do material e das condições de trabalho e pode ser determinado por tentativas.

Material	Diâmetro da fresa [mm]	Posição da roda de ajuste
Madeira dura (Faia)	4-10	5-6
	12-20	3-4
	> 20	1-2
Madeira macia (Pinheiro)	4-10	5-6
	12-20	3-6
	> 20	1-3
Placas de aglomerado de madeira	4-10	3-6
	12-20	2-4
	> 20	1-3
Plásticos	4-15	2-3
	> 15	1-2

Após um longo período de tempo a trabalhar com um número de rotações reduzido, deve deixar a ferramenta elétrica a funcionar durante algum tempo com o número de rotações máximo em vazio para a arrefecer.

Ligar e desligar

Para **ligar** a ferramenta elétrica, colocar o interruptor de ligar/desligar **(13)** em I.

Para **desligar** a ferramenta elétrica, colocar o interruptor de ligar/desligar **(13)** em 0.

Constant-electronic

A Constant-Electronic mantém o número de rotações durante a marcha em vazio e sob carga quase que constante e assegura um desempenho de trabalho uniforme.

Instruções de trabalho

- ▶ **Proteger as fresas contra golpes e pancadas.**
- ▶ **Antes de qualquer trabalho na ferramenta elétrica (p. ex. manutenção, troca de ferramenta, etc.) retire a bateria da mesma.** Há perigo de ferimentos se o interruptor de ligar/desligar for acionado involuntariamente.

Sentido e processo de fresagem (ver figura E)

- ▶ **A fresagem deve ocorrer sempre no sentido oposto ao da rotação da fresa (5) (sentido contrário).** Se fresar no mesmo sentido da fresa (sentido igual) a ferramenta elétrica pode fugir-lhe da mão.
- ▶ **Utilizar a ferramenta elétrica apenas com o cesto de fresar montado (2).** A perda de controlo sobre a ferramenta elétrica pode causar ferimentos.

Nota: Certifique-se de que a fresa **(5)** está sempre saliente da placa de base **(10)**. Não danificar o escantilhão ou a peça de trabalho.

Ajustar a profundidade de fresagem desejada.

Ligar a ferramenta elétrica e aproximar do local a trabalhar.

Desligar a ferramenta elétrica depois de fresar.

- ▶ **Não depositar a ferramenta elétrica, antes que a fresa esteja completamente parada.** Ferramentas de trabalho em funcionamento de inércia podem causar lesões.

Fresar com manga de copiar (ver figuras F1 – F3)

Com a ajuda da manga de copiar **(22)** é possível transferir contornos de modelos ou escantilhões para as peças.

Selecionar a manga de copiar em função da espessura do escantilhão ou da peça. Devido à altura saliente da manga de copiar, o escantilhão tem de ter uma espessura mínima de 8 mm (ver figura F1).

- ▶ **Escolher uma fresa com um diâmetro inferior ao diâmetro interno da manga de copiar.**

Desenroscar os quatro parafusos de cabeça cilíndrica no lado de baixo da placa deslizante **(9)** e retirar a placa deslizante.

Colocar a manga de copiar **(22)** na placa deslizante (ver figura F2).

Voltar a aparafusar frouxamente a placa deslizante à placa de base **(10)**. Ainda deve ser possível movimentar a placa deslizante sem problemas.

Para que a distância entre o centro da fresa e o rebordo da manga de copiar seja uniforme, é necessário centrar a manga de copiar e a placa deslizante entre elas.

- Alinhar a placa deslizante de forma a que a fresa e a manga de copiar fiquem centradas com a abertura da placa deslizante (ver figura F3).
- Manter a placa deslizante nesta posição e apertar bem os parafusos de fixação.

Para fresar com a manga de copiar **(22)**, proceder da seguinte forma:

- Colocar a ferramenta elétrica com a manga de copiar **(22)** no escantilhão.
- Conduzir a ferramenta elétrica com a manga de copiar saliente, pressionando lateralmente, ao longo do escantilhão.

Fresar arestas ou formas (ver figura G)

Ao fresar arestas ou formas sem limitador paralelo, é necessário que a ferramenta de fresagem esteja equipada com um espigão de guia ou com um rolamento de esferas.

Aproximar a ferramenta elétrica ligada lateralmente da peça, até o espigão de guia ou o rolamento de esferas da fresa assentar na aresta da peça a ser trabalhada.

Conduzir a ferramenta elétrica ao longo da aresta da peça. Assegurar um apoio no ângulo correto. Uma pressão demasiado alta pode danificar a aresta da peça.

Fresar com guia paralela (ver figura H)

Para cortar paralelamente à aresta, é possível montar uma guia paralela **(23)**.

Fixar a guia paralela **(23)** ao cesto de fresar **(2)** com o parafuso serrilhado **(4)**.

Com a porca de orelhas na guia paralela **(24)** ajustar a profundidade de encosto desejada.

Conduzir a ferramenta elétrica ligada com avanço uniforme e pressão lateral ao longo da guia paralela na aresta da peça.

Fresar com guia (ver figura I)

A guia **(25)** destina-se à fresagem de arestas com fresas sem espigão de guia ou rolamento de esferas.

Fixar a guia no cesto de fresar **(2)** com a porca **(4)**.

Conduzir a ferramenta elétrica com avanço uniforme ao longo da aresta da peça.

Distância lateral: Para alterar a quantidade de remoção de material, é possível ajustar a distância lateral entre a peça e o rolete deslizante **(28)** na guia **(25)**.

Soltar a porca de orelhas **(26)**, ajustar a distância lateral desejada rodando a porca de orelhas **(27)** e voltar a apertar a porca de orelhas **(26)**.

Altura: Mediante a fresa utilizada e a espessura da peça a ser trabalhada, ajustar o alinhamento vertical da guia.

Soltar a porca **(4)** na guia, empurrar a guia para a posição desejada e apertar novamente o parafuso.

Manutenção e assistência técnica

Manutenção e limpeza

- ▶ **Antes de qualquer trabalho na ferramenta elétrica (p. ex. manutenção, troca de ferramenta, etc.) retire a bateria da mesma.** Há perigo de ferimentos se o interruptor de ligar/desligar for acionado involuntariamente.
- ▶ **Manter a ferramenta elétrica e as aberturas de ventilação sempre limpas, para trabalhar bem e de forma segura.**

Serviço pós-venda e aconselhamento

O serviço pós-venda responde às suas perguntas a respeito de serviços de reparação e de manutenção do seu produto, assim como das peças sobressalentes. Desenhos explodidos e informações acerca das peças sobressalentes também em: www.bosch-pt.com

A nossa equipa de consultores Bosch esclarece com prazer todas as suas dúvidas a respeito dos nossos produtos e acessórios.

Indique para todas as questões e encomendas de peças sobressalentes a referência de 10 dígitos de acordo com a placa de características do produto.

Brasil

Robert Bosch Ltda. – Divisão de Ferramentas Elétricas
Rodovia Anhanguera, Km 98 - Parque Via Norte
13065-900, CP 1195
Campinas, São Paulo
Tel.: 0800 7045 446
www.bosch.com.br/contato

Encontra outros endereços da assistência técnica em:
www.bosch-pt.com/serviceaddresses

Transporte

As baterias de íons de lítio recomendadas estão sujeitas ao direito de materiais perigosos. As baterias podem ser transportadas na rua pelo utilizador, sem mais obrigações. Na expedição por terceiros (por ex.: transporte aéreo ou expedição), devem ser observadas as especiais exigências quanto à embalagem e à designação. Neste caso é necessário consultar um especialista de materiais perigosos ao preparar a peça a ser trabalhada.

Só enviar baterias se a carcaça não estiver danificada. Colar contactos abertos e embalar a bateria de modo que não possa se movimentar dentro da embalagem. Por favor observe também eventuais diretivas nacionais suplementares.

Eliminação



As ferramentas elétricas, as baterias, os acessórios e as embalagens devem ser enviados a uma reciclagem ecológica de matéria prima.



Não deitar ferramentas elétricas e baterias/pilhas no lixo doméstico!

Baterias/pilhas:

Lítio:

Observar as indicações no capítulo Transporte (ver "Transporte", Página 26).

中文

安全规章

电动工具通用安全警告

警告！

阅读随电动工具提供的所有安全警告、说明、图示和规定。

不遵照以下所列说明会导致电击、着火和/或严重伤害。

保存所有警告和说明书以备查阅。

警告中的术语“电动工具”是指市电驱动（有线）电动工具或电池驱动（无线）电动工具。

工作场地的安全

- ▶ **保持工作场地清洁和明亮。** 杂乱和黑暗的场地会引发事故。
- ▶ **不要在易爆环境，如有易燃液体、气体或粉尘的环境下操作电动工具。** 电动工具产生的火花会点燃粉尘或气体。
- ▶ **操作电动工具时，远离儿童和旁观者。** 注意力不集中会使你失去对工具的控制。

电气安全

- ▶ **电动工具插头必须与插座相配。** 绝不能以任何方式改装插头。需接地的电动工具不能使用任何转换插头。未经改装的插头和相配的插座将降低电击风险。
- ▶ **避免人体接触接地表面，如管道、散热片和冰箱。** 如果你身体接触接地表面会增加电击风险。
- ▶ **不得将电动工具暴露在雨中或潮湿环境中。** 水进入电动工具将增加电击风险。
- ▶ **不得滥用软线。** 绝不能用软线搬运、拉动电动工具或拔出其插头。使软线远离热源、油、锐边或运动部件。受损或缠绕的软线会增加电击风险。
- ▶ **当在户外使用电动工具时，使用适合户外使用的延长线。** 适合户外使用的电线将降低电击风险。
- ▶ **如果无法避免在潮湿的环境中操作电动工具，应使用带有剩余电流装置（RCD）保护的电源。** RCD的使用可降低电击风险。

人身安全

- ▶ **保持警觉，当操作电动工具时关注所从事的操作并保持清醒。** 当你感到疲倦，或在有药物、酒精

或治疗反应时，不要操作电动工具。在操作电动工具时瞬间的疏忽会导致严重人身伤害。

- ▶ **使用个人防护装置。**始终佩戴护目镜。防护装置，诸如适当条件下使用防尘面具、防滑安全鞋、安全帽、听力防护等装置能减少人身伤害。
- ▶ **防止意外起动。**在连接电源和/或电池包、拿起或搬运工具前确保开关处于关断位置。手指放在开关上搬运工具或开关处于接通时通电会导致危险。
- ▶ **在电动工具接通之前，拿掉所有调节钥匙或扳手。**遗留在电动工具旋转零件上的扳手或钥匙会导致人身伤害。
- ▶ **手不要过分伸展。时刻注意立足点和身体平衡。**这样能在意外情况下能更好地控制住电动工具。
- ▶ **着装适当。不要穿宽松衣服或佩戴饰品。**让你的头发和衣服远离运动部件。宽松衣服、佩饰或长发可能会卷入运动部件。
- ▶ **如果提供了与排屑、集尘设备连接用的装置，要确保其连接完好且使用得当。**使用集尘装置可降低尘屑引起的危险。
- ▶ **不要因为频繁使用工具而产生的熟悉感而掉以轻心，忽视工具的安全准则。**某个粗心的动作可能在瞬间导致严重的伤害。

电动工具使用和注意事项

- ▶ **不要勉强使用电动工具，根据用途使用合适的电动工具。**选用合适的按照额定值设计的电动工具会使你工作更有效、更安全。
- ▶ **如果开关不能接通或关断电源，则不能使用该电动工具。**不能通过开关来控制的电动工具是危险的且必须进行修理。
- ▶ **在进行任何调节、更换附件或贮存电动工具之前，必须从电源上拔掉插头和/或卸下电池包（如可拆卸）。**这种防护性的安全措施降低了电动工具意外起动的风险。
- ▶ **将闲置不用的电动工具贮存在儿童所及范围之外，并且不允许不熟悉电动工具和不了解这些说明的人操作电动工具。**电动工具在未经培训的使用者手中是危险的。
- ▶ **维护电动工具及其附件。**检查运动部件是否调整到位或卡住，检查零件破损情况和影响电动工具运行的其他状况。如有损坏，应在使用前修理好电动工具。许多事故是由维护不良的电动工具引发的。
- ▶ **保持切削刀具锋利和清洁。**维护良好地有锋利切削刃的刀具不易卡住而且容易控制。
- ▶ **按照使用说明书，并考虑作业条件和要进行的作业来选择电动工具、附件和工具的刀头等。**将电动工具用于那些与其用途不符的操作可能会导致危险情况。
- ▶ **保持手柄和握持表面干燥、清洁，不得沾有油脂。**在意外的情况下，湿滑的手柄不能保证握持的安全和对工具的控制。

电池式工具使用和注意事项

- ▶ **仅使用生产者规定的充电器充电。**将适用于某种电池包的充电器用到其他电池包时可能会发生着火危险。

- ▶ **仅使用配有专用电池包的电动工具。**使用其他电池包可能会产生伤害和着火危险
- ▶ **当电池包不用时，将它远离其他金属物体，例如回形针、硬币、钥匙、钉子、螺钉或其他小金属物体，以防电池包一端与另一端连接。**电池组端部短路可能会引起燃烧或着火。
- ▶ **在滥用条件下，液体可能会从电池组中溅出；应避免接触。如果意外碰到液体，用水冲洗。如果液体碰到了眼睛，还应寻求医疗帮助。**从电池中溅出的液体可能会发生腐蚀或燃烧。
- ▶ **不要使用损坏或改装过的电池包或工具。**损坏或改装过的电池组可能呈现无法预测的结果，导致着火、爆炸或伤害。
- ▶ **不要将电池包暴露于火或者高温中。**电池包暴露于火或高于130 °C的高温中可能导致爆炸。
- ▶ **遵守所有充电说明，给电池组或工具充电时不要超出说明中规定的温度范围。**错误充电或温度超出规定的范围可能会损坏电池并提高着火的风险。

维修

- ▶ **由专业维修人员使用相同的备件维修电动工具。**这将保证所维修的电动工具的安全。
- ▶ **决不能维修损坏的电池包。**电池包仅能由生产者或其授权的维修服务商进行维修。

修边机安全规章

- ▶ **使用夹具或其他实用方法将工件固定和支撑在稳定的工作台面。**用手或身体固定工件会使工件不稳引起失控。
- ▶ **铣刀的允许转速必须至少等于电动工具上标出的最高转速。**如果铣刀转速比允许的转速更快，铣刀可能会折断和飞出。
- ▶ **铣刀或其他附件必须与您的电动工具的夹头（夹钳）精准配合。**如果切削附件未与电动工具的夹头精准配合，切削附件会旋转不均匀、剧烈震动并可能导致失控。
- ▶ **先开动电动工具后再把工具放置在工件上切割。**如果电动工具被夹在工件中，会有反弹的危险。
- ▶ **铣削时，铣刀不可以接触金属、钉子或螺丝。**如此会损坏铣刀，而且会造成强烈震动。
- ▶ **使用合适的侦测装置侦察隐藏的电线，或者向当地的相关单位寻求支援。**接触电线可能引起火灾并让操作者触电。损坏了瓦斯管会引起爆炸。如果水管被刺穿了会导致财物损失。
- ▶ **不得使用已经变钝或受损的铣刀。**变钝或受损的铣刀导致摩擦力增大，可能会卡住或失去平衡。
- ▶ **等待电动工具完全静止后才能放下机器。**机器上的工具可能在工作中被夹住，而令您无法控制电动工具。
- ▶ **如果充电电池损坏或者未按照规定使用，充电电池中会散发出有毒蒸汽。充电电池可能会燃烧或爆炸。**工作场所必须保持空气流通，如果身体有任何不适必须马上就医。蒸汽会刺激呼吸道。
- ▶ **切勿打开充电电池。**可能造成短路。

- ▶ **钉子、螺丝刀等尖锐物品或外力作用可能会损坏充电电池。** 有可能出现内部短路、蓄电池燃烧、发出烟雾、爆炸或过热。
- ▶ **仅在制造商的产品中使用充电电池。** 这样才能确保充电电池不会过载。



保护充电电池免受高温（例如长期阳光照射）、火焰、脏污、水和湿气的侵害。 有爆炸和短路的危险。



产品和性能说明



请阅读所有安全规章和指示。 不遵照以下警告和说明可能导致电击、着火和/或严重伤害。

请注意本使用说明书开头部分的图示。

按照规定使用

本电动工具适合在木材、塑料和轻型建筑材料上进行修边、铣槽、雕刻、铣长孔以及仿形雕刻的工作。操作时机器必须紧贴在工件表面。

插图上的机件

机件的编号和电动工具详解图上的编号一致。

- (1) 传动单元
- (2) 铣笼
- (3) 铣笼滚花螺栓
- (4) 平行限制器/导向辅助件滚花螺栓
- (5) 铣刀^{a)}
- (6) 带夹钳的锁紧螺母
- (7) 夹钳
- (8) 主轴锁定键
- (9) 滑板
- (10) 底板
- (11) 吸尘器适配器
- (12) 铣笼翼形螺栓
- (13) 起停开关
- (14) 充电电池^{a)}
- (15) 充电电池的解锁按钮^{a)}
- (16) 转速预选调节轮
- (17) 手柄（绝缘握柄）
- (18) 工作灯
- (19) 铣深调节刻度尺
- (20) 工具夹头
- (21) 开口扳手（13毫米、17毫米）
- (22) 仿形套^{a)}
- (23) 平行限制器
- (24) 平行限制器的翼形螺栓
- (25) 导向辅助件^{a)}
- (26) 用于固定水平对齐装置的翼形螺栓^{a)}

(27) 用于水平对齐导向辅助件的翼形螺栓^{a)}

(28) 滑轮^{a)}

(29) 吸尘适配接头^{a)}

(30) 吸尘软管^{a)}

a) 图表或说明上提到的附件，并不包含在基本的供货范围中。本公司的附件清单中有完整的附件供应项目。

技术数据

修边机	GLF 18V-8	
物品代码		3 601 FC6 0..
额定电压	伏特 [≠]	18
额定空载转速 ^{A)}	转/分钟	10000-30000
转速预选		●
恒定电子装置		●
吸尘器的接头		●
兼容的夹钳	毫米	6/8
	英寸	1/4"
重量 ^{B)}	公斤	1.5-2.5
充电时建议的环境温度	摄氏度	0至+35
工作时和存放时允许的环境温度 ^{C)}	摄氏度	-20至+50
推荐的充电电池		GBA 18V... ProCORE18V...
推荐的充电器		GAL 18... GAX 18... GAL 36...

A) 在20-25摄氏度的条件下带充电电池**ProCORE18V 4.0Ah**测得

B) 视所使用的充电电池而定

C) 温度<0摄氏度时功率受限

数值可能因不同产品而异，并且受到应用和环境条件影响。更多信息请参见www.bosch-professional.com/wac。

充电电池

Bosch也销售不带充电电池的充电式电动工具。您可以在包装上查看电动工具的供货范围内是否包含充电电池。

为充电电池充电

- ▶ **请只使用在技术参数中列出的充电器。** 只有这些充电器才适用于本电动工具上的锂离子电池。

提示： 鉴于国际运输规定，锂离子电池在交货时只完成部分充电。首度使用电动工具之前，必须先充足充电电池的电量以确保充电电池的功率。

安装充电电池

将充好电的充电电池推入电池座，直到嵌入。

取出充电电池



提示： 只能在电动工具关闭的情况下取出充电电池。

如需取下充电电池，则请按压解锁按钮，然后拔出充电电池。**在此过程中请勿过度用力。**

充电电池具备双重锁定功能，即使不小心触动了充电电池的解锁按钮，充电电池也不会从机器中掉落下来。只要充电电池安装在电动工具中，就会被弹簧固定在其位置上。

充电电池电量指示灯

提示：并非每种充电电池型号均具备电量指示灯。充电电池电量指示灯的绿色LED灯显示充电电池的电量。基于安全原因，只能在电动工具静止时检查充电电池的电量。

按压充电电量指示灯按键或, 来显示充电电量。也可以在充电电池取下时操作。

如果按压充电电量指示灯按键后没有LED灯亮起，则说明充电电池损坏，必须进行更换。

充电电池型号GBA 18V...



LED	电量
3个绿灯长亮	60-100 %
2个绿灯长亮	30-60 %
1个绿灯长亮	5-30 %
1个绿灯闪烁	0-5 %

充电电池型号ProCORE18V...



LED	电量
5个绿灯长亮	80-100 %
4个绿灯长亮	60-80 %
3个绿灯长亮	40-60 %
2个绿灯长亮	20-40 %
1个绿灯长亮	5-20 %
1个绿灯闪烁	0-5 %

如何正确地使用充电电池

保护充电电池，避免湿气和水分渗入。

充电电池必须储存在-20 °C至50 °C的环境中。夏天不得将充电电池搁置在汽车中。

不时地使用柔软、清洁而且干燥的毛刷清洁充电电池的通气孔。

充电后如果充电电池的使用时间明显缩短，代表充电电池已经损坏，必须更换新的充电电池。

请注意有关作废处理的规定。

安装

- ▶ 对电动工具执行任何操作（比如保养、更换刀具等）前需将充电电池从电动工具中取出。意外操作起停开关可能会造成伤害。

更换工具

- ▶ **安装和更换铣刀时，最好戴上防护手套。**

您可以向您的专业经销商，购买Bosch附件系列中的各式各样博世原厂铣刀。

拆卸铣笼（参见插图A）

装入铣刀前，必须先将铣笼(2)从传动单元(1)上断开。

打开铣笼(2)上的蝶翼螺丝(12)。

向上抽出传动单元。

更换夹钳（参见插图B）

视所使用的铣刀而定，装入铣刀前必须更换带锁紧螺母的夹钳(6)。

如果铣刀匹配的夹钳已经安装好，请遵循以下段落中的工作步骤。

夹钳必须在锁紧螺母中留有一定的间隙。带锁紧螺母的夹钳(6)必须易于安装。如果锁紧螺母或夹钳损坏，必须马上更换。

按压主轴锁定键(8)并按住。必要时手动旋转电机主轴，直至卡止。

用开口扳手(21)逆时针拧下锁紧螺母(6)。

松开主轴锁定键。

提示：另一种夹钳更换方式（不操作主轴锁定键

(8)：将两个扳手的虎口紧贴在轴上，以便松开或拧紧锁紧螺母(6)。

必要时得在安装之前，使用软毛刷子或压缩空气清洁所有的安装部件。

将新锁紧螺母装到工具夹头(20)上。

拧转锁紧螺母，但勿拧紧。

- ▶ **只要还未安装铣刀，就绝不可张紧夹钳和锁紧螺母。**否则会损坏夹钳。

装入铣刀（参见插图C1 - C2）

根据各种用途，本公司提供了不同品质和款式的铣刀。

由高性能高速钢制成（HSS）的铣刀适合加工柔性材料，比如软木和塑料。

由硬质合金（HM）制成的铣刀适合加工硬而耐磨的材料，比如硬木和铝。

您可以向您的专业经销商，购买博世附件系列中的各式各样博世原厂铣刀。

只能安装完好且干净的铣刀。

安装铣笼（参见插图A）

铣削时必须将铣笼(2)再次安装到传动单元(1)上。

打开铣笼(2)上的蝶翼螺丝(12)。

将传动单元(1)推入铣笼(2)。

关闭铣笼(2)上的蝶翼螺丝(12)。

提示：翼形螺栓(12)和滚花螺栓(3)可以互相更换。

- ▶ **安装完毕后务必检查传动单元是否牢牢地装在铣笼中。**

抽吸粉尘/切屑

含铅的颜料以及某些木材、矿物和金属的加工废尘有害健康。机器操作者或者工地附近的人如果接触、吸入这些废尘，可能会有过敏反应或者感染呼

吸道疾病。

某些尘埃（例如加工橡木或山毛榉的废尘）可能致癌，特别是和处理木材的添加剂（例如木材的防腐剂等）结合之后。只有经过专业训练的人才能够加工含石棉的物料。

- 尽可能使用适合物料的吸尘装置。
- 工作场所要保持空气流通。
- 最好佩戴P2滤网等级的口罩。

请留心并遵守贵国和加工物料有关的法规。

► **避免让工作场所堆积过多的尘垢。** 尘埃容易被点燃。

安装吸尘适配接头

为确保最佳的集尘效果，必须定期清洁吸尘适配接头(29)。

连接吸尘器（见图D）

将吸尘器(11)适配器从前面装入电动工具。可以听到卡止声。取下时请抓住适配器(11)一侧，并将其向前拉下。

插入吸尘软管（直径35毫米）(30)（附件）或吸尘适配接头(29)（附件）。将吸尘软管(30)与吸尘器（附件）连接。

根据工件的物料选择合适的吸尘器。

抽吸可能危害健康、可能导致癌症或干燥的废尘时，务必使用特殊的吸尘器。

运行

调整铣深

► **仅允许在电动工具关闭时调整铣深。**

- 把已经装好铣刀的电动工具放在要加工的工件上。
- 重新打开铣笼(2)上的翼形螺栓(12)，以便借助铣深调节刻度尺(19)手动或用滚花螺栓(3)调节所需的铣深。
- 关闭铣笼(2)上的翼形螺栓(12)。
- 先实际尝试一次以检查设定是否正确，必要时进行修正。

投入使用

预选转速

利用转速预选调节轮(16)也可以在运行过程中预选所需的转速。

调节轮的位置	转速 [转/分钟]	
1-2	10000-14000	低转速
3-4	18000-24000	中等转速
5-6	26000-30000	高转速

下表中的值仅供参考。正确的转速必须视工件材料和工作条件而定，唯有实际操作才能够找出最合适的转速。

工件材料	铣刀直径[毫米]	调节轮的位置
硬木（榉木）	4-10	5-6
	12-20	3-4
	> 20	1-2
软木（松木）	4-10	5-6
	12-20	3-6
	> 20	1-3
刨花板	4-10	3-6
	12-20	2-4
	> 20	1-3
塑料	4-15	2-3
	> 15	1-2

使用低转速长时间操作之后，应该让电动工具以最大转速空转一段时间来帮助机器冷却。

启动/关闭

将电源开关(13)调到I来接通电动工具。

将电源开关(13)调到0来关闭电动工具。

恒定电子装置

不论机器处在负载或空载状态，恒定电子装置都能够稳定转速，确保一致的工作效率。

工作提示

- **保护铣刀免受冲撞和敲击。**
- **对电动工具执行任何操作（比如保养、更换刀具等）前需将充电电池从电动工具中取出。** 意外操作起停开关可能会造成伤害。

铣削方向和铣削过程（参见插图E）

► **必须始终沿铣刀(5)的反方向铣削（逆向运行）。** 顺着铣刀的转向（同向运作）铣削电动工具可能从您的手上被扯开。

► **请仅使用安装有铣笼(2)的电动工具。** 如果无法控制电动工具会造成意外伤害。

提示： 请注意，铣刀(5)始终从底座(10)中突出。不可以损坏模板或工件。

设定所需铣深。

开动电动工具并将它靠在待加工的位置上。

铣削完毕后要关闭电动工具。

► **在铣刀完全静止前，不要放下电动工具。** 如果工具仍继续转动，可能造成伤害。

用仿形套铣削（参见插图F1 - F3）

借助仿形套(22)可将样板或模板的轮廓复制到工件上。

根据模具或模板的厚度选择合适的复制套筒。由于仿形套高度突出，模板的最小厚度必须有8 mm（参见插图F1）。

► **铣刀的直径必须小于仿形套的内直径。**

将四个圆柱头螺栓从滑板(9)底面旋出并取下滑板。

将仿形套(22)装入滑板（参见插图F2）。

将滑板再次松散地拧到底座(10)上。滑板必须能够自由转动。

为了确保铣刀中心点到仿形衬套边缘的距离一致，必要时应适度调整，让铣刀位在仿形套的中央。

- 移动滑板让铣刀和仿形套位在滑板开口的正中央（参见插图F3）。
- 让滑板保持在调整好的位置，并拧紧固定螺栓。

用仿形套(22)铣削时请执行以下操作步骤：

- 将电动工具及仿形套(22)放到模板上。
- 沿这模板推进装了仿形套的电动工具。

边缘铣削或形状铣削（参见插图G）

进行修边或雕刻时如果不使用平行挡块，则必须在铣刀上装配导向榫头或滚珠轴承。

把已经开动的电动工具慢慢地移近工件的边缘，至铣刀上的导向榫头或滚珠轴承接触了工件的边缘为止。

接著沿著工件的边缘推动电动工具，电动工具和工件表面的角度要保持直角，不可倾斜。用力过猛可能会损坏工件的边缘。

用平行限制器铣削（参见插图H）

可安装一个平行限制器(23)以便与边缘平行地切割。

借助滚花螺栓(4)将平行限制器(23)固定到铣笼(2)上。

通过平行限制器上的翼形螺栓(24)调节到所需的限位深度。

用力均匀地向前推进已经开动的电动工具。必须紧靠着平行限制器，并沿着工件边缘推动电动工具。

用导向辅助件铣削（参见插图I）

导向辅助件(25)用于使用不带导向榫头或滚珠轴承的铣机铣削边缘的情况。

借助螺母(4)将导向辅助件固定到铣笼(2)上。

沿著工件边缘施力均匀地推进电动工具。

横向间距：可借助导向辅助件(25)调整工件和滑轮(28)之间的横向间距来更改材料去除量。

松开蝶翼螺丝(26)，通过转动蝶翼螺丝(27)来调节所需的横向距离并再次拧紧蝶翼螺丝(26)。

高度：视所使用的铣刀和待加工工件的厚度而定，垂直调整导向辅助件。

松开导向辅助件上的螺母(4)，将导向辅助件推到所需的位置，然后重新拧紧螺栓。

维修和服务

维护和清洁

- ▶ 对电动工具执行任何操作（比如保养、更换刀具等）前需将充电电池从电动工具中取出。意外操作起停开关可能会造成伤害。
- ▶ 电动工具和通气孔必须随时保持清洁，以确保工作效率和工作安全。

客户服务和应用咨询

本公司客户服务处负责回答有关本公司产品的修理、维护和备件的问题。备件的展开图纸和信息也可查看：www.bosch-pt.com
博世应用咨询团队乐于就我们的产品及其附件问题提供帮助。

询问和订购备件时，务必提供机器铭牌上标示的10位数物品代码。

中国大陆

博世电动工具（中国）有限公司

中国 浙江省 杭州市

滨江区 滨康路567号

102/1F 服务中心

邮政编码：310052

电话：(0571)8887 5566 / 5588

传真：(0571)8887 6688 x 5566# / 5588#

电邮：bsc.hz@cn.bosch.com

www.bosch-pt.com.cn

制造商地址：

Robert Bosch Power Tools GmbH

罗伯特·博世电动工具有限公司

70538 Stuttgart / GERMANY

70538 斯图加特 / 德国

其他服务地址请见：

www.bosch-pt.com/serviceaddresses

搬运

所推荐的锂离子充电电池必须符合危险物品法规。使用者无须另外使用保护包装便可以运送该充电电池。

但是如果将它交由第三者运送（例如：寄空运或委托运输公司）则要使用特殊的包装和标示。此时必须向危险物品专家请教有关寄送危险物品的相关事宜。

确定充电电池的外壳未受损后，才可以寄送充电电池。粘好未加盖的触点并包装好充电电池，不可以让充电电池在包装中晃动。必要时也得注意各国有关的法规。

处理废弃物



必须以符合环保的方式，回收再利用损坏的电动工具、充电电池、附件和废弃的包装材料。



不可以把电动工具和充电电池/蓄电池丢入一般的家庭垃圾中！

充电电池/电池：

锂离子：

请注意“搬运”段落中的指示（参见“搬运”，页 31）确认设置。

产品中有害物质的名称及含量

部件名称	有害物质					
	铅 (Pb)	汞 (Hg)	镉 (Cd)	六价铬 (Cr ⁶⁺)	多溴联苯 (PBB)	多溴二苯醚 (PBDE)
外壳的金属部分	○	○	○	○	○	○
外壳的非金属部分	○	○	○	○	○	○
机械传动机构	X	○	○	○	○	○
电机组件	X	○	○	○	○	○
控制组件	X	○	○	○	○	○
附件	○	○	○	○	○	○
配件	○	○	○	○	○	○
连接件	X	○	○	○	○	○
电源线①	○	○	○	○	○	○
电池系统②	X	○	○	○	○	○

本表格依据SJ/T11364的规定编制。

○：表示该有害物质在该部件所有均质材料中的含量均在GB/T 26572规定的限量要求以下。

X：表示该有害物质至少在该部件的某一均质材料中的含量超出GB/T 26572规定的限量要求。且目前业界没有成熟的替代方案，符合欧盟RoHS指令环保要求。

① 适用于采用电源线连接供电的产品。

② 适用于采用充电电池供电的产品。

产品环保使用期限内的使用条件参见产品说明书。

繁體中文

安全注意事項

電動工具一般安全注意事項

警告

請詳讀工作臺及電動工具的所有安全警告與使用說明。若不

遵照以下列出的指示，將可能導致電擊、著火和/或人員重傷。

保存所有警告和說明書以備查閱。

在所有警告中，「電動工具」此一名詞泛指：以市電驅動的（有線）電動工具或是以電池驅動的（無線）電動工具。

工作場地的安全

- ▶ 保持工作場地清潔和明亮。混亂和黑暗的場地會引發事故。
- ▶ 不要在易爆環境，如有易燃液體、氣體或粉塵的環境下操作電動工具。電動工具產生的火花會點燃粉塵或氣體。
- ▶ 讓兒童和旁觀者離開後操作電動工具。注意力不集中會使您失去對工具的控制。

電氣安全

- ▶ 電動工具插頭必須與插座相配。絕不能以任何方式改裝插頭。需接地的電動工具不能使用任何轉換插頭。未經改裝的插頭和相配的插座將減少電擊危險。
- ▶ 避免人體接觸接地表面，如管道、散熱片和冰箱。如果您身體接地會增加電擊危險。
- ▶ 不得將電動工具暴露在雨中或潮濕環境中。水進入電動工具將增加電擊危險。
- ▶ 不得濫用電線。絕不能用電線搬運、拉動電動工具或拔出其插頭。使電線遠離熱源、油、銳利邊緣或移動零件。受損或纏繞的軟線會增加電擊危險。
- ▶ 當在戶外使用電動工具時，使用適合戶外使用的延長線。適合戶外使用的軟線，將減少電擊危險。
- ▶ 如果在潮濕環境下操作電動工具是不可避免的，應使用剩餘電流動作保護器（RCD）。使用RCD可降低電擊危險。

人身安全

- ▶ 保持警覺，當操作電動工具時關注所從事的操作並保持清醒。當您感到疲倦，或在有藥物、酒精或治療反應時，不要操作電動工具。在操作電動工具時瞬間的疏忽會導致嚴重人身傷害。

- ▶ **使用個人防護裝置。始終佩戴護目鏡。**安全裝置，諸如適當條件下使用防塵面具、防滑安全鞋、安全帽、聽力防護等裝置能減少人身傷害。
- ▶ **防止意外起動。確保開關在連接電源和 / 或電池盒、拿起或搬運工具時處於關閉位置。**手指放在已接通電源的開關上或開關處於接通時插入插頭可能會導致危險。
- ▶ **在電動工具接通之前，拿掉所有調節鑰匙或扳手。**遺留在電動工具旋轉零件上的扳手或鑰匙會導致人身傷害。
- ▶ **手不要伸展得太長。時刻注意立足點和身體平衡。**這樣在意外情況下能很好地控制電動工具。
- ▶ **著裝適當。不要穿寬鬆衣服或佩戴飾品。**讓您的衣物及頭髮遠離運動部件。寬鬆衣服、佩飾或長髮可能會捲入運動部件中。
- ▶ **如果提供了與排屑、集塵設備連接用的裝置，要確保他們連接完好且使用得當。**使用這些裝置可減少塵屑引起的危險。
- ▶ **切勿因經常使用工具所累積的熟練感而過度自信，輕忽工具的安全所則。**任何一個魯莽的舉動都可能瞬間造成人員重傷。

電動工具使用和注意事項

- ▶ **不要濫用電動工具，根據用途使用適當的電動工具。**選用適當設計的電動工具會使您工作更有效、更安全。
- ▶ **如果開關不能開啟或關閉工具電源，則不能使用該電動工具。**不能用開關來控制的電動工具是危險的且必須進行修理。
- ▶ **在進行任何調整、更換配件或貯存電動工具之前，必須從電源上拔掉插頭並 / 或取出電池盒。**這種防護性措施將減少工具意外起動的危險。
- ▶ **將閒置不用的電動工具貯存在兒童所及範圍之外，並且不要讓不熟悉電動工具或對這些說明不瞭解的人操作電動工具。**電動工具在未經培訓的用戶手中是危險的。
- ▶ **保養電動工具與配備。**檢查運動件是否調整到位或卡住，檢查零件破損情況和影響電動工具運行的其他狀況。如有損壞，電動工具應在使用前修理好。許多事故由維護不良的電動工具引發。
- ▶ **保持切削刀鋒利和清潔。**保養良好的有鋒利切削刃的刀具不易卡住而且容易控制。
- ▶ **按照使用說明書，考慮作業條件和進行的作業來使用電動工具、配件和工具的刀頭等。**將電動工具用於那些與其用途不符的操作可能會導致危險。
- ▶ **把手及握持區應保持乾燥、潔淨，且不得沾染任何油液或油脂。**易滑脫的把手及握持區將無法讓您在發生意外狀況時安全地抓緊並控制工具。

電池式工具使用和注意事項

- ▶ **只用製造商規定的充電器充電。**將適用於某種電池盒的充電器用到其他電池盒時會發生著火危險。
- ▶ **只有在配有專用電池盒的情況下才使用電動工具。**使用其他電池盒會發生損壞和著火危險。
- ▶ **當電池盒不用時，將它遠離其他金屬物體，例如回形針、硬幣、鑰匙、釘子、螺絲或其他小金屬**

物體，以防一端與另一端連接。電池端部短路會引起燃燒或火災。

- ▶ **在濫用條件下，液體會從電池中濺出；避免接觸。**如果意外碰到了，用水沖洗。如果液體碰到了眼睛，還要尋求醫療幫助。從電池中濺出的液體會發生腐蝕或燃燒。
- ▶ **請勿使用已受損或經改裝的電池盒。**已受損或經改裝的電池組可能出現無法預期的反應，進而導致著火、爆炸或造成人員受傷。
- ▶ **勿讓電池盒或工具靠近火源或暴露於異常溫度環境中。**若是靠近火源或暴露在超過 130 °C 的環境中可能造成爆炸。
- ▶ **請完全遵照所有的充電說明，電池盒或工具的溫度若是超出指示的規定範圍，請勿進行充電。**不當充電或是未在規定的溫度範圍內進行充電，皆可能造成電池損壞並面臨更高的著火風險。

檢修

- ▶ **將您的電動工具送交專業維修人員，必須使用同樣的備件進行更換。**這樣將確保所維修的電動工具的安全性。
- ▶ **請勿自行檢修受損的電池盒。**電池組應交由製造商或是獲得授權的服務供應商來進行檢修。

修邊機安全注意事項

- ▶ **請用夾具或其他可行方式將工件穩固地架在可靠平台上。**用手握持機器或將它貼靠在身上，將無法確實固定其位置而致使失控。
- ▶ **修邊刀的額定速度必須至少等於電動工具上標示的最高轉速。**修邊刀以比其額定速度大的速度運轉，可能發生爆裂和飛濺。
- ▶ **銑刀或其他配件必須精準吻合電動工具的刀具承座（夾頭）。**如果嵌件工具與電動工具的刀具承座之間有餘隙，不僅嵌件工具無法均勻旋轉，轉動時甚至會強烈震動，進而造成機器失控。
- ▶ **先啟動電動工具後再把工具放置在工件上切割。**如果電動工具被夾在工件中，會有反彈的危險。
- ▶ **切勿在金屬物體、釘子或螺釘上方進行銑削。**這麼做會造成銑刀損壞，同時也會造成強烈震動。
- ▶ **使用合適的偵測裝置偵察隱藏的電線，或者向當地的相關單位尋求支援。**接觸電線可能引起火災並讓操作者觸電。若損壞瓦斯管會引起爆炸。如果水管被刺穿會導致財物損失。
- ▶ **切勿使用已變鈍或已受損的銑刀。**變鈍和損壞的銑刀不僅磨擦大，而且容易被夾住和失去平衡。
- ▶ **必須等待電動工具完全靜止後才能將它放下。**嵌件工具可能卡住而使電動工具失控。
- ▶ **如果充電電池損壞了，或者未按照規定使用充電電池，充電電池中會散發出有毒蒸氣。充電電池可能起火或爆炸。**工作場所必須保持空氣流通，如果身體有任何不適必須馬上就醫。充電電池散發的蒸氣會刺激呼吸道。
- ▶ **切勿拆開充電電池。**可能造成短路。
- ▶ **尖銳物品（例如釘子或螺絲起子）或是外力皆有可能造成充電電池損壞。**進而導致內部短路而發生電池起火、冒煙、爆炸或過熱等事故。

- ▶ 僅可在製造商的產品中使用充電電池。如此才可提供過載保護。



保護充電電池免受高溫（例如長期日照）、火焰、污垢、水液和濕氣的侵害。有爆炸及短路之虞。



產品和功率描述



請詳讀所有安全注意事項和指示。如未遵守安全注意事項與指示，可能導致火災、人員遭受電擊及 / 或重傷。

請留意操作說明書中最前面的圖示。

依規定使用機器

本電動工具適合在木材、塑膠和輕質建材上進行修邊、銑槽、雕刻、銑長孔以及仿形雕刻的工作。操作時機器必須緊貼在工件表面。

插圖上的機件

機件的編號和電動工具詳解圖上的編號一致。

- (1) 驅動單元
- (2) 修邊座
- (3) 修邊座的滾花螺栓
- (4) 平行擋塊 / 導軌的滾花螺栓
- (5) 銑刀^{a)}
- (6) 帶有彈式夾環的鎖緊螺母
- (7) 彈式夾環
- (8) 主軸鎖止按鈕
- (9) 滑板
- (10) 底座
- (11) 吸塵裝置轉接頭
- (12) 修邊座的蝶翼螺栓
- (13) 起停開關
- (14) 充電電池^{a)}
- (15) 充電電池解鎖按鈕^{a)}
- (16) 轉速設定轉鈕
- (17) 把手（絕緣握柄）
- (18) 工作燈
- (19) 銑深刻度尺
- (20) 工具夾頭
- (21) 開口扳手（13 mm、17 mm）
- (22) 仿形襯套^{a)}
- (23) 平行擋塊
- (24) 平行擋塊的蝶翼螺栓
- (25) 導向輔助件^{a)}
- (26) 用以保持水平定位的蝶翼螺栓^{a)}
- (27) 用以保持導向輔助件水平定位的蝶翼螺栓^{a)}
- (28) 滑輪^{a)}
- (29) 吸塵轉接頭^{a)}

(30) 吸塵管^{a)}

a) 圖文中提到的配件，並不包含在基本的供貨範圍中。本公司的配件清單中有完整的配件供應項目。

技術性數據

修邊機	GLF 18V-8	
產品機號	3 601 FC6 0..	
額定電壓	V~	18
額定空載轉速 ^{A)}	次 / 分	10000-30000
轉速設定	●	
電子穩定控制系統	●	
吸塵器的接頭	●	
相容的彈式夾環	mm inch	6 / 8 1/4"
重量 ^{B)}	kg	1.5-2.5
充電狀態下的建議環境溫度	°C	0 ... +35
操作狀態下的容許環境溫度 ^{C)} 以及存放狀態下	°C	-20 ... +50
建議使用的充電電池	GBA 18V... ProCORE18V...	
建議使用的充電器	GAL 18... GAX 18... GAL 36...	

A) 於 20-25 °C 配備充電電池 **ProCORE18V 4.0Ah** 時測得。

B) 視所使用的充電蓄電池而定

C) 溫度 <0 °C 時，性能受限

數值可能因產品而異，並受使用條件以及環境條件影響。進一步資訊請見 www.bosch-professional.com/wac。

充電電池

Bosch 亦販售不含充電電池的充電式電動工具。可以從外包裝看出電動工具的供貨範圍是否包括電池。

為充電電池進行充電

- ▶ 只能選用技術性數據裡所列出的充電器。僅有這些充電器適用於電動工具所使用的鋰離子充電電池。

提示：由於國際運輸規定，出貨時鋰離子充電電池已部分充電。初次使用電動工具之前，請先將充電電池充飽電以確保充電電池蓄滿電力。

安裝充電電池

將已充飽電的充電電池推至充電電池固定座內，直到卡緊。

取出充電電池

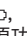
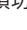
提示：僅可在電動工具關閉時取出充電電池。

若要取出充電電池，請按解鎖鈕，然後將充電電池抽出。不可以強行拉出充電電池。

本充電電池具備了雙重鎖定功能，即使不小心按壓了充電電池解鎖按鈕，充電電池也不會從機器中掉落出來。固定彈簧會把充電電池夾緊在機器中。

充電電池的電量指示器

提示：並非所有的充電電池類型都有電量指示器。充電電池的電量指示器透過綠色 LED 燈告知充電電池的目前電量。基於安全顧慮，務必在電動工具完全靜止時才能檢查充電電池的電量。

按一下電量指示器按鈕  或 ，即可顯示目前的電量。即使已取出充電電池，此項功能仍可正常運作。

按壓電量顯示按鈕後，LED 燈若未亮起，即表示充電電池故障，必須予以更換。

充電電池型號 GBA 18V...



LED	容量
3 顆綠燈持續亮起	60-100 %
2 顆綠燈持續亮起	30-60 %
1 顆綠燈持續亮起	5-30 %
1 顆綠燈呈閃爍狀態	0-5 %

充電電池型號 ProCORE18V...



LED	容量
5 顆綠燈持續亮起	80-100 %
4 顆綠燈持續亮起	60-80 %
3 顆綠燈持續亮起	40-60 %
2 顆綠燈持續亮起	20-40 %
1 顆綠燈持續亮起	5-20 %
1 顆綠燈呈閃爍狀態	0-5 %

如何正確地使用充電電池

妥善保護充電電池，避免濕氣和水分滲入。充電電池必須儲存在 -20°C 至 50°C 的環境中。夏天不可以把充電電池擱置在汽車中。偶爾用柔軟、乾淨且乾燥的毛刷清潔充電電池的通氣孔。充電後如果充電電池的使用時間明顯縮短，代表充電電池已經損壞，必須更換新的充電電池。請您遵照廢棄物處理相關指示。

安裝

▶ 在電動工具上進行任何作業之前（例如維修，更換工具等等），請將機器中的電池取出。若是不小心觸動起停開關，可能造成人員受傷。

更換工具

▶ 安裝和更換銼刀時，最好戴上防護手套。

您可以向您的專業經銷商，購買 Bosch 配件系列中各式各樣的原廠銼刀。

拆卸銼籠（請參考圖 A）

您必須先將修邊座 (2) 從驅動單元 (1) 上拆掉，這樣才能安裝銼刀。

鬆開銼籠 (2) 上的蝶形螺絲 (12)。

將驅動單元往上拔出。

更換彈式夾環（請參考圖 B）

您必須依照所使用的銼刀，於裝上銼刀之前，更換帶有鎖緊螺母 (6) 的彈式夾環。

銼刀裝好正確的彈式夾環之後，請遵循後續內容採取相關工作步驟。

固定在鎖緊螺母中的彈式夾環必須留有一些間隙。帶有鎖緊螺母的彈式夾環 (6) 必須能輕鬆裝上。鎖緊螺母或彈式夾環若有受損，必須馬上更換。

按壓主軸鎖止按鈕 (8) 不要放開。必要時可直接用手旋轉馬達轉軸，使其位置固定鎖死。

用開口扳手 (21) 沿逆時針方向旋開鎖緊螺母 (6)。

放開主軸鎖止按鈕。

提示：更換彈式夾環的替代選項（無需按下主軸鎖止按鈕 (8)）：使用雙平頭將兩把螺栓扳手放在軸上，以鬆開或旋緊鎖緊螺母 (6)。

必要時得在安裝前，用軟毛刷子或壓縮空氣清潔所有的安裝部件。

請將新的鎖緊螺母裝到工具夾頭 (20) 上。

將鎖緊螺母旋上，但勿鎖緊。

▶ 只要尚未裝上銼刀，就絕對不可透過鎖緊螺母將夾頭鎖緊。否則會造成夾頭損壞。

裝上銼刀（請參考圖 C1 - C2）

根據各種用途，本公司提供了不同品質和款式的銼刀。

高效能快速切削鋼材質的銼刀 (HSS) 適合用來加工軟性材料，例如軟木和塑膠。

採用硬金屬刀頭的銼刀 (HM) 尤其適合用於具磨蝕特性的堅硬材料，例如硬木和鋁合金。

您可以向您的專業經銷商，購買博世配件系列中的各式各樣博世原廠銼刀。

只能安裝完好且乾淨的銼刀。

安裝修邊座（請參考圖 A）

您必須將銼籠 (2) 重新安裝到驅動單元 (1) 上，才能進行銼削。

鬆開銼籠 (2) 上的蝶形螺絲 (12)。

將驅動單元 (1) 推入至銼籠 (2) 裡。

鎖緊銼籠 (2) 上的蝶形螺絲 (12)。

提示：蝶翼螺絲 (12) 和滾花螺絲 (3) 可以互換。

▶ 安裝完畢後務必檢查驅動單元是否牢牢地裝在銼籠中。

吸除廢塵 / 料屑

含鉛顏料、部分木材種類、礦石和金屬的加工廢塵有害健康。機器操作者或施工現場附近的人員如果

接觸、吸入這些廢塵，可能會引發過敏反應或感染呼吸道疾病。

某些塵埃（例如加工橡木或山毛櫸的廢塵）可能致癌，特別是與處理木材的添加劑（例如木材的防腐劑等）結合之後。唯有受過專業訓練的人才能夠進行含石棉物料的加工。

- 儘可能使用適合物料的吸塵裝置。
- 工作場所要保持空氣流通。
- 建議佩戴 P2 過濾等級的口罩。

請留意並遵守貴國的物料加工相關法規。

▶ **避免讓工作場所堆積過多的塵垢。** 塵埃容易被點燃。

安裝吸管接頭

必須定期清潔吸塵轉接頭 (29)，以確保最佳吸塵效果。

連接吸塵裝置 (請參考圖 D)

將吸塵裝置轉接頭 (11) 從前方裝入電動工具中。其卡入時會聽見聲音。若要取下，請從側面抓住轉接頭 (11)，然後將它往前拔出即可。

將吸塵管 (直徑 35 mm) (30) (配件) 或吸塵轉接頭 (29) (配件) 插入。將吸塵管 (30) 與吸塵器連接起來 (配件)。

根據工件材質選擇合適的吸塵器。

收集可能危害健康、可能致癌或乾燥的廢塵時，務必使用特殊吸塵器。

操作

調整銑深

▶ **電動工具必須關閉電源，才能進行銑深調整。**

- 把已裝上銑刀的電動工具放到工件上。
- 重新打開修邊座 (2) 上的蝶翼螺栓 (12)，以用手或使用滾花螺栓 (3) 按照銑深刻度尺 (19) 調整所需的銑削深度。
- 鎖緊修邊座 (2) 上的蝶翼螺栓 (12)。
- 先實際操作以便檢查設定是否正確，必要時請修正設定。

操作機器

設定轉速

利用轉速預設轉鈕 (16)，即使是在工具運作期間，亦可按照需求預設轉速。

轉鈕的位置	轉速 [次 / 分]	
1-2	10000-14000	低轉速
3-4	18000-24000	中轉速
5-6	26000-30000	高轉速

下表中的值僅供參考。合適的轉速會因物料或工作狀況而不同，唯有實際操作才能夠找到最佳設定。

工件物料	銑刀直徑	轉鈕的位置
硬木 (櫟木)	4-10	5-6
	12-20	3-4
	> 20	1-2
軟木 (松)	4-10	5-6
	12-20	3-6
	> 20	1-3
塑合板	4-10	3-6
	12-20	2-4
	> 20	1-3
塑料	4-15	2-3
	> 15	1-2

使用低轉速長期操作之後，應該讓電動工具以最大轉速空轉一段時間來幫助機器冷卻。

啟動 / 關閉

若要開啟電動工具電源，請將起停開關 (13) 移至 I。

若要關閉電動工具電源，請將起停開關 (13) 移至 0。

電子穩定控制系統

不論機器處在負載或空載狀態，恆定電子裝置都能夠穩定轉速，確保一致的工作效率。

作業注意事項

- ▶ **保護銑刀免受沖撞和敲擊。**
- ▶ **在電動工具上進行任何作業之前 (例如維修，更換工具等等)，請將機器中的電池取出。** 若是一不小心觸動起停開關，可能造成人員受傷。

銑削方向和銑削操作 (請參考圖 E)

- ▶ **進行銑削時必須始終與銑刀運轉方向 (5) 保持相反 (反向運作)。** 若是順著銑刀的運轉方向 (同向運作) 銑削，電動工具可能從您的手上被扯開。
- ▶ **必須裝上銑籠 (2)，才可使用電動工具。** 電動工具若是失控，可能導致人員受傷。

提示：請您留意，銑刀 (5) 必須始終突出到底座 (10) 之外。不可損壞模版或工件。

請視需要調整銑削深度。

開啟電動工具電源並將它靠在欲進行加工的位置上。

完成銑削後請關閉電動工具。

- ▶ **工具未完全靜止時，切勿將電動工具放下。** 如果工具仍繼續轉動，可能造成人員受傷。

使用仿形襯套進行銑削 (請參考圖 F1 - F3)

借助仿形襯套 (22) 即可將樣板輪廓或模版移植到工件上。

請根據模版或樣板的厚度，選用合適的仿形襯套。由於會因仿形襯套突出而多出一段高度，因此模版的厚度必須至少達 8 公釐 (請參考圖 F1)。

- ▶ **銑刀直徑必須小於仿形襯套的內直徑。**

請卸下滑板 (9) 底部的四顆圓柱頭螺栓，然後取下滑板。

將仿形襯套 (22) 裝到滑板內 (請參考圖 F2)。

將滑板重新裝回至底座 (10) 上，但不要完全鎖死。滑板必須能夠自由活動。

為了確保銼刀中心點到仿形襯套邊緣的距離一致，必要時得適度調整，讓銼刀位在仿形襯套和滑板的中央。

- 校正滑板的位置，讓銼刀和仿形襯套位在滑板開口的正中央 (請參考圖 F3)。
- 讓滑板保持在調整好的位置，並旋緊固定螺栓。

若要使用仿形襯套 (22) 進行銼削，執行步驟如下：

- 將已裝好仿形襯套 (22) 的電動工具靠在模版上。
- 往側邊施壓，讓已裝上仿形襯套的電動工具沿著模版推進。

修邊銼削或雕刻銼削 (請參考圖 G)

進行修邊或雕刻時如果不使用平行擋塊，則銼刀上必須有導向桿頭或滾珠軸承。

將已啟動的電動工具慢慢地移近工件的邊緣，直到銼刀上的導向桿頭或滾珠軸承觸及工件邊緣為止。然後沿著工件的邊緣推動電動工具。電動工具和工件表面之間要保持直角，不可傾斜。推進機器時如果用力過猛可能造成工件邊緣損壞。

使用平行擋塊進行銼削 (請參考圖 H)

進行平行修邊切削時，可裝上平行擋塊 (23)。利用滾花螺栓 (4) 將平行擋塊 (23) 固定在修邊座 (2) 上。

請利用平行擋塊上的蝶翼螺栓 (24) 將擋塊調整至所需深度。

將已啟動的電動工具用力均勻地向前推進。必須緊靠著平行擋塊，並沿著工件邊緣移動電動工具。

使用導向輔助件進行銼削 (請參考圖 I)

導向輔助件 (25) 可讓您使用無導向桿頭或滾珠軸承的銼刀進行修邊銼削。

利用螺母 (4) 將導向輔助件固定至銼籠 (2) 上。

將電動工具沿著工件邊緣施力均勻地推進。

橫向間距：若要更改材料去除量，您可調整導向輔助件 (25) 上工件與滑輪 (28) 之間的橫向間距。

鬆開蝶形螺絲 (26)，藉由旋轉蝶形螺絲 (27) 調整至所需的橫向間距，接著再將蝶形螺絲 (26) 重新旋緊。

高度：請根據您所使用的銼刀以及待加工工件的厚度，調整導向輔助件的垂直定位。

鬆開導向輔助件上的螺母 (4)，將導向輔助件推挪至所需位置，然後再將螺栓重新旋緊。

維修和服務

維修和清潔

- ▶ 在電動工具上進行任何作業之前 (例如維修，更換工具等等)，請將機器中的電池取出。若是不小心觸動起停開關，可能造成人員受傷。
- ▶ 電動工具和通風口都必須保持清潔，這樣才能夠提高工作品質和安全性。

顧客服務處和顧客諮詢中心

本公司顧客服務處負責回答有關本公司產品的維修、維護和備用零件的問題。以下的網頁中有分解圖和備用零件相關資料：www.bosch-pt.com

如果對本公司產品及其配件有任何疑问，博世應用諮詢小組很樂意為您提供協助。

當您需要諮詢或訂購備用零件時，請務必提供本產品型號銘牌上 10 位數的產品機號。

台灣進口商

台灣羅伯特博世股份有限公司

建國北路一段90號6樓

台北市10491

電話: (02) 7734 2588

傳真: (02) 2516 1176

www.bosch-pt.com.tw

製造商地址:

Robert Bosch Power Tools GmbH

羅伯特·博世電動工具有限公司

70538 Stuttgart / GERMANY

70538 斯圖加特/德國

以下更多客戶服務處地址:

www.bosch-pt.com/serviceaddresses

搬運

建議使用的鋰離子充電電池受危險物品法的規範。使用者無須另外使用保護包裝便可運送該充電電池。

但是如果將它交由第三者運送 (例如：寄空運或委託運輸公司)，則應遵照包裝與標示的相關要求。此時必須向危險物品專家請教有關寄送危險物品的相關事宜。

確定充電電池的外殼未受損後，才可以寄送充電電池。用膠帶貼住裸露的接點並妥善包裝充電電池，不可以讓充電電池在包裝材料中晃動。同時也應留意各國相關法規。

廢棄物處理



必須以符合環保的方式，將損壞的電動工具、充電電池、配件和包裝材料進行回收再利用。



不可以把電動工具和充電電池 / 拋棄式電池丟入一般家庭垃圾中!

充電電池 / 拋棄式電池:

鋰離子:

請注意「搬運」段落中的指示 (參見「搬運」, 頁 37)。

ไทย

คำเตือนเพื่อความปลอดภัย

คำเตือนเพื่อความปลอดภัยทั่วไปสำหรับเครื่องมือไฟฟ้า

คำเตือน

อ่านคำเตือนเพื่อความปลอดภัย คำแนะนำ สภาพประกอบ และข้อมูล

จำเพาะทั้งหมดที่จัดส่งมาพร้อมกับเครื่องมือไฟฟ้า

การไม่ปฏิบัติตามคำแนะนำทั้งหมดที่ระบุไว้ด้านล่างนี้อาจทำให้ถูกไฟฟ้าดูด เกิดไฟไหม้ และ/หรือได้รับบาดเจ็บอย่างร้ายแรง

เก็บรักษาคำเตือนและคำสั่งทั้งหมดสำหรับเปิดอ่านในภายหลัง

คำว่า "เครื่องมือไฟฟ้า" ในคำเตือนหมายถึง เครื่องมือไฟฟ้าของท่านที่ทำงานด้วยพลังงานไฟฟ้าจากแหล่งจ่ายไฟหลัก (มีสายไฟฟ้า) และเครื่องมือไฟฟ้าที่ทำงานด้วยพลังงานไฟฟ้าจากแบตเตอรี่ (ไร้สาย)

ความปลอดภัยในสถานที่ทำงาน

- ▶ รักษาสถานที่ทำงานให้สะอาดและมีไฟส่องสว่างดี สถานที่ที่มีมืดหรือรกรุงรังนำมาซึ่งอุบัติเหตุ
- ▶ อย่าใช้เครื่องมือไฟฟ้าทำงานในสภาพบรรยากาศที่จุดติดไฟได้ เช่น ในที่มีขี้ของเหลวไวไฟ ก๊าซ หรือฝุ่น เมื่อใช้เครื่องมือไฟฟ้าจะเกิดประกายไฟซึ่งอาจจุดฝุ่นหรือไอให้ลุกเป็นไฟได้
- ▶ ขณะใช้เครื่องมือไฟฟ้าทำงาน ต้องกั้นเด็กและผู้ยืนดูให้ออกห่าง การหันเหความสนใจอาจทำให้ท่านขาดการควบคุมเครื่องได้

ความปลอดภัยเกี่ยวกับไฟฟ้า

- ▶ ปลั๊กของเครื่องมือไฟฟ้าต้องเหมาะสมพอดีกับเต้าเสียบ อย่าดัดแปลงปลั๊กไม่ว่าในลักษณะใดๆ อย่างเด็ดขาด อย่าใช้ปลั๊กฟิวส์ต่อใดๆ กับเครื่องมือไฟฟ้าที่มีสายดิน ปลั๊กที่ไม่ดัดแปลงและเต้าเสียบที่เข้ากันช่วยลดความเสี่ยงจากการถูกไฟฟ้าดูด
- ▶ หลีกเลี่ยงอย่าให้ร่างกายสัมผัสกับพื้นผิวที่ต่อสายดินหรือลงกราวด์ไว้ เช่น ท่อ เครื่องทำความร้อน เตา และตู้เย็น จะเสี่ยงอันตรายจากการถูกไฟฟ้าดูดมากขึ้นหากกระแสไฟฟ้าวิ่งผ่านร่างกายของท่านลงดิน
- ▶ อย่าให้เครื่องมือไฟฟ้าถูกฝนหรืออยู่ในสภาพเปียกชื้น หากนำเข้าไปในเครื่องมือไฟฟ้า จะเพิ่มความเสี่ยงจากการถูกไฟฟ้าดูด
- ▶ อย่าใช้สายไฟฟ้าในทางที่ผิด อย่าใช้สายไฟฟ้าเพื่อยก ดึง หรือถอยปลั๊กเครื่องมือไฟฟ้า กับสายไฟที่ออกห่างจากความร้อน น้ำมัน ขอบแหลมคม หรือชิ้นส่วนที่เคลื่อนที่ สายไฟฟ้าที่ชำรุดหรือพันกันยุ่งเพิ่มความเสี่ยงจากการถูกไฟฟ้าดูด
- ▶ เมื่อใช้เครื่องมือไฟฟ้าทำงานกลางแจ้ง ให้ใช้สายไฟต่อที่เหมาะสมสำหรับการใช้งานกลางแจ้ง การใช้สายไฟ

ต่อที่เหมาะสมสำหรับงานกลางแจ้ง ช่วยลดอันตรายจากการถูกไฟฟ้าดูด

- ▶ หากไม่สามารถหลีกเลี่ยงการใช้เครื่องมือไฟฟ้าทำงานในสถานที่เปียกชื้นได้ ให้ใช้สวิทช์ตัดวงจรเมื่อเกิดการรั่วไหลของไฟฟ้าจากสายดิน (RCD) การใช้สวิทช์ตัดวงจรเมื่อเกิดการรั่วไหลของไฟฟ้าจากสายดินช่วยลดความเสี่ยงต่อการถูกไฟฟ้าดูด

ความปลอดภัยของบุคคล

- ▶ ท่านต้องอยู่ในสภาพเตรียมพร้อม ระมัดระวังในสิ่งที่ท่านกำลังทำอยู่ และมีสติขณะใช้เครื่องมือไฟฟ้าทำงาน อย่าใช้เครื่องมือไฟฟ้าขณะที่ท่านกำลังเหนื่อย หรืออยู่ภายใต้การครอบงำของฤทธิ์ของยาเสพติด แอลกอฮอล์ และยา เมื่อใช้เครื่องมือไฟฟ้าทำงาน ในช่วงเวลาที่ท่านขาดความเอาใจใส่อาจทำให้บุคคลบาดเจ็บอย่างรุนแรงได้
 - ▶ ใช้อุปกรณ์ปกป้องร่างกาย สวมแว่นตานิรภัยกันแสง อุปกรณ์ปกป้อง เช่น หน้ากากกันฝุ่น รองเท้ากันลื่น หมวกแข็ง หรือประภทกันเสียงดังที่ใช้ตามความเหมาะสมกับสภาพการทำงาน จะลดการบาดเจ็บทางร่างกาย
 - ▶ ป้องกันการติดเครื่องโดยไม่ตั้งใจ ตรวจสอบให้แน่ใจว่าสวิทช์อยู่ในตำแหน่งปิดก่อนเชื่อมต่อเข้ากับแหล่งจ่ายไฟ และ/หรือแบตเตอรี่แพ็ค ยกหรือถือเครื่องมือ การถือเครื่องมือโดยใช้นิ้วหัวที่สวิทช์ หรือเสียบปลั๊กไฟฟ้าขณะสวิทช์เปิดอยู่ อาจนำไปสู่อุบัติเหตุที่ร้ายแรงได้
 - ▶ นำเครื่องมือปรับแต่งหรือประแจปากคายนอกก่อนเปิดสวิทช์เครื่องมือไฟฟ้า เครื่องมือหรือประแจปากคายนอนอยู่กับส่วนของเครื่องมือที่กำลังหมุนจะทำให้บุคคลบาดเจ็บได้
 - ▶ อย่าเอื้อมไกลเกินไป ตั้งท้ายที่นั่งคนและวางน้ำหนักให้สมดุลตลอดเวลา ในลักษณะนี้ท่านสามารถควบคุมเครื่องมือไฟฟ้าในสถานการณ์ที่ไม่คาดคิดได้ดีกว่า
 - ▶ แต่งกายอย่างเหมาะสม อย่าใส่เสื้อผ้าหลวมหรือสวมเครื่องประดับ เหน็บและเสื้อผาออกจากชิ้นส่วนที่เคลื่อนที่ เสื้อผาหลวม เครื่องประดับ และผมยาวอาจเข้าไปติดในชิ้นส่วนที่เคลื่อนที่
 - ▶ หากเครื่องมือไฟฟ้ามีข้อเชื่อมต่อกับเครื่องดูดฝุ่นหรือเครื่องเก็บผง ให้ตรวจสอบให้แน่ใจว่าได้เชื่อมต่อและใช้งานอย่างถูกต้อง การใช้ข้ออุปกรณ์ดูดฝุ่นช่วยลดอันตรายที่เกิดจากฝุ่นได้
 - ▶ เมื่อใช้งานเครื่องมือบ่อยครั้งจะเกิดความคุ้นเคย อย่าให้ความคุ้นเคยทำให้ท่านเกิดความซื่อเลอะและละเลยกฎเกณฑ์ด้านความปลอดภัยในการใช้งานเครื่อง การทำงานอย่างไม่ระมัดระวังอาจทำให้เกิดการบาดเจ็บอย่างร้ายแรงภายในเสี้ยววินาที
- การใช้และการดูแลรักษาเครื่องมือไฟฟ้า**
- ▶ อย่างพินกำลังเครื่องมือไฟฟ้า ใช้เครื่องมือไฟฟ้าที่ถูกต้องตรงตามลักษณะงานของท่าน เครื่องมือไฟฟ้าที่ถูกต้องจะทำงานได้ดีกว่าและปลอดภัยกว่าในระดับสมรรถภาพที่ออกแบบไว้
 - ▶ อย่าใช้เครื่องมือไฟฟ้าถ้าสวิทช์ไม่สามารถเปิดปิดได้ เครื่องมือไฟฟ้าที่ไม่สามารถควบคุมการเปิดปิดด้วยสวิทช์ได้ เป็นเครื่องมือไฟฟ้าที่ไม่ปลอดภัยและต้องส่งซ่อมแซม

- ▶ ก่อนปรับแต่งเครื่อง เปลี่ยนอุปกรณ์ประกอบ หรือเก็บเครื่องเข่าที่ ต้องถอดปลั๊กออกจากแหล่งจ่ายไฟ และ/หรือ ถอดแบตเตอรี่แพ็คเกจออกจากเครื่องมือไฟฟ้าหากถอดออกได้ มาตรวจการบร้งกันเพื่อความปลอดภัยด้วยวิธีช่วยลดความเสี่ยงจากการติดเครื่องโดยไม่ตั้งใจ
- ▶ เมื่อเลิกใช้งานเครื่องมือไฟฟ้า ให้เก็บเครื่องมือในที่ที่เด็กหยิบไม่ถึง และไม่อนุญาตให้บุคคลที่ไม่คุ้นเคยกับเครื่องมือบุคคลที่ไม่ได้อ่านคำแนะนำนำเหล่านี้ใช้เครื่อง เครื่องมือไฟฟ้าเป็นของอันตรายหากตกอยู่ในมือของผู้ใช้ที่ไม่ได้รับการฝึกฝน
- ▶ บำรุงรักษาเครื่องมือไฟฟ้าและอุปกรณ์ประกอบ ตรวจสอบชิ้นส่วนที่เคลื่อนที่ที่วาง ไม่ตรงแนวหรือติดขัดหรือไม่ ตรวจสอบการแตกหักของชิ้นส่วนและสภาพอื่นใดที่อาจมีผลต่อการทำงานของเครื่องมือไฟฟ้า หากชำรุดต้องส่งเครื่องมือไฟฟ้าไปซ่อมแซมก่อนใช้งาน อุบัติเหตุหลายอย่างเกิดขึ้นเนื่องจากดูแลรักษาเครื่องไม่ดีพอ
- ▶ รักษาเครื่องมือตัดให้คมและสะอาด หากบำรุงรักษาเครื่องมือที่มีขอบตัดแหลมคมอย่างถูกต้อง จะสามารถตัดได้ลื่นไม่ติดขัดและควบคุมได้ง่ายกว่า
- ▶ ใช้เครื่องมือไฟฟ้า อุปกรณ์ประกอบ เครื่องมือ และอุปกรณ์อื่นๆ ตรงตามคำแนะนำเหล่านี้ โดยคำนึงถึงเงื่อนไขการทำงานและงานที่จะทำ การใช้เครื่องมือไฟฟ้าทำงานที่ต่างไปจากวัตถุประสงค์การใช้งานของเครื่อง อาจนำไปสู่สถานการณ์ที่เป็นอันตรายได้
- ▶ ดูแลคัมจับและพื้นผิวจับให้แห้ง สะอาด และปราศจากคราบไขมันและจาระบี ตามจับและพื้นผิวจับที่ลื่นทำให้หยิบจับได้ไม่ปลอดภัย และไม่สามารถควบคุมเครื่องมือในสถานการณ์ที่ไม่คาดคิด

การใช้และการดูแลรักษาเครื่องที่ใช้แบตเตอรี่

- ▶ ชาร์จไฟใหม่ด้วยเครื่องชาร์จที่บริษัทผู้ผลิตระบุไว้เท่านั้น เครื่องชาร์จที่เหมาะสมสำหรับชาร์จแบตเตอรี่แพ็คเกจประเภทนี้ หากนำไปชาร์จแบตเตอรี่แพ็คเกจประเภทอื่น อาจเกิดไฟไหม้ได้
- ▶ ใช้เครื่องมือไฟฟ้าเฉพาะกับแบตเตอรี่แพ็คเกจที่กำหนดไว้เท่านั้น การใช้แบตเตอรี่แพ็คเกจอื่นเสี่ยงต่อการเกิดไฟไหม้หรือบาดเจ็บ
- ▶ เมื่อไม่ใช้งานแบตเตอรี่แพ็คเกจ ให้เก็บไว้ห่างวัตถุที่เป็นโลหะอื่นๆ เช่น คลิปหนีบกระดาษ เหรียญ กุญแจ ตะปู สกรู หรือวัตถุที่เป็นโลหะขนาดเล็กอื่นๆ ที่สามารถเชื่อมต่อขั้วหนึ่งไปยังอีกขั้วหนึ่งได้ การลัดวงจรของขั้วแบตเตอรี่อาจทำให้เกิดการไหม้หรือไฟลุกได้
- ▶ หากใช้แบตเตอรี่อย่างอาจมีของเหลวไหลออกมาจากแบตเตอรี่ได้ ให้หลีกเลี่ยงการสัมผัส หากสัมผัสโดยบังเอิญให้ใช้น้ำล้าง หากของเหลวเข้าตา ให้ขอความช่วยเหลือจากแพทย์ด้วย ของเหลวที่ไหลออกมาจากแบตเตอรี่อาจทำให้เกิดอาการคันหรือแสบผิวหนังได้
- ▶ อย่าใช้แบตเตอรี่แพ็คเกจหรือเครื่องมือที่ชำรุดหรือตัดแปลงแบตเตอรี่ที่ชำรุดหรือตัดแปลงอาจแสดงอาการที่ไม่สามารถคาดเดาได้ ส่งผลให้เกิดไฟไหม้ ระเบิด หรือความเสี่ยงต่อการได้รับบาดเจ็บ

- ▶ อย่าให้แบตเตอรี่แพ็คเกจหรือเครื่องมือสัมผัสไฟหรืออุณหภูมิที่สูงเกินไป หากสัมผัสไฟหรืออุณหภูมิที่สูงกว่า 130 °C อาจทำให้เกิดการระเบิดได้
- ▶ ปฏิบัติตามคำแนะนำเกี่ยวกับการชาร์จทั้งหมด และต้องไม่ชาร์จแบตเตอรี่แพ็คเกจหรือเครื่องมือ นอกช่วงอุณหภูมิที่กำหนดในคำแนะนำ การชาร์จแบตเตอรี่หรือวางไม่ถูกวิธีหรือชาร์จนอกช่วงอุณหภูมิที่กำหนด อาจทำให้แบตเตอรี่เสียหายและเพิ่มความเสี่ยงต่อการเกิดไฟไหม้

การบริการ

- ▶ ส่งเครื่องมือไฟฟ้าของท่านเข้ารับบริการจากช่างซ่อมที่มีคุณสมบัติเหมาะสม โดยใส่อะไหล่ที่เหมือนกันเท่านั้น ในลักษณะนี้ท่านจะแน่ใจได้ว่าเครื่องมือไฟฟ้าอยู่ในสภาพที่ปลอดภัย
- ▶ อย่าบำรุงรักษาแบตเตอรี่แพ็คเกจที่ชำรุดอย่างเด็ดขาด ต้องส่งไปบริษัทผู้ผลิตหรือศูนย์บริการที่ได้รับอนุญาตทำการบำรุงรักษาแบตเตอรี่แพ็คเกจเท่านั้น

คำเตือนเพื่อความปลอดภัยสำหรับทริเมอร์เก็บขอบ

- ▶ ใช้เครื่องมือหรือวิธีอื่นที่ได้ผลเพื่อยึดและทวนชิ้นงานกับพื้นที่มั่นคง การใช้มือจับชิ้นงานหรือยืนไว้กับร่างกายจะไม่มั่นคง และอาจทำให้สูญเสียการควบคุม
- ▶ ความเร็วรอบที่อนุญาตของเครื่องมือเข่าอย่างน้อยที่สุดต้องสูงเท่ากับความเร็วรอบสูงสุดที่ระบุไว้บนเครื่องมือไฟฟ้า เครื่องมือเข่าที่หมุนเร็วกว่าความเร็วรอบกำหนดของตัวนี้อาจจะเดินออกเป็นชิ้นๆ
- ▶ เครื่องมือเข่าหรืออุปกรณ์ประกอบอื่นๆ ต้องประกอบเข้าในตามจับเครื่องมือ (แนวรัศมีด้านเครื่องมือ) ของเครื่องมือไฟฟ้าของท่านได้อย่างพอดี เครื่องมือที่ไม่สามารถใส่เข้าในตามจับเครื่องมือของเครื่องมือไฟฟ้าได้อย่างพอดี จะหมุนไม่สม่ำเสมอ สั่นตัวมาก และอาจทำให้สูญเสียการควบคุมได้
- ▶ จับเครื่องมือไฟฟ้าเข้าทำงานเมื่อเครื่องเปิดสวิตช์อยู่เท่านั้น มิฉะนั้นอาจได้รับอันตรายจากการตีกลับหากเครื่องมือติดติดขัดอยู่ในชิ้นงาน
- ▶ อย่าเข่าบนวัสดุที่เป็นโลหะ ตะปู หรือสกรู อย่างเด็ดขาด เครื่องมือเข่าอาจเสียหายและทำให้สั่นตัวมากยิ่งขึ้น
- ▶ ใช้เครื่องตรวจจับที่เหมาะสมเพื่อตรวจหาสายไฟฟ้าหรือท่อสาธารณูปโภคที่อาจซ่อนอยู่ในบริเวณทำงาน หรือติดต่อบริษัทสาธารณูปโภคในพื้นที่เพื่อขอความช่วยเหลือ การสัมผัสกับสายไฟฟ้าอาจทำให้เกิดไฟไหม้หรือถูกไฟฟ้าดูด การทำให้ออกแก๊สเสียหายอาจทำให้เกิดระเบิด การเจาะเขาในท่อน้ำ ทำให้ทรัพย์สินเสียหาย
- ▶ อย่าใช้เครื่องมือเข่าที่ถือหรือชำรุด เครื่องมือเข่าที่ถือหรือชำรุดทำให้เกิดแรงเสียดทานมากขึ้น อาจทำให้เกิดการติดขัดและนำไปสู่ความไม่สมดุล
- ▶ รอให้เครื่องมือไฟฟ้าหยุดสนิทก่อนวางเครื่องลงบนพื้น เครื่องมือที่ใส่อยู่อาจติดขัดและทำให้สูญเสียการควบคุมเครื่องมือไฟฟ้า
- ▶ เมื่อแบตเตอรี่ชำรุดและนำไปใช้งานอย่างไม่ถูกต้องอาจมีไอระเหยออกมาได้ แบตเตอรี่อาจเผาไหม้หรือระเบิดได้ให้

อุตสาหกรรมบริษัทและไปพบแพทย์ในกรณีเจ็บปวด
โอระเหยอาจทำให้ระบบหายใจระคายเคือง

- ▶ **อย่าเปิดแบตเตอรี่** อันตรายจากการลัดวงจร
- ▶ **วัตถุที่แหลมคม ต. ย. เช่น ตะปูหรือไขควง หรือแรงกระทำภายนอก อาจทำให้แบตเตอรี่เสียหายได้** สิ่งเหล่านี้อาจทำให้เกิดการลัดวงจรภายในและแบตเตอรี่ใหม่ มีควันระเบิด หรือร้อนเกินไป
- ▶ **ใช้เฉพาะแบตเตอรี่จากผลิตภัณฑ์ของผู้ผลิต** ในลักษณะนี้ แบตเตอรี่แพ็คจะได้รับการปกป้องจากการใช้งานเกินกำลังซึ่งเป็นอันตราย



ปกป้องแบตเตอรี่จากความร้อน รวมทั้ง ต. ย. เช่น จากการถูกแสงแดดส่องต่อเนื่อง จากไฟลัดสปริง น้ำ และความชื้น อันตรายจากการระเบิดและการลัดวงจร



รายละเอียดผลิตภัณฑ์และข้อมูลจำเพาะ



อ่านคำเตือนเพื่อความปลอดภัยและคำแนะนำทั้งหมด การไม่ปฏิบัติตามคำเตือนและคำสั่งอาจเป็นสาเหตุให้ถูกไฟฟ้าดูด เกิดไฟไหม้ และ/หรือได้รับบาดเจ็บอย่างร้ายแรง

กรุณาดูภาพประกอบในส่วนหน้าของคู่มือการใช้งาน

ประโยชน์การใช้งานของเครื่อง

เครื่องมือไฟฟ้านี้ใช้สำหรับเจาะร่อง ขอบ รูปโครงร่าง และร่องตามยาว และยังใช้สำหรับเจาะสกัดลอกในไม้ พลาสติก และวัสดุก่อสร้างน้ำหนักเบา โดยจับเครื่องวางบนชิ้นงานอย่างมั่นคง

ส่วนประกอบผลิตภัณฑ์

ลำดับเลขของส่วนประกอบผลิตภัณฑ์อ้างอิงถึงส่วนประกอบของเครื่องมือไฟฟ้าที่แสดงในหน้าภาพประกอบ

- (1) มอเตอร์
- (2) ฐานเจาะ
- (3) สกรูขันลายนสำหรับฐานเจาะ
- (4) สกรูขันลายนสำหรับแผงกำหนดแนวขนาน/ตัวช่วยนำทาง
- (5) เครื่องมือเจาะ^{a)}
- (6) น็อตยึดพร้อมแหวนรัดก้านเครื่องมือ
- (7) แหวนรัดก้าน
- (8) มุมล็อคแกน
- (9) แผ่นนำทาง
- (10) แผ่นฐาน
- (11) อะแดปเตอร์สำหรับอุปกรณ์ดูดฝุ่น
- (12) น็อตปีกสำหรับฐานเจาะ
- (13) สวิตช์เปิด/ปิด
- (14) แบตเตอรี่แบบชาร์จได้^{a)}
- (15) แป้นปลดล็อคแบตเตอรี่แบบชาร์จได้^{a)}

- (16) ล้อปรับเลือกความเร็วรอบล่วงหน้า
- (17) ด้ามจับ (พื้นผิวจับหุ้มฉนวน)
- (18) ไฟส่องบริเวณทำงาน
- (19) มาตราส่วนสำหรับปรับความลึกการตัด
- (20) ด้ามจับเครื่องมือ
- (21) ประแจปากตาย (13 มม., 17 มม.)
- (22) ปลอกสวมสำหรับดอกแบบ^{a)}
- (23) แผงกำหนดแนวขนาน
- (24) น็อตปีกสำหรับแผงกำหนดแนวขนาน
- (25) ตัวช่วยนำทาง^{a)}
- (26) สกรูทางปลาสำหรับยึดอุปกรณ์จัดตำแหน่งแนวนอน^{a)}
- (27) สกรูทางปลาสำหรับอุปกรณ์จัดตำแหน่งแนวนอนของตัวช่วยนำทาง^{a)}
- (28) ลูกกลิ้ง^{a)}
- (29) ข้อต่อท่อดูดออก^{a)}
- (30) ท่อดูดฝุ่น^{a)}

a) **อุปกรณ์ประกอบที่แสดงภาพหรืออธิบายไม่รวมอยู่ในการจัดส่งมาตรฐาน กรุณาดูอุปกรณ์ประกอบทั้งหมดในรายการแสดงอุปกรณ์ประกอบของเรา**

ข้อมูลทางเทคนิค

เครื่องเจาะขอบ	GLF 18V-8	
หมายเลขสินค้า	3 601 FC6 0..	
แรงดันไฟฟ้ากัก	โวลต์ ^{ac}	18
ความเร็วรอบเดินเครื่องเปล่าตามมาตรฐาน ^{A)}	นาที ⁻¹	10000-30000
การเลือกความเร็วรอบล่วงหน้า	●	
ระบบอิเล็กทรอนิกส์ที่	●	
การเชื่อมต่อสำหรับการดูดฝุ่นออก	●	
แหวนรัดก้านเครื่องมือที่เข้ากันได้	มม. นิ้ว	6 / 8 1/4"
น้ำหนัก ^{B)}	กก.	1.5-2.5
อุณหภูมิโดยรอบที่แนะนำเมื่อชาร์จ	°C	0 ... +35
อุณหภูมิโดยรอบที่อนุญาตเมื่อใช้งาน ^{C)} และเมื่อจัดเก็บ	°C	-20 ... +50
แบตเตอรี่แบบชาร์จได้ที่แนะนำ	GBA 18V... ProCORE18V...	

เครื่องเจาะขอบ	GLF 18V-8
เครื่องชาร์จที่แนะนำ	GAL 18... GAX 18... GAL 36...

- A) ดำเนินการวัด ณ อุณหภูมิ 20–25 °C พร้อมแบตเตอรี่ ProCORE18V 4.0Ah
- B) ขึ้นอยู่กับแบตเตอรี่แพ็คที่ใช้
- C) สมรรถภาพจะน้อยลงที่อุณหภูมิ < 0 °C

ค่าอาจแตกต่างกันไปตามผลิตภัณฑ์และขึ้นอยู่กับเงื่อนไขด้านการใช้งานและสภาพแวดล้อม โปรดดูข้อมูลเพิ่มเติมที่เว็บไซต์ www.bosch-professional.com/wac

แบตเตอรี่

Bosch จำหน่ายเครื่องมือไฟฟ้าไร้สายไม่รวมแบตเตอรี่แพ็คด้วยเช่นกัน คุณสามารถดูได้จากบรรจุภัณฑ์ว่า ขอบเขตการจัดส่งเครื่องมือไฟฟ้าของคุณมีแบตเตอรี่แพ็คหรือไม่

การชาร์จแบตเตอรี่

► **ใช้เฉพาะเครื่องชาร์จแบตเตอรี่ที่ระบุในข้อมูลทางเทคนิคเท่านั้น** เฉพาะเครื่องชาร์จแบตเตอรี่เหล่านี้เท่านั้นที่เข้าชุดกับแบตเตอรี่ลิเธียม ไอออน ของเครื่องมือไฟฟ้าของท่าน

หมายเหตุ: แบตเตอรี่ลิเธียม ไอออนถูกจัดส่งโดยมีการชาร์จไฟบางส่วนตามระเบียบข้อบังคับด้านการขนส่งระหว่างประเทศ เพื่อให้แน่ใจว่าแบตเตอรี่จะทำงานได้อย่างสมบูรณ์แบบ ก่อนใช้งานครั้งแรกให้ชาร์จแบตเตอรี่จนเต็ม

การใส่แบตเตอรี่

ใส่แบตเตอรี่ที่ชาร์จแล้วเข้าไปในด้ามจับรู้สึกเข้าล็อก

การถอดแบตเตอรี่

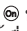

หมายเหตุ: ถอดแบตเตอรี่ออกเมื่อปิดเครื่องมือไฟฟ้าเท่านั้น เมื่อต้องการถอดแบตเตอรี่แพ็คออก ให้กดแป้นปลดล็อกแบตเตอรี่และดึงแบตเตอรี่แพ็คออกจากเครื่องมือไฟฟ้าอย่าใช้กำลังดึง

แบตเตอรี่แพ็คมีการล็อก 2 ระดับเพื่อป้องกันไม่ให้แบตเตอรี่แพ็ควิ่งหลุดออกมาหากกดแป้นปลดล็อกแบตเตอรี่โดยไม่ตั้งใจ เมื่อแบตเตอรี่ถูกบรรจุอยู่ในเครื่องมือไฟฟ้า สปริงจะยึดแบตเตอรี่ให้เข้าตำแหน่ง

ไฟแสดงสถานะการชาร์จแบตเตอรี่

หมายเหตุ: ไม่ใช่แบตเตอรี่ทุกประเภทที่จะมีไฟแสดงระดับการชาร์จ

ไฟ LED สีเขียวของการแสดงสถานะการชาร์จแบตเตอรี่แสดงสถานะการชาร์จของแบตเตอรี่ ด้วยเหตุผลด้านความปลอดภัยคุณสามารถตรวจสอบสถานะการชาร์จเฉพาะเมื่อเครื่องมือไฟฟ้าหยุดสนิทเท่านั้น

กดปุ่มสำหรับไฟแสดงสถานะการชาร์จแบตเตอรี่  หรือ  เพื่อแสดงสถานะการชาร์จ ท่านสามารถกดได้เมื่อเปิดถอดแบตเตอรี่ออกแล้ว

หลังจากกดปุ่มสำหรับไฟแสดงสถานะการชาร์จแบตเตอรี่แล้วไฟ LED ไม่ติดขึ้น แสดงว่าแบตเตอรี่พร้อมและต้องเปลี่ยนใหม่

แบตเตอรี่ชนิด GBA 18V...



LED	ความจุ
ไฟส่องสว่างต่อเนื่อง 3× สีเขียว	60–100 %
ไฟส่องสว่างต่อเนื่อง 2× สีเขียว	30–60 %
ไฟส่องสว่างต่อเนื่อง 1× สีเขียว	5–30 %
ไฟกะพริบ 1× สีเขียว	0–5 %

แบตเตอรี่ชนิด ProCORE18V...



LED	ความจุ
ไฟส่องสว่างต่อเนื่อง 5× สีเขียว	80–100 %
ไฟส่องสว่างต่อเนื่อง 4× สีเขียว	60–80 %
ไฟส่องสว่างต่อเนื่อง 3× สีเขียว	40–60 %
ไฟส่องสว่างต่อเนื่อง 2× สีเขียว	20–40 %
ไฟส่องสว่างต่อเนื่อง 1× สีเขียว	5–20 %
ไฟกะพริบ 1× สีเขียว	0–5 %

ข้อแนะนำในการปฏิบัติต่อแบตเตอรี่อย่างเหมาะสมที่สุด

ปกป้องกันแบตเตอรี่จากความชื้นและน้ำ

เก็บรักษาแบตเตอรี่แพ็คในช่วงอุณหภูมิ -20 °C ถึง 50 °C เท่านั้น อย่าปล่อยให้วางแบตเตอรี่แพ็คไว้ในรถยนต์ในช่วงฤดูร้อน

ทำความสะอาดช่องระบายอากาศเป็นครั้งคราวโดยใช้แปรงขนอ่อนที่แห้งและสะอาด

หลังจากชาร์จแบตเตอรี่แล้ว หากแบตเตอรี่แพ็คมีช่วงเวลาทำงานสั้นมาก แสดงว่าแบตเตอรี่แพ็คเสื่อมและต้องเปลี่ยนใหม่

อ่านและปฏิบัติตามข้อสั่งสำหรับการกำจัดขยะ

การติดตั้ง

► **โปรดถอดแบตเตอรี่แบบชาร์จได้ออกจากเครื่องมือไฟฟ้าก่อนการทำงานทุกประเภทที่เครื่องมือไฟฟ้า (เช่น การบำรุงรักษา การเปลี่ยนเครื่องมือ เป็นต้น)** เนื่องจากการสั่งงานสวิตช์เปิด/ปิดโดยไม่ตั้งใจขณะทำงานดังกล่าวอาจก่อให้เกิดความเสี่ยงต่อการบาดเจ็บได้

การเปลี่ยนเครื่องมือ

► **ขอแนะนำให้สวมถุงมือป้องกันอันตรายเมื่อใส่หรือเปลี่ยนเครื่องมือ**

หาซื้อเครื่องมือเฉพาะของแท้งกายการอุปกรณ์ประกอบของ Bosch ที่มีให้เลือกมากมายได้จากร้านขายอุปกรณ์เฉพาะตาม

การถอดฐานเข่า (ดูภาพประกอบ A)

ต้องถอดฐานเข่า (2) ออกจากมอเตอร์ (1) ก่อนใส่เครื่องมือเข่า

เปิดนอตปิก (12) ที่ฐานเข่า (2)

ดึงมอเตอร์ขึ้นด้านบนและนำออกไป

การเปลี่ยนแหวนรัดก้านเครื่องมือ (ดูภาพประกอบ B)

ท่านอาจต้องเปลี่ยนแหวนรัดก้านเครื่องมือพร้อมนอตยึด (6) ก่อนใส่เครื่องมือเข่า ทั้งนี้ขึ้นอยู่กับเครื่องมือเข่าที่ใช้ หากมีแหวนรัดก้านเครื่องมือที่ถูกติดตั้งอยู่แล้ว ให้ทำตามขั้นตอนในส่วนต่อไปนี้

แหวนรัดก้านเครื่องมือต้องประกอบในนอตยึดโดยมีระยะหลวมเล็กน้อย โดยแหวนรัดก้านเครื่องมือพร้อมนอตยึด (6) ต้องอยู่ในตำแหน่งที่ติดตั้งได้ง่าย หากนอตยึดหรือแหวนรัดก้านเครื่องมือชำรุด ให้เปลี่ยนใหม่ทันที

กดปุ่มล็อคแกน (8) และกดค้างไว้ ถ้าจำเป็นให้ใช้มือหมุนแกนมอเตอร์จนเขาล็อค

คลายนอตยึด (6) ด้วยประแจปากตาย (21) โดยหมุนในทิศ

ทวนเข็มนาฬิกา

กดปุ่มล็อคแกน

หมายเหตุ: อีกวิธีหนึ่งในการเปลี่ยนแหวนรัดก้านเครื่องมือ (โดยไม่ต้องกดปุ่มล็อคปลอกแกน (8)): จัดวางประแจขันสองตัวโดยให้หัวประแจชิดเข้ากับเพลลา เพื่อคลายนอตยึด (6) หรือขันให้แน่น

ก่อนประกอบ ให้ทำความสะอาดชิ้นส่วนทั้งหมดที่จะติดตั้งด้วยแปรงขนอ่อนหรือเป่าด้วยลมอัด หากจำเป็น

ใส่ นอตยึดตัวใหม่บนด้ามจับเครื่องมือ (20)

ขันนอตยึดเข้าอย่างหลวมๆ

▶ **อย่าขันนอตยึดพร้อมแหวนรัดก้านเครื่องมือเข้าจนแน่นโดยไม่ใช้เครื่องมือเฉพาะใส่อยู่** มิฉะนั้นแหวนรัดอาจชำรุดได้

การใส่เครื่องมือเข่า (ดูภาพประกอบ C1 – C2)

เครื่องมือเข่ามีให้เลือกหลายรูปแบบและคุณภาพต่าง ๆ กันมากมาย ทั้งนี้ขึ้นอยู่กับวัตถุประสงค์การใช้งาน

เครื่องมือเข่าทำจากเหล็กกล้าความเร็วสูง (HSS)

เหมาะสำหรับเข่าวัสดุอ่อน ต. ย. เช่น ไม้เนื้ออ่อน และพลาสติก

เครื่องมือเข่าเสียบปลายด้วยคาร์ไบด์ (HM) เหมาะอย่างยิ่งสำหรับเข่าวัสดุแข็งและวัสดุที่กัดกร่อน ต. ย. เช่น ไม้เนื้อแข็ง และอะลูมิเนียม

หาซื้อเครื่องมือเฉพาะของแท้งกายการอุปกรณ์ประกอบของ Bosch ที่มีให้เลือกมากมายได้จากร้านขายอุปกรณ์เฉพาะตาม

ใช้เฉพาะเครื่องมือเฉพาะที่สะอาดและมีสภาพสมบูรณ์เท่านั้น

การติดตั้งฐานเข่า (ดูภาพประกอบ A)

เมื่อต้องการเข่า ท่านต้องติดตั้งฐานเข่า (2) เข้าบนมอเตอร์ (1) อีกครั้ง

เปิดนอตปิก (12) ที่ฐานเข่า (2)

เลื่อนมอเตอร์ (1) ลงในฐานเข่า (2)

ปิดนอตปิก (12) ที่ฐานเข่า (2)

หมายเหตุ: สกรูหางปลา (12) และสกรูขันลาย (3) สามารถเปลี่ยนสลับกันได้

▶ **ทุกครั้งหลังติดตั้ง ให้ตรวจสอบว่ามอเตอร์ได้วางอยู่ในฐานเข่าอย่างแน่นหนาแล้วหรือไม่**

การดูดฝุ่น/ซีลื้อย

ฝุ่นที่ได้จากวัสดุ เช่น เคลือบผิวที่มีสารตะกั่ว ไม้บางประเภท แร่ธาตุ และโลหะ อาจเป็นอันตรายต่อสุขภาพ การ

สัมผัสหรือการหายใจเอาฝุ่นเข้าไปอาจทำให้เกิดปฏิกิริยาแพ้

ฝุ่น และ/หรือนำมาซึ่งโรคติดเชื้อระบบหายใจแก่ผู้

ใช้เครื่องมือหรือผู้ที่ยืนอยู่ใกล้เคียง

ฝุ่นบางประเภท เช่น ฝุ่นไม้โอ๊ก หรือ ไม้ซีด นับ

เป็นสารที่ทำให้เกิดมะเร็ง โดยเฉพาะอย่างยิ่งเมื่อผสม

กับสารเติมแต่งเพื่อบำบัดไม้ (โครเมียม ฟอสฟอรัส กราไฟต์) สำหรับวัสดุที่มีแอลเบสทอลสูงใหญ่เชี่ยวชาญทำงานเท่านั้น

– ใช้ระบบดูดฝุ่นออกที่เหมาะสมกับประเภทวัสดุ มากเท่าที่จะทำได้

– จัดสถานที่ทำงานให้มีการระบายอากาศที่ดี

– ขอแนะนำให้สวมหน้ากากป้องกันการติดเชื้อที่มีระดับ-ใส่กรอง P2

ปฏิบัติตามกฎข้อบังคับสำคัญอื่นๆ ที่เกี่ยวข้องกับวัสดุซึ่งงาน

ที่บังคับใช้ในประเทศของท่าน

▶ **ป้องกันการสะสมของฝุ่นในสถานที่ทำงาน** ฝุ่นสามารถถูก

ไหมอย่างง่ายดาย

การประกอบข้อต่อท่อดูดออก

เพื่อให้ดูดฝุ่นออกได้ดีที่สุด ต้องทำความสะอาดข้อต่อท่อดูด

ออก (29) เป็นประจำ

การต่ออุปกรณ์ดูดฝุ่น (ดูภาพประกอบ D)

ใส่อะแดปเตอร์สำหรับอุปกรณ์ดูดฝุ่น (11) เข้าไปในเครื่องมือ

มือไฟฟ้าจากทางด้านหน้า คุณจะได้ยินเสียงอะแดปเตอร์ล็อค

เข้าที่ หากต้องการถอดออก ให้จับบริเวณด้านข้างของอะแดป

เตอร์ (11) แล้วดึงออกทางด้านหน้า

เสียบท่อดูด (Ø 35 มม.) (30) (อุปกรณ์เสริม) หรือ

อะแดปเตอร์ดูดฝุ่น (29) (อุปกรณ์เสริม) เข้าไป เชื่อมต่อท่อ

ดูด (30) เข้ากับเครื่องดูดฝุ่น (อุปกรณ์เสริม)

เครื่องดูดฝุ่นต้องเหมาะสมสำหรับชิ้นงานที่นำมาปฏิบัติงาน

ในกรณีที่คุณฝุ่นที่เป็นอันตรายต่อสุขภาพอย่างยิ่ง ฝุ่น

ที่อาจก่อให้เกิดมะเร็ง หรือฝุ่นแห้ง ให้ใช้เครื่องดูดฝุ่นพิเศษ

การปฏิบัติงาน

การปรับความลึกการเข่า

▶ **ปรับความลึกการเข่าเฉพาะเมื่อเครื่องมือไฟฟ้าปิดสวิตช์อยู่เท่านั้น**

– วางเครื่องมือไฟฟ้าที่ใส่เครื่องมือเข่าแล้วลงบนชิ้นงาน

– เปิดสกรูหางปลา (12) ที่ฐานเข่า (2) อีกครั้งเพื่อปรับความลึกในการเข่าที่ต้องการด้วยมือหรือสกรูขันลาย (3) โดยใช้สเกลปรับความลึกในการเข่า (19)

– ปิดนอตปิก (12) ที่ฐานเข่า (2)

– ตรวจสอบความลึกการเข่าที่ปรับไว้โดยการทดลองเข่าและปรับซ้ำ หากจำเป็น

การเริ่มต้นปฏิบัติงาน

การเลือกความเร็วรอบล่วงหน้า

คุณสามารถหมุนปุ่มปรับความเร็วรอบล่วงหน้า (16) เพื่อเลือกความเร็วรอบที่ต้องการได้แม้ขณะเครื่องกำลังเดินอยู่

ตำแหน่งของล้อปรับ	ความเร็ว [นาที ⁻¹]	
1-2	10000-14000	ความเร็วรอบต่ำ
3-4	18000-24000	ความเร็วรอบปานกลาง
5-6	26000-30000	ความเร็วรอบสูง

ค่าที่แสดงในตารางต่อไปนี้เป็นคำแนะนำ อัตราความเร็วรอบที่ต้องใช้ขึ้นอยู่กับประเภทวัสดุและเงื่อนไขในการทำงาน และสามารถกำหนดได้จากการทดลองฝึกปฏิบัติ

วัสดุ	เส้นผ่านศูนย์กลางเครื่องมือเซาะ [มม.]	ตำแหน่งของล้อปรับ
ไม้เนื้อแข็ง (ไม้มีซ)	4-10	5-6
	12-20	3-4
	> 20	1-2
ไม้เนื้ออ่อน (ไม้สน)	4-10	5-6
	12-20	3-6
	> 20	1-3
ซีปบอร์ด	4-10	3-6
	12-20	2-4
	> 20	1-3
พลาสติก	4-15	2-3
	> 15	1-2

หลังจากทำงานที่ความเร็วรอบต่ำเป็นเวลานาน ควรปล่อยให้เครื่องมือไฟฟ้าทำงานในโหมดเดินเครื่องเปล่าที่ความเร็วสูงสุดเป็นเวลาครู่หนึ่งเพื่อระบายความร้อน

การเปิด-ปิดเครื่อง

สำหรับการเปิดสวิตช์ เครื่องมือไฟฟ้า ให้ตั้งสวิตช์เปิด-ปิด (13) ไปที่ I

สำหรับการปิดสวิตช์ เครื่องมือไฟฟ้า ให้ตั้งสวิตช์เปิด-ปิด (13) ไปที่ 0

ระบบอิเล็กทรอนิกส์ตัด

ระบบควบคุมอิเล็กทรอนิกส์ที่จะรักษาความเร็วรอบขณะเดินเครื่องตัวเปล่าและขณะใช้งานให้มีค่าเกือบคงที่ และทำให้ได้ประสิทธิภาพการทำงานที่สม่ำเสมอ

ข้อแนะนำในการทำงาน

- ▶ ป้องกันไม่ให้เครื่องมือเซาะถูกกระทบกระทก
- ▶ ไม่รูดอคตแมตเตอร์แบบซาร์จได้ออกจากเครื่องมือไฟฟ้าก่อนการทำงานทุกประเภทที่เครื่องมือไฟฟ้า (เช่น การบำรุงรักษา การเปลี่ยนเครื่องมือ เป็นต้น) เนื่องจากกำลัง

งานสวิตช์เปิด/ปิดโดยไม่ตั้งใจขณะทำงานดังกล่าวอาจก่อให้เกิดความเสี่ยงต่อการบาดเจ็บได้

ทิศทางการบั่นและกระบวนกรเซาะ (ดูภาพประกอบ E)

- ▶ **ตั้งเซาะทวนทิศทางการหมุนของเครื่องมือเซาะ (5) เสมอ (เคลื่อนที่สวนทาง)** หากเซาะไปในทิศทางเดียวกับการหมุนของเครื่องมือเซาะ (เคลื่อนที่ทางเดียวกันไปข้างหน้า) เครื่องมือไฟฟ้าจะถูกดึงออกจากมือ
- ▶ **ใช้เครื่องมือไฟฟ้าเฉพาะเมื่อได้ติดตั้งฐานเซาะแล้วเท่านั้น (2)** การสูญเสียการควบคุมเครื่องมือไฟฟ้าอาจทำให้เกิดการบาดเจ็บได้

ข้อสังเกต: พึงคำนึงว่าเครื่องมือเซาะ (5) จะไหลออกมานอกแผ่นฐาน (10) เสมออย่าทำให้แผ่นลอกลายหรือชิ้นงานเสียหาย

ปรับตั้งความลึกการตัดที่ต้องการ เปิดสวิตช์เครื่องทำงานและนำเครื่องไปยังตำแหน่งที่จะทำการเซาะ

เมื่อเซาะเสร็จแล้ว ให้ปิดสวิตช์เครื่องมือไฟฟ้า

- ▶ **อย่าวางเครื่องมือไฟฟ้าลงจนกว่าเครื่องมือเซาะจะหยุดสนิทแล้ว** เครื่องมือที่ยังวิ่งต่ออาจทำให้เกิดการบาดเจ็บได้

การเซาะด้วยปลอกสวมสำหรับลอกแบบ (ดูภาพประกอบ F1 - F3)

ปลอกสวมสำหรับลอกแบบ (22)

ทำให้สามารถถ่ายทอดเส้นโค้งร่างจากแพทเทิร์นหรือแผ่นลอกลายลงบนชิ้นงานได้ เลือกปลอกสวมสำหรับลอกแบบที่เหมาะสม ทั้งนี้ขึ้นอยู่กับความหนาของแผ่นลอกลายหรือแพทเทิร์น เนื่องจากปลอกสวมสำหรับลอกแบบมีความสูงยื่นออกมา แผ่นลอกลายจึงต้องมีความหนาน้อยที่สุด 8 มม. (ดูภาพประกอบ F1)

- ▶ **เลือกเครื่องมือเซาะที่มีขนาดเส้นผ่านศูนย์กลางเล็กกว่าเส้นผ่าศูนย์กลางคานในของปลอกสวมสำหรับลอกแบบ**

คลายสกรูเกลียวปล่อยสั้วที่ด้านล่างของแผ่นนำทาง (9) ออก และถอดแผ่นนำทางออก

สวมปลอกสวมสำหรับลอกแบบ (22) ลงในแผ่นนำทาง (ดูภาพประกอบ F2)

ขันแผ่นนำทางอย่างหลวมๆ กลับไปที่แผ่นฐาน (10) อีกครั้ง แผ่นนำทางต้องยังคงเคลื่อนไปมาได้อย่างอิสระ

เพื่อให้แน่ใจว่าระยะห่างจากจุดศูนย์กลางเครื่องมือเซาะและขอบปลอกสวมสำหรับลอกแบบจะเหมือนกันทุกที่ ท่านต้องปรับปลอกสวมสำหรับลอกแบบและแผ่นนำทางเซาะหากันและกัน หากจำเป็น

– จัดตำแหน่งแผ่นนำทางในลักษณะให้เครื่องมือเซาะและปลอกสวมสำหรับลอกแบบอยู่ตรงกลางของเปิดในแผ่นนำทาง (ดูภาพประกอบ F3)

– จับแผ่นนำทางไว้ในตำแหน่งนี้และขันสกรูยึดให้แน่นสำหรับการเซาะด้วยปลอกสวมสำหรับลอกแบบ (22)

- ใหม่ปฏิบัติตามข้อต่อไปนี้:
- เคลื่อนนำเครื่องมือไฟฟ้าที่มีปลอกสวมสำหรับลอกแบบ (22) ไปยังแผ่นลอกลาย
 - จับเครื่องพร้อมปลอกสวมสำหรับลอกแบบที่ยื่นออกมาเคลื่อนไปตามแผ่นลอกลายโดยกดลงตามข้างเล็กน้อย

การเข้าซ่อมหรือรื้อวาง (รูปภาพประกอบ G)

สำหรับการเข้าซ่อมหรือรื้อวางโดยไม่ใช้แผงกำหนดแนวขนาน เครื่องมือเข้าจะต้องมีหมุดนำร่องหรือดัลบลูกกลิ้งประกอบติด

จับเครื่องมือที่เปิดสวิตซ์ทำงานเข้าหาชิ้นงานทางด้านข้างโดยให้หมุดนำร่องหรือดัลบลูกกลิ้งของเครื่องมือเข้าแตะกับขอบชิ้นงานที่จะเข้า

เคลื่อนนำเครื่องมือไฟฟ้าเทียบไปตามขอบชิ้นงาน ตรวจสอบให้แน่ใจว่าเครื่องมือวางอยู่บนชิ้นงานที่ถูกต้อง การออกแรงดันมากเกินไปอาจทำให้ขอบของชิ้นงานเสียหายได้

การเข้าด้วยแผงกำหนดแนวขนาน (รูปภาพประกอบ H)

สำหรับการตัดขนานกับขอบ ให้ติดตั้งแผงกำหนดแนวขนาน (23)

ยึดแผงกำหนดแนวขนาน (23) ด้วยนอต (2) ด้วยสกรูดอก (4)

ตั้งค่าความลึกที่ต้องการด้วยนอตปิกที่แผงกำหนดแนวขนาน (24)

เคลื่อนนำเครื่องมือไฟฟ้าที่เปิดสวิตซ์อยู่ไปข้างหน้า โดยป้อนเครื่องอย่างสม่ำเสมอ และกดลงตามขอบแนวกำหนดแนวขนานไปตามขอบชิ้นงาน

การเข้าด้วยตัวช่วยนำทาง (รูปภาพประกอบ I)

ตัวช่วยนำทาง (25) ใช้สำหรับเข้าขอบด้วยเครื่องมือเข้าโดยไม่ใช้หมุดนำร่องหรือดัลบลูกกลิ้ง

ยึดตัวช่วยนำทางที่ฐานเข้า (2) ด้วยนอต (4)

เคลื่อนนำเครื่องมือไฟฟ้าไปข้างหน้า โดยป้อนเครื่องอย่างสม่ำเสมอไปตามขอบชิ้นงาน

ช่องว่างด้านข้าง: เมื่อต้องการเปลี่ยนปริมาณเนื้อวัสดุที่จะเข้าออก ท่านสามารถปรับช่องว่างระหว่างชิ้นงานและลูกกลิ้ง (28) ที่ตัวช่วยนำทาง (25)

คลายนอตปิก (26) ออก ปรับช่องว่างด้านข้างที่ต้องการโดยหมุนนอตปิก (27) และขันนอตปิก (26) กลับเข้าให้แน่น

ความสูง: ปรับแนวตั้งของตัวช่วยนำทางตามเครื่องมือเข้าที่ใช้และความหนาของวัสดุที่จะทำงาน

คลายนอต (4) ที่ตัวช่วยนำทางออก เลื่อนตัวช่วยนำทางไปยังตำแหน่งที่ต้องการและขันนอตให้แน่น

การบำรุงรักษาและการบริการ

การบำรุงรักษาและการทำความสะอาด

▶ **โปรดถอดแบตเตอรี่แบบชาร์จได้ออกจากเครื่องมือไฟฟ้าก่อนการทำงานทุกประเภทที่เครื่องมือไฟฟ้า (เช่น การบำรุงรักษา การเปลี่ยนเครื่องมือ) เนื่องจากกรรลิ่งงานสวิตซ์เปิด/ปิดโดยไม่ได้ตั้งใจขณะทำงานดังกล่าวอาจก่อให้เกิดความเสี่ยงต่อการบาดเจ็บได้**

▶ **เพื่อให้ทำงานได้อย่างถูกต้องและปลอดภัย ตรวจสอบรักษาเครื่องและช่องระบายอากาศให้สะอาดอยู่เสมอ**

การบริการหลังการขายและการให้คำปรึกษาการใช้ งาน

ศูนย์บริการหลังการขายของเรายินดีตอบคำถามของท่านที่เกี่ยวกับการบำรุงรักษาและการซ่อมแซมผลิตภัณฑ์รวม

ทั้งเรื่องอะไหล่ ภาพเขียนแบบการประกอบและข้อมูลเกี่ยวกับอะไหล่ กรุณาดูใน: www.bosch-pt.com ที่ทีมงานที่ปรึกษาของ บอช ยินดีให้ข้อมูลเกี่ยวกับผลิตภัณฑ์ของเราและอุปกรณ์ประกอบต่างๆ

เมื่อต้องการสอบถามและสั่งซื้ออะไหล่ กรุณาแจ้งหมายเลขสินค้า 10 หลักบนแผนป้ายรุ่นของผลิตภัณฑ์ทุกครั้ง

ไทย

ไทย บริษัท โรเบิร์ต บอช จำกัด
เอพวีย์โอ เซ็นเตอร์ อาคาร 1 ชั้น 5
เลขที่ 2525 ถนนพระราม 4
แขวงคลองเตย เขตคลองเตย กรุงเทพฯ 10110
โทร: +66 2012 8888
แฟกซ์: +66 2064 5800
www.bosch.co.th

ศูนย์บริการซ่อมและฝึกอบรม บอช
อาคาร ลานชาลาทาวเวอร์ ชั้น G ห้องเลขที่ 2
บ้านเลขที่ 10/11 หมู่ 16
ถนนศรีนครินทร์ ตำบลบางแก้ว อำเภอบางพลี
จังหวัดสมุทรปราการ 10540
ประเทศไทย
โทรศัพท์ 02 7587555
โทรสาร 02 7587525

สามารถดูที่อยู่ศูนย์บริการอื่นๆ ได้ที่:

www.bosch-pt.com/serviceaddresses

การขนส่ง

แบตเตอรี่ลิเทียมไอออนที่แนะนำให้ใช้ อยู่ภายใต้ข้อกำหนดแห่งกฎหมายสินค้าอันตราย ผู้ใช้สามารถขนส่งแบตเตอรี่แบบชาร์จไดบนถนนทางถนนโดยไม่มีข้อบังคับเพิ่มเติม

สำหรับการจัดส่งโดยบุคคลที่สาม (เช่น: การขนส่งทางอากาศหรือตัวแทนขนส่งสินค้า) จำเป็นต้องปฏิบัติตามข้อกำหนดพิเศษเกี่ยวกับการบรรจุภัณฑ์และการติดฉลากสำหรับการจัดเตรียมสิ่งของที่จะจัดส่ง จำเป็นต้องปรึกษามุขีเขี้ยวญาติด้านวัตถุอันตราย
ส่งแบตเตอรี่แพ็คเมื่อตัวหุ้มไม่ชำรุดเสียหายเท่านั้น ใช้แถบกาวยพันมิดหน้าสัมผัสที่เปิดอยู่ และนำแบตเตอรี่แพ็คใส่กล่องบรรจุโดยไม่ให้เคลื่อนไปมาในกล่องได้ นอกจากนี้ กรุณาปฏิบัติตามกฎระเบียบของประเทศซึ่งอาจมีรายละเอียดเพิ่มเติม

การกำจัดขยะ

เครื่องมือไฟฟ้า แบตเตอรี่แพ็ค อุปกรณ์ประกอบ และที่หอบ ต้องนำไปแยกประเภทวัสดุเพื่อนำกลับมาใช้ใหม่โดยไม่ทำลายสภาพแวดล้อม
อย่าทิ้งเครื่องมือไฟฟ้าและแบตเตอรี่แพ็ค/แบตเตอรี่ที่นำกลับมาชาร์จใหม่ได้ ลงในขยะบ้าน!



แบตเตอรี่แพ็ค/แบตเตอรี่:
ลิเทียม ไอออน:

กรุณาปฏิบัติตามคำแนะนำในบทการขนส่ง (ดู "การขนส่ง", หน้า 44)

Bahasa Indonesia

Petunjuk Keselamatan

Petunjuk keselamatan umum untuk perkakas listrik

⚠ PERINGATAN Baca semua peringatan, petunjuk, ilustrasi, dan spesifikasi

keselamatan yang diberikan bersama perkakas listrik ini. Kesalahan dalam menjalankan petunjuk di bawah ini dapat mengakibatkan sengatan listrik, kebakaran, dan/atau cedera serius.

Simpanlah semua peringatan dan petunjuk untuk penggunaan di masa mendatang.

Istilah "perkakas listrik" dalam peringatan mengacu pada perkakas listrik yang dioperasikan dengan listrik (mengggunakan kabel) atau perkakas listrik yang dioperasikan dengan baterai (tanpa kabel).

Keamanan tempat kerja

- ▶ **Jaga kebersihan dan pencahayaan area kerja.** Area yang berantakan atau gelap dapat memicu kecelakaan.
- ▶ **Jangan mengoperasikan perkakas listrik di lingkungan yang dapat memicu ledakan, seperti adanya cairan, gas, atau debu yang mudah terbakar.** Perkakas listrik dapat memancarkan bunga api yang kemudian mengakibatkan debu atau uap terbakar.
- ▶ **Jauhkan dari jangkauan anak-anak dan pengamat saat mengoperasikan perkakas listrik.** Gangguan dapat menyebabkan hilangnya kendali.

Keamanan listrik

- ▶ **Steker perkakas listrik harus sesuai dengan stopkontak.** Jangan pernah memodifikasi steker. **Jangan menggunakan steker adaptor bersama dengan perkakas listrik yang terhubung dengan sistem grounding.** Steker yang tidak dimodifikasi dan stopkontak yang cocok akan mengurangi risiko sengatan listrik.
- ▶ **Hindari kontak badan dengan permukaan yang terhubung dengan sistem grounding, seperti pipa, radiator, kompor, dan lemari es.** Terdapat peningkatan risiko terjadinya sengatan listrik jika badan Anda terhubung dengan sistem grounding.
- ▶ **Perkakas listrik tidak boleh terpapar hujan atau basah.** Air yang masuk ke dalam perkakas listrik menambah risiko terjadinya sengatan listrik.
- ▶ **Jangan menyalahgunakan kabel. Jangan gunakan kabel untuk membawa, menarik, atau melepas steker perkakas listrik.** Jauhkan kabel dari panas, minyak, tepi yang tajam, atau komponen yang bergerak. Kabel

listrik yang rusak atau tersangkut menambah risiko terjadinya sengatan listrik.

- ▶ **Saat mengoperasikan perkakas listrik di luar ruangan, gunakan kabel ekstensi yang sesuai untuk penggunaan di luar ruangan.** Penggunaan kabel yang cocok untuk pemakaian di luar ruangan mengurangi risiko terjadinya sengatan listrik.
- ▶ **Jika perkakas listrik memang harus dioperasikan di tempat yang lembap, gunakan pemutus arus listrik residu (RCD).** Penggunaan RCD akan mengurangi risiko terjadinya sengatan listrik.

Keselamatan personel

- ▶ **Tetap waspada, perhatikan aktivitas yang sedang dikerjakan dan gunakan akal sehat saat mengoperasikan perkakas listrik. Jangan gunakan perkakas listrik saat mengalami kelelahan atau di bawah pengaruh narkoba, alkohol, atau obat-obatan.** Jika perkakas listrik dioperasikan dengan daya konsentrasi yang rendah, hal tersebut dapat menyebabkan cedera serius.
- ▶ **Gunakan peralatan pelindung diri. Selalu kenakan pelindung mata.** Penggunaan perlengkapan pelindung seperti penutup telinga, helm, sepatu anti licin, dan masker debu akan mengurangi cedera.
- ▶ **Hindari start yang tidak disengaja. Pastikan switch berada di posisi off sebelum perkakas listrik dihubungkan ke sumber daya listrik dan/atau baterai, diangkat, atau dibawa.** Membawa perkakas listrik dengan jari menempel pada tombol atau perkakas listrik dalam keadaan hidup dapat memicu kecelakaan.
- ▶ **Singkirkan kunci penyetal atau kunci pas sebelum menghidupkan perkakas listrik.** Perkakas atau kunci pas yang masih menempel pada komponen perkakas listrik yang berputar dapat menyebabkan cedera.
- ▶ **Jangan melampaui batas. Berdirilah secara mantap dan selalu jaga keseimbangan.** Hal ini akan memberikan kontrol yang lebih baik terhadap perkakas listrik pada situasi yang tak terduga.
- ▶ **Kenakan pakaian dengan wajar. Jangan mengenakan perhiasan atau pakaian yang longgar. Jauhkan rambut dan pakaian dari komponen yang bergerak.** Pakaian yang longgar, rambut panjang, atau perhiasan dapat tersangkut dalam komponen yang bergerak.
- ▶ **Jika disediakan perangkat untuk sambungan pengisapan debu dan alat pengumpulan, pastikan perangkat tersebut terhubung dan digunakan dengan benar.** Penggunaan alat pengumpulan dapat mengurangi bahaya yang disebabkan oleh debu.
- ▶ **Jangan berpuas diri dan mengabaikan prinsip keselamatan karena terbiasa mengoperasikan perkakas.** Tindakan yang kurang hati-hati dapat mengakibatkan cedera serius dalam waktu sepersekian detik.

Penggunaan dan pemeliharaan perkakas listrik

- ▶ **Jangan memaksakan perkakas listrik. Gunakan perkakas listrik yang sesuai untuk pekerjaan yang**

dilakukan. Perkakas listrik yang sesuai akan bekerja dengan lebih baik dan aman sesuai tujuan penggunaan.

- ▶ **Jangan gunakan perkakas listrik dengan switch yang tidak dapat dioperasikan.** Perkakas listrik yang switchnya yang tidak berfungsi dapat menimbulkan bahaya dan harus diperbaiki.
- ▶ **Lepaskan steker dari sumber listrik dan/atau lepas baterai, jika dapat dilepaskan dari perkakas listrik sebelum menyatel, mengganti aksesoris, atau menyimpan perkakas listrik.** Tindakan preventif akan mengurangi risiko menghidupkan perkakas listrik secara tidak disengaja.
- ▶ **Jauhkan dan simpan perkakas listrik dari jangkauan anak-anak dan jangan biarkan orang-orang yang tidak mengetahui cara menggunakan perkakas listrik, mengoperasikan perkakas listrik.** Perkakas listrik dapat membahayakan jika digunakan oleh orang-orang yang tidak terlatih.
- ▶ **Lakukan pemeliharaan perkakas listrik dan aksesoris.** Periksa komponen yang bergerak apabila tidak lurus atau terikat, kerusakan komponen, dan kondisi lain yang dapat mengganggu pengoperasian perkakas listrik. Apabila rusak, perbaiki perkakas listrik sebelum digunakan. Kecelakaan sering terjadi karena perkakas listrik tidak dirawat dengan baik.
- ▶ **Jaga ketajaman dan kebersihan alat.** Alat pemotong dengan pisau pemotong yang tajam dan dirawat dengan baik tidak akan mudah tersangkut dan lebih mudah dikendalikan.
- ▶ **Gunakan perkakas listrik, aksesoris, dan komponen perkakas dll sesuai dengan petunjuk ini, dengan mempertimbangkan kondisi kerja dan pekerjaan yang akan dilakukan.** Penggunaan perkakas listrik untuk tujuan berbeda dari fungsinya dapat menyebabkan situasi yang berbahaya.
- ▶ **Jaga gagang dan permukaan genggam agar tetap kering, bersih, dan bebas dari minyak dan lemak.** Gagang dan permukaan genggam yang licin tidak menjamin keamanan kerja dan kontrol alat yang baik pada situasi yang tidak terduga.

Penggunaan dan pemeliharaan perkakas baterai

- ▶ **Isi ulang daya hanya dengan pengisi daya yang ditentukan oleh produsen.** Pengisi daya yang sesuai untuk satu jenis set baterai dapat menyebabkan risiko kebakaran apabila digunakan dengan set baterai lain.
- ▶ **Hanya gunakan perkakas listrik dengan set baterai yang dirancang khusus.** Penggunaan set baterai lain dapat menyebabkan risiko cedera dan kebakaran.
- ▶ **Apabila set baterai tidak digunakan, jauhkan dari benda logam lainnya, seperti klip kertas, koin, kunci, paku, sekrup, atau benda logam kecil lainnya yang dapat membuat sambungan dari satu terminal ke terminal lainnya.** Memendekkan terminal baterai dapat menyebabkan kebakaran atau api.
- ▶ **Cairan dapat keluar dari baterai jika baterai tidak digunakan dengan benar; hindari kontak. Jika terjadi**

kontak secara tidak disengaja, bilas dengan air. Jika cairan mengenai mata, segera hubungi bantuan medis. Cairan yang keluar dari baterai dapat menyebabkan iritasi atau luka bakar.

- ▶ **Jangan gunakan set baterai atau perkakas yang rusak atau telah dimodifikasi.** Baterai yang rusak atau telah dimodifikasi dapat menimbulkan kejadian yang tak terduga seperti kebakaran, ledakan, atau risiko cedera.
- ▶ **Jangan meletakkan set baterai atau perkakas di dekat api atau suhu tinggi.** Paparan terhadap api atau suhu di atas 130 °C dapat memicu ledakan.
- ▶ **Ikuti semua petunjuk pengisian daya dan jangan mengisi daya set baterai atau perkakas di luar rentang suhu yang ditentukan dalam petunjuk.** Pengisian daya yang tidak tepat atau di luar rentang suhu yang ditentukan dapat merusak baterai dan meningkatkan risiko kebakaran.

Servis

- ▶ **Minta teknisi berkualifikasi untuk menyervis perkakas listrik dengan hanya menggunakan suku cadang yang identik.** Dengan demikian, hal ini akan memastikan keamanan perkakas listrik.
- ▶ **Jangan pernah melakukan servis pada baterai yang telah rusak.** Servis baterai hanya boleh dilakukan oleh produsen atau penyedia servis resmi.

Petunjuk keselamatan untuk palm router

- ▶ **Gunakan penjepit atau cara lain yang praktis untuk mengamankan dan menopang benda kerja pada permukaan yang stabil.** Benda kerja dapat goyah atau kehilangan kendali jika dipegang dengan tangan atau ditahan dengan tubuh Anda.
- ▶ **Kecepatan putaran pisau frais yang diperbolehkan harus setidaknya sebesar kecepatan putaran maksimal yang tercantum pada perkakas listrik.** Pisau frais yang berputar lebih cepat dari yang diperbolehkan dapat patah dan beterbangan.
- ▶ **Alat pemotong atau aksesoris lainnya harus terpasang dengan tepat pada dudukan (collet chuck) perkakas listrik Anda.** Alat kerja yang tidak terpasang dengan tepat pada dudukannya dapat berputar secara tidak stabil, bergetar sangat keras, dan dapat mengakibatkan hilang kendali.
- ▶ **Hidupkan terlebih dahulu perkakas listrik, kemudian perkakas listrik didekatkan pada benda kerja.** Jika tidak, terdapat bahaya sentakan jika alat kerja tersangkut dalam benda yang dikerjakan.
- ▶ **Jangan pernah melakukan pemotongan (frais) pada benda logam, paku, atau sekrup.** Pisau frais dapat rusak dan mengakibatkan getaran yang keras.
- ▶ **Gunakanlah alat detektor logam yang cocok untuk mencari kabel dan pipa yang tidak terlihat atau hubungi perusahaan pengadaan setempat.** Sentuhan dengan kabel-kabel listrik dapat mengakibatkan api dan kontak listrik. Pipa gas yang dirusak dapat mengakibatkan

ledakan. Pipa air yang dirusak mengakibatkan barang-barang menjadi rusak.

- ▶ **Jangan menggunakan pisau frais yang tumpul atau rusak.** Pisau frais yang tumpul atau rusak mengakibatkan gesekan yang lebih besar, dapat tersangkut, dan mengakibatkan ketidakseimbangan.
- ▶ **Sebelum meletakkan perkakas listrik, tunggulah hingga perkakas berhenti berputar.** Alat kerja dapat tersangkut dan menyebabkan perkakas listrik tidak dapat dikendalikan.
- ▶ **Asap dapat keluar apabila terjadi kerusakan atau penggunaan yang tidak tepat pada baterai. Baterai dapat terbakar atau meledak.** Biarkan udara segar mengalir masuk dan kunjungi dokter apabila mengalami gangguan kesehatan. Asap tersebut dapat mengganggu saluran pernafasan.
- ▶ **Jangan membuka baterai.** Ada bahaya terjadinya korsleting.
- ▶ **Baterai dapat rusak akibat benda-benda lancip, seperti jarum, obeng, atau tekanan keras dari luar.** Hal ini dapat menyebabkan terjadinya hubungan singkat internal dan baterai dapat terbakar, berasap, meledak, atau mengalami panas berlebihan.
- ▶ **Hanya gunakan baterai pada produk dari produsen.** Hanya dengan cara ini, baterai dapat terlindungi dari kelebihan muatan.



Lindungi baterai dari panas, misalnya juga dari paparan sinar matahari dalam waktu yang lama, api, kotoran, air dan kelembapan. Terdapat risiko ledakan dan korsleting.



Spesifikasi produk dan performa



Bacalah semua petunjuk keselamatan dan petunjuk penggunaan. Kesalahan dalam menjalankan petunjuk keselamatan dan petunjuk penggunaan dapat mengakibatkan kontak listrik, kebakaran, dan/atau luka-luka yang berat.

Perhatikan ilustrasi yang terdapat pada sisi sampul panduan pengoperasian.

Tujuan penggunaan

Perkakas listrik ini cocok untuk melakukan milling/copy milling alur, pinggiran, profil, dan slot di kayu, plastik, dan bahan ringan pada dudukan solid.

Ilustrasi komponen

Penomoran ilustrasi komponen mengacu pada gambar perkakas listrik pada halaman grafis.

- (1) Unit penggerak
- (2) Rumah frais
- (3) Sekrup bergerigi untuk rumah frais
- (4) Sekrup bergerigi untuk mistar sejajar/pemandu

- (5) Pisau frais^{a)}
- (6) Mur pengunci dengan collet chuck
- (7) Collet chuck
- (8) Tombol pengunci spindel
- (9) Alas peluncur
- (10) Pelat dasar
- (11) Adaptor untuk pengisap debu
- (12) Baut kupu-kupu untuk rumah frais
- (13) Tombol on/off
- (14) Baterai^{a)}
- (15) Tombol pelepas baterai^{a)}
- (16) Selektor penyetel untuk pemilihan awal kecepatan putaran
- (17) Handel (permukaan genggam berisolator)
- (18) Lampu kerja
- (19) Skala untuk pengaturan kedalaman pemotongan
- (20) Dudukan alat kerja
- (21) Kunci pas ujung terbuka (13 mm, 17 mm)
- (22) Ring penyalinan^{a)}
- (23) Mistar sejajar
- (24) Baut kupu-kupu untuk mistar sejajar
- (25) Pemandu^{a)}
- (26) Baut kupu-kupu untuk mengunci kesejajaran horizontal^{a)}
- (27) Baut kupu-kupu untuk kesejajaran horizontal pemandu^{a)}
- (28) Rol peluncur^{a)}
- (29) Adaptor pengisap^{a)}
- (30) Slang pengisap^{a)}

a) **Aksesori yang digambarkan atau yang dijelaskan tidak termasuk dalam lingkup pengiriman standar. Semua aksesori yang ada dapat ditemukan dalam program aksesori kami.**

Data teknis

Mesin frais tepi	GLF 18V-8	
Nomor barang		3 601 FC6 0..
Tegangan nominal	V [~]	18
Kecepatan idle terukur ^{A)}	min ⁻¹	10000-30000
Pemilihan awal kecepatan putaran		●
Kontrol elektronik konstan		●
Sambungan untuk ekstraksi debu		●
Collet chuck yang kompatibel	mm inch	6/8 1/4"
Berat ^{B)}	kg	1,5-2,5

Mesin frais tepi	GLF 18V-8
Suhu sekitar yang direkomendasikan saat pengisian daya	°C 0 ... +35
Suhu sekitar yang diizinkan saat pengoperasian ^{C)} dan saat penyimpanan	°C -20 ... +50
Baterai yang direkomendasikan	GBA 18V... ProCORE18V...
Perangkat pengisi daya yang direkomendasikan	GAL 18... GAX 18... GAL 36...

A) diukur pada suhu 20–25°C dengan baterai **ProCORE18V 4.0Ah**

B) tergantung pada baterai yang digunakan

C) daya terbatas pada suhu < 0°C

Nilai dapat berbeda-beda bergantung pada produk dan mungkin tunduk pada kondisi lingkungan serta penggunaan. Informasi lebih lanjut pada www.bosch-professional.com/wac.

Baterai

Bosch menjual perkakas listrik berdaya baterai bahkan tanpa baterai yang disertakan. Keterangan apakah lingkup pengiriman perkakas listrik termasuk dengan baterai dapat ditemukan di kemasan.

Mengisi daya baterai

► **Hanya gunakan pengisi daya yang tercantum pada data teknis.** Hanya pengisi daya ini yang sesuai dengan baterai li-ion yang digunakan pada perkakas listrik Anda.

Catatan: Baterai lithium-ion dikirim dalam keadaan terisi daya sebagian berdasarkan peraturan transportasi internasional. Untuk menjamin daya penuh dari baterai, isi daya baterai hingga penuh sebelum menggunakannya untuk pertama kali.

Memasang baterai

Masukkan baterai yang telah terisi daya ke dalam dudukan baterai hingga baterai terkunci.

Melepas baterai

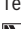

Untuk melepas baterai, tekan tombol pelepas baterai dan keluarkan baterai. **Jangan melepas baterai dengan paksa.**

Baterai memiliki 2 level penguncian untuk mencegah baterai terlepas saat tombol pelepas baterai ditekan secara tidak sengaja. Selama baterai terpasang di dalam perkakas listrik, baterai ditahan posisinya menggunakan pegas.

Indikator level pengisian daya baterai

Catatan: Tidak semua jenis baterai memiliki indikator level pengisian daya.

LED berwarna hijau dari indikator level pengisian daya baterai menampilkan level pengisian daya baterai. Atas dasar keselamatan, permintaan level pengisian daya baterai hanya dapat dilakukan saat perkakas listrik dalam keadaan berhenti.

Tekan tombol indikator level pengisian daya baterai  atau  untuk menampilkan level pengisian baterai. Hal ini juga dapat dilakukan saat baterai dilepas.

Apabila LED tidak menyala setelah menekan tombol indikator level pengisian daya, terdapat kerusakan pada baterai dan baterai harus diganti.

Tipe baterai GBA 18V...



LED	Kapasitas
Lampu permanen hijau 3×	60–100%
Lampu permanen hijau 2×	30–60%
Lampu permanen hijau 1×	5–30%
Lampu berkedip hijau 1×	0–5%

Tipe baterai ProCORE18V...



LED	Kapasitas
Lampu permanen hijau 5×	80–100%
Lampu permanen hijau 4×	60–80%
Lampu permanen hijau 3×	40–60%
Lampu permanen hijau 2×	20–40%
Lampu permanen hijau 1×	5–20%
Lampu berkedip hijau 1×	0–5%

Petunjuk untuk penanganan baterai yang optimal

Lindungilah baterai dari kelembapan dan air.

Simpan baterai hanya pada rentang suhu antara –20 °C hingga 50 °C. Janganlah meletakkan baterai di dalam mobil, misalnya pada musim panas.

Bersihkanlah lubang ventilasi baterai dengan kuas yang lunak, bersih dan kering secara berkala.

Waktu pengoperasian yang berkurang secara signifikan setelah pengisian daya menunjukkan bahwa baterai telah habis dan perlu diganti.

Perhatikan petunjuk untuk membuang.

Cara memasang

► **Lepaskan baterai dari perkakas listrik sebelum melakukan pekerjaan apa pun pada perkakas listrik (misalnya perawatan, penggantian alat kerja, dll.).** Terdapat risiko cedera apabila tombol on/off ditekan secara tidak sengaja.

Mengganti alat kerja

► **Pada waktu memasang dan mengganti pisau frais kami anjurkan agar Anda memakai sarung tangan pelindung.**

Pisau frais asli yang termasuk dalam program aksesori Bosch dapat dibeli di agen penjualan Anda.

Melepas rumah frais (lihat gambar A)

Sebelum pisau frais dapat dipasang, rumah frais (2) pada unit penggerak (1) harus dipotong terlebih dulu.

Buka wing screw (12) pada rumah frais (2).

Tarik unit penggerak keluar.

Mengganti collet chuck (lihat gambar B)

Bergantung pada pisau frais yang digunakan, collet chuck harus diganti dengan mur pengunci (6) sebelum memasang pisau frais.

Jika collet chuck yang sesuai untuk pisau frais sudah terpasang, ikuti prosedur dari bab berikut.

Collet chuck harus dipasang ke mur pengunci dengan sedikit jarak. Collet chuck dengan mur pengunci (6) harus mudah dipasang. Jika mur pengunci atau collet chuck rusak, komponen tersebut harus segera diganti.

Tekan dan tahan tombol pengunci spindel (8). Jika perlu, putar spindel mesin dengan tangan hingga terkunci.

Lepas mur pengunci (6) dengan memutar kunci pas (21) berlawanan arah jarum jam.

Lepaskan tombol pengunci spindel.

Catatan: Cara alternatif untuk mengganti collet chuck (tanpa menekan tombol pengunci spindel (8)): Letakkan dua kunci pas pada poros menggunakan kepala datar ganda untuk mengendurkan atau mengencangkan mur pengunci (6).

Jika perlu, bersihkan seluruh komponen yang akan dipasang menggunakan kuas yang lembut atau dengan cara ditiup dengan udara bertekanan sebelum pemasangan.

Pasang mur pengunci baru pada kedudukan alat kerja (20).

Kencangkan mur pengunci, tetapi jangan sampai terlalu kencang.

► **Kencangkan collet chuck dengan mur pengunci saat tidak ada pisau frais yang terpasang.** Collet chuck dapat rusak karenanya.

Memasang pisau frais (lihat gambar C1- C2)

Tergantung pada hasil pekerjaan yang diharapkan, pisau frais tersedia dalam berbagai macam dan mutu.

Pisau frais dari baja dengan performa tinggi (HSS) cocok untuk mengerjakan material yang lembut seperti kayu lunak dan plastik.

Pisau frais dengan ujung karbida (HM) khusus digunakan untuk material yang keras dan kasar seperti kayu keras dan aluminium.

Pisau frais asli yang termasuk dalam program aksesori Bosch dapat Anda beli di agen penjualan Bosch.

Hanya pasang pisau frais yang sempurna dan bersih.

Memasang rumah frais (lihat gambar A)

Rumah frais (2) harus kembali dipasang ke unit penggerak (1) untuk melakukan proses frais.

Buka wing screw (12) pada rumah frais (2).

Masukkan unit penggerak (1) ke rumah frais (2).

Tutup wing screw (12) pada rumah frais (2).

Catatan: Baut kupu-kupu (12) dan sekrup bergerigi (3) dapat saling ditukar.

► **Setelah selesai memasang, periksalah selalu apakah unit penggerak telah terpasang dengan kencang pada rumah frais.**

Ekstraksi debu/serbuk

Debu dari bahan-bahan seperti cat yang mengandung timbal, beberapa jenis kayu, bahan mineral dan logam dapat berbahaya bagi kesehatan. Menyentuh atau menghirup debu tersebut dapat mengakibatkan reaksi alergi dan/atau penyakit saluran pernapasan bagi pengguna atau orang yang berada di dekatnya.

Beberapa debu tertentu seperti misalnya debu kayu pohon ek atau pohon fagus silvatica dianggap dapat mengakibatkan penyakit kanker, terutama dalam campuran dengan bahan-bahan tambahan untuk pengolahan kayu (kromat, obat pengawet kayu). Bahan-bahan yang mengandung asbes hanya boleh dikerjakan oleh orang-orang yang ahli.

- Gunakanlah hanya pengisap debu yang cocok untuk mengisap bahan yang dikerjakan.
- Pastikan terdapat ventilasi udara yang baik di tempat kerja.
- Dianjurkan untuk memakai masker anti debu dengan filter kelas P2.

Taatilah peraturan-peraturan untuk bahan-bahan yang dikerjakan yang berlaku di negara Anda.

► **Hindari debu yang banyak terkumpul di tempat kerja.** Debu dapat tersulut dengan mudah.

Memasang adaptor pengisap

Untuk menjamin pengisapan yang optimal, adaptor pengisap (29) harus dibersihkan secara berkala.

Menyambungkan ekstraksi debu (lihat gambar D)

Pasang adaptor untuk pengisap debu (11) ke perkakas listrik dari arah depan. Adaptor akan terkunci. Untuk melepaskan, pegang adaptor (11) dari samping dan lepaskan ke arah depan.

Pasang slang pengisap (diameter 35 mm) (30) (aksesori) atau adaptor pengisap (29) (aksesori). Sambungkan slang pengisap (30) ke pengisap debu (aksesori).

Pengisap debu harus sesuai dengan material yang akan diproses.

Gunakan pengisap debu khusus saat melakukan pengisapan debu kering atau debu yang dapat membahayakan kesehatan serta memicu kanker.

Pengoperasian

Menyetel kedalaman pemotongan

► **Pengaturan kedalaman pemotongan hanya boleh dilakukan saat perkakas listrik dinonaktifkan.**

- Letakkan perkakas listrik dengan pisau frais terpasang pada benda kerja yang akan dikerjakan.
- Buka kembali baut kupu-kupu (12) pada rumah frais (2) untuk mengatur kedalaman frais yang diinginkan

- berdasarkan skala pengaturan kedalaman frais (19), secara manual ataupun menggunakan sekrup bergerigi (3).
- Lepaskan baut kupu-kupu (12) pada rumah frais (2).
 - Periksalah pengaturan kedalaman frais yang dilakukan dengan cara uji coba dan perbaiki jika perlu.

Pengoperasian pertama kali

Pemilihan awal kecepatan putaran

Kecepatan putaran yang diperlukan juga dapat dipilih terlebih dulu dengan selektor penyetel untuk pemilihan awal kecepatan putaran (16) selama pengoperasian.

Posisi selektor penyetel	Kecepatan putaran [min ⁻¹]	
1-2	10000-14000	Kecepatan putaran rendah
3-4	18000-24000	Kecepatan putaran sedang
5-6	26000-30000	Kecepatan putaran tinggi

Nilai yang ditampilkan pada tabel berikut adalah nilai referensi. Kecepatan putaran yang diperlukan bergantung pada material dan kondisi pengerjaan dan dapat ditetapkan melalui uji coba yang praktis.

Bahan	Diameter pisau frais [mm]	Posisi selektor penyetel
Kayu keras (fagus silvatica)	4-10	5-6
	12-20	3-4
	> 20	1-2
Kayu lunak (pinus)	4-10	5-6
	12-20	3-6
	> 20	1-3
Papan partikel	4-10	3-6
	12-20	2-4
	> 20	1-3
Bahan sintetis	4-15	2-3
	> 15	1-2

Setelah digunakan dalam waktu lama dengan kecepatan putaran rendah, sebaiknya biarkan perkakas listrik beroperasi dengan kecepatan putaran maksimal dan tanpa beban selama beberapa saat hingga perkakas menjadi dingin.

Mengaktifkan/menonaktifkan perkakas listrik

Untuk **menyalakan** perkakas listrik, posisikan tombol on/off (13) pada posisi I.

Untuk **mematikan** perkakas listrik, posisikan tombol on/off (13) pada posisi 0.

Kontrol elektronik konstan

Kontrol elektronik konstan membuat kecepatan putaran berjalan tanpa beban dan sewaktu dibebani hampir selalu konstan dan menjamin hasil kerja yang merata.

Petunjuk pengoperasian

- ▶ Lindungilah pisau frais terhadap benturan dan sentakan.
- ▶ Lepaskan baterai dari perkakas listrik sebelum melakukan pekerjaan apa pun pada perkakas listrik (misalnya perawatan, penggantian alat kerja, dll.). Terdapat risiko cedera apabila tombol on/off ditekan secara tidak sengaja.

Arah dan proses frais (lihat gambar E)

- ▶ Proses frais harus selalu berlawanan dengan arah putar dari mata frais (5) (gerak berlawanan). Jika arah pemotongan sesuai dengan arah putar dari mata frais (gerak sama), perkakas listrik dapat terpental dari tangan pengguna.
- ▶ Gunakan perkakas listrik hanya dengan rumah frais (2) yang telah terpasang. Kehilangan kendali pada perkakas listrik dapat menyebabkan cedera.

Catatan: Pertimbangkan bahwa pisau frais (5) akan selalu menonjol dari pelat dasar (10). Jangan merusak pola atau benda yang dikerjakan.

Aturlah kedalaman pemotongan yang diinginkan.

Hidupkan perkakas listrik dan letakkan perkakas listrik pada bagian benda yang akan dikerjakan.

Setelah pekerjaan pemotongan selesai, matikan perkakas listrik.

- ▶ Jangan meletakkan perkakas listrik sebelum pisau frais benar-benar berhenti. Alat kerja yang masih berputar dapat mengakibatkan terjadinya luka-luka.

Pisau frais dengan ring penyalinan (ring copy) (lihat gambar F1 - F3)

Dengan sarung penyalinan (22), kontur pada template atau pola dapat dipindahkan ke benda.

Pilihlah sarung penyalinan yang cocok menyesuaikan ketebalan pola atau template. Akibat sarung penyalinan menonjol keluar, pola harus mempunyai ketebalan paling sedikit sebesar 8 mm (lihat gambar F1).

- ▶ Pilihlah pisau frais dengan diameter yang lebih kecil daripada diameter ring penyalinan (ring copy) bagian dalam.

Buka keempat sekrup silinder pada sisi bawah alas peluncur (9) dan lepas alas peluncur.

Pasang ring penyalinan (ring copy) (22) ke alas peluncur (lihat gambar F2).

Pasang kembali sekrup pada alas peluncur (10) dengan tidak terlalu kencang. Alas peluncur harus bisa bergerak dengan bebas.

Supaya jarak antara pusat pisau frais dan pinggiran ring penyalinan (ring copy) selalu sama, ring penyalinan (ring copy) dan alas peluncur harus dicocokkan pusatnya jika perlu.

- Pasang alas peluncur sedemikian rupa sehingga pisau frais dan ring penyalinan (ring copy) berada di pusat lubang alas peluncur (lihat gambar F3).
- Tahan alas peluncur dalam posisi ini dan kencangkan semua baut.

Untuk melakukan frais dengan ring penyalinan (ring copy) **(22)**, lakukan proses sebagai berikut:

- Letakkan perkakas listrik dengan ring penyalinan (ring copy) **(22)** ke atas pola.
- Dorong perkakas listrik dengan ring penyalinan (ring copy) yang menonjol ke luar dengan tekanan dari samping sepanjang pola.

Proses frais pinggiran atau profil (lihat gambar G)

Pada pekerjaan memotong pinggiran atau profil tanpa mistar sejajar, pisau frais yang dipakai harus memiliki ujung bundar atau bantalan peluru.

Dekatkan perkakas listrik yang sudah dihidupkan dari samping pada benda yang akan dikerjakan hingga ujung bundar atau bantalan peluru pisau frais terkena pada sisi dari benda yang akan dikerjakan.

Dorong perkakas listrik sepanjang sisi benda yang dikerjakan. Perhatikan supaya pisau frais berada dalam posisi bersudut. Tekanan yang terlalu besar dapat merusak pinggiran benda yang dikerjakan.

Proses frais dengan mistar paralel (lihat gambar H)

Untuk pemotongan sudut paralel, mistar paralel **(23)** dapat dipasang.

Kencangkan mistar paralel **(23)** pada rumah frais **(2)** dengan sekrup **(4)**.

Atur kedalaman yang diinginkan pada mistar paralel **(24)** dengan baut kupu-kupu.

Dorong perkakas listrik yang sudah dinyalakan ke sepanjang sisi benda kerja secara merata dan tekan dari samping pada mistar paralel.

Proses frais dengan mistar berbentuk batang siku (lihat gambar I)

Mistar berbentuk batang siku **(25)** digunakan untuk melakukan frais pada pinggiran dengan pisau frais tanpa ujung bundar atau bantalan peluru.

Pasang mistar berbentuk batang siku pada rumah frais **(2)** dengan mur **(4)**.

Dorong perkakas listrik sepanjang sisi benda yang dikerjakan dengan tekanan ke depan yang sama.

Jarak samping: Untuk mengubah kuantitas pembersihan material, jarak samping antara benda dan alas peluncur **(28)** pada mistar berbentuk batang siku **(25)** dapat diatur.

Buka wing screw **(26)**, atur jarak samping yang diinginkan dengan memutar wing screw **(27)** dan mengencangkan wing screw **(26)** kembali.

Ketinggian: Atur kesejajaran vertikal pada mistar berbentuk batang siku menyesuaikan pisau frais yang digunakan dan kekuatan benda yang dikerjakan.

Lepas sekrop pengencang **(4)** pada mistar berbentuk batang siku, dorong mistar berbentuk batang siku ke posisi yang diinginkan dan kemudian kencangkan baut kembali.

Perawatan dan servis

Perawatan dan pembersihan

- ▶ **Lepaskan baterai dari perkakas listrik sebelum melakukan pekerjaan apa pun pada perkakas listrik (misalnya perawatan, penggantian alat kerja, dll.).**

Terdapat risiko cedera apabila tombol on/off ditekan secara tidak sengaja.

- ▶ **Perkakas listrik dan lubang ventilasi harus selalu dibersihkan agar perkakas dapat digunakan dengan baik dan aman.**

Layanan pelanggan dan konsultasi penggunaan

Layanan pelanggan Bosch menjawab semua pertanyaan Anda tentang reparasi dan perawatan serta tentang suku cadang produk ini. Gambaran teknis (exploded view) dan informasi mengenai suku cadang dapat ditemukan di:

www.bosch-pt.com

Tim konsultasi penggunaan Bosch akan membantu Anda menjawab pertanyaan seputar produk kami beserta aksesorinya.

Jika Anda hendak menanyakan sesuatu atau memesan suku cadang, selalu sebutkan nomor model yang terdiri dari 10 angka dan tercantum pada label tipe produk.

Indonesia

PT Robert Bosch Indonesia
 Arkadia Green Park Tower G – 7th floor
 Jl. Let. Jend. TB. Simatupang Kav.88
 Jakarta 12520
 Tel.: (021) 3005 5800
 Fax: (021) 3005 5801
 E-Mail: boschpowertools@id.bosch.com
 www.bosch-pt.co.id

Alamat layanan lainnya dapat ditemukan di:

www.bosch-pt.com/serviceaddresses

Transpor

Baterai li-ion yang direkomendasikan tunduk pada persyaratan terkait peraturan tentang bahan-bahan yang berbahaya. Baterai dapat diangkat di jalan oleh penggunaannya tanpa pembatasan lebih lanjut.

Pada pengiriman oleh pihak ketiga (misalnya transportasi udara atau perusahaan ekspedisi), persyaratan terkait pengemasan dan pemberian tanda harus diperhatikan. Dalam hal ini, diperlukan konsultasi dengan ahli bahan-bahan berbahaya saat menyiapkan barang pengiriman.

Kirimkan baterai hanya jika housing-nya tidak rusak. Tutup bagian-bagian yang terbuka dan kemas baterai agar tidak bergerak-gerak di dalam kemasan. Taatilah peraturan-peraturan nasional lainnya yang mungkin lebih rinci yang berlaku di negara Anda.

Cara membuang



Perkakas listrik, baterai, aksesoris dan kemasan harus didaur ulang dengan cara yang ramah lingkungan.



Jangan membuang perkakas listrik, aki/baterai ke dalam sampah rumah tangga!

Baterai:

Li-ion:

Perhatikanlah petunjuk-petunjuk dalam bab Transpor (lihat „Transpor“, Halaman 51).

Tiếng Việt

Hướng dẫn an toàn

Hướng dẫn an toàn chung cho dụng cụ điện

⚠ CẢNH BÁO

Hãy đọc toàn bộ các cảnh báo an toàn, hướng dẫn,

hình ảnh và thông số kỹ thuật được cung cấp cho dụng cụ điện cầm tay này. Không tuân thủ mọi hướng dẫn được liệt kê dưới đây có thể bị điện giật, gây cháy và /hay bị thương tật nghiêm trọng.

Hãy giữ tất cả tài liệu về cảnh báo và hướng dẫn để tham khảo về sau.

Thuật ngữ "dụng cụ điện cầm tay" trong phần cảnh báo là để cập đến sự sử dụng dụng cụ điện cầm tay của bạn, loại sử dụng điện nguồn (có dây cắm điện) hay vận hành bằng pin (không dây cắm điện).

Khu vực làm việc an toàn

- ▶ **Giữ nơi làm việc sạch và đủ ánh sáng.** Nơi làm việc bừa bộn và tối tăm dễ gây ra tai nạn.
- ▶ **Không vận hành dụng cụ điện cầm tay trong môi trường dễ gây nổ, chẳng hạn như nơi có chất lỏng dễ cháy, khí đốt hay rác.** Dụng cụ điện cầm tay tạo ra các tia lửa nên có thể làm rác bén cháy hay bốc khói.
- ▶ **Không để trẻ em hay người đến xem đứng gần khi vận hành dụng cụ điện cầm tay.** Sự phân tâm có thể gây ra sự mất điều khiển.

An toàn về điện

- ▶ **Phích cắm của dụng cụ điện cầm tay phải thích hợp với ổ cắm.** Không bao giờ được cải biến lại phích cắm dưới mọi hình thức. Không được sử dụng phích tiếp hợp nối tiếp đất (dây mát). Phích cắm nguyên bản và ổ cắm đúng loại sẽ làm giảm nguy cơ bị điện giật.

- ▶ **Tránh không để thân thể tiếp xúc với đất hay các vật có bề mặt tiếp đất như đường ống, lò sưởi, hàng rào và tủ lạnh.** Có nhiều nguy cơ bị điện giật hơn nếu cơ thể bạn bị tiếp hay nối đất.
- ▶ **Không được để dụng cụ điện cầm tay ngoài mưa hay ở tình trạng ẩm ướt.** Nước vào máy sẽ làm tăng nguy cơ bị điện giật.
- ▶ **Không được lạm dụng dây dẫn điện.** Không bao giờ được nắm dây dẫn để xách, kéo hay rút phích cắm dụng cụ điện cầm tay. Không để dây gần nơi có nhiệt độ cao, dầu nhớt, vật nhọn bén và bộ phận chuyển động. Làm hỏng hay cuộn rối dây dẫn làm tăng nguy cơ bị điện giật.
- ▶ **Khi sử dụng dụng cụ điện cầm tay ngoài trời, dùng dây nối thích hợp cho việc sử dụng ngoài trời.** Sử dụng dây nối thích hợp cho việc sử dụng ngoài trời làm giảm nguy cơ bị điện giật.
- ▶ **Nếu việc sử dụng dụng cụ điện cầm tay ở nơi ẩm ướt là không thể tránh được, dùng thiết bị ngắt mạch tự động (RCD) bảo vệ nguồn.** Sử dụng thiết bị ngắt mạch tự động RCD làm giảm nguy cơ bị điện giật.

An toàn cá nhân

- ▶ **Hãy tỉnh táo, biết rõ mình đang làm gì và hãy sử dụng ý thức khi vận hành dụng cụ điện cầm tay.** Không sử dụng dụng cụ điện cầm tay khi đang mệt mỏi hay đang bị tác động do chất gây nghiện, rượu hay được phẩm gây ra. Một thoáng mất tập trung khi đang vận hành dụng cụ điện cầm tay có thể gây thương tích nghiêm trọng cho bản thân.
- ▶ **Sử dụng trang bị bảo hộ cá nhân.** Luôn luôn đeo kính bảo vệ mắt. Trang bị bảo hộ như khẩu trang, giày chống trượt, nón bảo hộ, hay dụng cụ bảo vệ tai khi được sử dụng đúng nơi đúng chỗ sẽ làm giảm nguy cơ thương tật cho bản thân.
- ▶ **Phòng tránh máy khởi động bất ngờ.** Bảo đảm công tắc máy ở vị trí tắt trước khi cắm vào nguồn điện và/hay lắp pin vào, khi nhấn máy lên hay khi mang xách máy. Ngáng ngón tay vào công tắc máy để xách hay kích hoạt dụng cụ điện cầm tay khi công tắc ở vị trí mở dễ dẫn đến tai nạn.
- ▶ **Lấy mọi chìa hay khóa điều chỉnh ra trước khi mở điện dụng cụ điện cầm tay.** Khóa hay chìa còn gắn dính vào bộ phận quay của dụng cụ điện cầm tay có thể gây thương tích cho bản thân.
- ▶ **Không rướn người.** Luôn luôn giữ tư thế đứng thích hợp và thăng bằng. Điều này tạo cho việc điều khiển dụng cụ điện cầm tay tốt hơn trong mọi tình huống bất ngờ.
- ▶ **Trang phục thích hợp.** Không mặc quần áo rộng thùng thình hay mang trang sức. Giữ tóc và quần áo xa khỏi các bộ phận chuyển

động. Quần áo rộng lưng thùng, đồ trang sức hay tóc dài có thể bị cuốn vào các bộ phận chuyển động.

- ▶ **Nếu có các thiết bị đi kèm để nối máy hút bụi và các phụ kiện khác, bảo đảm các thiết bị này được nối và sử dụng tốt.** Việc sử dụng các thiết bị gom hút bụi có thể làm giảm các độc hại liên quan đến bụi gây ra.
- ▶ **Không để thói quen do sử dụng thường xuyên dụng cụ khiến bạn trở nên chủ quan và bỏ qua các quy định an toàn dụng cụ.** Một hành vi bất cẩn có thể gây ra thương tích nghiêm trọng chỉ trong tích tắc.

Sử dụng và bảo dưỡng dụng cụ điện cầm tay

- ▶ **Không được ép máy.** Sử dụng dụng cụ điện cầm tay đúng loại theo đúng ứng dụng của bạn. Dụng cụ điện cầm tay đúng chức năng sẽ làm việc tốt và an toàn hơn theo đúng tiến độ mà máy được thiết kế.
- ▶ **Không sử dụng dụng cụ điện cầm tay nếu không chắc chắn không tắt và mở được.** Bất kỳ dụng cụ điện cầm tay nào mà không thể điều khiển được bằng công tắc là nguy hiểm và phải được sửa chữa.
- ▶ **Rút phích cắm ra khỏi nguồn điện và/hay pin ra khỏi dụng cụ điện cầm tay nếu có thể tháo được, trước khi tiến hành bất kỳ điều chỉnh nào, thay phụ kiện, hay cất dụng cụ điện cầm tay.** Các biện pháp ngăn ngừa như vậy làm giảm nguy cơ dụng cụ điện cầm tay khởi động bất ngờ.
- ▶ **Cất giữ dụng cụ điện cầm tay không dùng tới nơi trẻ em không lấy được và không cho người chưa từng biết dùng cụ điện cầm tay hay các hướng dẫn này sử dụng dụng cụ điện cầm tay.** Dụng cụ điện cầm tay nguy hiểm khi ở trong tay người chưa được chỉ cách sử dụng.
- ▶ **Bảo quản dụng cụ điện cầm tay và các phụ kiện.** Kiểm tra xem các bộ phận chuyển động có bị sai lệch hay kẹt, các bộ phận bị rạn nứt và các tình trạng khác có thể ảnh hưởng đến sự vận hành của máy. Nếu bị hư hỏng, phải sửa chữa máy trước khi sử dụng. Nhiều tai nạn xảy ra do bảo quản dụng cụ điện cầm tay tồi.
- ▶ **Giữ các dụng cụ cắt bén và sạch.** Bảo quản đúng cách các dụng cụ cắt có cạnh cắt bén làm giảm khả năng bị kẹt và dễ điều khiển hơn.
- ▶ **Sử dụng dụng cụ điện cầm tay, phụ kiện, đầu cài v. v., đúng theo các chỉ dẫn này, hãy lưu ý đến điều kiện làm việc và công việc phải thực hiện.** Sự sử dụng dụng cụ điện cầm tay khác với mục đích thiết kế có thể tạo nên tình huống nguy hiểm.
- ▶ **Giữ tay cầm và bề mặt nắm luôn khô ráo, sạch sẽ và không dính dầu mỡ.** Tay cầm và

bề mặt nắm trơn trượt không đem lại thao tác an toàn và kiểm soát dụng cụ trong các tình huống bất ngờ.

Sử dụng và bảo quản dụng cụ dùng pin

- ▶ **Chỉ được sạc pin lại với bộ nạp điện do nhà sản xuất chỉ định.** Bộ nạp điện thích hợp cho một loại pin có thể gây nguy cơ cháy khi sử dụng cho một loại pin khác.
- ▶ **Chỉ sử dụng dụng cụ điện cầm tay với loại pin được thiết kế đặc biệt dành riêng cho máy.** Sử dụng bất cứ loại pin khác có thể dẫn đến thương tật hay cháy.
- ▶ **Khi không sử dụng pin, để cách xa các vật bằng kim loại như kẹp giấy, tiền xu, chìa khoá, đinh, ốc vít hay các đồ vật kim loại nhỏ khác, thứ có thể tạo sự nối tiếp từ một đầu cực với một đầu cực khác.** Sự chập mạch của các đầu cực với nhau có thể gây bỏng hay cháy.
- ▶ **Bảo quản ở tình trạng tối, dung dịch từ pin có thể tứa ra; tránh tiếp xúc.** Nếu vô tình chạm phải, hãy xối nước để rửa. Nếu dung dịch vào mắt, cần thêm sự hỗ trợ của y tế. Dung dịch tiết ra từ pin có thể gây ngứa hay bỏng.
- ▶ **Không được sử dụng bộ pin hoặc dụng cụ đã bị hư hại hoặc bị thay đổi.** Pin hỏng hoặc bị thay đổi có thể gây ra những tác động không lường trước được như cháy nổ hoặc nguy cơ thương tích.
- ▶ **Không đặt bộ pin hoặc dụng cụ ở gần lửa hoặc nơi quá nhiệt.** Tiếp xúc với lửa hoặc nhiệt độ cao trên 130 °C có thể gây nổ.
- ▶ **Tuân thủ tất cả các hướng dẫn nạp và không nạp bộ pin hay dụng cụ ở bên ngoài phạm vi nhiệt độ đã được quy định trong các hướng dẫn.** Nạp không đúng cách hoặc ở nhiệt độ ngoài phạm vi nạp đã quy định có thể làm hư hại pin và gia tăng nguy cơ cháy.

Bảo dưỡng

- ▶ **Đưa dụng cụ điện cầm tay của bạn đến thợ chuyên môn để bảo dưỡng, chỉ sử dụng phụ tùng đúng chủng loại để thay.** Điều này sẽ đảm bảo sự an toàn của máy được giữ nguyên.
- ▶ **Không bao giờ sửa chữa các bộ pin đã hư hại.** Chỉ cho phép nhà sản xuất hoặc các nhà cung cấp dịch vụ có ủy quyền thực hiện dịch vụ sửa chữa cho các bộ pin.

Các hướng dẫn an toàn cho phay cạnh

- ▶ **Sử dụng các kẹp hoặc cách thực tiễn khác để cố định và đỡ phôi gia công vào sàn thao tác cố định.** Việc cầm phôi gia công bằng tay hoặc tựa người vào phôi gia công làm cho nó dễ đổ và có thể dẫn đến mất kiểm soát.
- ▶ **Tốc độ danh định của máy phay phải ít nhất là bằng với tốc độ tối đa được ghi trên dụng**

cụ điện cầm tay. Máy phay chạy nhanh hơn tốc độ danh định của chúng có thể văng vỡ ra.

- ▶ **Máy phay hay bất kỳ loại phụ tùng nào khác phải vừa vận phù hợp với giá đỡ dụng cụ (mâm cặp) của dụng cụ điện.** Mũi phay mà không vừa khít chính xác với phần cặp dụng cụ của máy sẽ quay không đều, rung lắc dữ dội và có thể dẫn đến sự mất kiểm soát.
- ▶ **Chỉ cho máy gia công vật liệu khi máy đã hoạt động.** Nếu không làm vậy thì sẽ có nguy cơ bị giật ngược do dụng cụ cắt bị kẹt chặt trong vật gia công.
- ▶ **Không phay bằng các vật thể kim loại, đinh hoặc vít.** Mũi phay có thể bị làm hỏng và làm gia tăng sự rung lắc.
- ▶ **Dùng thiết bị dò tìm thích hợp để xác định nếu có các công trình công cộng lắp đặt ngầm trong khu vực làm việc hay liên hệ với Cty công trình công cộng địa phương để nhờ hỗ trợ.** Dụng cụ chạm đường dẫn điện có thể gây ra hỏa hoạn và điện giật. Làm hư hại đường dẫn khí ga có thể gây nổ. Làm thủng ống dẫn nước có thể làm hư hại tài sản hay có thể gây ra điện giật.
- ▶ **Không sử dụng máy phay cùn hoặc bị hỏng.** Mũi phay đã cùn hay hư hỏng làm tăng sự ma sát, có thể bị kẹt chặt và rồi dẫn đến sự mất thăng bằng.
- ▶ **Luôn luôn đợi cho máy hoàn toàn ngừng hẳn trước khi đặt xuống.** Dụng cụ lắp vào máy có thể bị kẹt chặt dẫn đến việc dụng cụ điện cầm tay bị mất điều khiển.
- ▶ **Trong trường hợp pin bị hỏng hay sử dụng sai cách, hơi nước có thể bốc ra. Pin có thể cháy hoặc nổ.** Hãy làm cho thông thoáng khí và trong trường hợp bị đau phải nhờ y tế chữa trị. Hơi nước có thể gây ngứa hệ hô hấp.
- ▶ **Không được tháo pin ra.** Nguy cơ bị chập mạch.
- ▶ **Pin có thể bị hư hại bởi các vật dụng nhọn như đinh hay tước-nơ-vít hoặc bởi các tác động lực từ bên ngoài.** Nó có thể dẫn tới đoản mạch nội bộ và làm pin bị cháy, bốc khói, phát nổ hoặc quá nóng.
- ▶ **Chỉ sử dụng pin trong các sản phẩm của nhà sản xuất.** Chỉ bằng cách này, pin sẽ được bảo vệ tránh nguy cơ quá tải.



Bảo vệ pin không để bị làm nóng, ví dụ, chống để lâu dài dưới ánh nắng gay gắt, lửa, chất bẩn, nước, và sự ẩm ướt. Có nguy cơ nổ và chập mạch.

Mô Tả Sản Phẩm và Đặc Tính Kỹ Thuật



Đọc kỹ mọi cảnh báo an toàn và mọi hướng dẫn. Không tuân thủ mọi cảnh báo và hướng dẫn được liệt kê dưới đây có thể bị điện giật, gây cháy và / hay bị thương tật nghiêm trọng.

Xin lưu ý các hình minh họa trong phần trước của hướng dẫn vận hành.

Sử dụng đúng cách

Máy được thiết kế để phay rãnh, cạnh biên, mặt cạnh và các lỗ phân bố trải dài cũng như chập hình vào gỗ, nhựa và các vật liệu xây dựng nhẹ khi các vật này dính chắc trên vật gia công.

Các bộ phận được minh họa

Việc đánh số các thành phần đã minh họa liên quan đến mô tả dụng cụ điện trên trang hình ảnh.

- (1) Động cơ máy
- (2) Khuôn bao phay
- (3) Vít đầu có khóa cho bộ phay
- (4) Vít đầu có khóa cho thanh cũ/khung tựa ống dẫn
- (5) Máy phay^{a)}
- (6) Mâm cặp
- (7) Cổ góp
- (8) Nút khóa trục
- (9) Tấm hướng dòng
- (10) Chân đế khuôn bao
- (11) Đầu nối cho hệ thống hút bụi
- (12) Ốc tai hồng của buồng máy cắt
- (13) Công tắc Tắt/Mở
- (14) Pin^{a)}
- (15) Nút tháo pin^{a)}
- (16) Nút xoay để chọn trước tốc độ
- (17) Tay nắm (bề mặt nắm cách điện)
- (18) Đền làm việc
- (19) Thước chia độ dùng để điều chỉnh độ sâu phay
- (20) Phần lắp dụng cụ
- (21) Chia vận miệng mở (13 mm, 17 mm)
- (22) Bạc dẫn hướng^{a)}
- (23) Thanh cũ
- (24) Bu-lông tai hồng của đường cặp cạnh
- (25) Khung tựa ống dẫn^{a)}
- (26) Vít tai hồng để cố định hướng ngang^{a)}
- (27) Vít tai hồng để căn chỉnh hướng ngang của khung tựa ống dẫn^{a)}
- (28) Bánh lăn^{a)}

(29) Cút nối ống hút^{a)}

(30) Ống hút^{a)}

- a) **Phụ tùng được trình bày hay mô tả không phải là một phần của tiêu chuẩn hàng hóa được giao kèm theo sản phẩm. Bạn có thể tham khảo tổng thể các loại phụ tùng, phụ kiện trong chương trình phụ tùng của chúng tôi.**

Thông số kỹ thuật

Phay cạnh	GLF 18V-8	
Mã số máy		3 601 FC6 0..
Điện thế danh định	V _{nom}	18
Tốc độ chạy không-đo ^{A)}	/phút	10000–30000
Chọn trước tốc độ		●
Bộ phận điều áp điện tử		●
Nối kết phần hút bụi		●
Vành kẹp tương thích	mm inch	6 / 8 1/4"
Trọng lượng ^{B)}	kg	1,5–2,5
hiệu suất môi trường được khuyến nghị khi sạc	°C	0 ... +35
hiệu suất môi trường cho phép trong quá trình vận hành ^{C)} và trong quá trình lưu trữ	°C	–20 ... +50
pin được khuyến dùng		GBA 18V... ProCORE18V...
thiết bị nạp được giới thiệu		GAL 18... GAX 18... GAL 36...

A) được đo ở 20–25 °C với pin **ProCORE18V 4.0Ah**

B) tùy vào loại pin lắp đang sử dụng

C) hiệu suất giới hạn ở nhiệt độ < 0 °C

Các giá trị có thể khác nhau tùy thuộc vào sản phẩm và tùy thuộc vào ứng dụng và điều kiện môi trường. Xem thêm thông tin chi tiết trên trang www.bosch-professional.com/wac.

Pin

Bosch mua dụng cụ điện chạy pin không có pin. Dù pin được bao gồm trong phạm vi giao hàng của dụng cụ điện, bạn có thể tháo bao bì.

Sạc pin

- **Chỉ sử dụng bộ sạc được đề cập trong dữ liệu kỹ thuật.** Chỉ những bộ sạc này phù hợp cho dụng cụ điện cầm tay của bạn có sử dụng pin Li-Ion.

Hướng dẫn: Pin Lithium-ion được giao một phần do các quy định vận tải quốc tế. Để bảo đảm đầy đủ điện dung, nạp điện hoàn toàn lại cho pin trước khi sử dụng cho lần đầu tiên.

Lắp pin

Hãy đẩy pin đã sạc vào giá gắn pin cho đến khi nó vào khớp.

Tháo pin ra



Để tháo pin bạn hãy ấn nút mở khóa pin và kéo pin ra. **Không dùng sức.**

Pin có 2 mức khóa, có nhiệm vụ ngăn ngừa pin bị rơi ra do vô ý bấm phải nút tháo pin. Cứ khi nào pin còn được lắp trong dụng cụ điện, nó vẫn được giữ nguyên vị trí nhờ vào một lò xo.

Đèn báo trạng thái nạp pin

Lưu ý: Không phải mọi loại pin đều có một hiển thị mức sạc.

Các đèn LED màu xanh của màn hình hiển thị tình trạng sạc pin chỉ ra tình trạng sạc của pin. Vì lý do an toàn, ta chỉ có thể kiểm tra trạng thái của tình trạng nạp điện khi máy đã ngừng hoạt động hoàn toàn.

Để hiển thị tình trạng nạp, bạn hãy nhấn nút để hiển thị mức sạc  hoặc . Điều này cũng có thể thực hiện khi ắc quy được tháo ra.

Đèn LED không sáng sau khi nhấn nút để hiển thị mức sạc có nghĩa là pin bị hỏng và phải được thay thế.

Kiểu pin GBA 18V...



LED	Điện dung
Đèn sáng liên tục 3× màu xanh lá	60–100 %
Đèn sáng liên tục 2× màu xanh lá	30–60 %
Đèn sáng liên tục 1× màu xanh lá	5–30 %
Đèn nhấp nháy 1× màu xanh lá	0–5 %

Kiểu pin ProCORE18V...



LED	Điện dung
Đèn sáng liên tục 5× màu xanh lá	80–100 %
Đèn sáng liên tục 4× màu xanh lá	60–80 %
Đèn sáng liên tục 3× màu xanh lá	40–60 %
Đèn sáng liên tục 2× màu xanh lá	20–40 %
Đèn sáng liên tục 1× màu xanh lá	5–20 %
Đèn nhấp nháy 1× màu xanh lá	0–5 %

Các Khuyến Nghị về Cách Bảo Dưỡng Tốt Nhất cho Pin

Bảo vệ pin hợp khối tránh sự ẩm ướt và nước.

Chỉ bảo quản pin trong tầm nhiệt độ nằm giữa -20°C và 50°C . Không để pin trong ô tô vào mùa hè.

Thỉnh thoảng làm sạch các khe thông gió của pin bằng cách dùng một cái cọ khô, mềm và sạch.

Sự giảm sút đáng kể thời gian hoạt động sau khi nạp điện chỉ rõ rằng pin hợp khối đã hết công dụng và phải được thay.

Quy trình hoạt động được chia ra làm hai giai đoạn.

Sự lắp vào

- ▶ **Trước khi tiến hành bất cứ công việc gì với máy (ví dụ: bảo dưỡng, thay dụng cụ v.v..) tháo pin ra khỏi dụng cụ điện.** Có nguy cơ gây thương tích khi vô tình làm kích hoạt công tắc bật/tắt.

Thay Dụng Cụ

- ▶ **Để lắp hay thay mũi phay, xin khuyến nghị nên mang găng bảo vệ tay.**

Bạn có thể mua được các loại mũi phay chính hãng trong chương trình phụ kiện tổng quát của **Bosch** ở cửa hàng chuyên ngành.

Tháo khuôn bao phay (xem hình A)

Trước khi bạn có thể lắp máy phay, trước hết bạn phải ngắt khuôn bao phay (2) khỏi động cơ máy (1).

Tháo ốc tai hồng (12) ở buồng máy cắt (2).

Bạn kéo động cơ chính lên trên.

Thay đổi cổ góp (xem Hình B)

Tùy theo máy cắt được sử dụng, bạn phải thay đổi cổ góp với một đai ốc ren (6) trước khi lắp máy phay.

Nếu đã lắp sẵn sàng vòng đai cho máy cắt của bạn, hãy tiếp tục các bước làm trong mục sau đây.

Cổ góp phải khớp vào đai ốc mũ với một khe hở.

Cổ góp với đai ốc ren (6) phải được lắp dễ dàng.

Nếu mâm cặp hay cổ góp bị hỏng, cần phải thay ra ngay.

Nhấn nút khóa trục (8) và nhấn giữ. Xoay trục động cơ bằng tay nếu cần, cho đến khi nó được khóa.

Bạn vặn núm xoay ra ngược chiều kim đồng hồ (6) bằng cờ lê (21).

Hãy nhút khóa trục.

Lưu ý: Tùy chọn thay thế để thay ống góp (không cần nhấn nút khóa trục chính (8)): Đặt hai chìa vặn vít trên trục bằng đầu dẹt đôi để nới lỏng hoặc siết chặt đai ốc ren (6).

Nếu cần, trước khi lắp các bộ phận vào, dùng một cọ mềm để chải hay dùng khí nén để thổi sạch trước.

Hãy đặt đai ốc mũ mới lên giá đỡ dụng cụ (20).

Vặn mâm cặp chặt lại một cách vừa phải.

- ▶ **Không siết chặt cổ góp với đai ốc mũ, nếu máy phay chưa được lắp.** Nếu không, cổ góp có thể bị hỏng.

Lắp máy phay vào (xem Hình ảnh C1 – C2)

Tùy theo mục đích ứng dụng, hầu hết các loại mũi phay khác nhau về kiểu dáng và chất lượng hiện đều có bán ở thị trường.

Máy phay làm từ thép siêu tốc hiệu suất cao (HSS) phù hợp để gia công vật liệu mềm ví dụ như gỗ mềm và nhựa.

Các máy phay có lưỡi cắt kim loại cứng (HM) đặc biệt phù hợp với vật liệu cứng và mài mòn như gỗ cứng và nhôm.

Bạn có thể mua được các loại mũi phay chính hãng trong chương trình phụ kiện tổng quát của Bosch ở cửa hàng chuyên ngành.

Chỉ sử dụng mũi phay sạch và có tình trạng hoàn hảo.

Lắp khuôn bao phay (xem Hình A)

Để phay bạn phải lắp khuôn bao phay (2) vào động cơ máy (1).

Tháo ốc tai hồng (12) ở buồng máy cắt (2).

Trượt nhẹ động cơ chính (1) vào trong buồng máy cắt (2).

Đóng ốc tai hồng (12) ở buồng máy cắt (2).

Hướng dẫn: Vít tai hồng (12) và vít đầu có khóa (3) có thể thay thế cho nhau.

- ▶ **Sau khi lắp vào, luôn luôn kiểm tra xem động cơ máy có nằm chắc chắn trong khuôn bao phay không.**

Hút Dặm/Bụi

Mạt bụi từ các vật liệu được sơn phủ ngoài có chứa chì trên một số loại gỗ, khoáng vật và kim loại có thể gây nguy hại đến sức khỏe con người. Dụng cụ chạm hay hít thở các bụi này có thể làm người sử dụng hay đứng gần bị dị ứng và/hoặc gây nhiễm trùng hệ hô hấp.

Một số hạt bụi cụ thể, ví dụ như bụi gỗ sồi hay đậu, được xem là chất gây ung thư, đặc biệt là có liên quan đến các chất phụ gia dùng xử lý gỗ (chất cromat, chất bảo quản gỗ). Có thể chỉ nên để thợ chuyên môn gia công các loại vật liệu có chứa amiăng.

- Cách xa ở mức có thể được, sử dụng hệ thống hút thích hợp cho loại vật liệu.
- Tạo không khí thông thoáng nơi làm việc.
- Khuyến nghị nên mang mặt nạ phòng độc có bộ lọc cấp P2.

Tuân thủ các quy định của quốc gia bạn liên quan đến loại vật liệu gia công.

- ▶ **Tránh không để rác tích tụ tại nơi làm việc.** Rác có thể dễ dàng bắt lửa.

Lắp Bộ Phân Hút Ghép Nối

Để đảm bảo sự hút được tốt nhất, bộ phận hút (29) ghép nối phải được làm sạch thường xuyên.

Nối Thiết Bị Hút Bụi (xem Hình D)

Lắp đầu nối cho hệ thống hút bụi (11) từ phía trước vào dụng cụ điện. Nó phát ra tiếng khi khớp vào. Để tháo, hãy cắm vào bên cạnh của đầu nối (11) và kéo về trước.

Cắm ống hút (Ø 35 mm) (30) (Phụ kiện) hoặc nút nối ống hút (29) (Phụ kiện) vào. Nối ống hút (30) với một chiếc máy hút bụi (phụ kiện).

Máy hút bụi phải thích hợp dành cho loại vật liệu đang gia công.

Khi hút bụi khô loại đặc biệt gây nguy hại đến sức khỏe hoặc gây ra ung thư, hãy sử dụng máy hút bụi loại chuyên dụng.

Vận Hành**Điều Chỉnh Độ Sâu Phay****► Chỉ điều chỉnh độ sâu phay khi dụng cụ điện được tắt.**

- Với máy đã lắp mũi phay vào, đặt dụng cụ điện lên trên vật liệu được gia công.
- Mở lại vít tai hồng (12) trên bộ phay (2) để điều chỉnh độ sâu phay mong muốn dựa trên thang đo điều chỉnh độ sâu phay (19) bằng tay hoặc bằng vít đầu có khóa (3).
- Đóng ốc tai hồng (12) ở bu lông máy cắt (2).
- Nếu cần thiết, kiểm tra chiều sâu phay bằng cách phay thử thực tế và điều chỉnh lại.

Bắt Đầu Vận Hành**Chọn Trước Tốc Độ**

Với núm vận để chọn trước tốc độ (16), bạn có thể chọn trước số vòng quay cần thiết cả khi đang vận hành.

Vị Trí của Núm Xoay	Số vòng quay [phút]	
1–2	10000–14000	số vòng quay thấp
3–4	18000–24000	số vòng quay trung bình
5–6	26000–30000	số vòng quay cao

Các trị số trình bày trong biểu đồ sau đây là các trị số chuẩn. Tốc độ cần có tùy thuộc vào vật liệu và điều kiện hoạt động, và có thể xác định được bằng thử nghiệm thực tế.

Nguyên vật liệu	Đường kính phay [mm]	Vị Trí của Núm Xoay
Gỗ cứng (gỗ dẻ gai)	4–10	5–6
	12–20	3–4
	> 20	1–2

Nguyên vật liệu	Đường kính phay [mm]	Vị Trí của Núm Xoay
Gỗ mềm (gỗ thông)	4–10	5–6
	12–20	3–6
	> 20	1–3
Ván dăm (ván okal)	4–10	3–6
	12–20	2–4
	> 20	1–3
Nhựa mù	4–15	2–3
	> 15	1–2

Sau một thời gian làm việc dài với tốc độ vòng quay thấp, bạn cần cho dụng cụ điện quay không tải với tốc độ tối đa để làm mát.

Bật Mở và Tắt

Để **bật** dụng cụ điện bạn hãy đặt công tắc bật/tắt (13) thành I.

Để **tắt** dụng cụ điện hãy đặt công tắc bật/tắt (13) thành 0.

Bộ phận điều áp điện tử

Bộ phận điều áp điện tử giữ cho tốc độ chạy ổn định khi không tải hoặc có tải, và đảm bảo sự đồng bộ hiệu suất lao động.

Hướng Dẫn Sử Dụng

- **Tránh không để mũi phay chịu sự va đập và bị tác động mạnh.**
- **Trước khi tiến hành bất cứ công việc gì với máy (ví dụ: bảo dưỡng, thay dụng cụ v.v..) tháo pin ra khỏi dụng cụ điện.** Có nguy cơ gây thương tích khi vô tình làm kích hoạt công tắc bật/tắt.

Hướng phay và quá trình phay (xem Hình E)

- **Quá trình phay phải luôn được thực hiện theo cùng chiều quay của máy phay (5) (chuyển động cắt đi lên).** Khi phay theo cùng chiều quay của mũi phay (chuyển động cắt đi xuống), máy có thể bị đẩy rời ra, làm cho người sử dụng mất điều khiển.
- **Chỉ sử dụng dụng cụ điện với khuôn bao phay đã lắp (2).** Sự mất điều khiển máy có thể gây thương tích.

Hướng dẫn: Hãy lưu ý rằng máy phay luôn nhô ra (5) khỏi chân đế khuôn bao (10). Không được làm hư hỏng khuôn mẫu hay vật gia công.

Chỉnh độ sâu máy mong muốn.

Mở cho máy hoạt động và đưa máy đến vị trí cần được phay.

Sau khi phay, tắt dụng cụ điện.

- **Không được đặt dụng cụ điện xuống cho đến khi máy phay đã ngừng quay hoàn toàn.** Các dụng cụ cắt vẫn đang còn chạy có thể gây thương tích.

Máy phay có bạc dẫn hướng (xem Hình ảnh F1 – F3)

Nhờ bạc dẫn hướng (22) bạn có thể chuyển các hình dáng của khuôn mẫu hoặc mô hình lên phôi gia công.

Chọn tùy theo độ dày của mô hình cũng như mẫu của tấm mẫu riêng. Do độ cao đặt ra của tấm mẫu, mô hình phải có ruột dày ít nhất 8 mm (xem hình F1).

► Chọn mũi phay có đường kính nhỏ hơn đường kính trong của bạc dẫn hướng.

Hãy vận bốn vít xi lanh ở mặt dưới của tấm hướng dòng ra (9) và tháo tấm hướng dòng.

Hãy lắp bạc dẫn hướng (22) vào tấm hướng dòng (xem Hình F2).

Hãy vận lỏng tấm hướng dòng vào chân đế khuôn bao (10). Tấm hướng dòng vẫn phải có thể chuyển dịch tự do.

Để đảm bảo khoảng cách từ tâm điểm của mũi phay và cạnh của bạc dẫn hướng đều như nhau, nếu cần, phải điều chỉnh bạc dẫn hướng và tấm hướng dòng qua lại với nhau.

- Chính sắp tấm hướng dòng sao cho mũi phay và bạc dẫn hướng nằm thẳng giữa phần trống trong tấm hướng dòng (xem Hình F3).
- Giữ tấm hướng dòng nằm ở vị trí này và siết chặt các vít bắt vào.

Để phay bằng bạc dẫn hướng (22) hãy tiến hành như sau:

- Hãy đặt dụng cụ điện có bạc dẫn hướng (22) lên mô hình.
- Đẩy máy có bạc dẫn hướng nhô ra dọc theo khuôn mẫu, ứng dụng với lực áp nhẹ lên một cạnh.

Phay cạnh hoặc phan hình dạng (xem hình G)

Khi phay biên hay định hình mà không sử dụng đường cặp cạnh, mũi phay phải được trang bị phần trục dẫn hướng hay ổ bạc đạn.

Đẩy máy đang mở ngang từ hông vào vật liệu gia công cho đến khi phần trục dẫn hướng hay ổ bạc đạn của mũi phay giáp vào cạnh của vật liệu gia công.

Đẩy máy dọc theo cạnh của vật liệu gia công. Bảo đảm máy được đặt ở vị trí vuông góc với vật liệu gia công. Dùng sức ép quá mức có thể làm hư cạnh biên của vật gia công.

Phay với thanh cữ (xem Hình H)

Để cắt song song cạnh bạn có thể lắp một thanh cữ (23).

Cố định thanh cữ (23) trên buồng máy cắt (2) bằng vít đầu có khóa (4).

Hãy điều chỉnh độ sâu cữ chặn mong muốn với vít tai hồng tại thanh cữ (24).

Đẩy máy đã được mở với bước tiến đồng đều với lực áp một cạnh lên đường cặp cạnh dọc theo cạnh biên của vật gia công.

Phay với khung tựa ống dẫn (xem hình I)

Khung tựa ống dẫn (25) dùng để phay các cạnh bằng máy phay mà không có chốt dẫn hướng hoặc ổ bi.

Cố định khung tựa ống dẫn trên buồng máy cắt (2) bằng núm (4).

Đẩy máy tới với bước tiến đồng đều dọc theo cạnh biên.

Khoảng cách về phía bên: Để thay đổi lượng cắt bỏ vật liệu, bạn có thể điều chỉnh khoảng cách về phía bên giữa phôi gia công và con lăn (28) ở khung tựa ống dẫn (25).

Hãy nới lỏng vít tai hồng (26), hãy điều chỉnh khoảng cách về phía bên mong muốn bằng cách xoay vít tai hồng (27) và siết chặt vít tai hồng (26) lại.

Chiều cao: Hãy điều chỉnh căn chỉnh hướng dọc của khung tựa ống dẫn tùy theo máy phay đã dùng và độ bền của vật liệu cần gia công.

Nới lỏng núm (4) ở khung tựa ống dẫn, trượt nhẹ khung tựa ống dẫn vào vị trí mong muốn và xiết chặt ốc.

Bảo Dưỡng và Bảo Quản

Bảo Dưỡng Và Làm Sạch

- Trước khi tiến hành bất cứ công việc gì với máy (ví dụ: bảo dưỡng, thay dụng cụ v.v.) tháo pin ra khỏi dụng cụ điện. Có nguy cơ gây thương tích khi vô tình làm kích hoạt công tắc bật/tắt.
- Để được an toàn và máy hoạt động đúng chức năng, luôn luôn giữ máy và các khe thông gió được sạch.

Dịch vụ hỗ trợ khách hàng và tư vấn sử dụng

Bộ phận phục vụ hàng sau khi bán của chúng tôi trả lời các câu hỏi liên quan đến việc bảo dưỡng và sửa chữa các sản phẩm cũng như phụ tùng thay thế của bạn. Sơ đồ mô tả và thông tin về phụ tùng thay thế cũng có thể tra cứu theo dưới đây:

www.bosch-pt.com

Đội ngũ tư vấn sử dụng của Bosch sẽ giúp bạn giải đáp các thắc mắc về sản phẩm và phụ kiện.

Trong tất cả các phản hồi và đơn đặt phụ tùng, xin vui lòng luôn luôn nhập số hàng hóa 10 chữ số theo nhãn của hàng hóa.

Việt Nam

CN CÔNG TY TNHH BOSCH VIỆT NAM TẠI TP.HCM

Tầng 14, Ngôi Nhà Đức, 33 Lê Duẩn

Phường Bến Nghé, Quận 1, Thành Phố Hồ Chí

Minh
 Tel.: (028) 6258 3690
 Fax: (028) 6258 3692 - 6258 3694
 Hotline: (028) 6250 8555
 Email: tuvankhachhang-pt@vn.bosch.com
www.bosch-pt.com.vn
www.baohanhbosch-pt.com.vn

Xem thêm địa chỉ dịch vụ tại:

www.bosch-pt.com/serviceaddresses

Vận chuyển

Pin Li-Ion được khuyến nghị là đối tượng phải tuân theo các quy định của Pháp Luật về Hàng Hóa Nguy Hiểm. Người sử dụng có thể vận chuyển pin hợp khối bằng đường bộ mà không cần thêm yêu cầu nào khác.

Khi được vận chuyển thông qua bên thứ ba (vd. vận chuyển bằng đường hàng không hay đại lý giao nhận), phải tuân theo các yêu cầu đặc biệt về đóng gói và dán nhãn. Phải tham vấn chuyên gia về hàng hóa nguy hiểm khi chuẩn bị gói hàng.

Chỉ gửi pin hợp khối khi vỏ ngoài không bị hư hỏng. Dán băng keo hay che kín các điểm tiếp xúc hở và đóng gói pin hợp khối theo cách sao cho pin không thể xé dịch khi nằm trong bao bì. Ngoài ra, xin vui lòng chấp hành các quy định chi tiết có thể được bổ sung thêm của quốc gia.

Sự tái bỏ



Dụng cụ điện, pin, phụ kiện và bao bì cần được tái sử dụng theo quy định về môi trường.



Bạn không được ném dụng cụ điện và pin vào thùng rác gia đình!

Pin/ác quy:

Li-Ion:

Tuân thủ những hướng dẫn trong phần vận chuyển (xem „Vận chuyển“, Trang 59).

مخصص للاستعمال الخارجي من خطر الصدمات الكهربائية.

إن لم يكن بالإمكان تجنب تشغيل العدة الكهربائية في الأجواء الرطبة، فاستخدم مفتاح للوقاية من التيار المتخلف. إن استخدام مفتاح للوقاية من التيار المتخلف يقلل خطر الصدمات الكهربائية.

أمان الأشخاص

كن يقظا وانتبه إلى ما تفعله واستخدم العدة الكهربائية بتعقل. لا تستخدم عدة كهربائية عندما تكون متعبا أو عندما تكون تحت تأثير المخدرات أو الكحول أو الأدوية. عدم الانتباه للحظة واحدة عند استخدام العدة الكهربائية قد يؤدي إلى إصابات خطيرة.

قم لارتداء تجهيزات الحماية الشخصية. وارتد دائما نظارات واقية. يحد ارتداء تجهيزات الحماية الشخصية، كقناع الوقاية من الغبار وأحذية الأمان الواقية من الانزلاق والوذو أو واقية الأذنين، حسب ظروف استعمال العدة الكهربائية، من خطر الإصابة بجروح.

تجنب التشغيل بشكل غير مقصود. تأكد من كون العدة الكهربائية مطفأة قبل توصيلها بالتيار الكهربائي و/أو بالمركب، وقبل رفعها أو حملها. إن كنت تضع إصبعك على المفتاح أثناء حمل العدة الكهربائية أو إن وصلت الجهاز بالشبكة الكهربائية بينما لا مفتاح على وضع التشغيل، قد يؤدي إلى وقوع الحوادث.

انزع أداة الضبط أو مفتاح الربط قبل تشغيل العدة الكهربائية. قد تؤدي الأداة أو المفتاح المتواجد في جزء دوار من الجهاز إلى الإصابة بجروح.

تجنب أوضاع الجسم غير الطبيعية. قف بأمان وحافظ على توازنك دائما. سيسمح لك ذلك بالتمكّن في الجهاز بشكل أفضل في الموافف الغير متوقعة.

قم بارتداء ثياب مناسبة. لا ترتد الثياب الفضفاضة أو الحللى. احرص على إبقاء الشعر والملابس بعيدا عن الأجزاء المتحركة. قد تشابك الثياب الفضفاضة والحلى والشعر الطويل بالأجزاء المتحركة.

إن جاز تركيب تجهيزات شفت وتجميع الغبار، فتأكد من أنها موصولة وبأنه يتم استخدامها بشكل سليم. قد يقلل استخدام تجهيزات لشفت الغبار من المخاطر الناتجة عن الغبار.

لا تستخدم العدة الكهربائية بلا مبالاة وتتجاهل قواعد الأمان الخاصة بها نتيجة لتعودك على استخدام العدة الكهربائية وكثرة استخدامها. فقد يتسبب الاستخدام دون حرص في حدوث إصابة بالغة تحدث في أجزاء من الثانية.

حسن معاملة واستخدام العدد الكهربائية لا تفرط بتحميل الجهاز. استخدم لتنفيذ أشغالك العدة الكهربائية المخصصة لذلك. إنك تعمل بشكل أفضل وأكثر أمنا بواسطة العدة الكهربائية الملائمة في مجال الأداء المذكور.

لا تستخدم العدة الكهربائية إن كان مفتاح تشغيلها تالف. العدة الكهربائية التي لم يعد من

عربي

إرشادات الأمان

الإرشادات العامة للأمان بالعدد الكهربائية

تحذير اطلع على كافة تحذيرات الأمان والتعليمات والصور والمواصفات المرفقة بالعدة الكهربائية. عدم اتباع التعليمات الواردة أدناه قد يؤدي إلى حدوث صدمة كهربائية، إلى نشوب حريق و/أو الإصابة بجروح خطيرة.

احتفظ بجميع الملاحظات التحذيرية والتعليمات للمستقبل.

يقصد بمصطلح «العدة الكهربائية» المستخدم في الملاحظات التحذيرية، العدد الكهربائي الموصولة بالشبكة الكهربائية (بواسطة كابل الشبكة الكهربائية) وأيضاً العدد الكهربائي المزودة بمركب (دون كابل الشبكة الكهربائية).

الأمان بمكان الشغل

حافظ على نظافة مكان شغلك وإضاءته بشكل جيد. الفوضى في مكان الشغل ونطاقات العمل غير المضاة قد تؤدي إلى وقوع الحوادث.

لا تشتغل بالعدة الكهربائية في نطاق معرض لخطر الانفجار مثل الأماكن التي تتوفر فيه السوائل أو الغازات أو الأبخرة القابلة للاشتعال. العدد الكهربائي تولد شررا قد يتطاير، فيشعل الأبخرة والأبخرة.

حافظ على بقاء الأطفال وغيرهم من الأشخاص بعيدا عندما تستعمل العدة الكهربائية. تشتيت الانتباه قد يتسبب في فقدان السيطرة على الجهاز.

الأمان الكهربائي

يجب أن يتلائم قابس العدة الكهربائية مع المقبس. لا يجوز تغيير القابس بأي حال من الأحوال. لا تستعمل القوايس المهينة مع العدد الكهربائية المؤرّضة (ذات طرف أرضي). تخفّض القوايس التي لم يتم تغييرها والمقابس الملائمة من خطر الصدمات الكهربائية.

تجنب ملامسة جسمك للأسطح المؤرّضة كالأنابيب والمبردات والمواقد أو التلّاجات. يزداد خطر الصدمات الكهربائية عندما يكون جسمك مؤرّض أو موصول بالأرضي.

أبعد العدة الكهربائية عن الأمطار أو الرطوبة. يزداد خطر الصدمات الكهربائية إن تسرب الماء إلى داخل العدة الكهربائية.

لا تسيّ استعمال الكابل. لا تستخدم الكابل في حمل العدة الكهربائية أو سحبها أو سحب القابس من المقبس. احرص على إبعاد الكابل عن الحرارة والزيت والحواف الحادة أو الأجزاء المتحركة. تزيد الكابلات التالفة أو المتشابكة من خطر الصدمات الكهربائية.

عند استخدام العدة الكهربائية خارج المنزل اقتصر على استخدام كابلات التمديد الصالحة للاستعمال الخارجي. يقلل استعمال كابل تمديد

- ذلك. قد يؤدي سائل المرمك المتسرب إلى تهيج البشرة أو إلى الاحتراق.
- ◀ لا تستخدم عدة أو مرمك تعرضاً لأضرار أو للتعديل. البطاريات المتعرضة لأضرار أو لتعديلات قد ينتج عنها أشياء لا يمكن التنبؤ بها، قد تسبب نشوب حريق أو حدوث انفجار أو إصابات.
- ◀ لا تعرض المرمك أو العدة للهب أو لدرجة حرارة زائدة. التعرض للهب أو لدرجة حرارة أعلى من 130 °م قد يتسبب في انفجار.
- ◀ اتبع تعليمات الشحن ولا تقم بشحن المرمك أو العدة خارج نطاق درجة الحرارة المحدد في التعليمات. الشحن بشكل غير صحيح أو في درجات حرارة خارج النطاق المحدد قد يعرض المرمك لأضرار ويزيد من مخاطر الحريق.

الخدمة

- ◀ احرص على إصلاح عدتك الكهربائية فقط بواسطة العمال المتخصصين وباستعمال قطع الغيار الأصلية فقط. يضمن ذلك المحافظة على أمان الجهاز.
- ◀ لا تقم بإجراء أعمال خدمة على المراكم التالفة. أعمال الخدمة على المراكم يجب أن تقوم بها الجهة الصانعة فقط أو مقدم الخدمة المعتمد.

إرشادات الأمان لماكينات تفريز الحواف

- ◀ استخدم قامطات أو طريقة عملية أخرى لتأمين قطعة الشغل وتدعيمها على منصة ثابتة. مسك قطعة الشغل بيديك أو سندها على جسمك يجعلها غير ثابتة وقد يؤدي إلى فقدان السيطرة.
- ◀ يجب أن يوافق عدد لفات لقمة الفرز المسموع به عدد اللفات الأقصى المذكور على العدة الكهربائية على الأقل. إن لقم الفرز التي تدور بسرعة تزيد عن السرعة المسموحة، قد تنكسر وتتطاير.
- ◀ يجب أن تناسب لقمة الفرز والتوابع الأخرى حاضن العدة (ملقمة التثبيت) لعدتك الكهربائية بالضبط. إن عدد الشغل التي لا تتلائم مع حاضن عدد العدة الكهربائية بشكل دقيق تدور بشكل غير منتظم وتهتز بشدة وقد تؤدي إلى فقدان التحكم بالعدة.
- ◀ وجه العدة الكهربائية نمو قطعة الشغل فقط عندما تكون في حالة التشغيل. قد يتشكل خطر الصدمات الارتدادية إن تكلبت عدة الشغل في قطعة الشغل.
- ◀ لا تقوم بالتفريز أبداً عبر القطع المعدنية أو المسامير واللواكب. قد تتلف لقمة الفرز، فتؤدي إلى اهتزازات زائدة.
- ◀ استخدم أجهزة تنقيب ملائمة للعثور على خطوط الإمداد غير الظاهرة، أو استعن بشركة الإمداد العملية. ملامسة الخطوط الكهربائية قد تؤدي إلى اندلاع النار وإلى الصدمات الكهربائية. حدوث أضرار بخطر الغاز قد يؤدي إلى حدوث انفجارات. اختراق خط الماء يتسبب في وقوع أضرار مادية.

- الممكن التحكم بها عن طريق مفتاح التشغيل والإطفاء تعتبر خطيرة ويجب أن يتم إصلاحها.
- ◀ اسحب القابس من المقبس و/أو اخلع المرمك، إذا كان قابلاً للخلع، قبل ضبط الجهاز وقبل استبدال الملحقات أو قبل تخزين الجهاز. تمنع هذه الإجراءات وقائية تشغيل العدة الكهربائية بشكل غير مقصود.
- ◀ احتفظ بالعدد الكهربائية التي لا يتم استخدامها بعيداً عن متناول الأطفال. لا تسمح باستخدام العدة الكهربائية لمن لا خبرة له بها أو لمن لم يقرأ تلك التعليمات. العدد الكهربائي خطيرة إن تم استخدامها من قبل أشخاص دون خبرة.
- ◀ اعتن بالعدة الكهربائية والملحقات بشكل جيد. تأكد أن أجزاء الجهاز المتحركة مركبة بشكل سليم وغير مستعصية عن الحركة، وتفحص ما إن كانت هناك أجزاء مكسورة أو في حالة تؤثر على سلامة أداء العدة الكهربائية. ينبغي إصلاح هذه الأجزاء التالفة قبل إعادة تشغيل الجهاز. الكثير من الحوادث مصدرها العدد الكهربائي التي تتم صيانتها بشكل رديء.
- ◀ احرص على إبقاء عدد القطع نظيفة وحادة. إن عدد القطع ذات حواف القطع المادة التي تم صيانتها بعناية تتكلم بشكل أقل ويمكن توجيهها بشكل أيسر.
- ◀ استخدم العدد الكهربائي والتوابع وريش الشغل إلخ. وفقاً لهذه التعليمات. تراعى أثناء ذلك ظروف الشغل والعمل المراد تنفيذه. استخدام العدد الكهربائي لغير الأشغال المخصصة لأجلها قد يؤدي إلى حدوث الحلات الخطيرة.
- ◀ احرص على إبقاء المقابض وأسطح المسك جافة ونظيفة وخالية من الزيوت والشحوم. المقابض وأسطح المسك الزلقة لا تتبع التشغيل والتحكم الأمان في العدة في المواقف غير المتوقعة.
- حسن معاملة واستخدام العدد المزودة بمرمك اشحن المراكم فقط في أجهزة الشحن التي يُنصح باستخدامها من طرف المنتج. قد يتسبب جهاز الشحن المخصصة لنوع معين من المراكم في خطر الحريق إن تم استخدامه مع نوع آخر من المراكم.
- ◀ استخدم العدد الكهربائي فقط مع المراكم المصممة لهذا الغرض. قد يؤدي استخدام المراكم الأخرى إلى إصابات وإلى خطر نشوب الحرائق.
- ◀ حافظ على إبعاد المرمك الذي لا يتم استعماله عن مشابك الورق وقطع النقود المعدنية والمفاتيح والمسامير واللواكب أو غيرها من الأغراض المعدنية الصغيرة التي قد تقوم بتوصيل الملامسين ببعضهما البعض. قد يؤدي تقصير الدارة الكهربائية بين ملامسي المرمك إلى الاحتراق أو إلى اندلاع النار.
- ◀ قد يتسرب السائل من المرمك في حالة سوء الاستعمال. تجنب ملامسته. اشطفه بالماء في حال ملامسته بشكل غير مقصود. إن وصل السائل إلى العينين، فراجع الطبيب إضافة إلى

- ◀ لا تستخدم لقم الفرز الثالثة أو التالفة. إن لقم الفرز الثالثة أو التالفة تنتج احتكاك زائد، وقد تنقمت وتؤدي إلى اختلال التوازن.
 - ◀ **انتظر إلى أن تتوقف العدة الكهربائية عن الحركة قبل أن تضعها جانباً.** قد تتكبد عدة الشغل فتؤدي إلى فقدان السيطرة على العدة الكهربائية.
 - ◀ **قد تنطلق أبخرة عند تلف المرمك واستخدامه بطريقة غير ملائمة. يمكن أن يحترق المرمك أو يتعرض للانفجار.** أمن توفر الهواء النقي وراجع الطبيب إن شعرت بشكوى. قد تهيج هذه الأبخرة المجاري التنفسية.
 - ◀ **لا تفتح المرمك.** يتشكل خطر تقصير الدائرة الكهربائية.
 - ◀ **يمكن أن يتعرض المرمك لأضرار من خلال الأشياء المعدنية مثل المسامير والمفكات أو من خلال تأثير القوى الخارجية.** وقد يؤدي هذا إلى تقصير الدائرة الكهربائية الداخلية واحترق المرمك أو خروج الأبخرة منه أو انفجاره وتعرضه لسخونة مفرطة.
 - ◀ **اقتصر على استخدام المرمك في منتجات الجهة الصانعة.** يتم حماية المرمك من فرط التحميل الخطير بهذه الطريقة فقط دون غيرها.
 - احرص على حماية المرمك من الحرارة، بما ذلك التعرض لأشعة الشمس باستمرار ومن النار والانساخ والماء والرطوبة.** حيث ينشأ خطر الانفجار وخطر حدوث دائرة قصر.
- (7) الظرف الطوقي
 - (8) زر تثبيت محور الدوران
 - (9) اللوح الانزلاقي
 - (10) قاعدة الارتكاز
 - (11) مهائئ لشفط الغبار
 - (12) لولب مجنح لسلة التفريز
 - (13) مفتاح التشغيل والإطفاء
 - (14) المرمك^(a)
 - (15) زر فك إقفال المرمك^(a)
 - (16) طارة ضبط عدد اللفات مسبقاً
 - (17) مقبض (مقبض مسك معزول)
 - (18) ضوء العمل
 - (19) تدريج ضبط عمق الفرز
 - (20) حاضن العدة
 - (21) مفتاح هلال (13 مم، 17 مم)
 - (22) شبلونة النسخ^(a)
 - (23) مصدر التوازي
 - (24) لولب مجنح لمصدر التوازي
 - (25) مساعد توجيه^(a)
 - (26) لولب مجنح لتثبيت الاستواء الأفقي^(a)
 - (27) لولب مجنح للاستواء الأفقي الخاص بمساعد التوجيه^(a)
 - (28) بكرة انزلاقية^(a)
 - (29) مهائئ الشفط^(a)
 - (30) خرطوم الشفط^(a)
- (a) لا يتضمن إطار التوريد الاعتيادي التوابع المصورة أو المشروحة. تجد التوابع الكاملة في برنامجنا للتوابع.



وصف المنتج والأداء

اقرأ جميع إرشادات الأمان والتعليمات. ارتكاب الأخطاء عند تطبيق إرشادات الأمان والتعليمات، قد يؤدي إلى حدوث صدمات الكهربائية أو إلى نشوب الحرائق و/أو الإصابة بجروح خطيرة.



يرجى الرجوع إلى الصور الموجودة في الجزء الأول من دليل التشغيل.

الاستعمال المخصص

لقد خصصت العدة الكهربائية لفرز المزوز والحواف والأشكال الجانبية والثقوب الطولية بالخشب واللداثن ومواد البناء الخفيفة بالتركيز الثابت وتصلح أيضاً لفرز النسخ.

الأجزاء المصورة

يشير ترقيم الأجزاء المصورة إلى الصورة المعروضة للعدة الكهربائية في صفحة الرسوم.

- (1) وحدة الدفع
- (2) سلة التفريز
- (3) لولب محزز لسلة التفريز
- (4) لولب محزز لمصدر التوازي/مساعد التوجيه
- (5) لقمة الفرز^(a)
- (6) صامولة وصل مع ظرف طوقي

البيانات الفنية

فارزة حواف		رقم الصنف
GLF 18V-8		3601 FC60..
18	فلط ^(a)	الجهد الاسمي
30000-10000	لفة/ دقيقة	عدد اللفات اللاحملي المقدر ^(A)
●		ضبط عدد اللفات مسبقاً
●		المثبت الإلكتروني
●		وصلة شفط الغبار
6/8	مم	أظرف طوقية متوافقة
"1/4	بوصة	
2,5-1,5	كجم	الوزن ^(B)
35+ ... 0	م°	درجة الحرارة المحيطة الموصى بها عند الشحن
50+ ... 20-	م°	درجة الحرارة المحيطة المسموحة عند التشغيل ^(C) وعند التخزين
GBA 18V...		المراكم الموصى بها
ProCORE18V...		

نوع المرمك GBA 18V...



السعة	لمبة LED
% 100-60	ضوء مستمر ×3 أخضر
% 60-30	ضوء مستمر ×2 أخضر
% 30-5	ضوء مستمر ×1 أخضر
% 5-0	ضوء وماض ×1 أخضر

نوع المرمك ProCORE18V...



السعة	لمبة LED
% 100-80	ضوء مستمر ×5 أخضر
% 80-60	ضوء مستمر ×4 أخضر
% 60-40	ضوء مستمر ×3 أخضر
% 40-20	ضوء مستمر ×2 أخضر
% 20-5	ضوء مستمر ×1 أخضر
% 5-0	ضوء وماض ×1 أخضر

ملاحظات للتعامل مع المرمك بطريقة مثالية

قم بحماية المرمك من الرطوبة والماء. لا تقم بتخزين المرمك إلا في نطاق درجة حرارة يقع بين -20°م وحتى 50°م. لا تترك المرمك في السيارة في فصل الصيف مثلاً. نظف فتحات التهوية بالمرمك من فترة لأخرى، بواسطة فرشاة طرية ونظيفة وجافة. إذا انخفضت فترة التشغيل بعد الشحن بدرجة كبيرة فهذا يعني أن المرمك قد استهلك وأنه يجب استبداله. تراعى الإرشادات عند التخلص من العدد.

التركيب

◀ أخرج المرمك من العدة الكهربائية قبل إجراء أي أعمال على العدة الكهربائية (على سبيل المثال الصيانة، واستبدال العدد، وما شابه). هناك خطر إصابة بجروح في حالة الضغط على مفتاح التشغيل والإطفاء بشكل غير مقصود.

استبدال العدد

◀ ينصح بارتداء قفازات واقية عند تركيب واستبدال لقم الفرز.

يمكنك الحصول على عدد الفرز الأصلية من برنامج Bosch للملحقات أو من التاجر المتخصص.

خلع سلة الفرز (انظر الصورة A)

قبل تركيب لقم الفرز، يجب أولاً فصل سلة الفرز (2) عن وحدة الدفع (1).

افتح اللولب المرنج (12) بسلة الفرز (2).

اخلع وحدة الدفع بجذباها إلى أعلى.

فازرة حواف GLF 18V-8

أجهزة الشحن الموصى بها
GAL 18...
GAX 18...
GAL 36...

(A) مقاسة عند درجة حرارة 20-25°م مع مرمك ProCORE18V 4.0Ah

(B) حسب المرمك المستخدم

(C) قدرة محدودة في درجات الحرارة > 0°م

قد تختلف القيم حسب المنتج وظروف الاستخدام والبيئة. المزيد من المعلومات على موقع الإنترنت www.bosch-professional.com/wac.

مرمك

تبيع شركة Bosch العدد الكهربائي العاملة بمرمك دون مرمك أيضاً. يمكنك أن تعرف من العبوة ما إذا كان المرمك موجود ضمن مجموعة التجهيزات المورددة مع العدة الكهربائية الخاصة بك.

شحن المرمك

◀ اقتصر على استخدام أجهزة الشحن المذكورة في المواصفات الفنية. أجهزة الشحن هذه دون غيرها هي المتوائمة مع مرمك أيونات الليثيوم المستخدم في عدتك الكهربائية.

ملحوظة: يتم تسليم مراكم أيونات الليثيوم مشحونة جزئياً وفقاً للوائح النقل الدولية. لضمان قدرة أداء المرمك الكاملة، يتوجب شحن المرمك بشكل كامل قبل الاستعمال لأول مرة.

تركيب المرمك

أدخل المرمك المشحون في موضع تثبيت المرمك إلى أن يثبت بشكل ملموس.

نزع المرمك

ملحوظة: لا تخرج المرمك إلا والعدة الكهربائية متوقفة.

لقلع المرمك اضغط على زر تحرير المرمك وأخرج المرمك. لا تستخدم القوة أثناء ذلك.

يمتاز المرمك بدرجةتي إقفال اثنتين، تمنعان سقوط المرمك للخارج في حال ضغط زر فك إقفال المرمك بشكل غير مقصود. يتم تثبيت المرمك بواسطة نابض ما دام مركباً في العدة الكهربائية.

مبين حالة شحن المرمك

ملحوظة: ليست كل أنواع المراكم تحتوي على مبين حالة شحن.

تشير مصابيح الدابود الخضراء الفاصة بمبين حالة شحن المرمك لحالة شحن المرمك. لأسباب تتعلق بالسلامة فإنه لا يمكن الاستعلام عن حالة الشحن إلا والعدة الكهربائية متوقفة.

اضغط على زر مبين حالة الشحن ⑥ أو ⑦ لعرض حالة الشحن. يمكن هذا أيضاً والمرمك مخرج.

إذا لم يضيء أي مصباح دابود بعد الضغط على زر مبين حالة الشحن، فهذا يعني أن المرمك تالف ويجب تغييره.

قد تكون مضرّة بالصحة. إن ملامسة أو استنشاق غبار قد يؤدي إلى أعراض حساسية و/أو إلى أمراض الجهاز التنفسي لدى المستخدم أو لدى الأشخاص المتواجدين على مقربة من المكان. تعتبر بعض الأغبرة المعينة، كأغبرة البلوط والزان، مسببة للسرطان، ولا سيما عند الارتباط بالمواد الإضافية لمعالجة الخشب (ملح جامض الكروميك، المواد الحافظة للخشب). يجوز أن يتم معالجة المواد التي تحتوي على الأسبتوس من قبل العمال المتخصصين فقط دون غيرهم.

- استخدم شافطة غبار ملائمة للمادة قدر الإمكان.
- حافظ على تهوية مكان الشغل بشكل جيد.
- ينصح بارتداء قناع وقاية للتنفس بفئة المرشع P2. تراعى الأحكام السارية في بلدكم بالنسبة للمواد المرغوب معالجتها.

◀ **تجنب تراكم الغبار بمكان العمل.** يجوز أن تشتعل الأغبرة بسهولة.

تركيب مهائئ الشفط

ينبغي تنظيف مهائئ الشفط (29) بشكل منتظم لتأمين عملية شفط مثالية.

توصيل شافطة الغبار (انظر الصورة D)

قم بتركيب مهائئ شفط الغبار (11) في العدة الكهربائية من الأمام. فيثبت بصوت مسموع. لغرض الفك أمسك المهائئ (11) من الجانب واسحبها إلى الأمام.

قم بتركيب خرطوم شفط (بقطر 35 مم) (30) (التوايح) أو مهائئ الشفط (29) (التوايح). قم بتوصيل خرطوم الشفط (30) بشفاط الغبار (التوايح). يجب أن تصلع شافطة الغبار الخوائية للاستعمال مع مادة الشغل المرغوب معالجتها. استخدم شافطة غبار خوائية خاصة عند شفط الأغبرة المضرة بالصحة أو المسببة للسرطان أو شديدة الجفاف.

التشغيل

ضبط عمق الفرز

◀ **يمكن ضبط عمق الفرز فقط عند إيقاف العدة الكهربائية.**

- ضع العدة الكهربائية مع لقمة الفرز التي تم تركيبها على قطعة الشغل المرغوب معالجتها.
- افتح اللولب المجنع (12) بسلة التفريز (2) مجددًا لضبط عمق التفريز المرغوب باستخدام تدريج ضبط عمق التفريز (19) إما يدويًا أو باستخدام اللولب المحزز (3).
- أغلق اللولب المجنع (12) بسلة التفريز (2).
- افحص وضع الضبط المحدد لعمق التفريز من خلال محاولة فعلية، وقم بتصحيحها عند اللزوم.

بدء التشغيل

ضبط عدد الدوران مسبقًا

يمكنك بواسطة طارة ضبط عدد الدوران مسبقًا (16) ضبط عدد اللفات المطلوب مسبقًا حتى أثناء التشغيل.

تغيير الظر الطوقي (انظر الصورة B)

تبعًا للقمة الفرز المستخدمة يجب قبل تركيب لقمة الفرز تغيير الظرف الطوقي مع صامولة الوصل (6). في حالة تركيب الظرف الطوقي الصحيح للقمة الفرز الخاصة بك اتبع خطوات العمل التالية في الفصل التالي.

يجب أن يتركز الظرف الطوقي داخل صامولة الوصل مع وجود بعض الخلوص. يجب أن يكون الظرف الطوقي مع صامولة الوصل (6) سهل التركيب. في حالة تعرض صامولة الوصل أو الظرف الطوقي لأضرار فقم باستبدالهما على الفور.

اضغط على زر تثبيت محور الدوران (8) واحتفظ به مضغوطًا. أدر عند اللزوم محور دوران الممرك يدويًا، حتى يثبت.

قم بفك صامولة الوصل (6) بإدارتها عكس اتجاه عقارب الساعة باستخدام مفتاح هلال (21). اترك زر تثبيت محور الدوران .

ملاحظة: كبديل لتغيير الظرف الطوقي (دون الضغط على زر تثبيت محور الدوران (8)): ضع مفتاحي ربط على العمود باستخدام وصلة ثنائية الأوجه لفك صامولة الوصل (6) أو ربطها.

عند الضرورة، نظف قبل التركيب جميع القطع المرغوب تركيبها باستخدام فرشاة ناعمة أو من خلال نفخها بالهواء المضغوط.

ضع صامولة الزنق الجديدة على حاضن العدة (20). شد صامولة الزنق دون إحكام.

◀ **لا تقم أبدًا بإحكام ربط الظرف الطوقي مع صامولة الزنق طالما أن لقمة الفرز غير مركبة.** وإلا فقد يتعرض الظرف الطوقي للضرر.

تركيب لقمة الفرز (انظر الصورة C2 - C1)

تتوفر لقم الفرز بطرازات ونوعيات مختلفة حسب غرض الاستخدام المطلوب.

تعد لقم الفرز المصنوعة من الفولاذ عالي الكفاءة وسريع القطع (HSS) مناسبة للعمل على المواد اللينة مثل الخشب اللين والبلاستيك.

لقم الفرز ذات حواف القطع من المعدن الصلب (HM) ثلاثم بشكل خاص الغامات الصلبة والماكّة مثل الخشب الصلب والألومنيوم.

يمكنك الحصول على عدد الفرز الأصلية من برنامج بوش للملحقات أو من التاجر المتخصص.

ركب لقم الفرز السليمة والتنظيف فقط.

تركيب سلة الفرز (انظر الصورة A)

للقيام بعملية الفرز، يجب تركيب سلة الفرز (2) مرة أخرى على وحدة الدفع (1).

افتح اللولب المجنع (12) بسلة الفرز (2). أدخل وحدة الدفع (1) في سلة الفرز (2). أغلق اللولب المجنع (12) بسلة الفرز (2).

ملاحظة: يمكن تبديل اللولب المجنع (12) واللولب المحزز (3) مع بعضهما.

◀ **تأكد دائمًا بعد التركيب من إحكام تثبيت وحدة الدفع في سلة الفرز.**

شفط الغبار/النشارة

إن غبار بعض المواد كالتلاخ الذي يحتوي على الرصاص، وبعض أنواع الخشب والفلزات والمعادن،

◀ لا تستعمل العدة الكهربائية إلا عند تركيب

سلة الفرز (2). فقدان التحكم في العدة الكهربائي، فقد ينتج عنه الإصابة بجروح.
ملاحظة: يراعى دائمًا خلع لقمة الفرز (5) من صفيحة القاعدة (10). لا تتلف القالب أو قطعة الشغل.
قم بضبط عمق الفرز المرغوب.
شغل العدة الكهربائية ووجهها نحو المكان المرغوب معالجته.

أوقف العدة الكهربائية بعد إنهاء الفرز.

◀ لا تترك العدة الكهربائية أبدًا إلا عند توقف

لقمة الفرز عن الحركة تمامًا. الدوران المتتابع لعدد الشغل قد ينتج عنه إصابات.

التفريز مع جلبية النسخ (انظر الصورة F1 - F3)

بمساعدة جلبية النسخ (22) يمكن نقل الملامح من النماذج أو القوالب لقطعة الشغل.

اختر جلبية النسخ المناسبة حسب سمك القالب أو النموذج. نظرًا للارتفاع الكبير لجلبية النسخ يجب ألا يقل سمك القالب عن 8 مم (انظر الصورة F1).

◀ اختر لقمة فرز قطرها أصغر من القطر الداخلي لجلبية النسخ.

قم بفك اللوالب الأسطوانية الرأس الأربعة الموجودة بالجانب السفلي من اللوح الانزلاقي (9) واخلع اللوح الانزلاقي.
قم بتركيب جلبية النسخ (22) في صفيحة الازلاق (انظر الصورة F2).

اربط اللوح الانزلاقي المفكوك مرة أخرى على صفيحة القاعدة (10). يجب أن يبقى اللوح الانزلاقي طليق الحركة.

لكي يكون البعد بين منتصف لقمة الفرز وحافة جلبية النسخ متساويًا في كل الأماكن، فقد يتوجب عند الضرورة ضبط مركزه جلبية النسخ واللوح الانزلاقي بالنسبة بالنسبة لبعضهم بعضًا.

- وجه اللوح الانزلاقي بحيث تتمركز لقمة الفرز وجلبية النسخ لتواجه الفتحة في اللوح الانزلاقي (انظر الصورة F3).

- حافظ على اللوح الانزلاقي بهذا الوضع وأحكام شد لوالب التثبيت.

للقيام بعملية الفرز باستخدام جلبية النسخ (22) تصرف كالتالي:

- ضع العدة الكهربائية مع جلبية النسخ (22) على القالب.

- وجه العدة الكهربائية مع جلبية النسخ البارزة بضغط جانبي خفيف على امتداد مسار القالب.

فرز الحواف أو الأشكال (انظر الصورة G)

عند فرز الحواف أو الأشكال دون مصد التوازي يجب أن تكون لقمة الفرز مجهزة بمحمل كريات أو بمحمل كريات.

وجه العدة الكهربائية بعد تشغيلها نحو قطعة الشغل من الجانب إلى أن يتلامس الودد الدليلي أو محمل الكريات الخاص بلقمة الفرز مع حافة قطعة الشغل المرغوب معالجتها.

وجه العدة الكهربائية على امتداد مسار حافة قطعة الشغل. انتبه أثناء ذلك على تركيزها بشكل يوافق

وضع عجلة الضبط	عدد اللفات [دقيقة ⁺]	عدد لفات
1-2	10000-14000	عدد لفات منخفض
3-4	18000-24000	عدد لفات متوسط
5-6	26000-30000	عدد لفات مرتفع

إن القيم المذكورة في الجدول التالي عبارة عن قيم دلالية. يرتبط عدد اللفات المطلوب بقطعة الشغل وظروف العمل ويمكن تقديره من خلال التجربة العملية.

مادة الشغل	قطر لقمة الفرز [مم]	وضع عجلة الضبط
الخشب الصلب (الزان)	4-10	5-6
	12-20	3-4
	20 <	1-2
الخشب اللين (الصنوبر)	10-4	5-6
	12-20	3-6
	20 <	1-3
ألواح الخشب المضغوط	4-10	3-6
	12-20	2-4
	20 <	1-3
البلاستيك	4-15	2-3
	15 <	1-2

بعد العمل لفترة طويلة بعدد لفات منخفض ينبغي إدارة العدة الكهربائية لبعض الوقت بأقصى عدد لفات من أجل تبريدها.

التشغيل والإطفاء

لغرض تشغيل العدة الكهربائية اضبط مفتاح التشغيل والإطفاء (13) على الوضع أ.

لغرض إطفاء العدة الكهربائية اضبط مفتاح التشغيل والإطفاء (13) على الوضع 0.

المثبت الإلكتروني

يحافظ المثبت الإلكتروني على شبه ثبات عدد الدوران عند التشغيل دون حمل والتشغيل مع حمل، مما يضمن قدرة عمل منتظمة.

إرشادات العمل

◀ قم بحماية لقم الفرز من الدفع والصدمات.

◀ أخرج المرحم من العدة الكهربائية قبل إجراء أي أعمال على العدة الكهربائية (على سبيل المثال الصيانة، واستبدال العدد، وما شابه). هناك خطر إصابة بجروح في حالة الضغط على مفتاح التشغيل والإطفاء بشكل غير مقصود.

اتجاه التفريز وعملية التفريز (انظر الصورة E)

◀ يجب أن تتم عملية الفرز دائمًا عكس اتجاه دوران لقمة الفرز (5) (دوران عكسي). في حالة الفرز في اتجاه الدوران (دوران في نفس الاتجاه) يمكن أن تنزلق العدة الكهربائية من يدك.

المغرب

Robert Bosch Morocco SARL

53, شارع الملازم محمد محروود

20300 الدار البيضاء

الهاتف: 212 5 29 31 43 27

البريد الإلكتروني: sav.outillage@ma.bosch.com

تجد المزيد من عناوين الخدمة تحت:

www.bosch-pt.com/serviceaddresses

النقل

تخضع مراكم أيونات الليثيوم الموصى بها لاشتراطات قانون المواد الخطرة. يسمح للمستخدم أن يقوم بنقل المراكم على الطرقات دون التقيد بأية شروط إضافية.

عندما يتم إرسالها عن طريق طرف آخر (مثلاً: الشحن الجوي أو شركة شحن)، يتوجب التقيد بشروط خاصة بصدد التغليف ووضوح العلامات. ينبغي استشارة خبير متخصص بنقل المواد الخطرة عندما يرغب بتحضير المرمك المراد شحنه في هذه الحالة.

لا تقوم بشحن المراكم إلا إذا كان هيكلها الخارجي سليماً. قم بتغطية الملامسات المكشوفة بلاصقات، وقم بتغليف المرمك بحيث لا يتحرك في الطرد. يرجى أيضاً مراعاة التشريعات المحلية المتعلقة إن وجدت.

التخلص من العدة الكهربائية

يجب التخلص من العدة الكهربائية والمركم والتوابع والتغليف بطريقة صديقة للبيئة عن طريق النفايات القابلة لإعادة التصنيع.

لا تلقِ العدد الكهربائية والمراكم/البطاريات ضمن النفايات المنزلية!

**المراكم/البطاريات:****مراكم أيونات الليثيوم:**

يرجى مراعاة الإرشادات الواردة في جزء النقل (انظر „النقل“، الصفحة 66).

الزاوية المطلوبة. قد يؤدي الضغط الزائد إلى إتلاف حافة قطعة الشغل.

الفرز مع مصد التوازي (انظر الصورة H)

للقطع المتوازي للحواف، يمكنك تركيب مصد التوازي (23).

قم بتثبيت مصد التوازي (23) على سلة الفرز (2) باستخدام اللولب المحمزر (4).

اضبط العمق المرغوب للمصد باستخدام اللولب الممنع الموجود على مصد التوازي (24).

وجه العدة الكهربائية بعد تشغيلها بدفع أمامي منتظم وبضغط جانبي على مصد التوازي على امتداد مسار حافة قطعة الشغل.

الفرز مع مساعد التوجيه (انظر الصورة ا)

يستخدم مساعد التوجيه (25) دون خوابير دليلية أو محمل كريات في فرز الحواف باستخدام لقم الفرز.

قم بتثبيت مساعد التوجيه على سلة الفرز (2) باستخدام الصامولة (4).

وجه العدة الكهربائية بدفع أمامي منتظم على امتداد مسار حافة قطعة الشغل.

المساف الجانبية: لمنع إزالة أجزاء من المواد، يمكنك ضبط المسافة الجانبية بين قطعة الشغل وبكرة الانزلاق (28) المتأحة على مساعد التوجيه (25).

قم بفك اللولب الممنع (26)، واضبط المسافة الجانبية المرادة عبر إدارة اللولب الممنع (27) واربط اللولب الممنع مرة أخرى بإحكام (26).

عالي: اضبط المحاذاة الرأسية لمساعد التوجيه تبعاً للقطعة الفرز المستخدمة ومدى سمك قطعة الشغل المراد معالجتها.

قم بفك الصامولة (4) من مساعد التوجيه وحرك مساعد التوجيه إلى الموضع المرغوب واربط اللولب مرة أخرى بإحكام.

الصيانة والخدمة**الصيانة والتنظيف**

← أخرج المرمك من العدة الكهربائية قبل إجراء أي أعمال على العدة الكهربائية (على سبيل المثال الصيانة، واستبدال العدد، وما شابه).

هناك خطر إصابة بجروح في حالة الضغط على مفتاح التشغيل والإطفاء بشكل غير مقصود.

← للعمل بشكل جيد وأمن حافظ دائماً على نظافة العدة الكهربائية وفتحات التهوية.

خدمة العملاء واستشارات الاستخدام

يجب مركز خدمة العملاء على الأسئلة المتعلقة بإصلاح المنتج وصيانتها، بالإضافة لقطع الغيار. تجد الرسوم التفصيلية والمعلومات الخاصة بقطع الغيار في الموقع: www.bosch-pt.com

يسر فريق Bosch لاستشارات الاستخدام مساعدتك إذا كان لديك أي استفسارات بخصوص منتجاتنا وملحقاتها.

يلزم ذكر رقم الصنف ذو الخانات العشر وفقاً للوحة صنع المنتج عند إرسال أية استفسارات أو طلبات قطع غيار.

مناسب برای محیط باز، خطر برق گرفتگی را کم می کنند.

◀ در صورت لزوم کار با ابزار برقی در محیط و اماکن مرطوب، باید از یک کلید حفاظتی جریان خطا و نشستی زمین (کلید قطع کننده اتصال با زمین) استفاده کنید. استفاده از کلید حفاظتی جریان خطا و نشستی زمین خطر برق گرفتگی را کاهش می دهد.

رعایت ایمنی اشخاص

◀ حواس خود را خوب جمع کنید، به کار خود دقت کنید و با فکر و هوشیاری کامل با ابزار برقی کار کنید. در صورت خستگی و یا در صورتی که مواد مخدر، الکل و دارو استفاده کرده‌اید، با ابزار برقی کار نکنید. یک لحظه بی توجهی هنگام کار با ابزار برقی، میتواند جراحات های شدیدی به همراه داشته باشد.

◀ از تجهیزات ایمنی شخصی استفاده کنید. همواره از عینک ایمنی استفاده نمایید. استفاده از تجهیزات ایمنی مانند ماسک ضد گرد و غبار، کفشهای ایمنی ضد لغزش، کلاه ایمنی و گوشی محافظ متناسب با نوع کار با ابزار برقی، خطر مجروح شدن را کاهش میدهد.

◀ مواظب باشید که ابزار برقی بطور ناخواسته بکار نیفتد. قبل از وارد کردن دوشاخه دستگاه در پریز برق، اتصال آن به باتری، برداشتن آن و یا حمل دستگاه، باید دقت کنید که ابزار برقی خاموش باشد. در صورتی که هنگام حمل دستگاه انگشت شما روی دکمه قطع و وصل باشد و یا دستگاه را در حالت روشن به برق بزنید، ممکن است سوانح کاری پیش آید.

◀ قبل از روشن کردن ابزار برقی، همه ابزارهای تنظیم کننده و آچارها را از روی دستگاه بردارید. ابزار و آچارهایی که روی بخش های چرخنده دستگاه قرار دارند، میتوانند باعث ایجاد جراحات شوند.

◀ وضعیت بدن شما باید در حالت عادی قرار داشته باشد. برای کار جای مطمئنی برای خود انتخاب کرده و تعادل خود را همواره حفظ کنید. به این ترتیب میتوانید ابزار برقی را در وضعیتهای غیر منتظره بهتر تحت کنترل داشته باشید.

◀ لباس مناسب بپوشید. از پوشیدن لباسهای گشاد و حمل زینت آلات خودداری کنید. موها و لباس خود را از بخشهای در حال چرخش دستگاه دور نگه دارید. لباسهای گشاد، موی بلند و زینت آلات ممکن است در قسمتهای در حال چرخش دستگاه گیر کنند.

◀ در صورتی که تجهیزاتی برای اتصال وسائل مکش گرد و غبار و یا وسیله جمع کننده گرد و غبار ارائه شده است، باید مطمئن شوید که این وسائل درست نصب و استفاده می شوند. استفاده از وسائل مکش گرد و غبار مصونیت شما را در برابر گرد و غبار زیادتیر میکند.

◀ آشنایی با ابزار به دلیل کار کردن زیاد با آن نباید باعث سهل انگاری شما و نادیده گرفتن اصول ایمنی شود. بی دقتی ممکن است باعث بروز جراحاتی در عرض کسری از ثانیه شود.

فارسی

دستورات ایمنی

نکات ایمنی عمومی برای ابزارهای برقی

⚠ هشدار کلیه هشدارها، دستورالعملها، تصاویر و مشخصات ارائه شده به همراه ابزار برقی را مطالعه کنید. اشتباهات ناشی از عدم رعایت این دستورات ایمنی ممکن است باعث برق گرفتگی، سوختگی و یا سایر جراحات های شدید شود.

کلیه هشدارهای ایمنی و راهنماییها را برای آینده خوب نگهداری کنید. عبارت «ابزار برقی» در هشدارها به ابزارهایی که به پریز برق متصل میشوند (با سیم برق) و یا ابزارهای برقی باتری دار (بدون سیم برق) اشاره دارد.

ایمنی محل کار

◀ محیط کار را تمیز و روشن نگه دارید. محیطهای در هم ریخته یا تاریک احتمال بروز حادثه را افزایش میدهند.

◀ ابزار برقی را در محیطهایی که خطر انفجار وجود دارد و حاوی مایعات، گازها و بخارهای متحرکه هستند، به کار نگیرید. ابزارهای برقی چرخههایی ایجاد میکنند که میتوانند باعث آتش گرفتن گرد و غبارهای موجود در هوا شوند.

◀ هنگام کار با ابزار برقی، کودکان و سایر افراد را از دستگاه دور نگه دارید. در صورتیکه حواس شما پرت شود، ممکن است کنترل دستگاه از دست شما خارج شود.

ایمنی الکتریکی

◀ دوشاخه ابزار برقی باید با پریز برق تناسب داشته باشد. هیچگونه تغییری در دوشاخه ایجاد نکنید. مبدل دوشاخه نباید همراه با ابزار برقی دارای اتصال زمین استفاده شود. دوشاخههای اصل و تغییر داده نشده و پریزهای مناسب، خطر برق گرفتگی را کاهش میدهند.

◀ از تماس بدنی با قطعات متصل به سیم اتصال زمین مانند لوله، شوفاژ، اجاق برقی و یخچال خودداری کنید. در صورت تماس بدنی با سطوح و قطعات دارای اتصال به زمین و همچنین تماس شما با زمین، خطر برق گرفتگی افزایش می یابد.

◀ ابزارهای برقی را در معرض باران و رطوبت قرار ندهید. نفوذ آب به ابزار برقی، خطر شوک الکتریکی را افزایش میدهد.

◀ از سیم دستگاه برای مقاصد دیگر استفاده نکنید. هرگز برای حمل ابزار برقی، کشیدن آن یا خارج کردن دوشاخه از سیم دستگاه استفاده نکنید. کابل دستگاه را از حرارت، روغن، لیبهای تیز یا قطعات متحرک دور نگه دارید. کابلهای آسیب دیده و یا گره خورده خطر شوک الکتریکی را افزایش میدهند.

◀ هنگام استفاده از ابزار برقی در محیطهای باز، تنها از کابل رابطی استفاده کنید که برای محیط باز نیز مناسب باشد. کابل های رابط

- شوند. ایجاد اتصالی بین دو قطب باتری (ترمینالهای باتری) میتواند باعث سوختگی و ایجاد حریق شود.
- استفاده بی رویه از باتری میتواند باعث خروج مایعات از آن شود؛ از هر گونه تماس با این مایعات خودداری کنید. در صورت تماس اتفاقی با آن، دست خود و یا محل تماس را با آب بشوئید. در صورت آلوده شدن چشم با این مایع، باید به پزشک مراجعه کنید. مایع خارج شده از باتری میتواند باعث التهاب پوست و سوختگی شود.
- هرگز از باتری یا ابزار آسیب دیده یا دست کاری شده استفاده نکنید. باتریهای آسیب دیده ممکن است کارکرد غیر منتظرهای داشته باشند و منجر به آتش سوزی، انفجار یا جراحت شوند.
- باتری یا ابزار را در معرض آتش یا دمای زیاد قرار ندهید. قرار گرفتن در معرض آتش یا دمای بالاتر از 130 درجه سانتیگراد میتواند باعث انفجار شود.
- همه راهنمایهای مربوط به شارژ را رعایت کنید و باتری یا ابزار را خارج از محدوده دمای تعریف شده در دستورات شارژ نکنید. شارژ کردن نادرست یا در دمای خارج از محدوده تعریف شده ممکن است به باتری صدمه بزند و خطر آتش سوزی را افزایش دهد.
- سرویس**
- برای تعمیر ابزار برقی فقط به متخصصین حرفهای رجوع کنید و از قطعات یدکی اصل استفاده نمایید. این باعث خواهد شد که ایمنی دستگاه شما تضمین گردد.
- هرگز باتریهای آسیب دیده را تعمیر نکنید. باتری باید تنها توسط متخصصین مجاز شرکت تعمیر شوند.
- راهنمایهای ایمنی برای فرز گوشه‌زن**
- جهت ایمن و تثبیت کردن قطعه کار از گیره یا سایر راههای تثبیت قطعه کار استفاده کنید. نگهداشتن قطعه کار با دست یا تکیه دادن آن به بدن باعث بی ثباتی آن و از دست دادن کنترل روی آن می‌گردد.
- سرعت مجاز فرزکاری باید حداقل معادل یا حداکثر سرعت تعیین شده روی ابزار برقی باشد. فرزی که بیش از حد مجاز بچرخد، ممکن است بشکند و به اطراف پرتاب شود.
- تیغه فرز یا سایر متعلقات بایستی دقیقاً در ابزارگیر (کولت) ابزار برقی شما جای گیرند. ابزار و متعلقاتی که کاملاً منطبق با ابزارگیر دستگاه نباشند، چرخش نامنظم و نوسان‌های شدیدی داشته و می‌توانند منجر به از دست دادن کنترل بشوند.
- ابزار برقی را تنها در حال روشن بودن به طرف قطعه کار برانید. در غیر اینصورت ممکن است ابزار روی دستگاه در قطعه کار گیر کرده و باعث ضربه زدن (پس زدن) دستگاه شود.

- استفاده صحیح از ابزار برقی و مراقبت از آن
- از وارد کردن فشار زیاد روی دستگاه خودداری کنید. برای هر کاری، از ابزار برقی مناسب با آن استفاده کنید. بکار گرفتن ابزار برقی مناسب باعث میشود که بتوانید از توان دستگاه بهتر و با اطمینان بیشتر استفاده کنید.
- در صورت ایراد در کلید قطع و وصل ابزار برقی، از دستگاه استفاده نکنید. ابزار برقی که نمی‌توان آنها را قطع و وصل کرد، خطرناک بوده و باید تعمیر شوند.
- قبل از تنظیم ابزار برقی، تعویض متعلقات و یا کنار گذاشتن آن، دوشاخه را از برق بکشید و یا باتری آنرا خارج کنید. رعایت این اقدامات پیشگیری ایمنی از راه افتادن ناخواسته ابزار برقی جلوگیری می‌کند.
- ابزار برقی را در صورت عدم استفاده، از دسترس کودکان دور نگه دارید و اجازه ندهید که افراد ناوارد و یا اشخاصی که این دفترچه راهنما را نخوانده‌اند، با این دستگاه کار کنند. قرار گرفتن ابزار برقی در دست افراد ناوارد و بی تجربه خطرناک است.
- از ابزار برقی و متعلقات خوب مراقبت کنید. مواظب باشید که قسمت‌های متحرک دستگاه خوب کار کرده و گیر نکنند. همچنین دقت کنید که قطعات ابزار برقی شکسته و یا آسیب دیده نباشند. قطعات آسیب دیده را قبل از شروع به کار تعمیر کنید. علت بسیاری از سوانح کاری، عدم مراقبت کامل از ابزارهای برقی می‌باشد.
- ابزار برش را تیز و تمیز نگه دارید. ابزار برشی که خوب مراقبت شده و از لبه‌های تیز برخوردار است، کمتر در قطعه کار گیر کرده و بهتر قابل هدایت است.
- ابزار برقی، متعلقات، متهای دستگاه و غیره را مطابق دستورات این جزوه راهنما به کار گیرید و به شرایط کاری و نوع کار نیز توجه داشته باشید. استفاده از ابزار برقی برای عملیاتی به جز مقاصد در نظر گرفته شده، میتواند به بروز شرایط خطرناک منجر شود.
- دستها و سطوح عایق را همواره خشک، تمیز و عاری از روغن و گریس نگه دارید. دسته‌های لغزنده مانع ایمنی و کنترل در کار در شرایط غیر منتظره هستند.
- مراقبت و طرز استفاده از ابزارهای شارژی**
- باتریها را منحصراً توسط شارژرهایی که توسط سازنده توصیه شده‌اند، شارژ کنید. در صورتی که برای شارژ باتری، آنرا در شارژری قرار دهید که برای آن باتری ساخته نشده است، خطر آتش سوزی وجود دارد.
- در ابزارهای برقی فقط از باتریهایی استفاده کنید که برای آن نوع ابزار برقی در نظر گرفته شده‌اند. استفاده از باتریهای مترقیه میتواند منجر به بروز جراحت و حریق گردد.
- در صورت عدم استفاده از باتری باید آنرا از گیره‌های فلزی، سکه، کلید، میخ، پیچ و دیگر وسائل کوچک فلزی دور نگه دارید، زیرا این وسائل ممکن است باعث ایجاد اتصالی

مصالع ساختمانی سبک و همچنین برای شیر درآوردن، کنار تراشی، فرزکاری پروفیل ها و سوراخهای طویل و نیز برای نمونه سازی (کپی کاری) مناسب است.

اجزاء دستگاه

شماره گذاری تصاویر اجزاء دستگاه بر اساس شکل ابزار برقی در صفحه تصاویر است.

- (1) واحد موتور
 - (2) پایه دستگاه فرز
 - (3) پیچ آج دار برای پایه دستگاه فرز
 - (4) پیچ آج دار برای خط کش راهنمای موازی/راهنمای کمکی
 - (5) دستگاه فرز^(a)
 - (6) مهره کولت با کولت
 - (7) کولت
 - (8) دکمه قفل محور دستگاه
 - (9) صفحه هدایت کننده
 - (10) صفحه پایه
 - (11) آداپتور مکنده گرد و غبار
 - (12) پیچ خروسکی برای پایه دستگاه فرز
 - (13) کلید روشن/خاموش
 - (14) باتری قابل شارژ^(a)
 - (15) دکمه آزادسازی باتری قابل شارژ^(a)
 - (16) چرخک تنظیم انتخاب سرعت
 - (17) دسته (دارای روکش عایق)
 - (18) چراغ کار
 - (19) درجه بندی تنظیم عمق فرزکاری
 - (20) ابزارگیر
 - (21) آچار تخت (13 mm, 17 mm)
 - (22) بوش کپی کاری^(a)
 - (23) خط کش راهنمای موازی
 - (24) پیچ خروسکی برای خط کش راهنمای موازی
 - (25) راهنمای کمکی^(a)
 - (26) پیچ خروسکی برای تثبیت تنظیم افقی^(a)
 - (27) پیچ خروسکی برای تنظیم افقی راهنمای کمکی^(a)
 - (28) غلطک هدایت کننده^(a)
 - (29) آداپتور مکش^(a)
 - (30) شیلنگ مکش^(a)
- (a) کلیه متعلقاتی که در تصویر و یا در متن آمده است، بطور معمول همراه دستگاه ارائه نمیشود. لیست کامل متعلقات را در برنامه متعلقات ما می یابید.

مشخصات فنی

فرز لبه گیر	GLF 18V-8
شماره فنی	3 601 FC6 0..
ولتاژ نامی	≈V 18

◀ روی سطح اشیاء فلزی، میخها یا پیچها را فرز نکنید. امکان آسیب دیدن تیغه فرز و در نتیجه ارتعاش و نوسان شدید دستگاه وجود دارد.

◀ برای پیدا کردن لوله ها و سیم های پنهان موجود در ساختمان و محدوده کار، از یک دستگاه ردیاب مخصوص برای یافتن لوله ها و سیمهای تأسیسات استفاده کنید و یا با شرکت های کارهای تأسیسات ساختمان و خدمات مربوطه تماس بگیرید. تماس با کابل و سیمهای برق ممکن است باعث آتشسوزی و یا برق گرفتگی شود. ایراد و آسیب دیدگی لوله گاز میتواند باعث انفجار شود. سوراخ شدن لوله آب باعث ایجاد خسارت میشود.

◀ از فرز کردن با فرز آسیبدیده یا کُند خودداری کنید. تیغه فرز کند و یا آسیب دیده باعث اصطکاک شدید می شود، ممکن است گیر کند و منجر به از دست دادن تعادل بشود.

◀ قبل از کنار گذاشتن ابزار برقی صبر کنید تا دستگاه بطور کامل از کار و حرکت بایستد. ابزار ممکن است به قطعه کار گیر کرده و کنترل ابزار برقی از دست شما خارج شود.

◀ در صورتیکه باتری آسیب دیده باشد و یا از آن بطور بی رویه استفاده شود، ممکن است از باتری بخارهایی بلند شود. باتری ممکن است آتش بگیرد یا منفجر شود. در این حالت هوای محیط را تازه کنید؛ اگر احساس ناراحتی کردید، به پزشک مراجعه نمایید. استنشاق این بخارها ممکن است به مجاری تنفسی شما آسیب برساند.

◀ باتری را باز نکنید. خطر اتصال کوتاه وجود دارد.

◀ بوسیله ی اشیاء تیز مانند میخ یا پیچگوشتی یا تأثیر نیروی خارجی ممکن است باتری آسیب ببیند. ممکن است اتصالی داخلی رخ دهد و باتری آتش گیرد، دود کند، منفجر شود یا بیش از حد داغ گردد.

◀ از باتری قابل شارژ فقط در محصولات سازنده استفاده کنید. فقط در این صورت از باتری در برابر بار اضافی خطرناک محافظت می شود.

باتری را در برابر حرارت، از جمله در برابر تابش مداوم خورشید و همچنین در برابر آتش، آلودگی، آب و رطوبت محفوظ بدارید. خطر اتصالی و انفجار وجود دارد.



توضیحات محصول و کارکرد

همه دستورات ایمنی و راهنماییها را بخوانید. اشتباهات ناشی از عدم رعایت این دستورات ایمنی ممکن است باعث برقگرفتگی، سوختگی و یا سایر جراحات های شدید شود.



به تصویرهای واقع در بخشهای اول دفترچه راهنما توجه کنید.

موارد استفاده از دستگاه

این ابزار برقی، با داشتن پایه و قرارگاه محکم روی قطعه کار، برای فرزکاری در چوب، مواد پلاستیکی و

ناخواسته روی دکمه آزادسازی باتری می شود. تا زمانی که باتری قابل شارژ داخل ابزار برقی قرار داشته باشد، توسط یک فنر در موقعیت خود نگه داشته می شود.

نشانگر وضعیت شارژ باتری

نکته: هر نوع باتری قابل شارژ دارای نشانگر میزان شارژ نیست.

چراغهای سبز LED نشانگر وضعیت شارژ باتری، وضعیت شارژ باتری را نشان میدهند. به دلایل ایمنی، فراخوانی وضعیت شارژ باتری تنها در حالت توقف ابزار برقی ممکن است.

دکمه را جهت پدیدار شدن نشانگر وضعیت شارژ یا وضعیت شارژ فشار دهید. این کار هنگامی که باتری برداشته شده باشد نیز ممکن است.

چنانچه پس از فشردن دکمه نشانگر وضعیت شارژ هیچ LED روشن نشود، باتری خراب است و باید تعویض گردد.

نوع باتری GBA 18V...



ظرفیت	LED
3 عدد چراغ سبز ممتد	100-60 %
2 عدد چراغ سبز ممتد	60-30 %
1 عدد چراغ سبز ممتد	30-5 %
1 عدد چراغ سبز چشمک زن	5-0 %

نوع باتری ProCORE18V...



ظرفیت	LED
5 عدد چراغ سبز ممتد	100-80 %
4 عدد چراغ سبز ممتد	80-60 %
3 عدد چراغ سبز ممتد	60-40 %
2 عدد چراغ سبز ممتد	40-20 %
1 عدد چراغ سبز ممتد	20-5 %
1 عدد چراغ سبز چشمک زن	5-0 %

توضیحات و تذکراتی برای نحوه بهینه کار با باتری

باتری را در برابر رطوبت و آب حفظ کنید. باتری را منحصراً در دمای بین -20 تا 50 درجه نگهداری کنید. بطور مثال باتری را در تابستان داخل اتومبیل نگذارید.

گاهبگاه شیارهای تهویه باتری را بوسیله یک قلم موی یا برس کوچک نرم و خشک تمیز کنید. افت قابل توجه مدت زمان کارکرد باتری که تازه شارژ شده است، نمایانگر آن است که باتری فرسوده و مستعمل شده و باید تعویض شود.

به نکات مربوط به نحوه از رده خارج کردن باتری توجه کنید.

فرز لبه گیر		GLF 18V-8
اندازه گیری سرعت در حالت آزاد ^(A)	min ⁻¹	10000-30000
انتخاب سرعت		●
نصب کننده الکترونیکی		●
اتصال مکش گرد و غبار		●
کولت های سازگار	mm	6/8
	inch	1/4"
وزن ^(B)	kg	1,5-2,5
دمای توصیه شده محیط هنگام شارژ	°C	0 ... +35
دمای مجاز محیط هنگام کار ^(C) و هنگام انبار کردن	°C	-20 ... +50
باتری های قابل شارژ توصیه شده		GBA 18V... ProCORE18V...
شارژرهای توصیه شده		GAL 18... GAX 18... GAL 36...

(A) اندازه گیری شده در دمای 20-25 °C شارژ ProCORE18V 4.0Ah با باتری قابل شارژ

(B) بسته به نوع باتری کاربردی

(C) توان محدود برای دمای 0 °C <

مقادیر ممکن است بسته به محصول متفاوت باشند و بستگی به شرایط استفاده و محیطی دارند. اطلاعات بیشتر را در سایت www.bosch-professional.com/wac مشاهده نمایید.

باتری قابل شارژ

Bosch ابزارهای برقی شارژی را هم بدون باتری قابل شارژ می فروشند. در بسته بندی می توانید دریابید که آیا باتری قابل شارژ در ممتویات ارسالی ابزار برقی شما وجود دارد یا خیر.

شارژ کردن باتری قابل شارژ

تنها شارژرهای ذکر شده در مشخصات فنی را بکار برید. تنها این دستگاه های شارژ با باتری های لیتیوم-یونی (Li-Ion) ابزار برقی شما منطبق میباشند.

نکته: باتری های قابل شارژ لیتیوم یونی به دلیل قوانین حمل و نقل بین المللی به صورت نیمه شارژ تحویل داده می شوند. برای دست یافتن به توان کامل باتری قابل شارژ، قبل از به کارگیری آن برای اولین بار، باتری را به طور کامل شارژ کنید.

نحوه قرار دادن باتری قابل شارژ

باتری شارژ شده را به داخل محفظه باتری قابل شارژ برانید تا جا بیفتد.

نحوه برداشتن باتری قابل شارژ

برای برداشتن باتری قابل شارژ، دکمه های آزادسازی باتری را فشار دهید و آن را خارج کنید. هنگام انجام این کار از اعمال فشار خودداری کنید.

باتری قابل شارژ دارای 2 مرحله قفل می باشد که مانع از بیرون افتادن باتری قابل شارژ در اثر فشار

نصب

تیغفرزهای دارای فولاد تراش سریع-توان
بالا (HSS) جهت کار کردن روی مواد نرم مانند چوب نرم و پلاستیک مناسب هستند.

تیغفرزهای دارای تیغهای برش فلز سخت و زبر (HM) بخصوص برای مواد سخت و آلومینیوم مناسب می باشند.

تیغه های فرز اصل از برنامه جامع متعلقات بوش را می توانید از فروشگاههای تخصصی خریداری کنید. منحصراً از تیغه های فرز سالم و تمیز استفاده کنید.

نحوه نصب پایه دستگاه فرز (رجوع کنید به تصویر A)

برای فرزکاری بایستی بدنه فرز (2) را دوباره روی واحد موتور (1) نصب کنید.

پیچ پروانه‌های (12) روی بدنه فرز (2) را باز کنید. واحد موتور (1) را به طرف بدنه فرز (2) برانید.

پیچ پروانه ای (12) روی فرز (2) را ببندید.

نکته: پیچ خروسکی (12) و پیچ آج دار (3) را می توان با یکدیگر عوض کرد.

◀ **پس از مونتاژ همیشه کنترل کنید که آیا واحد موتور دستگاه فرز ثابت و محکم در بدنه دستگاه فرز قرار دارد.**

مکش گرد و غبار و تراشه

گرد و غبار موادی مانند رنگ های دارای سرب، بعضی از چوب ها، مواد معدنی و فلزات میتوانند برای سلامتی مضر باشند. دست زدن و یا تنفس کردن گرد و غبار ممکن است باعث بروز آلرژی و یا بیماری مجاری تنفسی شخص استفاده کننده و یا افرادی که در آن نزدیکی میباشند، بشود.

گرد و غبارهای مخصوصی مانند گرد و غبار درخت بلوط و یا درخت راش سرطان زا هستند، بخصوص ترکیب آنها با سایر موادی که برای کار بر روی چوب (کرومات، مواد برای محافظت از چوب) بکار برده میشوند. فقط افراد متخصص مجازند با موادی که دارای آزیست میباشند کار کنند.

- حتی الامکان از یک دستگاه مکش مناسب و درخور ماده (قطعه کار) استفاده کنید.

- توجه داشته باشید که محل کار شما از تهویه هوای کافی برخوردار باشد.

- توصیه میشود از ماسک تنفسی ایمنی با درجه فیلتر P2 استفاده کنید.

به قوانین و مقررات معتبر در کشور خود در رابطه با استفاده از مواد و قطعات کاری توجه کنید.

◀ **از تجمع گرد و غبار در محل کار جلوگیری کنید.** گرد و غبار می توانند به آسانی مشتعل شوند.

نحوه نصب آداپتور دستگاه مکش

برای تضمین مکش بهینه باید آداپتور مکش (29) بطور مرتب تمیز شود.

نحوه اتصال مکنده گرد و غبار (رجوع کنید به تصویر D)

آداپتور مکنده گرد و غبار (11) را از جلو درون ابزار برقی قرار دهید. با صدایی واضح جا می افتد. جهت برداشتن آداپتور (11)، آن را از کنار بگیرید و به سمت جلو بیرون بکشید.

◀ **قبل از انجام هر گونه کاری با ابزار برقی (از جمله سرویس و نگهداری، تعویض ابزار و غیره)، باتری قابل شارژ را از داخل ابزار برقی خارج کنید.** در صورت فشرده شدن اتفاقی کلید روشن/خاموش، خطر آسیب دیدگی وجود دارد.

تعویض ابزار

◀ **توصیه می شود برای نصب و جاگذاری تیغه فرز و همچنین برای تعویض آن، از دستکش ایمنی استفاده کنید.**

تیغه های فرز اصل از برنامه جامع Bosch متعلقات بوش را می توانید از فروشگاه های تخصصی تهیه کنید.

برداشتن بدنه فرز (رجوع کنید به تصویر A)

قبل از اینکه بتوانید تیغه فرز را قرار دهید، باید ابتدا پایه دستگاه فرز (2) را از واحد موتور دستگاه (1) جدا کنید.

پیچ پروانه‌های (12) روی بدنه فرز (2) را باز کنید. واحد موتور را از بالا درآورید.

نحوه تعویض کولت (رجوع کنید به تصویر B)

بسته به تیغه فرز مورد استفاده، باید قبل از قرار دادن آن، کولت دارای مهره کولت (6) را تعویض کنید.

چنانچه کولت مناسب تیغه فرز شما نصب شده است، مراحل کار شرح داده شده در بخش بعدی را دنبال کنید.

کولت باید با کمی جا به جا شدن درون مهره کولت قرار گیرد. کولت و مهره کولت (6) باید به آسانی قابل نصب باشند. چنانچه مهره کولت یا کولت آسیب دیده اند، آنها را بلافاصله تعویض کنید.

دکمه قفل محور دستگاه (8) را فشار دهید و نگه دارید. در صورت نیاز، محور موتور را با دست بچرخانید تا قفل شود.

مهره کولت (6) را با استفاده از آچار تخت (21) خلاف جهت حرکت عقربه ساعت بچرخانید و باز کنید.

دکمه قفل محور دستگاه را رها کنید.

نکته: یک راه جایگزین برای تعویض کولت (بدون فشردن دکمه قفل محور دستگاه (8)): شفت را به کمک دو عدد آچار دو سر تخت مهار کنید تا بتوانید مهره کولت (6) را شل یا محکم کنید.

در صورت لزوم همه قطعاتی که باید نصب شوند را پیش از مونتاژ، توسط یک قلم موی نرم و یا تمتم فشار باد، غبارزدائی کنید.

مهره کولت جدید را روی ابزارگیر (20) قرار دهید. مهره کولت را کمی شل ببندید.

◀ **کولت همراه با مهره کلاهی به هیچ عنوان بدون نصب بودن فرز، سفت نکنید.** مهره کلاهی (کولت) ممکن است آسیب ببیند.

قرار دادن تیغه فرز (رجوع کنید به تصاویر C1 - C2)

بر حسب موارد بکارگیری، تیغه های فرز در مدل ها و کیفیت های مختلف قابل دریافت هستند.

قطعه کار	قطر تیغه فرز [mm]	موقعیت چرخک تنظیم
پلاستیک	4-15	2-3
	> 15	1-2

پس از کار طولانی با ابزار برقی در سرعت پایین، جهت خنک شدن آن باید اجازه دهید مدتی با حداکثر سرعت در حالت آزاد کار کند.

نحوه روشن و خاموش کردن

به منظور روشن کردن ابزار برقی، کلید روشن/خاموش (13) را روی 1 قرار دهید.

به منظور خاموش کردن ابزار برقی، کلید روشن/خاموش (13) را روی 0 قرار دهید.

تثبیت کننده الکترونیکی

تثبیت کننده الکترونیکی، سرعت را در حالت آزاد و در حال کاربرد دستگاه تقریباً ثابت نگاه داشته و این عمل کارکرد منظم دستگاه را تضمین می کند.

نکات عملی

◀ تیغه فرز را در برابر ضربه و فشار محافظت کنید.

◀ قبل از انجام هر گونه کاری با ابزار برقی (از جمله سرویس و نگهداری، تعویض ابزار و غیره)، باتری قابل شارژ را از داخل ابزار برقی خارج کنید. در صورت فشرده شدن اتفاقی کلید روشن/خاموش، خطر آسیب دیدگی وجود دارد.

جهت و فرآیند فرزکاری (رجوع کنید به تصویر E)

◀ فرآیند فرزکاری باید همواره خلاف جهت گردش فرز (5) انجام پذیرد (جهت مخالف). در صورت فرزکاری در جهت گردش فرز (جهت موافق) ممکن است ابزار برقی از دست شما رها شود.

◀ ابزار برقی را تنها با بدنه فرز (2) نصب شده بکار برید. از دست دادن کنترل بر روی دستگاه می تواند جراحات هایی را منجر شود.

نکته: دقت کنید که فرز (5) همیشه از صفحه پایه (10) بیرون بزند. به قطعه کار یا شابلون آسیب نزنید.

عمق فرز دلخواه را تنظیم کنید.

ابزار برقی را روشن کنید و به قسمت مورد نظر نزدیک نمایید.

پس از انجام فرز کاری، ابزار برقی را خاموش کنید.

◀ ابزار برقی را قبل از متوقف شدن کامل فرز، کنار نگذارید. ابزار و متعلقات در حال حرکت ممکن است باعث آسیب دیدگی بشوند.

فرزکاری با شابلون کپی کاری (رجوع کنید به تصاویر F1 - F3)

به کمک شابلون کپی کاری (22) می توان دور محیطی مدلهای یا شابلونها را روی قطعه های کار انتقال داد.

بر حسب قطر شابلون یا نمونه، قالب کپی کاری مناسب را انتخاب کنید. به دلیل ارتفاع برآمدهی شابلون کپی کاری باستانی شابلون دست کم 8 میلیمتر قطر داشته باشد (رجوع کنید به تصویر F1).

◀ قطر تیغه فرز را کمتر از قطر داخلی شابلون کپی کاری انتخاب کنید.

یک شیلنگ مکش (قطر 35 mm) (30) (متعلقات) یا یک آداپتور مکش (29) (متعلقات) را وصل کنید. شیلنگ مکش (30) را به یک دستگاه مکند گرد و غبار متصل کنید (متعلقات).

دستگاه مکند گرد و غبار باید برای جنس قطعه کار مورد نظر مناسب باشد.

برای مکش گرد و غباری که برای سلامتی مضر و سرطان زا هستند و یا برای مکش گرد و غبار خشک باید از یک دستگاه مکند مخصوص استفاده کنید.

عملکرد

نحوه تنظیم عمق فرزکاری

◀ تنظیم عمق فرز باستانی فقط در حالت خاموش بودن دستگاه انجام شود.

- ابزار برقی را با تیغه فرز نصب شده روی قطعه کار قرار دهید.

- پیچ خروسکی (12) روی پایه دستگاه فرز (2) را دوباره باز کنید تا عمق فرزکاری مورد نظر توسط درجه بندی تنظیم عمق فرزکاری (19) به صورت دستی یا توسط پیچ آج دار (3) تنظیم شود.

- پیچ خروسکی (12) روی پایه دستگاه فرز (2) را ببندید.

- تنظیم انجام شده عمق فرز را از طریق آزمایش عملی کنترل کنید و در صورت لزوم آن را اصلاح نمایید.

راه اندازی

نحوه انتخاب سرعت

با چرخک تنظیم انتخاب سرعت (16) می توان سرعت لازم را حتی هنگام کار انتخاب کرد.

موقعیت چرخک تنظیم	سرعت [min ⁻¹]
1-2	10'000-14'000
3-4	18'000-24'000
5-6	26'000-30'000

مقادیر درج شده در جدول زیر، مقادیر مرجع را نشان می دهند. سرعت مورد نیاز به جنس قطعه کار و شرایط کاری بستگی دارد و می توان از طریق آزمایش عملی تعیین گردد.

قطعه کار	قطر تیغه فرز [mm]	موقعیت چرخک تنظیم
چوب سفت (چنار)	4-10	5-6
	12-20	3-4
	> 20	1-2
چوب نرم (کاج)	4-10	5-6
	12-20	3-6
	> 20	1-3
نئوپان	4-10	3-6
	12-20	2-4
	> 20	1-3

ابزار برقی را با حرکت یکنواخت در امتداد لبه قطعه کار به جلو برانید.

فاصله جانبی: جهت افزایش مقدار لایهبرداری، میتوان فاصله جانبی بین قطعهکار و استوانه هادی (28) واقع بر راهنمای کمکی (25) تنظیم کرد.

پیچ پروانه‌ای (26) را شل کنید، و فاصله جانبی دلخواه را با چرخش پیچ پروانه‌ای (27) را تنظیم و پیچ پروانه‌ای (26) را دوباره سفت کنید.

ارتفاع: بر حسب تیغه‌فرز بکار برده شده و قطر قطعهکار، قرارگیری عمودی راهنمای کمکی را تنظیم کنید.

مهره (4) روی راهنمای کمکی را شل کنید، راهنمای کمکی را به حالت دلخواه برانید و پیچ را دوباره سفت کنید.

مراقبت و سرویس

مراقبت، تعمیر و تمیز کردن دستگاه

- ◀ قبل از انجام هر گونه کاری با ابزار برقی (از جمله سرویس و نگهداری، تعویض ابزار و غیره)، باتری قابل شارژ را از داخل ابزار برقی خارج کنید. در صورت فشردن شدن اتفاقی کلید روشن/خاموش، خطر آسیب دیدگی وجود دارد.
- ◀ ابزار الکتریکی و شیارهای تهویه آنرا تمیز نگاه دارید، تا ایمنی شما در کار تضمین گردد.

خدمات و مشاوره با مشتریان

خدمات مشتری، به سؤالات شما درباره تعمیرات، سرویس و همچنین قطعات یدکی پاسخ خواهد داد. نقشه‌های سه بعدی و اطلاعات مربوط به قطعات یدکی را در تارنمای زیر میبایید:

www.bosch-pt.com

گروه مشاوره به مشتریان Bosch با کمال میل به سؤالات شما درباره محصولات و متعلقات پاسخ می دهند.

برای هرگونه سؤال و یا سفارش قطعات یدکی، حتماً شماره فنی 10 رقمی کالا را مطابق برچسب روی ابزار برقی اطلاع دهید.

ایران

روبرت بوش ایران - شرکت بوش تجارت پارس
میدان ونک، خیابان شهید خدایی، خیابان آفتاب
ساختمان مادران، شماره 3، طبقه سوم.

تهران 1994834571

تلفن: 9821+ 42039000

آدرس سایر دفاتر خدماتی را در ادامه بیابید:

www.bosch-pt.com/serviceaddresses

حمل دستگاه

باتری های لیتیوم یونی توصیه شده، مشمول الزامات قانون کالاهای خطرناک هستند. کاربر می تواند باتری ها را بدون استفاده از روکش در خیابان حمل کند.

در صورت ارسال توسط شخص ثالث (مانند: حمل و نقل هوایی یا زمینی) باید تمهیدات مربوط به بسته بندی و علامت گذاری مورد توجه قرار گیرد. در

همه چهار پیچ آلن مغزی واقع بر قسمت زیرین صفحه هدایت کننده (9) را به بیرون بکشید و صفحه هدایت کننده را بردارید.

شابلون کپی کاری (22) را در صفحه هدایت کننده قرار دهید (رجوع کنید به تصویر F2).

صفحه هدایت کننده را دوباره روی صفحه پایه (10) شل ببندید. روکش کفی دستگاه باید پس از آن هنوز آزادانه قابل حرکت باشد.

برای اینکه فاصله مابین وسط تیغه فرز و لبه شابلون کپی کاری در همه جا یکسان باشد، باید در صورت لزوم، مرکز شابلون کپی کاری و روکش کفی نسبت به هم تنظیم شوند.

- صفحه هدایت کننده را طوری تنظیم کنید، که تیغه فرز و شابلون کپی کاری به سمت مرکز دهانه در صفحه هدایت کننده تنظیم شوند (رجوع کنید به تصاویر F3).

- صفحه هدایت کننده را در همان حالت نگهداشته و پیچ ها را مجدداً سفت کنید.

به منظور فرزندکاری با شابلون کپی کاری (22) مانند آنچه در زیر آمده است عمل کنید:

- ابزار برقی را با شابلون کپی کاری (22) روی شابلون ها قرار دهید.

- ابزار برقی همراه با شابلون کپی کاری بر روی آنرا، با آوردن فشار جانبی در امتداد قالب حرکت بدهید.

فرزکاری لبهها و طبق فرم

(رجوع کنید به تصویر G)

برای لبه دادن و یا فرز کردن طبق فرم بدون خط کش راهنمای موازی، باید تیغه فرز به یک راهنما و یا بلبرینگ مجهز باشد.

ابزار برقی را در حالیکه روشن است، از پهلو (سطح جانبی) به قطعه کار نزدیک کنید تا راهنما و یا بلبرینگ تیغه فرز روی لبه قطعه کار قرار بگیرد.

ابزار برقی را در امتداد لبه قطعه کار حرکت بدهید. همزمان به زاویه قرار گرفتن آن بر روی قطعه کار توجه داشته باشید. فشار بیش از حد می تواند به لبه قطعه کار آسیب وارد کند.

فرزکاری با گونبای موازی (رجوع کنید به

تصویر H)

جهت برش موازی با لبه می توان گونبای موازی (23) را نصب کرد.

گونبای موازی (23) روی پایه دستگاه فرز (2) را با پیچ اجدار (4) محکم کنید.

به کمک پیچ خروسکی واقع بر گونبای موازی (24) عمق نگهدارنده دلخواه را تنظیم کنید.

ابزار برقی را در حالیکه روشن است با حرکت یکنواخت و آوردن فشار جانبی بر روی گونبای موازی، در امتداد لبه قطعه کار حرکت بدهید.

فرزکاری با راهنمای کمکی (رجوع کنید به

تصویر I)

راهنمای کمکی (25) برای فرزندکاری لبهها با تیغه‌فرزهای بدون راهنما یا بلبرینگ بکار می آید.

راهنمای کمکی را روی بدنه فرز (2) را با مهره (4) محکم کنید.

اینصورت باید حتما جهت آماده سازی قطعه ارسالی به کارشناس حمل کالاهای پر خطر مراجعه کرد. باتریها را فقط در صورتی ارسال کنید که بدنه آنها آسیب ندیده باشد. اتصالات (کنتاکتهای) باز را بپوشانید و باتری را طوری بسته بندی کنید که در بسته بندی تکان نخورد. در این باره لطفاً به مقررات و آیین نامه های ملی توجه کنید.

از رده خارج کردن دستگاه

ابزارهای برقی، باتری ها، متعلقات و بسته بندی ها، باید طبق مقررات حفظ محیط زیست از رده خارج و بازیافت شوند.





ابزار برقی و باتری ها/ باتری های قابل شارژ را داخل زباله دان خانگی نیندازید!




باتریهای شارژی/قلمی:

لیتیوم-یونی:

لطفاً به تذکرات بخش (رجوع کنید به „حمل دستگاه“، صفحه 73) توجه کنید.

 6 mm 2 608 570 133
 8 mm 2 608 570 134

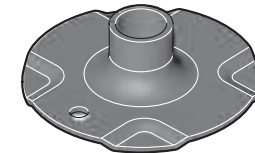
 1/4" 2 608 570 135



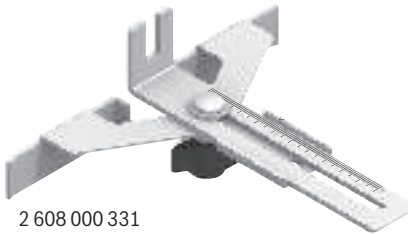
1 619 PC2 086



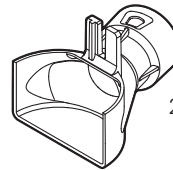
2 608 000 332



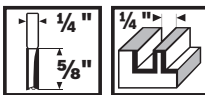
2 608 000 803



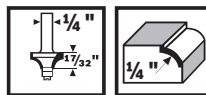
2 608 000 331



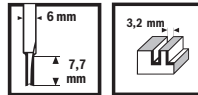
2 608 190 062



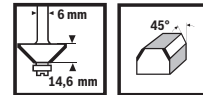
2 608 628 411



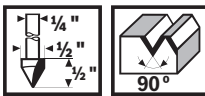
2 608 628 421



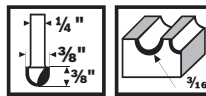
2 609 256 650



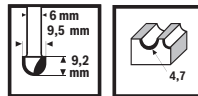
2 609 256 660



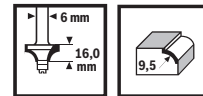
2 608 628 415



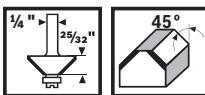
2 608 628 432



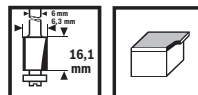
2 609 256 663



2 609 256 669



2 608 628 416



2 609 256 673

