

Robert Bosch GmbH

Power Tools Division
70745 Leinfelden-Echterdingen
Germany

www.bosch-pt.com

2 609 141 014 (2013.05) 0 / 155 EURO



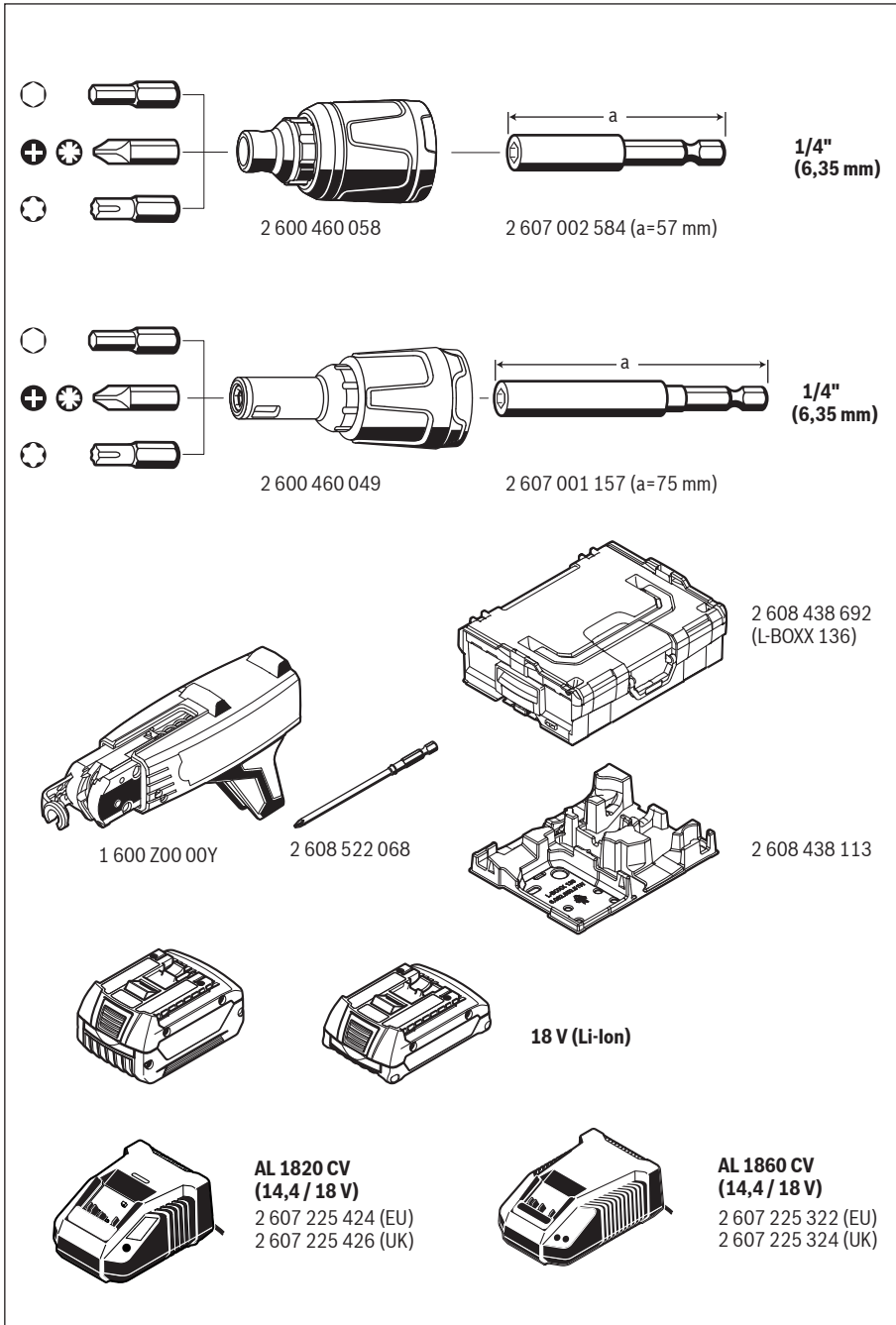
2 609 141 014

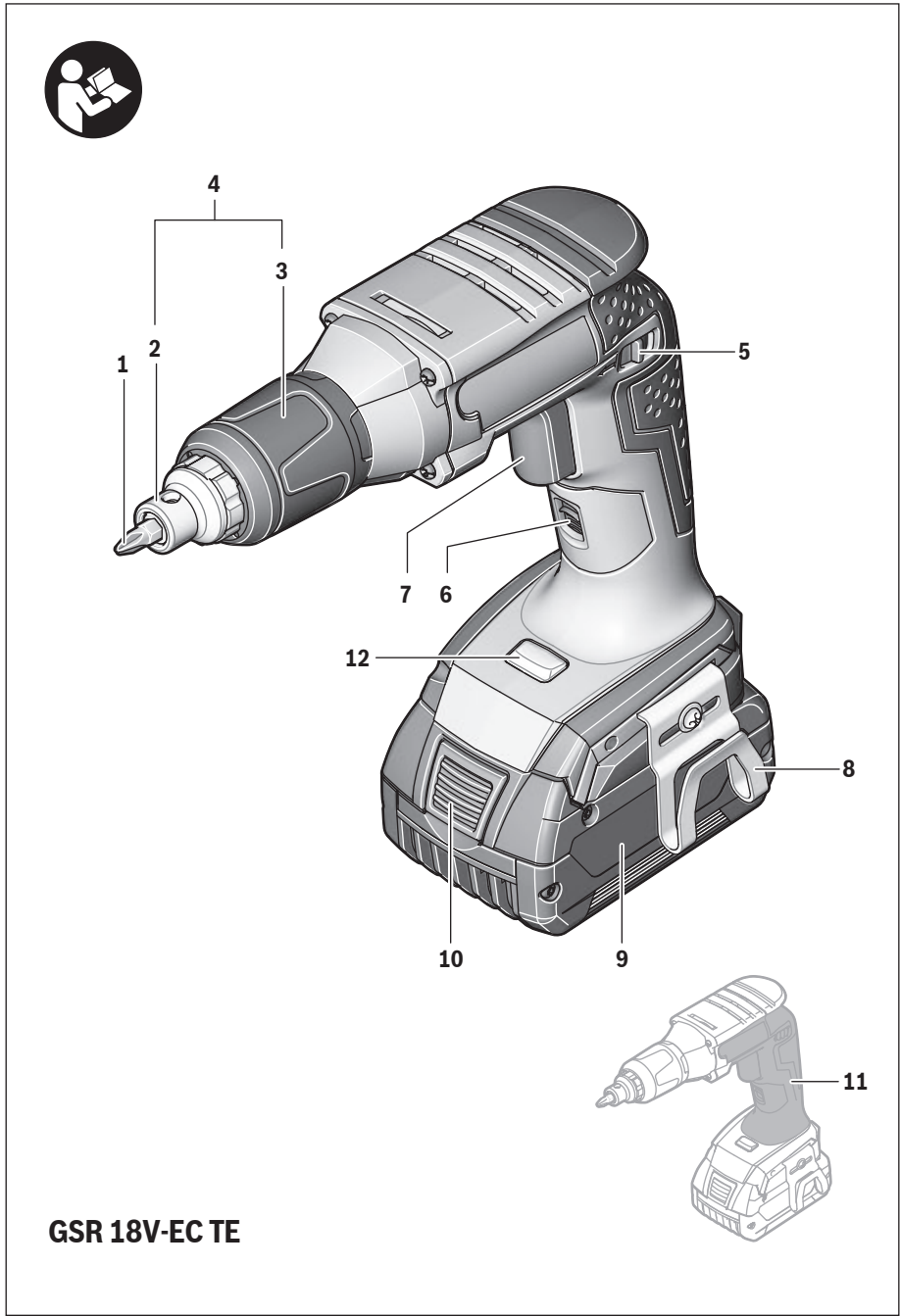
GSR 18 V-EC TE Professional



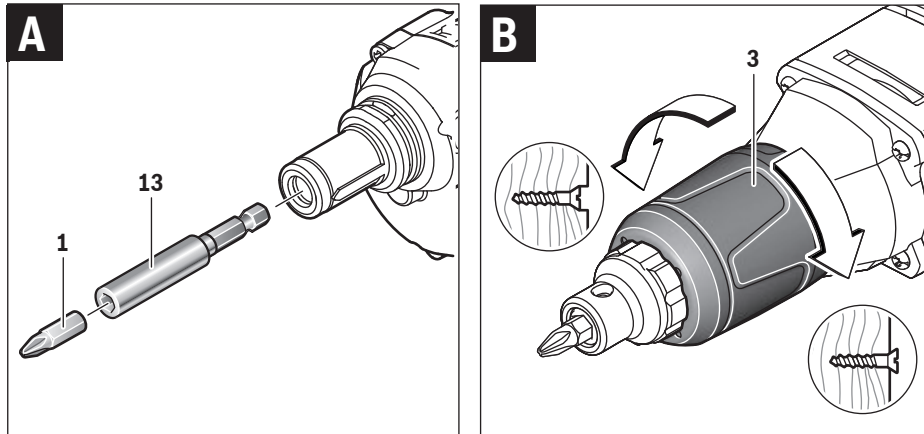
- | | | |
|--|--|---|
| de Originalbetriebsanleitung | tr Orijinal işletme talimatı | mk Оригинално упатство за работа |
| en Original instructions | pl Instrukcja oryginalna | sr Originalno uputstvo za rad |
| fr Notice originale | cs Původní návod k používání | sl Izvirna navodila |
| es Manual original | sk Pôvodný návod na použitie | hr Originalne upute za rad |
| pt Manual original | hu Eredeti használati utasítás | et Algupärane kasutusjuhend |
| it Istruzioni originali | ru Оригинальное руководство по эксплуатации | lv Instrukcijas oriģinālvalodā |
| nl Oorspronkelijke gebruiksaanwijzing | uk Оригінальна інструкція з експлуатації | lt Originali instrukcija |
| da Original brugsanvisning | kk Пайдалану нұсқаулығының түпнұсқасы | ar تعليمات التشغيل الأصلية |
| sv Bruksanvisning i original | ro Instrucțiuni originale | fa دفترچه راهنمای اصلی |
| no Original driftsinstruks | bg Оригинална инструкция | |
| fi Alkuperäiset ohjeet | | |
| el Πρωτότυπο οδηγιών χρήσης | | |







GSR 18V-EC TE



English

Safety Notes

General Power Tool Safety Warnings

⚠ WARNING Read all safety warnings and all instructions. Failure to follow the warnings and instructions may result in electric shock, fire and/or serious injury.

Save all warnings and instructions for future reference.

The term "power tool" in the warnings refers to your mains-operated (corded) power tool or battery-operated (cordless) power tool.

Work area safety

- ▶ **Keep work area clean and well lit.** Cluttered or dark areas invite accidents.
- ▶ **Do not operate power tools in explosive atmospheres, such as in the presence of flammable liquids, gases or dust.** Power tools create sparks which may ignite the dust or fumes.
- ▶ **Keep children and bystanders away while operating a power tool.** Distractions can cause you to lose control.

Electrical safety

- ▶ **Power tool plugs must match the outlet. Never modify the plug in any way. Do not use any adapter plugs with earthed (grounded) power tools.** Unmodified plugs and matching outlets will reduce risk of electric shock.
- ▶ **Avoid body contact with earthed or grounded surfaces, such as pipes, radiators, ranges and refrigerators.** There is an increased risk of electric shock if your body is earthed or grounded.
- ▶ **Do not expose power tools to rain or wet conditions.** Water entering a power tool will increase the risk of electric shock.
- ▶ **Do not abuse the cord. Never use the cord for carrying, pulling or unplugging the power tool. Keep cord away from heat, oil, sharp edges and moving parts.** Damaged or entangled cords increase the risk of electric shock.
- ▶ **When operating a power tool outdoors, use an extension cord suitable for outdoor use.** Use of a cord suitable for outdoor use reduces the risk of electric shock.
- ▶ **If operating a power tool in a damp location is unavoidable, use a residual current device (RCD) protected supply.** Use of an RCD reduces the risk of electric shock.

Personal safety

- ▶ **Stay alert, watch what you are doing and use common sense when operating a power tool. Do not use a power tool while you are tired or under the influence of drugs, alcohol or medication.** A moment of inattention while operating power tools may result in serious personal injury.
- ▶ **Use personal protective equipment. Always wear eye protection.** Protective equipment such as dust mask, non-skid safety shoes, hard hat, or hearing protection used for appropriate conditions will reduce personal injuries.

- ▶ **Prevent unintentional starting. Ensure the switch is in the off-position before connecting to power source and/or battery pack, picking up or carrying the tool.** Carrying power tools with your finger on the switch or energising power tools that have the switch on invites accidents.
- ▶ **Remove any adjusting key or wrench before turning the power tool on.** A wrench or a key left attached to a rotating part of the power tool may result in personal injury.
- ▶ **Do not overreach. Keep proper footing and balance at all times.** This enables better control of the power tool in unexpected situations.
- ▶ **Dress properly. Do not wear loose clothing or jewellery. Keep your hair, clothing and gloves away from moving parts.** Loose clothes, jewellery or long hair can be caught in moving parts.
- ▶ **If devices are provided for the connection of dust extraction and collection facilities, ensure these are connected and properly used.** Use of dust collection can reduce dust-related hazards.

Power tool use and care

- ▶ **Do not force the power tool. Use the correct power tool for your application.** The correct power tool will do the job better and safer at the rate for which it was designed.
- ▶ **Do not use the power tool if the switch does not turn it on and off.** Any power tool that cannot be controlled with the switch is dangerous and must be repaired.
- ▶ **Disconnect the plug from the power source and/or the battery pack from the power tool before making any adjustments, changing accessories, or storing power tools.** Such preventive safety measures reduce the risk of starting the power tool accidentally.
- ▶ **Store idle power tools out of the reach of children and do not allow persons unfamiliar with the power tool or these instructions to operate the power tool.** Power tools are dangerous in the hands of untrained users.
- ▶ **Maintain power tools. Check for misalignment or binding of moving parts, breakage of parts and any other condition that may affect the power tool's operation. If damaged, have the power tool repaired before use.** Many accidents are caused by poorly maintained power tools.
- ▶ **Keep cutting tools sharp and clean.** Properly maintained cutting tools with sharp cutting edges are less likely to bind and are easier to control.
- ▶ **Use the power tool, accessories and tool bits etc. in accordance with these instructions, taking into account the working conditions and the work to be performed.** Use of the power tool for operations different from those intended could result in a hazardous situation.

Battery tool use and care

- ▶ **Recharge only with the charger specified by the manufacturer.** A charger that is suitable for one type of battery pack may create a risk of fire when used with another battery pack.

12 | English

- ▶ **Use power tools only with specifically designated battery packs.** Use of any other battery packs may create a risk of injury and fire.
- ▶ **When battery pack is not in use, keep it away from other metal objects, like paper clips, coins, keys, nails, screws or other small metal objects, that can make a connection from one terminal to another.** Shorting the battery terminals together may cause burns or a fire.
- ▶ **Under abusive conditions, liquid may be ejected from the battery; avoid contact. If contact accidentally occurs, flush with water. If liquid contacts eyes, additionally seek medical help.** Liquid ejected from the battery may cause irritation or burns.

Service

- ▶ **Have your power tool serviced by a qualified repair person using only identical replacement parts.** This will ensure that the safety of the power tool is maintained.

Safety Warnings for Screwdrivers

- ▶ **Hold power tool by insulated gripping surfaces, when performing an operation where the fastener may contact hidden wiring.** Fasteners contacting a "live" wire may make exposed metal parts of the power tool "live" and could give the operator an electric shock.
- ▶ **Secure the workpiece.** A workpiece clamped with clamping devices or in a vice is held more secure than by hand.
- ▶ **Always wait until the machine has come to a complete stop before placing it down.** The tool insert can jam and lead to loss of control over the power tool.
- ▶ **Do not open the battery.** Danger of short-circuiting.



Protect the battery against heat, e. g., against continuous intense sunlight, fire, water, and moisture. Danger of explosion.

- ▶ **In case of damage and improper use of the battery, vapours may be emitted. Ventilate the area and seek medical help in case of complaints.** The vapours can irritate the respiratory system.
- ▶ **Use the battery only in conjunction with your Bosch power tool.** This measure alone protects the battery against dangerous overload.
- ▶ **Use only original Bosch batteries with the voltage listed on the nameplate of your power tool.** When using other batteries, e. g. imitations, reconditioned batteries or other brands, there is danger of injury as well as property damage through exploding batteries.

Product Description and Specifications

Read all safety warnings and all instructions. Failure to follow the warnings and instructions may result in electric shock, fire and/or serious injury.

While reading the operating instructions, unfold the graphics page for the machine and leave it open.

Intended Use

The machine is intended for driving in and loosening screws. The light of this power tool is intended to illuminate the power tool's direct area of working operation and is not suitable for household room illumination.

Product Features

The numbering of the product features refers to the illustration of the machine on the graphics page.

- 1 Screwdriver bit*
- 2 Stop bushing
- 3 Adjustment sleeve for screwing-depth stop
- 4 Screwing-depth stop
- 5 Rotational direction switch
- 6 Lock-on button for On/Off switch
- 7 On/Off switch
- 8 Belt clip
- 9 Battery pack*
- 10 Battery unlocking button
- 11 Handle (insulated gripping surface)
- 12 LED to illuminate screwing location
- 13 Universal bit holder*

*Accessories shown or described are not part of the standard delivery scope of the product. A complete overview of accessories can be found in our accessories program.

Technical Data

Cordless Screwdriver	GSR 18 V-EC TE	
Article number		3 601 Jc8 0..
Rated voltage	V=	18
No-load speed	min ⁻¹	0 – 4200
Max. torque for soft screw-driving application according to ISO 5393	Nm	5
Tool holder		¼" hexagon socket
Max. screw dia.	mm	4.2
Weight according to EPTA-Procedure 01/2003	kg	1.3/1.6*

*dependent of the battery pack being used

Noise/Vibration Information

Measured sound values determined according to EN 60745. Typically the A-weighted sound pressure level of the product is 75 dB(A). Uncertainty K = 3 dB. The noise level when working can exceed 80 dB(A).

Wear hearing protection!

Vibration total values a_h (triax vector sum) and uncertainty K determined according to EN 60745: Screwdriving without impact: $a_h < 2.5 \text{ m/s}^2$, $K = 3 \text{ m/s}^2$.

The vibration emission level given in this information sheet has been measured in accordance with a standardised test given in EN 60745 and may be used to compare one tool with another. It may be used for a preliminary assessment of exposure.

The declared vibration emission level represents the main applications of the tool. However if the tool is used for different applications, with different accessories or poorly maintained, the vibration emission may differ. This may significantly increase the exposure level over the total working period. An estimation of the level of exposure to vibration should also take into account the times when the tool is switched off or when it is running but not actually doing the job. This may significantly reduce the exposure level over the total working period. Identify additional safety measures to protect the operator from the effects of vibration such as: maintain the tool and the accessories, keep hands warm, organise work patterns.

Declaration of Conformity **CE**

We declare under our sole responsibility that the product described under "Technical Data" is in conformity with the following standards or standardisation documents: EN 60745 according to the provisions of the directives 2009/125/EC (Regulation 1194/2012), 2011/65/EU, 2004/108/EC, 2006/42/EC.

Technical file (2006/42/EC) at:
Robert Bosch GmbH, PT/ETM9,
D-70745 Leinfelden-Echterdingen

Henk Becker Executive Vice President Engineering	Helmut Heinzelmann Head of Product Certification PT/ETM9
--	--

Henk Becker i.v. *K. Heilmann*

Robert Bosch GmbH, Power Tools Division
D-70745 Leinfelden-Echterdingen
18.02.2013

Assembly

Battery Charging

► **Use only the battery chargers listed on the accessories page.** Only these battery chargers are matched to the lithium ion battery of your power tool.

Note: The battery is supplied partially charged. To ensure full capacity of the battery, completely charge the battery in the battery charger before using your power tool for the first time.

The lithium ion battery can be charged at any time without reducing its service life. Interrupting the charging procedure does not damage the battery.

The Lithium-Ion battery is protected against deep discharging by the "Electronic Cell Protection (ECP)". When the battery is empty, the machine is switched off by means of a protective circuit: The inserted tool no longer rotates.

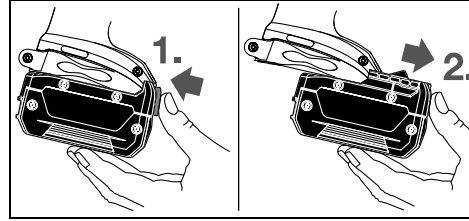
► **Do not continue to press the On/Off switch after the machine has been automatically switched off.** The battery can be damaged.

The battery is equipped with a NTC temperature control which allows charging only within a temperature range of between 0 °C and 45 °C. A long battery service life is achieved in this manner.

Observe the notes for disposal.

Removing the battery

The battery **9** is equipped with two locking levels that should prevent the battery from falling out when pushing the battery unlocking button **10** unintentionally. As long as the battery is inserted in the power tool, it is held in position by means of a spring.



To remove the battery **9**, press the unlocking button **10** and pull out the battery toward the front. **Do not exert any force.**

Changing the Tool (see figure A)

► **Before any work on the machine itself (e. g. maintenance, tool change, etc.) as well as during transport and storage, remove the battery from the power tool.**

There is danger of injury when unintentionally actuating the On/Off switch.

Pull off the screwing-depth stop **4** toward the front. Pull out the screwdriver bit **1**. If required, the universal bit holder **13** can also be pulled off and replaced.

After changing the tool, reattach the screwing-depth stop **4**.

Operation

Starting Operation

Inserting the battery

► **Use only original Bosch lithium ion batteries with the voltage listed on the nameplate of your power tool.** Using other batteries can lead to injuries and pose a fire hazard.

Note: Use of batteries not suitable for the machine can lead to malfunctions or cause damage to the power tool.

Set the rotational direction switch **5** to the centre position in order to avoid unintentional starting. Insert the charged battery **9** into the handle so that it can be felt to engage and faces flush against the handle.

Reversing the rotational direction

The rotational direction switch **5** is used to reverse the rotational direction of the machine. However, this is not possible with the On/Off switch **7** actuated.

🌀 **Rotate clockwise:** Move the rotational direction switch **5** on both sides up to the stop into position ◀.

🌀 **Rotate anticlockwise:** Move the rotational direction switch **5** on both sides up to the stop into position ▶.

14 | English

Switching On and Off

To **start** the machine, press the On/Off switch **7** and keep it pressed.

The LED **12** lights up when the On/Off switch **7** is halfway or fully pressed, and enables illumination of the screwing location in unfavourable light conditions.

To lock the **pressed** On/Off switch **7**, press the lock-on button **6**.

To **switch off** the machine, release the On/Off switch **7** or when it is locked with the lock-on button **6**, briefly press the On/Off switch **7** and then release it.

To save energy, only switch the power tool on when using it.

Adjusting the Speed

The speed of the switched on power tool can be variably adjusted, depending on how far the On/Off switch **7** is pressed. Light pressure on the On/Off switch **7** results in a low rotational speed. Further pressure on the switch results in an increase in speed.

Adjusting the Screw-in Depth (see figure B)

With the adjustment sleeve **3**, the screw-in depth of the screw head into the workpiece can be preset in 8 locking steps per full turn. Each step corresponds with a 0.25 mm change of the screw-in depth.

Turning the adjustment sleeve **3** in clockwise direction results in a greater screw-in depth; turning in anticlockwise direction reduces the screw-in depth.

The required setting is best determined by testing.

Temperature Dependent Overload Protection

When using as intended for, the power tool cannot be subject to overload. When the load is too high or the allowable battery temperature range of 0–70 °C is exceeded, the speed is reduced. The power tool will not run at full speed until reaching the allowable battery temperature.

Protection Against Deep Discharging

The Lithium-Ion battery is protected against deep discharging by the "Electronic Cell Protection (ECP)". When the battery is empty, the machine is switched off by means of a protective circuit: The inserted tool no longer rotates.

Working Advice

- ▶ **Apply the power tool to the screw only when it is switched off.** Rotating tool inserts can slip off.

Guide the screw toward the screwdriving bit **1**. The screw is held in place by the magnet pull of the universal bit holder **13**. Firmly push the tip of the screw into the material to be screwed until the screwing-depth stop **4** faces against the workpiece.

Switch the machine on. The screw is screwed into the material until the adjusted screw-in depth is reached. The drive is disengaged and the tool holder no longer rotates. Check the screw-in depth and readjust, if required.

For unscrewing screws, set the rotational direction switch **5** to left rotation and pull off the screwing-depth stop **4** toward the front without turning the adjustment sleeve.

Working with the screwing-depth stop **4** is also possible when adapting the screw-in depth.

Belt Clip

With the belt clip **8**, the machine can be hung onto a belt. The user has both hands free and the machine is always at hand.

Maintenance and Service**Maintenance and Cleaning**

- ▶ **Before any work on the machine itself (e. g. maintenance, tool change, etc.) as well as during transport and storage, remove the battery from the power tool.** There is danger of injury when unintentionally actuating the On/Off switch.
- ▶ **For safe and proper working, always keep the machine and ventilation slots clean.**

When the battery is no longer operative, please refer to an authorised after-sales service agent for Bosch power tools.

After-sales Service and Application Service

Our after-sales service responds to your questions concerning maintenance and repair of your product as well as spare parts. Exploded views and information on spare parts can also be found under:

www.bosch-pt.com

Bosch's application service team will gladly answer questions concerning our products and their accessories.

In all correspondence and spare parts order, please always include the 10-digit article number given on the type plate of the machine.

Great Britain

Robert Bosch Ltd. (B.S.C.)

P.O. Box 98

Broadwater Park

North Orbital Road

Denham

Uxbridge

UB 9 5HJ

Tel. Service: (0844) 7360109

Fax: (0844) 7360146

E-Mail: boschservicecentre@bosch.com

Ireland

Origo Ltd.

Unit 23 Magna Drive

Magna Business Park

City West

Dublin 24

Tel. Service: (01) 4666700

Fax: (01) 4666888