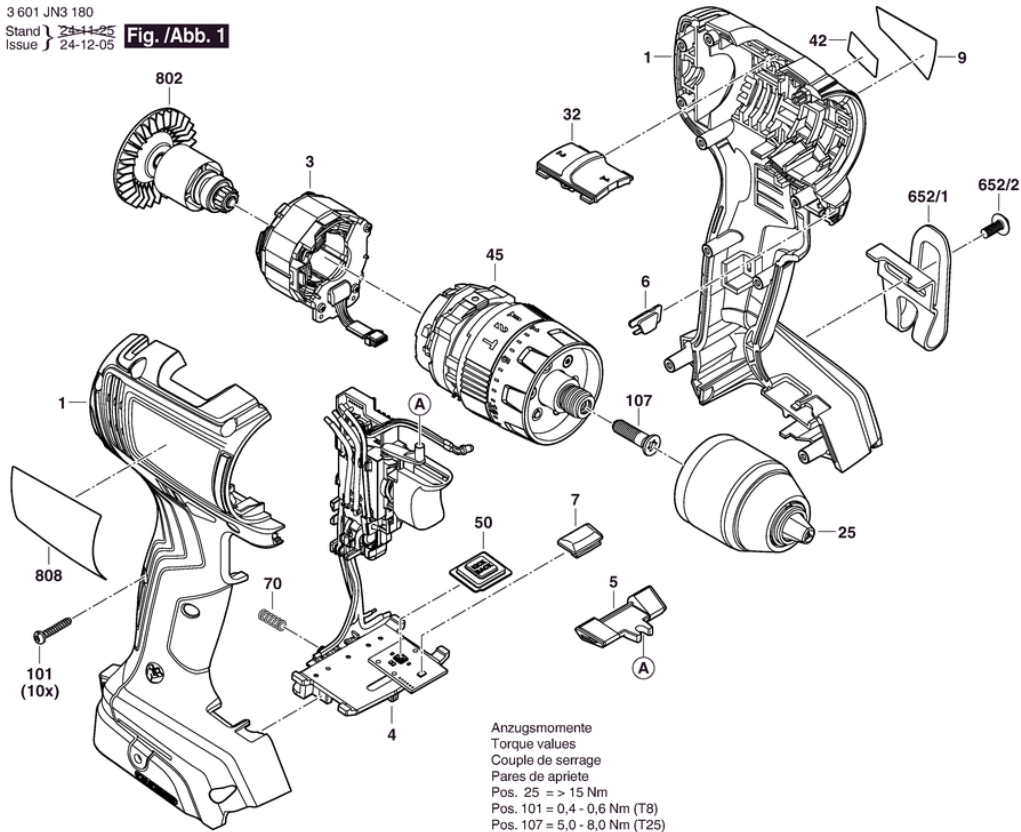


Illustration - Type - E

3 601 JN3 180
 Stand } ~~24-11-25~~
 Issue } 24-12-05

Fig. /Abb. 1

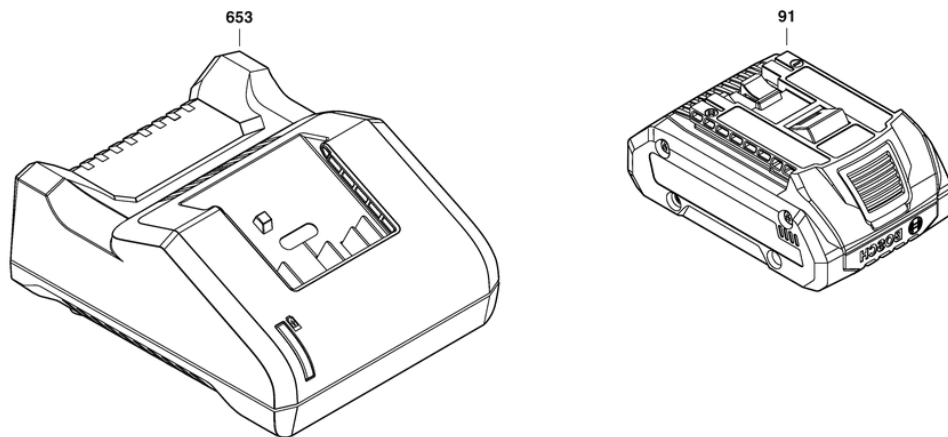


Anzugsmomente
 Torque values
 Couple de serrage
 Pares de apriete
 Pos. 25 => 15 Nm
 Pos. 101 = 0,4 - 0,6 Nm (T8)
 Pos. 107 = 5,0 - 8,0 Nm (T25)

Änderungen vorbehalten
 Modifications reserved
 Modifications réservées
 Salvo modificaciones

Illustration - Type - E

3 601 JN3 180
Stand } 24-07-12 Fig. /Abb. 2
Issue }



Änderungen vorbehalten
Modifications reserved
Modifications réservées
Salvo modificaciones

Spare parts list

Item	Part Number	Description	Illustration
1	1 605 806 6X1	Housing	1
3	1 619 PS1 172	Stator	1
4	1 619 PS1 173	Electronics Module	1
6	1 619 PS1 174	Changeover Lever	1
6	1 619 PS1 175	Lens	1
7	1 619 PS1 181	Lens	1
9	1 601 11C 6A3	Manufacturer's nameplate	1
25	1 619 PS1 119	Keyless Chuck	1
32	1 600 A02 477	Switchover Unit	1
42	1 619 PS1 184	Sticker	1
45	1 600 A03 BG1	Gear Box	1
50	1 619 PS1 182	Keyboard	1
70	1 609 280 477	Compression Spring	1
101	2 609 110 353	Torx Oval-Head Screw	1
107	2 603 421 229	Countersunk-Head Screw LEFTHAND THREADS	M6X23 1
652/1	2 609 111 584	Clip	1
652/2	2 609 110 834	Screw	1
802	1 619 PS1 120	Motor Spare Parts Set	1
808	1 601 11A D64	Nameplate	1
91	1 607 A35 0MA	Battery Pack	GBA 18V 2.0AH 2
91	1 617 S02 0T2	Battery Pack	2
653	2 607 226 251	Fast Charger	2
653	2 607 226 281	Fast Charger	2