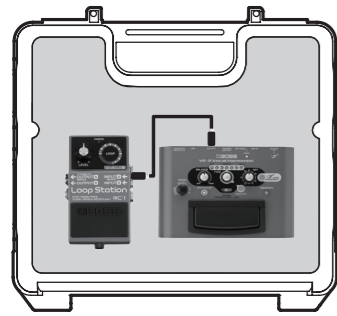


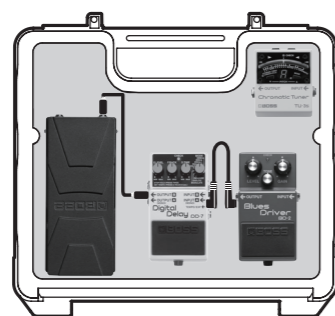
## Effect Unit Installation Examples

By cutting the included holding pad to match the shape of the products that you want to install, you can hide the cabling and create a clean layout.

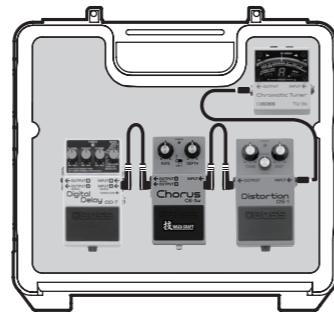
Example 1



Example 2



Example 3



For details on the BCB-30X, refer to the Boss website.

<https://www.boss.info/global/products/bcb-30x/>



For BOSS cables, refer to the BOSS website (Accessories).

[https://www.boss.info/global/categories/accessories/boss\\_cables/](https://www.boss.info/global/categories/accessories/boss_cables/)

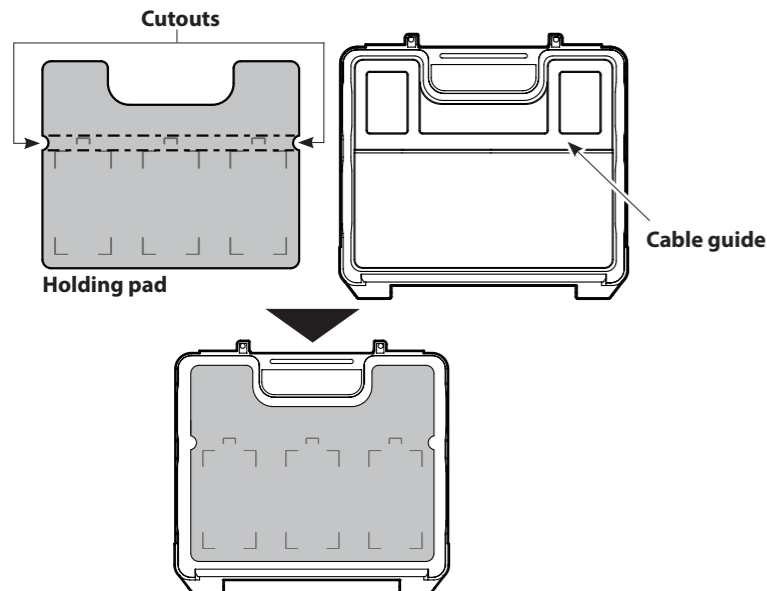


## Do It Yourself 1 (Cutting the Holding Pad)

When installing stompboxes, you can save layout time by using the existing pre-cuts in the holding pad to remove unneeded portions.

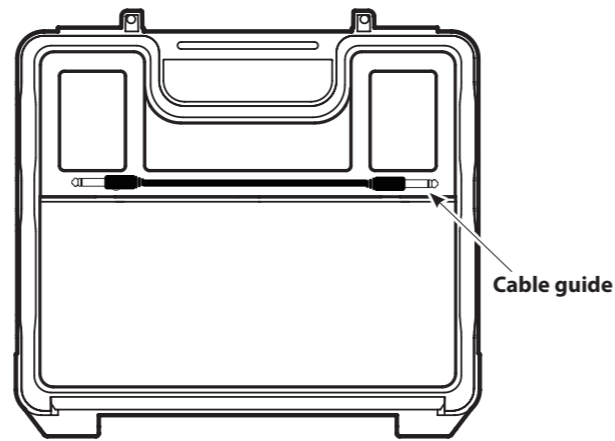
The cutouts at the left and right of the holding pad indicate the positions that are above the cable guides (places to conceal long cables) when it is placed in the case. Use these cutouts when deciding where to position your effect units, and cut the holding pad so that cables can be accommodated neatly when the effect units are installed.

- \* If you use a knife to cut the holding pad, take care not to injure yourself.
- \* When cutting the cutouts, take care not to damage nearby equipment with the knife.



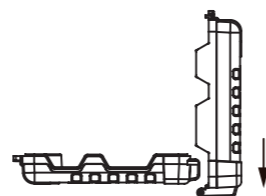
## Do It Yourself 2 (Keeping the Cables Neat)

If the power supply parallel cable and long patch cables are aligned with the cable guide, the cables can be managed neatly.

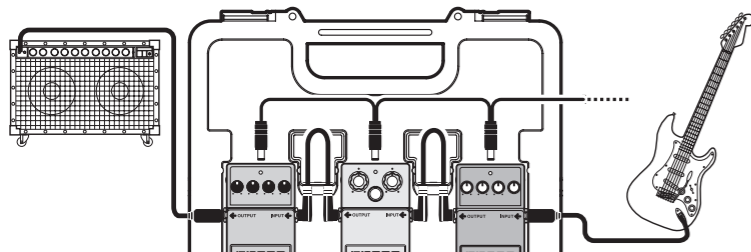


### MEMO

To detach the lid, lift it to the position shown in the illustration, and then press in the direction of the arrow.



## Making Connections



- \* To prevent malfunctions or speaker damage, be sure to minimize the volume of all devices and power them off before you make connections.
- \* After you have made connections correctly, you must observe the following procedure when turning on the power. Malfunctions or speaker damage might occur if you fail to observe the correct order.
  - When turning the power on: Power-on the amp last.
  - When turning the power off: Power-off the amp first.

## Main Specifications

<b>Dimensions</b>	330 (W) x 307 (D) x 100 (H) mm 13 (W) x 12-1/8 (D) x 3-15/16 (H) inches
<b>Inside dimensions</b>	66 (H) mm 2-5/8 (H) inches
<b>Weight</b>	1.3 kg 2 lbs 14 oz
<b>Accessories</b>	4-pin parallel DC cable x 1 Pre-cut insert pad (thickness: 10 mm) x 1 Owner's Manual
<b>Option (sold separately)</b>	AC adaptor: PSA series Pre-cut insert pad (thickness: 10 mm)

\* This document explains the specifications of the product at the time that the document was issued. For the latest information, refer to the Roland website.

## USING THE UNIT SAFELY

### INSTRUCTIONS FOR THE PREVENTION OF FIRE, ELECTRIC SHOCK, OR INJURY TO PERSONS

About **WARNING** and **CAUTION** Notices

- WARNING** Used for instructions intended to alert the user to the risk of death or severe injury should the unit be used improperly.
- CAUTION** Used for instructions intended to alert the user to the risk of injury or material damage should the unit be used improperly.
  - \* Material damage refers to damage or other adverse effects caused with respect to the home and all its furnishings, as well to domestic animals or pets.

About the Symbols

- The **WARNING** symbol alerts the user to important instructions or warnings. The specific meaning of the symbol is determined by the design contained within the triangle. In the case of the symbol at left, it is used for general cautions, warnings, or alerts to danger.
- The **NO** symbol alerts the user to items that must never be carried out (are forbidden). The specific thing that must not be done is indicated by the design contained within the circle. In the case of the symbol at left, it means that the unit must never be disassembled.
- The **PLUG** symbol alerts the user to things that must be carried out. The specific thing that must be done is indicated by the design contained within the circle. In the case of the symbol at left, it means that the power-cord plug must be unplugged from the outlet.

### ALWAYS OBSERVE THE FOLLOWING

- WARNING** Do not disassemble or modify by yourself. Do not carry out anything unless you are instructed to do so in the owner's manual. Otherwise, you risk causing malfunction. Do not repair or replace parts by yourself. Be sure to contact your dealer, a Roland service center, or an official Roland dealer. For a list of Roland service centers and official Roland dealers, refer to the Roland website. Do not place in an unstable location. Otherwise, you risk injury as the result of the unit toppling over or dropping down.
- WARNING** Do not use or store in the following types of locations:
  - Subject to temperature extremes (e.g., direct sunlight in an enclosed vehicle, near a heating duct, on top of heat-generating equipment); or are
  - Damp (e.g., baths, washrooms, on wet floors); or are
  - Exposed to steam or smoke; or are
  - Subject to salt exposure; or are
  - Exposed to rain; or are
  - Dusty or sandy; or are
  - Subject to high levels of vibration and shakiness; or are
  - Placed in a poorly ventilated location.
 Be cautious to protect children from injury. Always make sure that an adult is on hand to provide supervision and guidance when using the unit in places where children are present, or when a child will be using the unit.
- WARNING** Do not drop or subject to strong impact. Otherwise, you risk causing damage or malfunction.
- CAUTION** Avoid climbing on top of the unit, or placing heavy objects on it. Otherwise, you risk injury as the result of the unit toppling over or dropping down. Take care so as not to get fingers pinched. When handling the following moving parts, take care so as not to get fingers, toes, etc., pinched. Whenever a child uses the unit, an adult should be on hand to provide supervision and guidance.
  - Lid
  - If you use a knife to cut the holding pad, take care not to injure yourself.
  - When trimming the cutouts, take care that the knife does not damage nearby devices.

## IMPORTANT NOTES

- Placement**
  - Depending on the material and temperature of the surface on which you place the unit, its rubber feet may discolor or mar the surface.
- Maintenance**
  - Never use benzene, thinners, alcohol or solvents of any kind, to avoid the possibility of discoloration and/or deformation.
- Additional Precautions**
  - When disposing of the packing carton or cushioning material in which this unit was packed, you must observe the waste disposal regulations that apply to your locality.
  - When opening/closing the lid, please be careful not to get your fingers pinched between the movable part and the unit. In places where small children are present, make sure that an adult provides supervision and guidance.
- Intellectual Property Right**
  - Roland, BOSS are either registered trademarks or trademarks of Roland Corporation in the United States and/or other countries.
  - Company names and product names appearing in this document are registered trademarks or trademarks of their respective owners.

Manufacturer: Roland Corporation  
2036-1 Nakagawa, Hosoe-cho, Kita-ku, Hamamatsu, Shizuoka 431-1304, JAPAN  
Importer: Roland Corporation  
ENA 23 Zone 1 nr. 1620 Klaus-Michael Kuehnelaan 13, 2440 Geel, BELGIUM

- UK** This symbol indicates that in EU countries, this product must be collected separately from household waste, as defined in each region. Products bearing this symbol must not be discarded together with household waste.
- DE** Dieses Symbol bedeutet, dass dieses Produkt in EU-Ländern getrennt vom Hausmüll gesammelt werden muss gemäß den regionalen Bestimmungen. Mit diesem Symbol gekennzeichnete Produkte dürfen nicht zusammen mit dem Hausmüll entsorgt werden.
- FR** Ce symbole indique que dans les pays de l'Union européenne, ce produit doit être collecté séparément des ordures ménagères selon les directives en vigueur dans chacun de ces pays. Les produits portant ce symbole ne doivent pas être mis au rebut avec les ordures ménagères.
- IT** Questo simbolo indica che nei paesi della Comunità europea questo prodotto deve essere smaltito separatamente dai normali rifiuti domestici, secondo la legislazione in vigore in ciascun paese. I prodotti che riportano questo simbolo non devono essere smaltiti insieme ai rifiuti domestici. Ai sensi dell'art. 13 del D.Lgs. 25 luglio 2005 n. 151.
- ES** Este símbolo indica que en los países de la Unión Europea este producto debe recogerse aparte de los residuos domésticos, tal como está regulado en cada zona. Los productos con este símbolo no se deben depositar con los residuos domésticos.
- PT** Este símbolo indica que nos países da UE, a recolha deste produto deverá ser feita separadamente do lixo doméstico, de acordo com os regulamentos de cada região. Os produtos que apresentem este símbolo não deverão ser eliminados juntamente com o lixo doméstico.
- NL** Dit symbool geeft aan dat in landen van de EU dit product gescheiden van huishoudelijk afval moet worden aangeboden, zoals bepaald per gemeente of regio. Producten die van dit symbool zijn voorzien, mogen niet samen met huishoudelijk afval worden verwijderd.
- DK** Dette symbol indikerer at produktet skal behandles som specialaffald fra husholdningsaffald, som defineres i hver enkelt region. Produkter med dette symbol må ikke smides ud sammen med husholdningsaffald.
- NO** Dette symbolet indikerer at produktet skal behandles som spesialaffall i EU-land, iht. til retningslinjer for den enkelte region, og ikke kastes sammen med vanlig husholdningsaffall. Produkter som er merket med dette symbolet, må ikke kastes sammen med vanlig husholdningsaffall.
- SE** Symbolen anger att i EU-länder måste den här produkten kasseras separat från hushållsavfall, i enlighet med varje regions bestämmelser. Produkter med den här symbolen får inte kasseras tillsammans med hushållsavfall.
- FI** Tämä merkintä ilmaisee, että tuote on EU-maissa kerättävä erillään kotitalousjätteenä kunkin alueen voimassa olevien määräysten mukaisesti. Tällä merkinnällä varustettuja tuotteita ei saa hävittää kotitalousjätteen mukana.
- HU** Ez a szimbólum azt jelenti, hogy az Európai Unióban ezt a terméket a háztartási hulladéktól elkülönítve, az adott régióban érvényes szabályozás szerint kell gyűjteni. Az ezzel a szimbólummal ellátott termékeket nem szabad a háztartási hulladékok közé dobni.
- PL** Symbol oznacza, że zgodnie z regulacjami w odpowiednim regionie, w krajach UE produkt nie należy wyrzucać z odpadami domowymi. Produktów opatrzonych tym symbolem nie można utylizować razem z odpadami domowymi.
- CZ** Tento symbol udává, že v zemích EU musí být tento výrobek sbíráán odděleně od domácího odpadu, jak je určeno pro každý region. Výrobky nesoucí tento symbol se nesmí vyřazovat spolu s domácím odpadem.
- SK** Tento symbol vyjadruje, že v krajinách EÚ sa musí zber tohto produktu vykonať oddelene od domáceho odpadu, podľa nariadení platných v konkrétnej krajine. Produkty s týmto symbolom sa nesmú vyhadzovať spolu s domovým odpadom.
- EE** See sümbol näitab, et EL-i maades tuleb see toode etteprätigult eraldi koguda, nii nagu on iga piirkonnas määratletud. Selle sümboliga märgitud tooteid ei tohi ära visata koos olmeprügiga.
- LT** Šis simbolis rodo, kad ES valstīs šis produkts turi būti surenkamą atskirai nuo buitinių atliekų, kaip nustatyta kiekviename regione. Šio simbolio paženklinoti produktai neturi būti išmetami kartu su buitiniomis atliekomis.
- LV** Šis simbols norāda, ka ES valstīs šo produktu jāievieč atsevišķi no mājsaimecības atkritumiem, kā noteikts katrā reģionā. Produkts ar šo simbolu nerādīt izmet kopā ar mājsaimecības atkritumiem.
- SI** Ta simbol označuje, da je treba proizvod v državih EU zbirati ločeno od gospodinskih odpadkov, tako kot je določeno v vsaki regiji. Proizvoda s tem znakom ni dovoljeno odlagati skupaj z gospodinskimi odpadki.
- GR** Το σήμα alerts το συνολικό, ότι αυτός ο προϊόν πρέπει να συλλέγεται χωριστά από τα οικιακά απορρίμματα, σύμφωνα με τους προδιαγραφές σε κάθε περιοχή. Τα προϊόντα που φέρουν το συγκεκριμένο σήμα δεν πρέπει να απορρίπτονται μαζί με τα οικιακά απορρίμματα.

