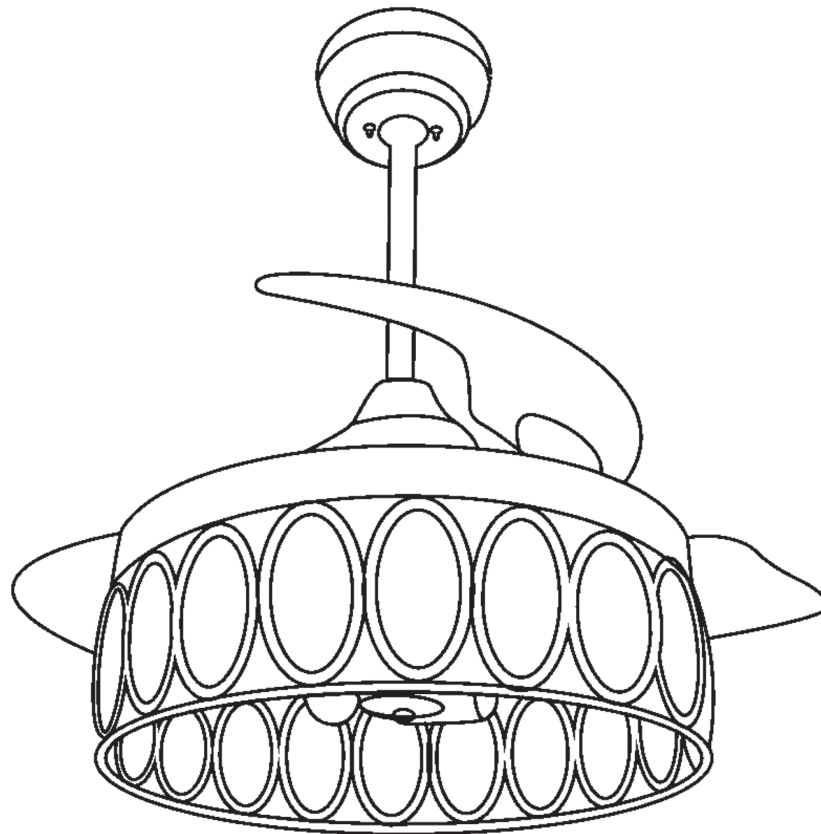


USE AND CARE GUIDE

36 INCH CEILING FAN



READ AND SAVE THESE INSTRUCTIONS

READ AND SAVE THESE INSTRUCTIONS



WARNING

WARNING: To avoid fire, shock and serious personal injury, please read the following instructions carefully.

Important Safety Instructions

1. Read all instructions and safety information before installing your new fan. Review the accompanying assembly diagrams.
2. Before installing the fan, disconnect the power by removing fuses or turning off circuit breakers.
3. Make sure all electrical connections comply with local codes, ordinances, or National Electrical Codes. Hire a qualified electrician or consult a do-it -yourself wiring handbook if you are unfamiliar with installing electrical wiring.
4. Make sure the installation site you choose allows the fan blades to rotate without any obstructions. Allow a minimum clearance of 7 feet (2.3 m) from the floor to the trailing edge of the blades.
5. If you are mounting the fan on a ceiling outlet box, use a metal outlet box. Secure the box directly to the building structure. The outlet box and its support must be able to support the moving weight of the fan (at least 50 lbs.). Do not use a plastic outlet box. Attach the mounting bracket by using the hardware supplied with the ceiling outlet box.
6. If you are mounting the fan to a joist, make sure it is strong enough to support the moving weight of the fan (at least 50 lbs.)
7. After installing the fan, make sure all the connections are secured. This will prevent the fan from falling.
8. Do not insert anything into the fan blades while the fan is operating.
9. Turn the fan off and wait for it to stop before reversing fan direction.
10. To reduce risk of electrical shock and personal injury, do not install the fan on a sloped ceiling.
11. To reduce the risk of electrical shock and personal injury, do not use this fan with any solid-state.
12. To reduce risk of personal injury, use only the two steel screws and lock washers provided with the fan for mounting the outlet box.

Table of Contents

ASSEMBLY DRAWING & PARTS LIST.....	2
HOW TO INSTALL THE FAN.....	3-6
MAINTENANCE.....	6
BALANCING FAN/WOBBLING/TROUBLE SHOOTING.....	7

ASSEMBLY DRAWING & PARTS LIST

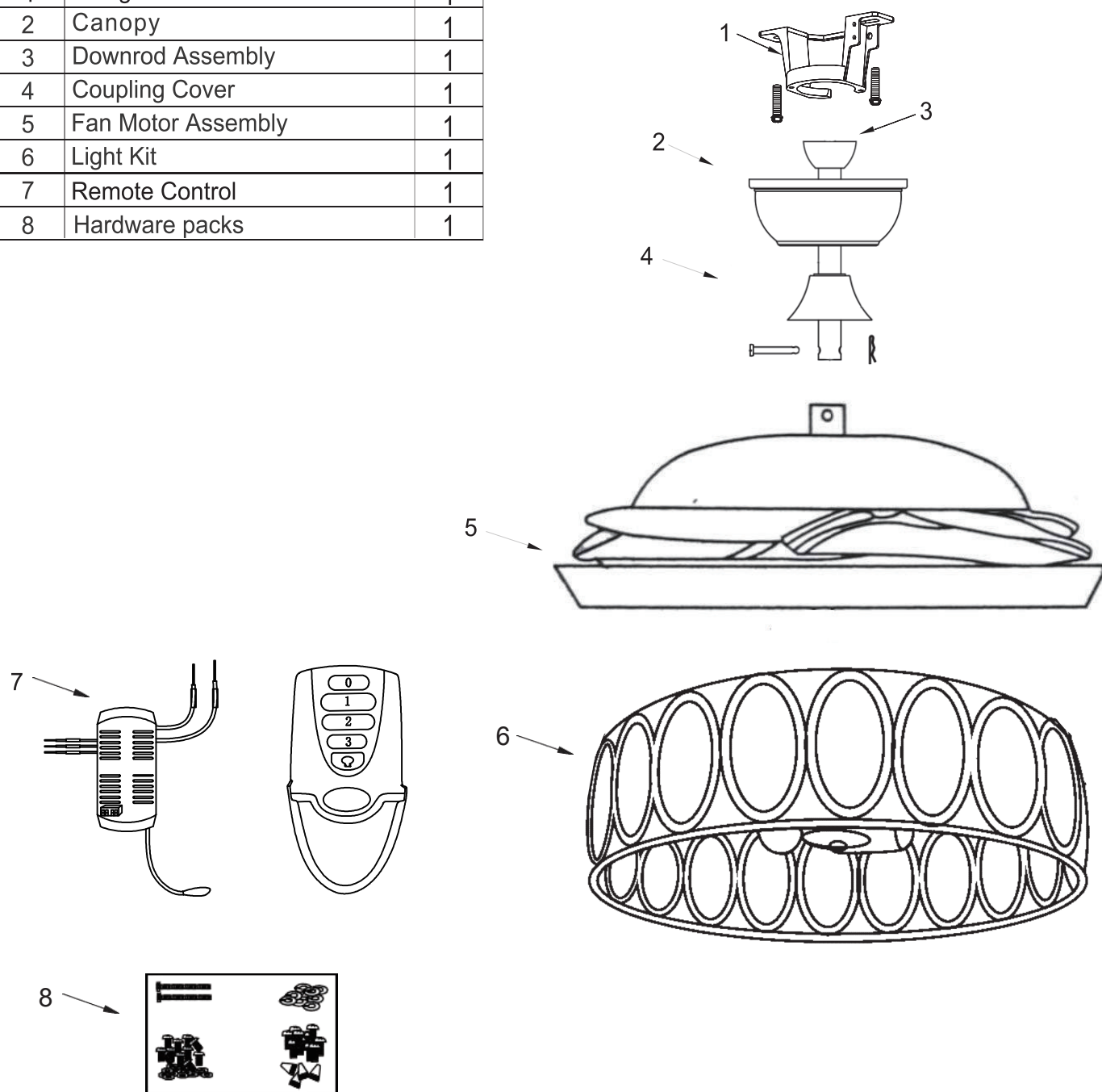
Unpacking Your Fan

Unpack your fan and check the contents. Please check each item prior to installation. To reduce the chance of marks or possible damages, please remove the parts when required for installation.

Parts List

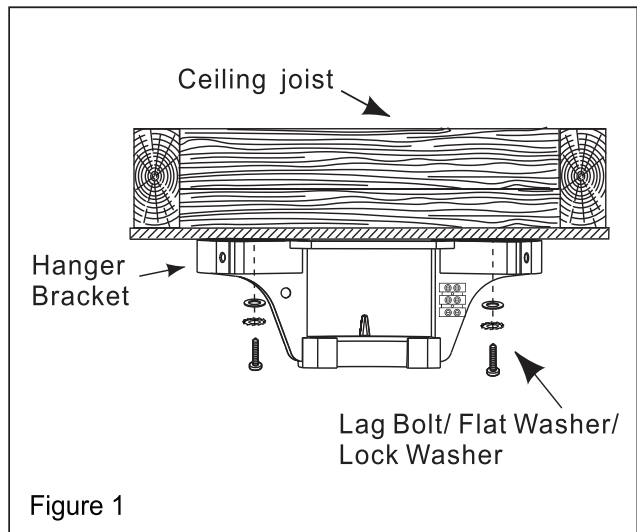
Ref.#	Description	Part#
1	Hanger Bracket	1
2	Canopy	1
3	Downrod Assembly	1
4	Coupling Cover	1
5	Fan Motor Assembly	1
6	Light Kit	1
7	Remote Control	1
8	Hardware packs	1

Assembly Drawing

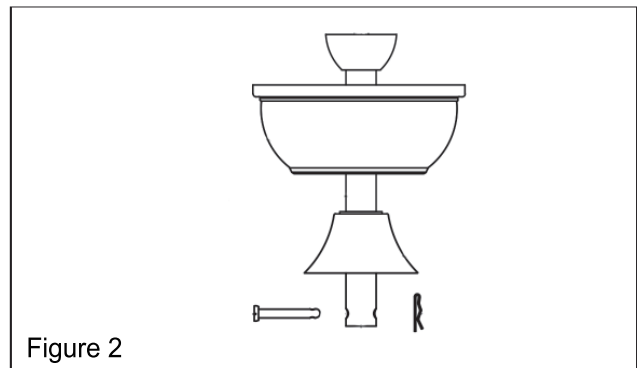


HOW TO INSTALL THE FAN

1. Securely attach the hanger bracket to the ceiling joist using the lag bolt, flat washers and spring washer supplied.
(Figure 1)

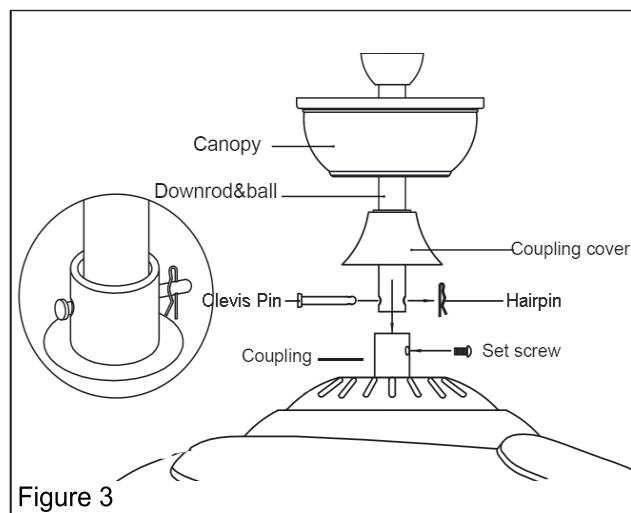


2. Remove and save the clevis pin and hairpin of the downrod. Put the downrod through the canopy and coupling cover.
(Figure 2)



3. Loosen two set screws on the downrod support and then place the downrod into the downrod support. Thread the electrical wires and the earth wire through the downrod.
(Figure 3).

Thread the electrical wires and the earth wire through the downrod. Align the Clevis Pin holes in the Downrod with the holes in the Downrod Support. Be sure to push the straight leg of the Hairpin Clip through the hole near the end of the Clevis Pin until the curved portion of the Hairpin snaps around the Clevis Pin. Finally, re-tighten the two set screws.

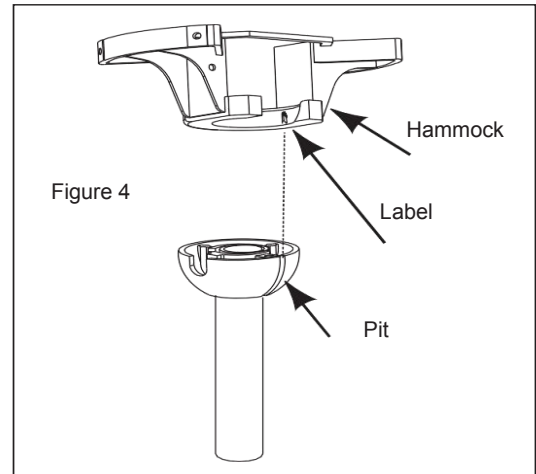



⚠ WARNING

It is critical that the clevis screw in the downrod support is properly installed and the set screws are securely tightened. Failure to verify the clevis screw, hairpin clip and set screws are properly installed could result in the fan falling.

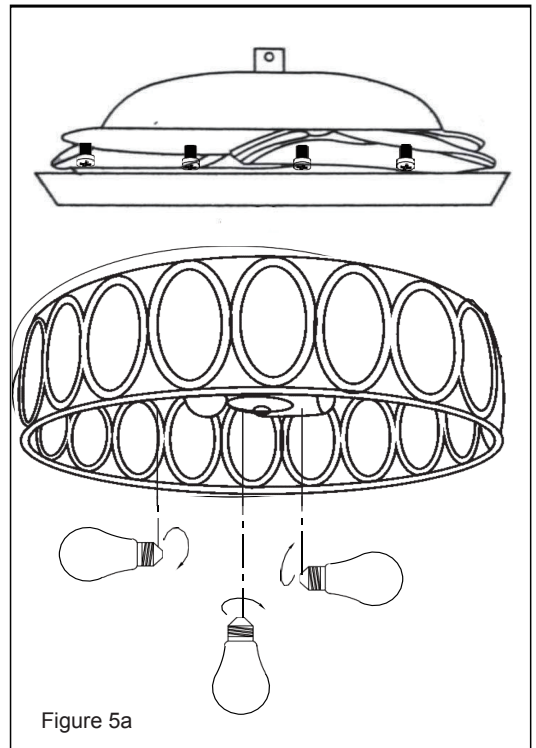
COMO INSTALE VENTILADOR

4. Care for the fan, and install the lever and the crane on a chandelier connected to the structure of the dome. Make sure the holes in the ball match the converging ears of the mounting bracket. Crane.
(Charts 4)



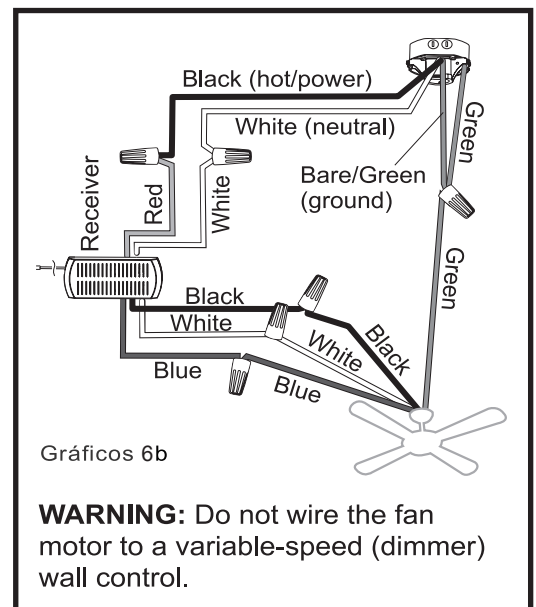
	Caveat
The fan must be at least 230 cm between the ground and the leaves.	

5. One screw for four lamp panels fix the lamp plate on the engine of the ventilator. (Figure 5a)
Connect the wiring from the Electric Unit to the battery, from blue to blue, from white to white. Put the bulb(excluded) into the 3*E26 lamp. (Figure 5b)



6. Use wire connectors to connect household supply and receiver wires according to the diagram and the following steps:

- Connect the green wire from the downrod and mounting bracket to the Bare/Green (ground) supply wire.
- Connect the Blue wire with the white label to the blue fan wire.
- Connect the Black wire with the white label to the black fan wire.
- Connect the White wire with the white label to the white fan wire.
- Connect the Red wire with the red label to the Black (live) supply wire.
- Connect the White wire with the red label to the White (neutral) supply wire.



Remote controller

GENERAL INFORMATION

This remote controller is designed to separately control your ceiling fan speed and light. There are four buttons (HI, MED, LOW, O) to control the speed of the fan and off. The red indicator on the transmitter will light when one of the five buttons is pressed.

INSTRUCTION OF INSTALLATION AND OPERATION

1.SETTING THE CODES

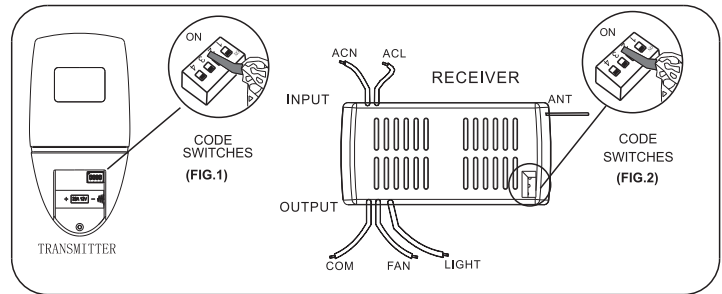
This unit has 16 different code combinations. To set the codes, perform the following steps:

- A. Setting the codes on the transmitter:
 - a. Remove battery cover. Press firmly on the arrow and slide battery cover off.
 - b. Slide code switches to your choice of up or down position. Factory setting is all up. Do not use this position. Use a small screwdriver or ball point pen to slide firmly up or down (Figure 1).
- B. Setting the codes on the receiver:
 - a. Slide code switches to the same position as set on your transmitter (Figure 2)
 - b. Replace battery cover on the transmitter.

2.INSTALLING RECEIVER IN CEILING FAN

- A. Safety precautions:

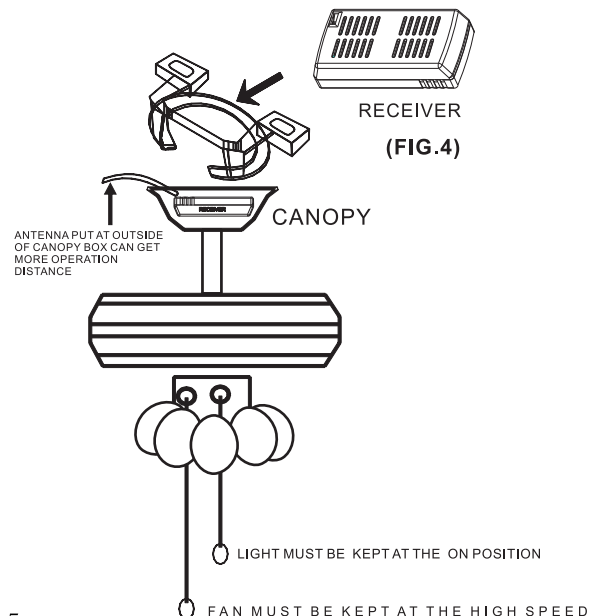
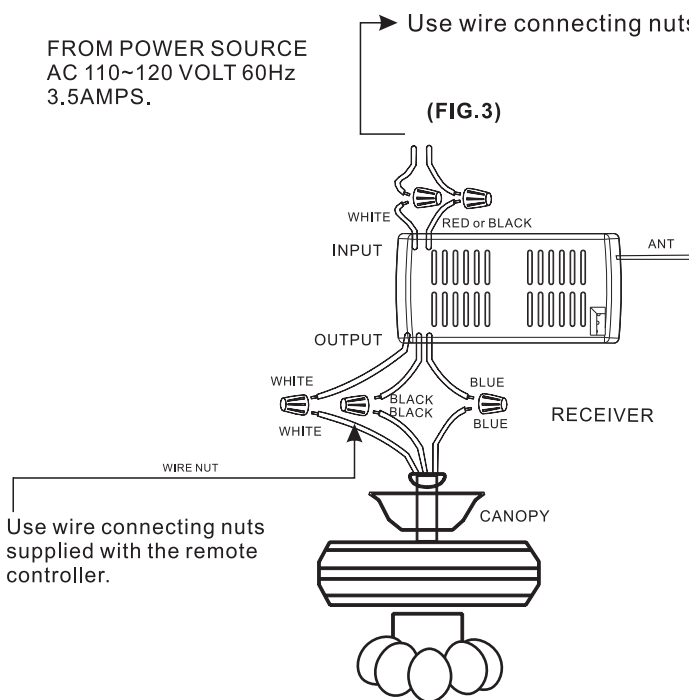
WARNING: HIGH VOLTAGE! Disconnect power by removing fuse or switching off circuit breaker. Do not use with solid state fans. Electrical wire must meet all local and national electrical code requirements. Supply for fan must be 110/120 volt, 60Hz. Maximum fan motor amps: 1.0, Maximum light watts: 180 incandescent or ballast. Otherwise power can cause serious injury or death.
- B. Installing receiver in fan:
 - a. Remove power from the circuit.
 - b. Remove ceiling fan canopy from the mounting bracket.
 - c. Disconnect existing wiring between ceiling fan and Supply in electrical junction box.
 - d. Make connections as follows, using the wire nuts supplied:



CAUTION: Ceiling Angle Shall Not Exceed 30 Degrees, For Mounting Controller, Model RC-R26

CONNECT TO

Green fan wireBare supply wire
 Red or Black receiver wire(AC IN L)Red or Black supply wire
 White receiver wire(AC IN N)White supply wire
 White receiver wire(TO MOTOR N)White fan wire
 Black receiver wire(TO MOTOR L)Black fan wire
 Blue receiver wire(FOR LIGHT)Blue light wire



If other fans or supply wires are different color, have this unit installed by qualified licensed electrician.

- e. Push all connected wires up into junction box.
- f. Lay the brown antenna wire on top of the receiver, and put the receiver into the mounting bracket.
- g. Reinstall the canopy on the mounting bracket.
- h. Restore power.

3. OPERATING TRANSMITTER:

- A. Install 12 volt battery(not included). (To prevent damage to transmitter, remove the battery if not used for a long time).
- B. Store the transmitter away from excessive heat or humidity.
- C. This remote control unit is equipped with 16 code combinations. In order to prevent possible interference from or to other remote units such as garage door openers, car alarm or security system. If you find that your fan and light kit go on and off without using your remote control, simply change the code combination in your transmitter and receiver.
- D. Operating the buttons on the panel of the transmitter.
 - 1 key -for fan high speed.
 - 2 key-for fan medium speed.
 - 3 key-for fan low speed.
 - 0 key-for fan off.

FCC Statement:

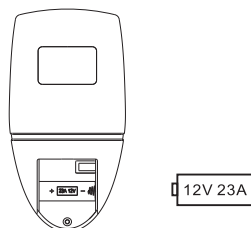
1. This device complies with Part 15 of the FCC Rules. Operation is subject to the following two conditions:

- (1) This device may not cause harmful interference.
 - (2) This device must accept any interference received, including interference that may cause undesired operation.
2. Changes or modifications not expressly approved by the party responsible for compliance could void the user's authority to operate the equipment.

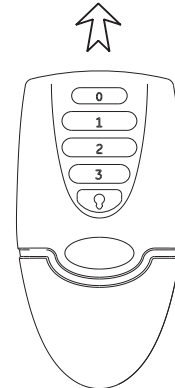
NOTE: This equipment has been tested and found to comply with the limits for a Class B digital, pursuant to Part 15 or the FCC Rules. These limits are designed to provide reasonable protection against harmful interference in a residential installation. This equipment generates, uses and can radiate radio frequency energy and, if not installed and used in accordance with the instructions, may casue harmful interference to radio communications, However, there is no guarantee that interference will not occur in a particular installation. If the equipment does cause harmful interference to radio or television reception, which can be determined by turning the equipment off and on, the user is encouraged to try to correct the interference by one or more of the following measures:

- Reorient or relocate the receiving antenna.
- Increase the separation between the equipment and receiver.
- Connect the equipment into an outlet on a circuit different from that to which the receiver is connected.
- Consult the dealer or an experienced radio/ TV technician for help.

YOUR REMOTE NOW HAS FULL CONTROL OF THE FAN AND LIGHT.



OPERATION DISTANCE 20 FEET



MODEL:
SS-T05

TRANSMITTER

"Optional Wall Mounting for Transmitter Holder"

Place in accessible area of your home, and screw the transmitter holder into wall using the two screws provided, slide hand unit into holder.

4. TROUBLE SHOOTING GUIDE

- 1. Fails to operate
 - a. Power to receiver ?
 - b. Receiver wired correctly ?
 - c. Fan manual speed control in highest position ?
 - d. Light kit switch turned on ?
 - e. Good battery in the transmitter ?
 - f. Code set at exact same positions in both transmitter and receiver ?
- 2. Won' t operate at distance
 - If transmitter operates fan/light kit when up close, but not at 20 feet away.
 - Try placing the brown antenna wire higher, up through ceiling/outside the junction box.

NOTICE !

Your ceiling fan and light kit assembly must meet the following requirements:

- 1. Do not use with solid state fans.
- 2. Electrical rating: 120v 60Hz 3.5A
 - MAX. Motor amps: 1.0
 - MAX. Light watts: 180-(incandescent, or ballast non-dimmer, or LED)

WARNING

TO REDUCE THE RISK OF SHOCK, THIS FAN MUST BE INSTALLED WITH A WALL CONTROL/SWITCH.

MANTENIMIENTO

1. Periodic cleaning of the cooling fan roof is the only maintenance necessary
2. Use only a soft brush or cloth lint free to prevent scratching the finish.
3. No abrasive cleaner needed and should be avoided to prevent damage.



CAVEAT

Do not use solvents to clean the ceiling fan. They could damage engine and cause possible shocks electrical.

RECOMMENDED: Periodically check that the blade assemblies of the fixing screws of the fan motor are tight.

FAN BALANCING / MOTION TROUBLESHOOTING

Please note that all ceiling fans are not created equal, even in the same model; some they can move more or less than others. The movement of a couple of centimeters is quite acceptable and it does not suggest that the fan falls down.

Although all blades are weighted and grouped by weight, it is impossible to eliminate wobble by complete. This should not be considered a bug. Ceiling fans tend to move during operation because they are generally not rigidly mounted.

Try the following to reduce a fan moving

1. Check that all blade mounting screws are tight and secure.
2. Wobble issues may be due to inconsistent blade level. To check blade level, measure the distance from each blade tip to the ceiling. Note: If the measurements are inconsistent:
 - Make sure the blade mounting bolts are either too tight or too loose, which may cause wobble due to the blade tip being level.
 - A blade out of shape can cause wobble. Check by removing the blade and placing it on a flat surface.
3. Blade tracking can be examined simply by a house rule. Position the ruler vertically against the ceiling and even with the outer edge of a cross. Note the distance of one blade edge compared to the others. Rotate the blade slowly by hand to check the remaining blades. If a blade is not aligned, the blade is out of shape, warped, or the blade bolts are not evenly tightened or loose.