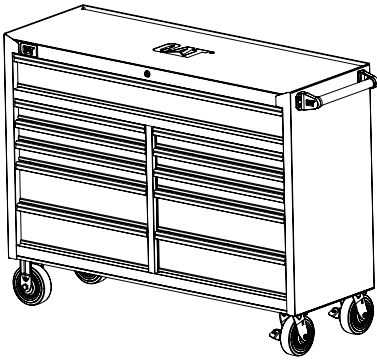


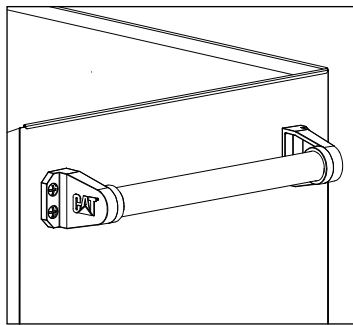
OWNER'S MANUAL

Cabinets

Model: CT1CYR

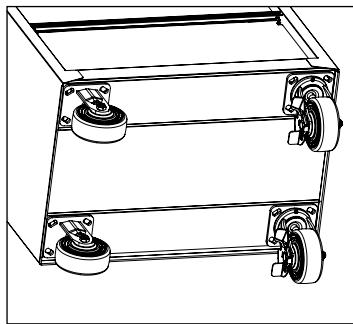


Locking mechanism used on cabinets is engaged by rotating cam lock with a key. Drawers should be fully closed before locking mechanism is engaged.



Side Handle

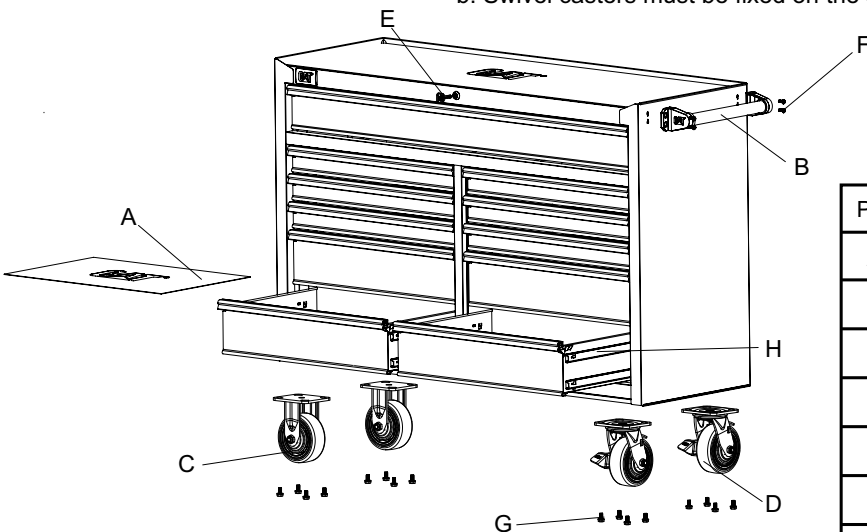
Install the side handle with included screws.



Casters

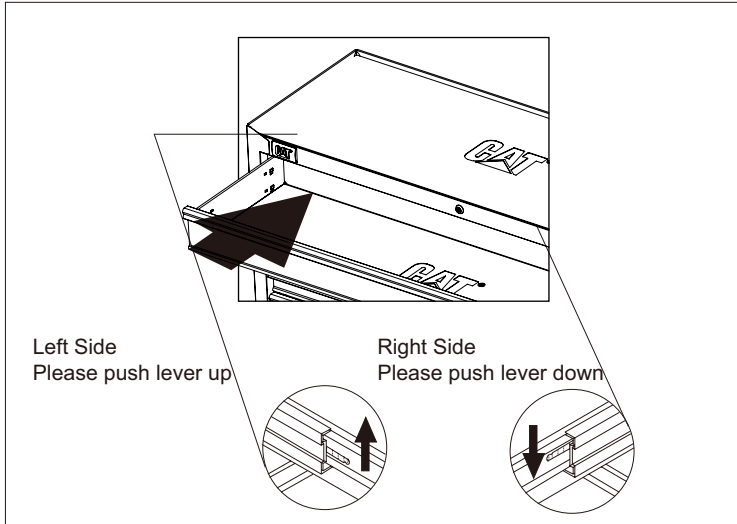
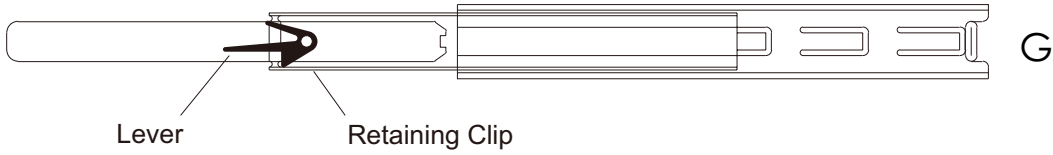
a. Includes 2 fixed casters and 2 swivel casters.

b. Swivel casters must be fixed on the same side.



Part	Description	Quantity
A	Drawer/Work Surface Liner	12
B	Cabinet Handle	1
C	Fixed Caster	2
D	Swivel Caster	2
E	Lock & Key	1
F	M6 x 15 Hex Bolt	4
G	M8 x 25 Hex Bolt	16
H	Drawer Slide Set	16





How to Remove Drawers

Each drawer slide has a black retaining clip. To remove drawer, retaining clips on slides need to be released by pushing lever up (left side of slides) and down (right side of slides) at the same time, and slide the drawer out.

How to Install Drawers

Pull the slide out and then match the track to push in.



Attention:

1. When installing the drawer, it is normal for you to feel resistance when pushing in the drawer.
2. Please push the drawer all the way in and pull out 2-3 times to check whether the drawer operates smoothly.
 - a. If the drawer is blocked please remove and re-install.
 - b. If the drawer moves smoothly, the drawer has been re-engaged correctly.

Lubrication

It is important for the smooth operation of slides to lubricate them periodically with light grease . This should be done at least twice a year or more frequently depending on usage.

