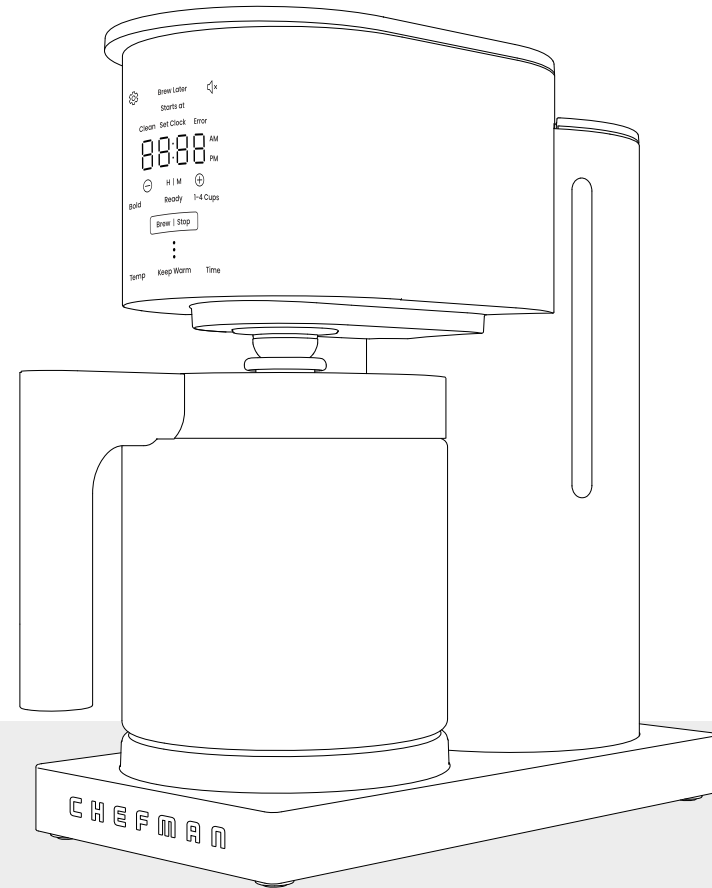


CHEFMAN Caffeinator Drip™ 14-Cup Coffee Maker

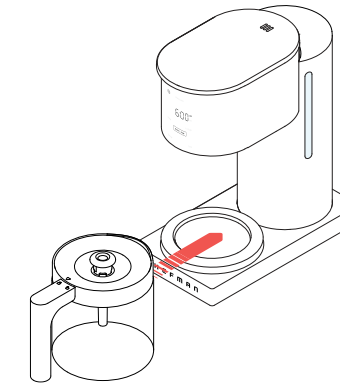
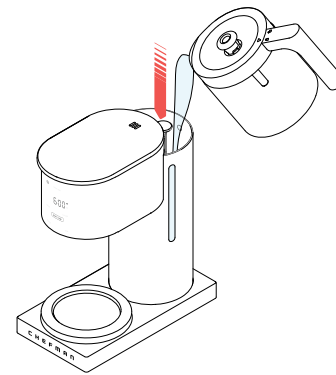
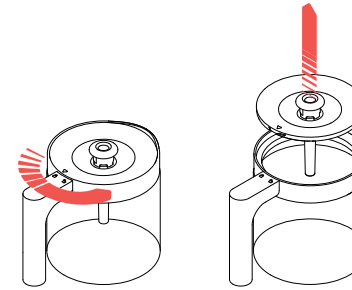


CHEFMAN® is a registered trademark of RJ Brands, LLC.
Caffeinator Drip™ is a trademark of RJ Brands, LLC.

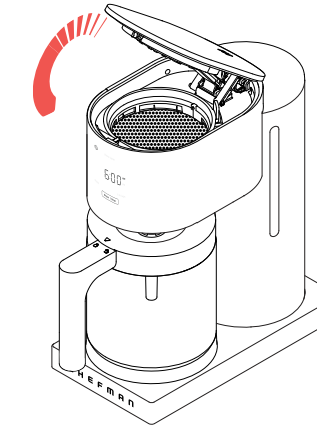
Quick Start Guide - C14-DR14-1-CA-SERIES

Setting up a basic brew

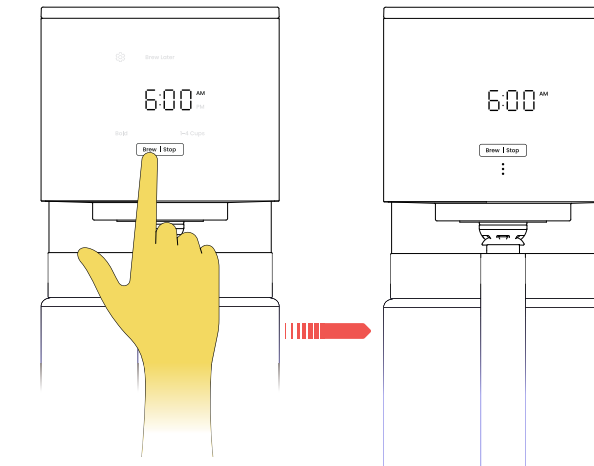
1. Remove the lid from the carafe: Turn the locking knob counter-clockwise to unlock, then lift off the lid.
2. Fill the carafe with water, then remove the reservoir lid and pour the water into the reservoir. Replace the reservoir lid.
3. Slide the carafe under the brew head, making sure it is properly seated on the heating plate.
4. Place the filter holder in the brew chamber. Put **EITHER** the reusable filter or a disposable paper filter in the filter holder, **NOT** both. Add ground coffee.



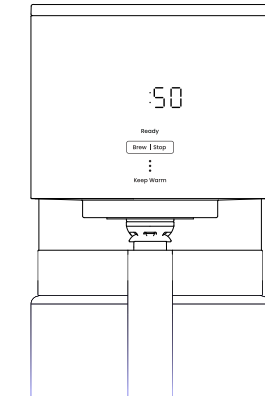
5. Push the brew chamber lid down, you'll feel the two magnets connecting it closed.



6. For brewing a full pot at classic strength, press the **Brew | Stop** button.

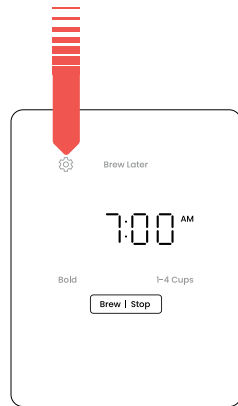


7. When the brew cycle is complete, the unit will beep, and **Ready** will illuminate on the control panel. The unit will automatically go into Keep Warm mode, defaulting to the highest temperature and counting up to 2 hours (time and temperature can be adjusted; see other side of this guide). Press **Brew | Stop** if you want to turn off Keep Warm early.

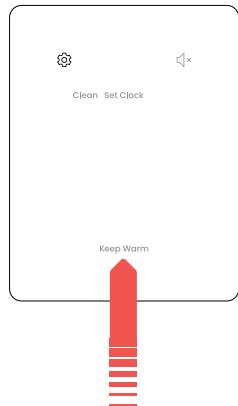


Customizing Keep Warm Time and Temperature

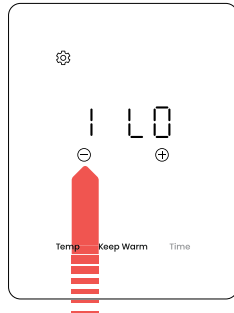
1. After brewing, the coffee maker defaults to Keep Warm mode for 2 hours at the highest temperature. To change these parameters, first press the **Settings** button while in Standby mode.



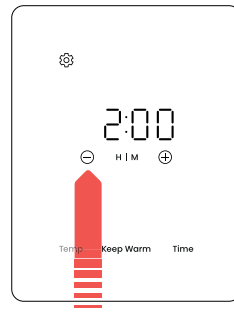
2. From there, press the **Keep Warm** button.



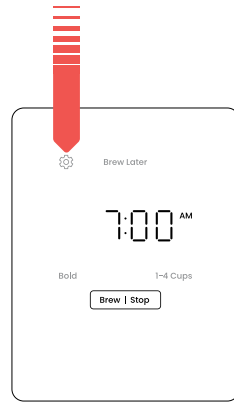
3. To change the temperature, press **Temp** then use the + and - buttons to adjust to your liking; you can set the temperature at level 1, 2, or 3 (3 being the hottest).



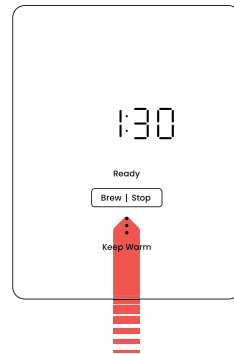
4. To change the Keep Warm duration, press **Time** then use the H and M buttons to switch between hours and minutes, and the + and - buttons to adjust the time anywhere from 15 minutes to 4 hours.



5. Press the **Settings** button again to confirm and exit the settings menu.



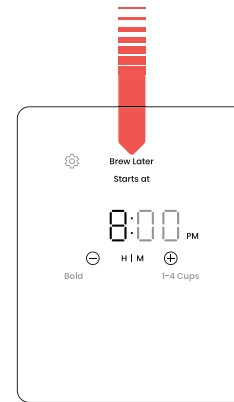
6. If you finish the pot of coffee before the set Keep Warm time is up, turn it off by pressing **Brew | Stop**.



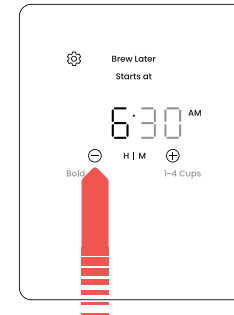
Setting Up Brew Later

To use the Brew Later function, you must have the clock set to the current time. (See Before First Use in User Guide.)

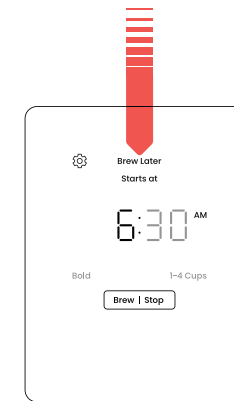
1. Press the **Brew Later** button; the words "**Starts at**" will illuminate on the control panel.



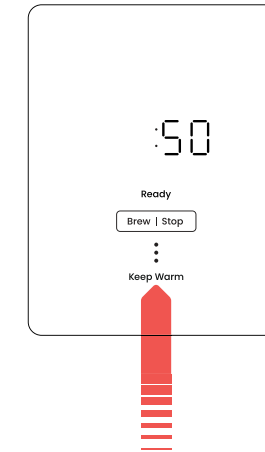
2. Use the + and - buttons to set the time you'd like to begin brewing (be sure to select AM or PM).



3. To confirm, press the **Brew Later** button again; it will go from blinking to solid and the unit will return to Standby mode. When the programmed time occurs, the unit will begin brewing automatically.



4. When a Brew Later cycle finishes, the unit will automatically go into Keep Warm mode for 2 hours at the highest temperature setting. You can customize the Keep Warm parameters in the Settings menu either before or after setting up your Brew Later cycle.



5. To use the function daily, you'll need to activate it each day by pressing the **Brew Later** button twice, but it will default to the previous start time and other settings, such as Bold or Keep Warm time and temperature.

