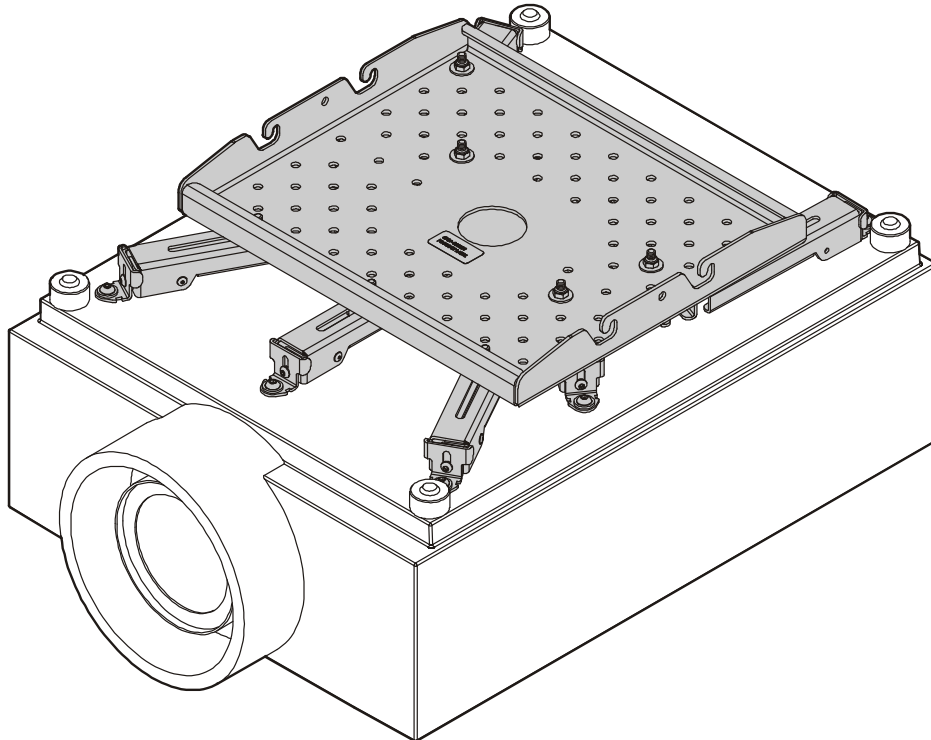

INSTALLATION INSTRUCTIONS INSTRUCTIONS D'INSTALLATION MONTAGEANLEITUNG




Universal HB Interface
Interface universelle HB
HB-Universalanschlussplatte


DISCLAIMER


Milestone AV Technologies and its affiliated corporations and subsidiaries (collectively "Milestone"), intend to make this manual accurate and complete. However, Milestone makes no claim that the information contained herein covers all details, conditions or variations, nor does it provide for every possible contingency in connection with the installation or use of this product. The information contained in this document is subject to change without notice or obligation of any kind. Milestone makes no representation of warranty, expressed or implied, regarding the information contained herein. Milestone assumes no responsibility for accuracy, completeness or sufficiency of the information contained in this document.


Chief® is a registered trademark of Milestone AV Technologies. All rights reserved.


IMPORTANT SAFETY INSTRUCTIONS


 **WARNING:** A WARNING alerts you to the possibility of serious injury or death if you do not follow the instructions.


 **CAUTION:** A CAUTION alerts you to the possibility of damage or destruction of equipment if you do not follow the corresponding instructions.


 **WARNING:** Failure to read, thoroughly understand, and follow all instructions can result in serious personal injury, damage to equipment, or voiding of factory warranty! It is the installer's responsibility to make sure all components are properly assembled and installed using the instructions provided.

 **WARNING:** Failure to provide adequate structural strength for this component can result in serious personal injury or damage to equipment! It is the installer's responsibility to make sure the structure to which this component is attached can support five times the combined weight of all equipment. Reinforce the structure as required before installing the component.

 **WARNING:** Exceeding the weight capacity can result in serious personal injury or damage to equipment! It is the installer's responsibility to make sure the weight of the projector attached to the HBU interface bracket does not exceed 250 lbs (113.4 kg).

 **WARNING:** Use this mounting system only for its intended use as described in these instructions. Do not use attachments not recommended by the manufacturer.

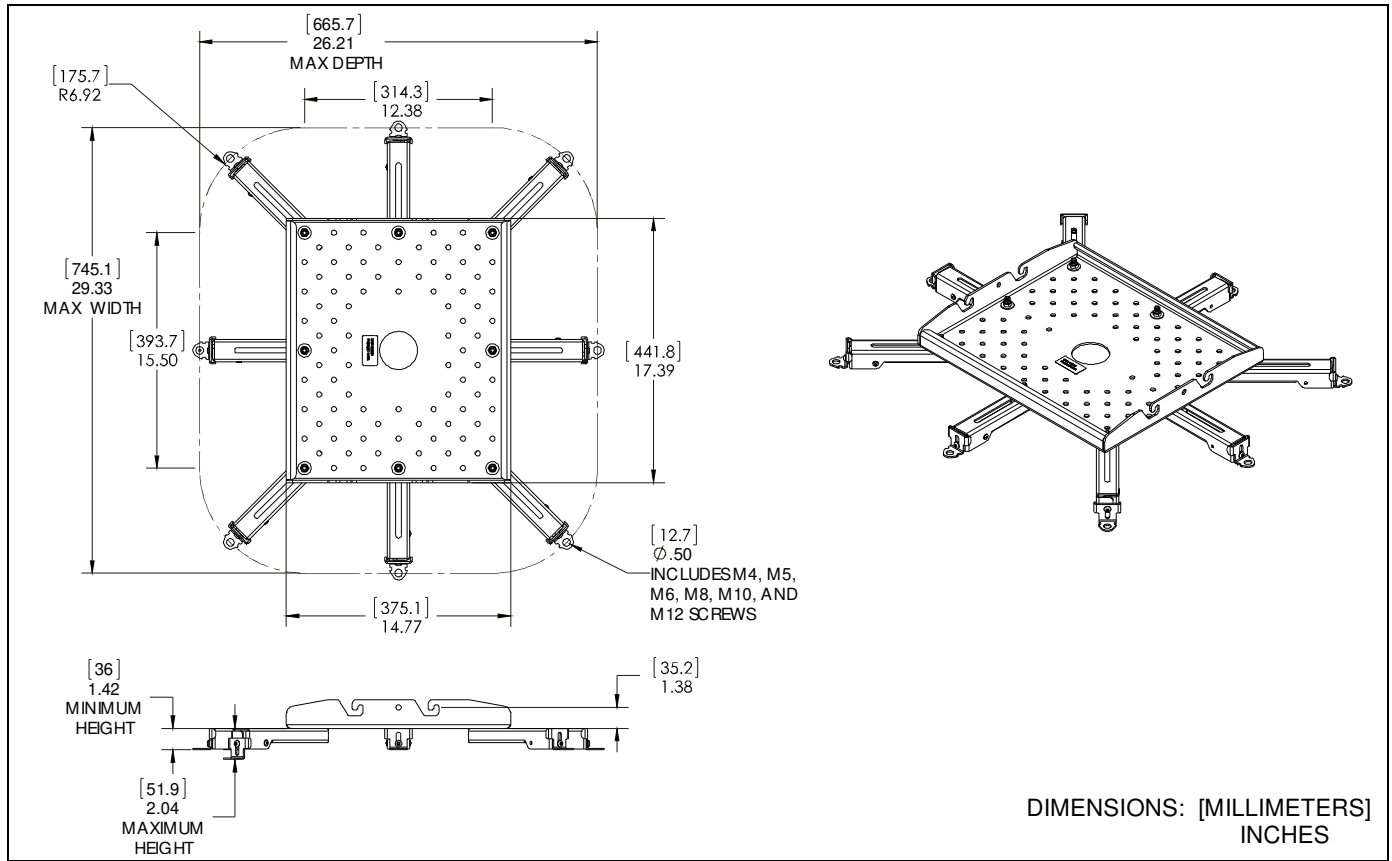
 **WARNING:** Never operate this mounting system if it is damaged. Return the mounting system to a service center for examination and repair.

 **WARNING:** Do not use this product outdoors.

IMPORTANT ! : These instructions assume that an appropriate mounting method (not included) has already been properly installed to a ceiling structure.

--SAVE THESE INSTRUCTIONS--

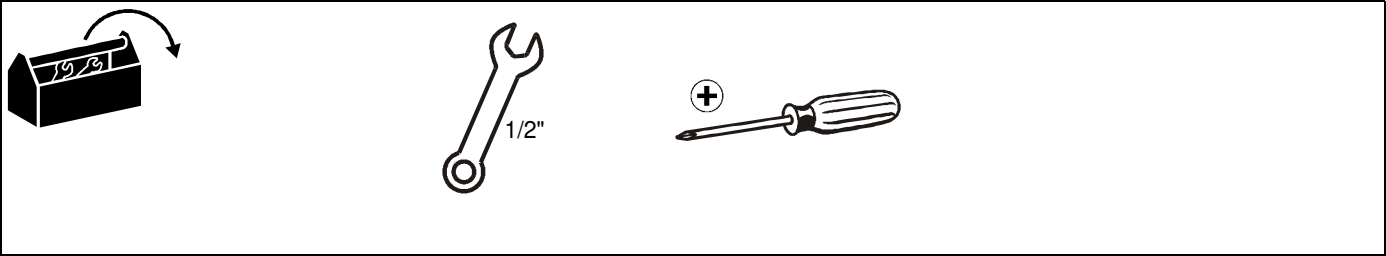
DIMENSIONS



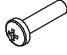

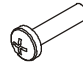



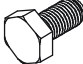







LEGEND

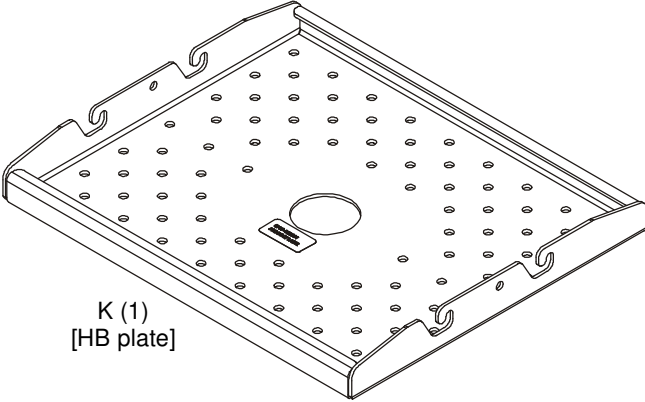
	<p>Tighten Fastener Apretar elemento de fijación Befestigungsteil festziehen Apertar fixador Serrare il fissaggio Bevestiging vastdraaien Serrez les fixations</p>		<p>Adjust Ajustar Einstellen Ajustar Regolare Afstellen Ajuster</p>
	<p>Loosen Fastener Aflojar elemento de fijación Befestigungsteil lösen Desapertar fixador Allentare il fissaggio Bevestiging losdraaien Desserrez les fixations</p>		<p>Open-Ended Wrench Llave de boca Gabelschlüssel Chave de bocas Chiave a punta aperte Steeksleutel Clé à fourche</p>
	<p>Phillips Screwdriver Destornillador Phillips Kreuzschlitzschraubendreher Chave de fendas Phillips Cacciavite a stella Kruiskopschroevendraaier Tournevis à pointe cruciforme</p>		<p>Hex-Head Wrench Llave de cabeza hexagonal Sechskantschlüssel Chave de cabeça sextavada Chiave esagonale Zeskantsleutel Clé à tête hexagonale</p>

TOOLS REQUIRED FOR INSTALLATION

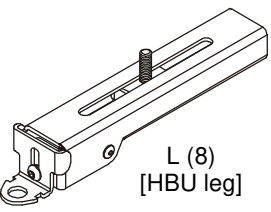


PARTS

<p>BAG A</p>  <p>A (8) M5 x 20mm</p>	<p>BAG B</p>  <p>BA (8) M6 x 16mm</p>  <p>BB (8) M6 x 25mm</p>	<p>BAG C</p>  <p>CA (8) M8 x 12mm</p>  <p>CB (8) M8 x 16mm</p>  <p>CC (8) M8</p>			
 <p>D (8) M10 x 20mm</p> <p>BAG D</p>	 <p>E (8) M12 x 20mm</p> <p>BAG E</p>	 <p>FA (8) 5/16"</p>  <p>FB (8) 5/16"</p> <p>BAG F</p>	 <p>G (8) [Nesting washer]</p> <p>BAG G</p>	 <p>H (4) 5/16"</p> <p>BAG H</p>	 <p>JA (8) M4x16mm</p>  <p>JB (8) M5</p> <p>BAG J</p>



K (1)
[HB plate]



L (8)
[HBU leg]

INSTALLATION



WARNING: FAILURE TO PROVIDE ADEQUATE STRUCTURAL STRENGTH FOR THIS COMPONENT CAN RESULT IN SERIOUS PERSONAL INJURY OR DAMAGE TO EQUIPMENT! It is the installer's responsibility to make sure the structure to which this component is attached can support five times the combined weight of all equipment. Reinforce the structure as required before installing the component.

Installing VCM Ceiling Mount

Install the VCM ceiling mount (not included) to the structure following instructions included with the VCM mount.

Installing HBU Bracket



WARNING: IMPROPER INSTALLATION CAN LEAD TO PROJECTOR FALLING CAUSING SERIOUS PERSONAL INJURY OR DAMAGE TO EQUIPMENT! Using screws of improper size may damage your projector. Properly sized screws will easily and completely thread into projector mounting holes.

1. Select correct screws and washers from the hardware bags (A, B, C, D, E, G, J). (See Table 1)

Table 1

Fastener Size	Washer
M4x16mm (JA)	M4 washer (JB), Nesting Washer (G)
M5x20mm (A)	Nesting Washer (G)
M6x16mm (BA)	Nesting Washer (G)
M6x25mm (BB)	Nesting Washer (G)
M8x12mm (CA)	M8 washer (CC)
M8x16mm (CB)	M8 washer (CC)
M10x20mm (D)	No washer
M12x20mm (E)	No washer

2. Attach HBU legs (L) to projector using selected fasteners and washers. (See Figure 1) and (See Figure 2)



WARNING: One HBU leg should be attached to each available mounting hole in the projector. A minimum of three legs must be used if using M5 or larger fasteners. A minimum of four legs must be used if using M4 fasteners.

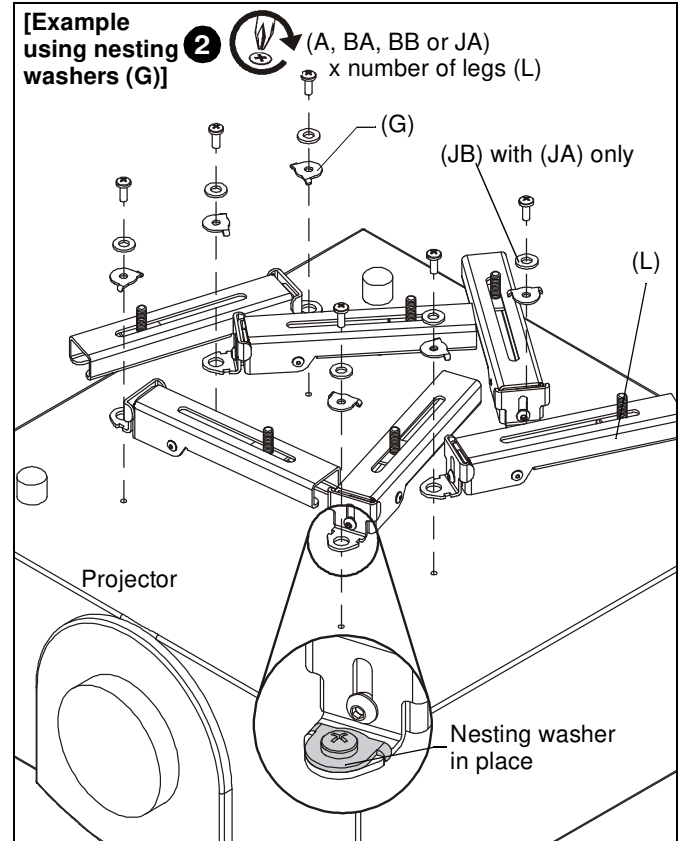


Figure 1

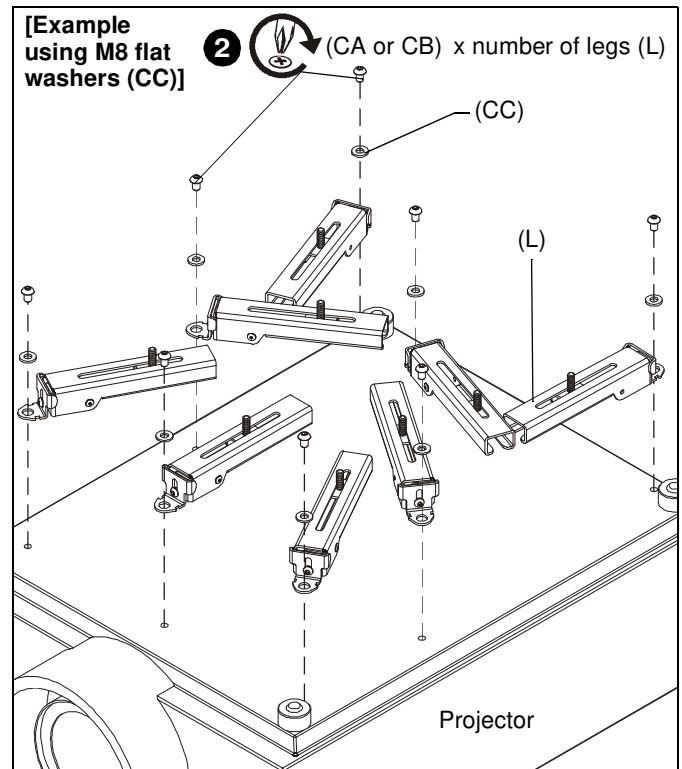


Figure 2

- Lower HB plate (K) onto legs and fasten using one 5/16" lock nut (FA) and one 5/16" flat washer (FB) on each HBU leg (L). (See Figure 3)

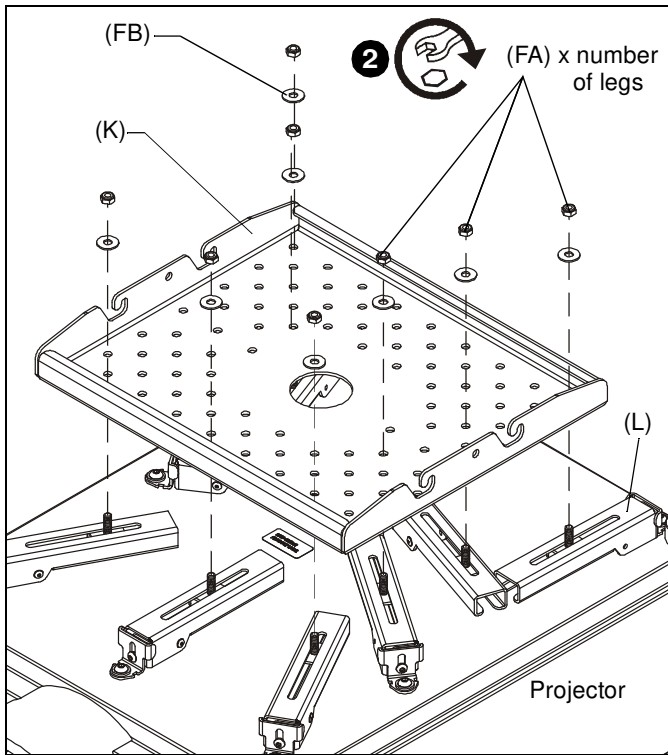


Figure 3

Installing HBU Bracket to VCM

CAUTION: Installing a ceiling mount requires the presence of two persons familiar with mechanical installations. A third assistant is recommended.

- With help of assistants, lift the HBU bracket with the attached projector and install it to the four studs extending from the VCM ceiling mount (not included). (See Figure 4)

IMPORTANT ! : Ensure that the VCM ceiling mount is seated in slots on HBU bracket. (See Figure 4)

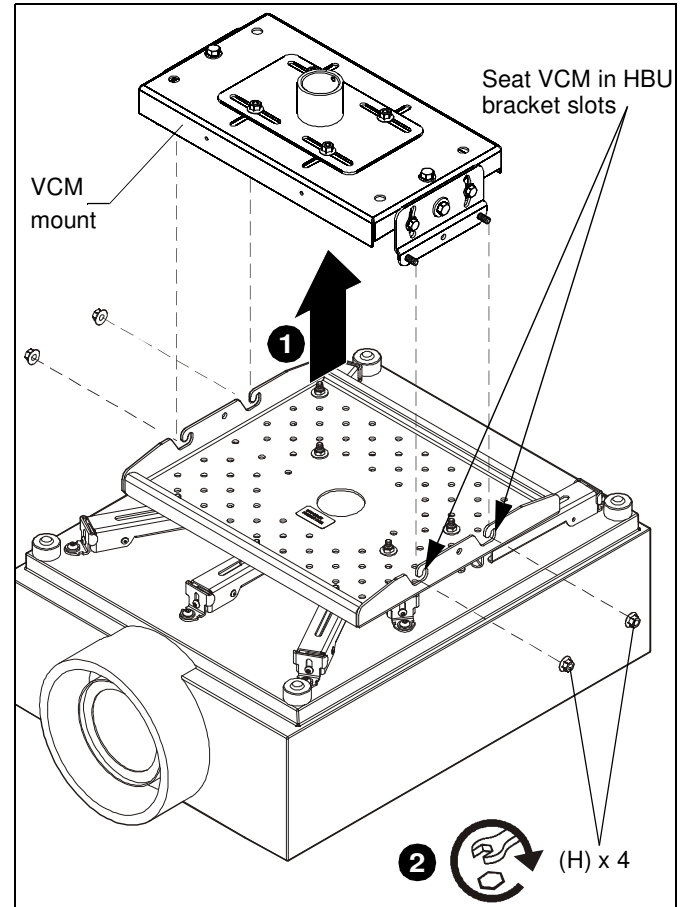


Figure 4

- Fasten with four 5/16" flange nuts (H). (See Figure 4)

IMPORTANT ! : Ensure that four flange nuts are tightened securely.

Adjustments

WARNING: MOUNTING HARDWARE IS TO BE LOOSENED ONLY ENOUGH TO ALLOW FOR NECESSARY MOVEMENT. Over-loosening or removal of mounting hardware may result in personal injury or serious damage to equipment!

Adjustments should be made following instructions accompanying the VCM ceiling mount.



Our Mounts. **Your Vision.**

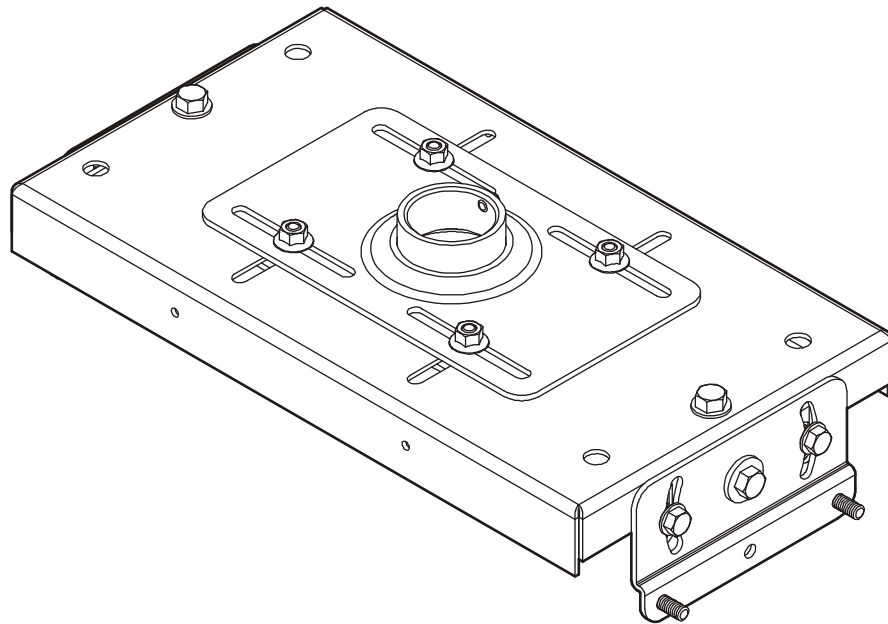
Chief Manufacturing, a products division
of Milestone AV Technologies

8800-002415 Rev00
©2013 Milestone AV Technologies, a
Duchossois Group Company
www.chiefmfg.com
05/13

USA/International	A 6436 City West Parkway, Eden Prairie, MN 55344 P 800.582.6480 / 952.225.6000 F 877.894.6918 / 952.894.6918
Europe	A Franklinstraat 14, 6003 DK Weert, Netherlands P +31 (0) 495 580 852 F +31 (0) 495 580 845
Asia Pacific	A Office No. 1 on 12/F, Shatin Galleria 18-24 Shan Mei Street Fotan, Shatin, Hong Kong P 852 2145 4099 F 852 2145 4477



INSTALLATION INSTRUCTIONS INSTRUCTIONS D'INSTALLATION MONTAGEANLEITUNG




HD Projector Mount Support pour projecteur HD HD-Projektorhalterung


DISCLAIMER


Milestone AV Technologies and its affiliated corporations and subsidiaries (collectively "Milestone"), intend to make this manual accurate and complete. However, Milestone makes no claim that the information contained herein covers all details, conditions or variations, nor does it provide for every possible contingency in connection with the installation or use of this product. The information contained in this document is subject to change without notice or obligation of any kind. Milestone makes no representation of warranty, expressed or implied, regarding the information contained herein. Milestone assumes no responsibility for accuracy, completeness or sufficiency of the information contained in this document.


Chief® is a registered trademark of Milestone AV Technologies. All rights reserved.


IMPORTANT SAFETY INSTRUCTIONS

 **WARNING:** A WARNING alerts you to the possibility of serious injury or death if you do not follow the instructions.


 **CAUTION:** A CAUTION alerts you to the possibility of damage or destruction of equipment if you do not follow the corresponding instructions.


 **WARNING:** Failure to read, thoroughly understand, and follow all instructions can result in serious personal injury, damage to equipment, or voiding of factory warranty! It is the installer's responsibility to make sure all components are properly assembled and installed using the instructions provided.


 **WARNING:** Failure to provide adequate structural strength for this component can result in serious personal injury or damage to equipment! It is the installer's responsibility to make sure the structure to which this component is attached can support five times the combined weight of all equipment. Reinforce the structure as required before installing the component.

 **WARNING:** Exceeding the weight capacity can result in serious personal injury or damage to equipment! It is the installer's responsibility to make sure the combined weight of all components located between the supporting structure and the VCM does not exceed 250 lbs (113.4 kg).

- The weight capacity of the VCM may be LIMITED to the lowest weight capacity of any other component located between the VCM and the supporting structure!

 **WARNING:** Use this mounting system only for its intended use as described in these instructions. Do not use attachments not recommended by the manufacturer.

 **WARNING:** Never operate this mounting system if it is damaged. Return the mounting system to a service center for examination and repair.



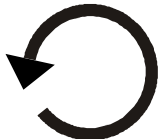


 **WARNING:** Do not use this product outdoors.

IMPORTANT ! : The VCM mount is designed to be mounted to:

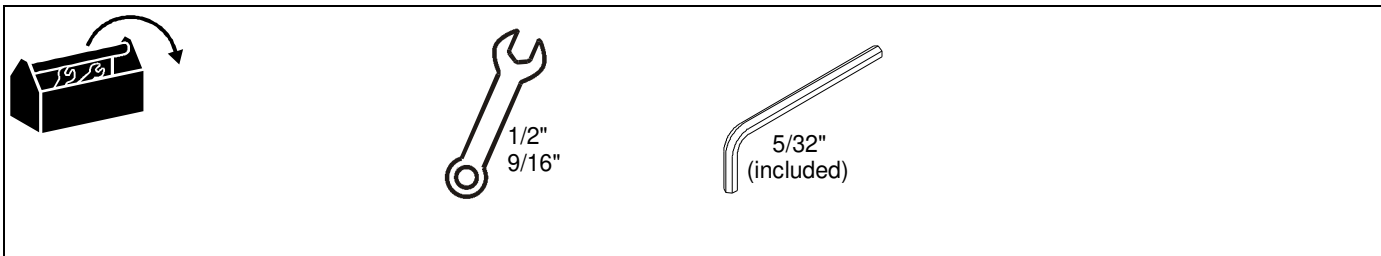
- a 1-1/2" NPT or NPSM following ANSI/ASME B1.20.1 (Schedule 40, 0.154" minimum thickness aluminum-ASTM B221) threaded extension column;
- a UL Listed Chief LPK-1 low profile mounting kit.

--SAVE THESE INSTRUCTIONS--

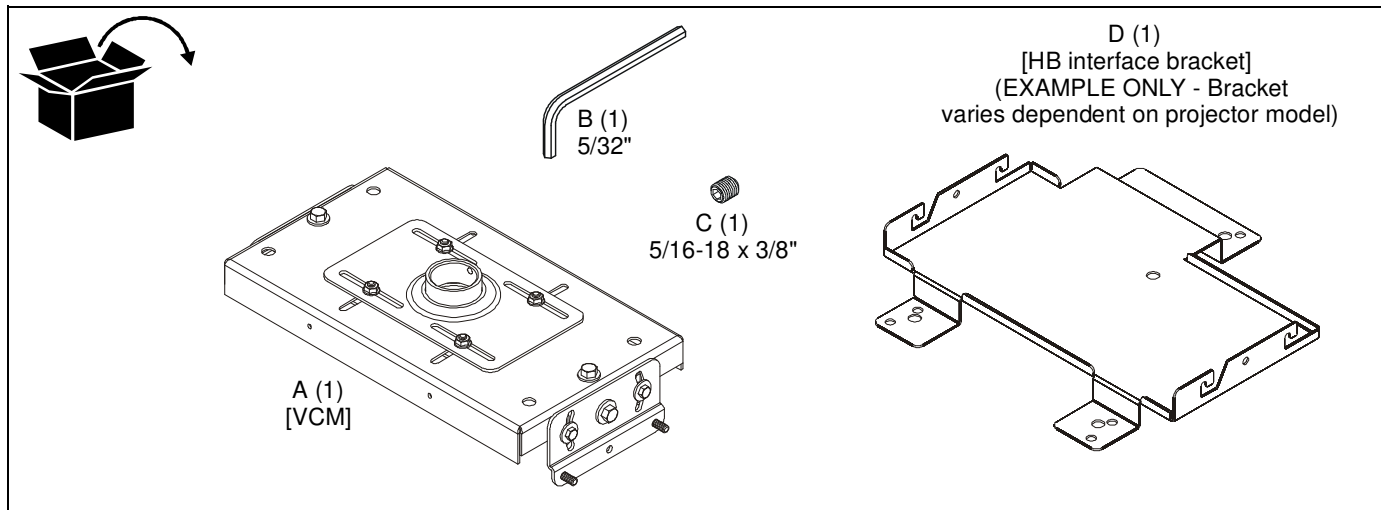
LEGEND

	Tighten Fastener		Adjust
	Apretar elemento de fijación		Ajustar
	Befestigungsteil festziehen		Einstellen
	Apertar fixador		Ajustar
	Serrare il fissaggio		Regolare
	Bevestiging vastdraaien		Afstellen
Serrez les fixations	Ajuster		
	Loosen Fastener		Open-Ended Wrench
	Aflojar elemento de fijación		Llave de boca
	Befestigungsteil lösen		Gabelschlüssel
	Desapertar fixador		Chave de bocas
	Allentare il fissaggio		Chiave a punta aperte
	Bevestiging losdraaien		Steeksleutel
Desserrez les fixations	Clé à fourche		
	Hex-Head Wrench		
	Llave de cabeza hexagonal		
	Sechskantschlüssel		
	Chave de cabeça sextavada		
	Chiave esagonale		
	Zeskantsleutel		
Clé à tête hexagonale			

TOOLS REQUIRED FOR INSTALLATION



PARTS



INSTALLATION

The VCM mount is designed to be mounted to:

- a 1-1/2" NPT or NPSM following ANSI/ASME B1.20.1 (Schedule 40, 0.154" minimum thickness aluminum-ASTM B221) threaded extension column; or
- a UL Listed Chief LPK-1 low profile mounting kit.

NOTE: Proceed to **Installing VCM Mount to NPT Extension Column** section or **Installing VCM Mount to LPK-1 Mount Kit** section, as appropriate.

Installing VCM Mount to NPT Extension Column

IMPORTANT ! : These installation instructions assume that a 1-1/2" NPT or NPSM (Schedule 40, 0.154" minimum thickness aluminum - ASTM B221) pipe (not included) has been properly installed and is in place.

1. Thread the VCM mount (A) onto the existing 1-1/2" NPT pipe until tight with a minimum of four threads engaged. ((Siehe Abb. 1))

NOTE: Ensure that long edge of VCM mount is located parallel to the screen. ((Siehe Abb. 1))

2. Tighten the 5/16-18 x 3/8" set screw (C) into the VCM mount threaded collar to prevent movement of the VCM. ((Siehe Abb. 1))

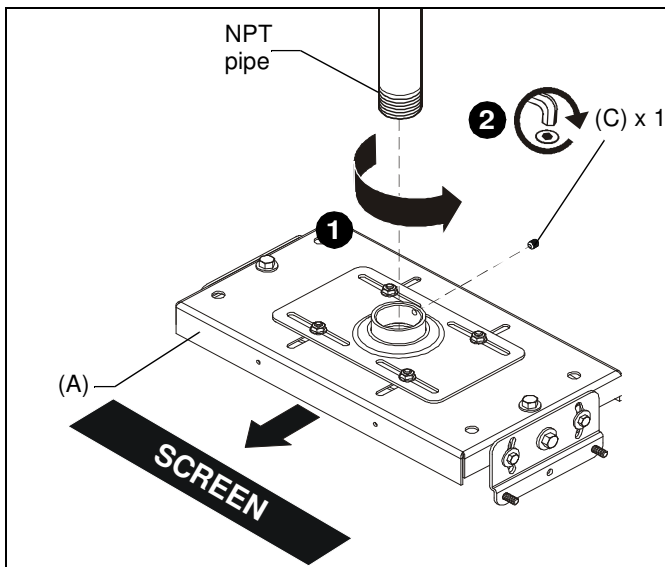


Figure 1

3. Proceed to **Projector Installation** section.

Installing VCM Mount to LPK-1 Mount Kit

1. Install VCM mount (A) to LPK-1 low profile mount kit (not included) following instructions included with LPK-1 mount kit.

INSTALLING PROJECTOR

IMPORTANT ! : Model VCM uses Chief "HB" Series interface brackets. (See **Parts** drawing.)

Install Interface Bracket



WARNING: IMPROPER INSTALLATION CAN LEAD TO PROJECTOR FALLING RESULTING IN SERIOUS PERSONAL INJURY OR DAMAGE TO EQUIPMENT. DO NOT substitute hardware. Use only the hardware provided by the manufacturer.

1. Secure interface bracket to VCM using installation instructions and hardware provided with interface bracket. ((Siehe Abb. 2))

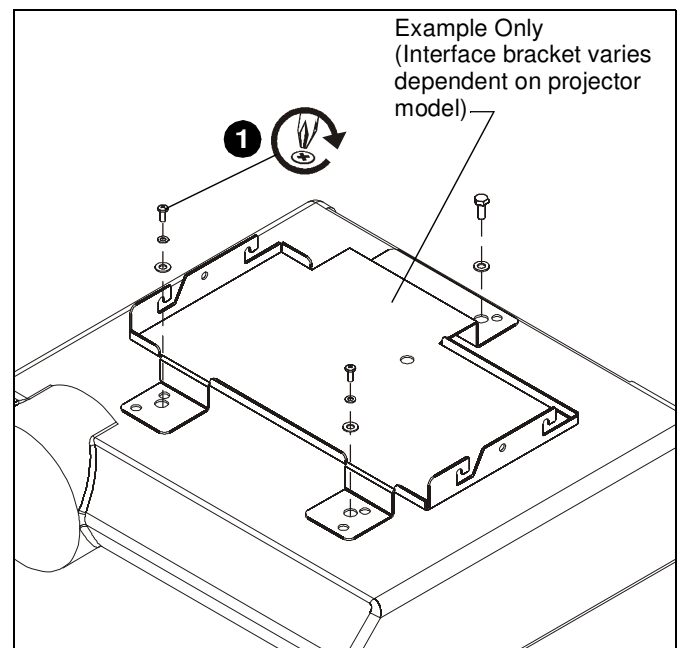


Figure 2

Install Projector with Attached Interface Bracket

1. Orient projector with attached interface bracket so that it is square to the screen. ((Siehe Abb. 3))
2. Lift the projector and install it to the four studs extending from the VCM housing. ((Siehe Abb. 3))



WARNING: IMPROPER INSTALLATION CAN LEAD TO PROJECTOR FALLING RESULTING IN SERIOUS PERSONAL INJURY OR DAMAGE TO EQUIPMENT! Ensure that the VCM housing is seated in slots on HB bracket!

3. Tighten the four 5/16" flange nuts. ((Siehe Abb. 3))

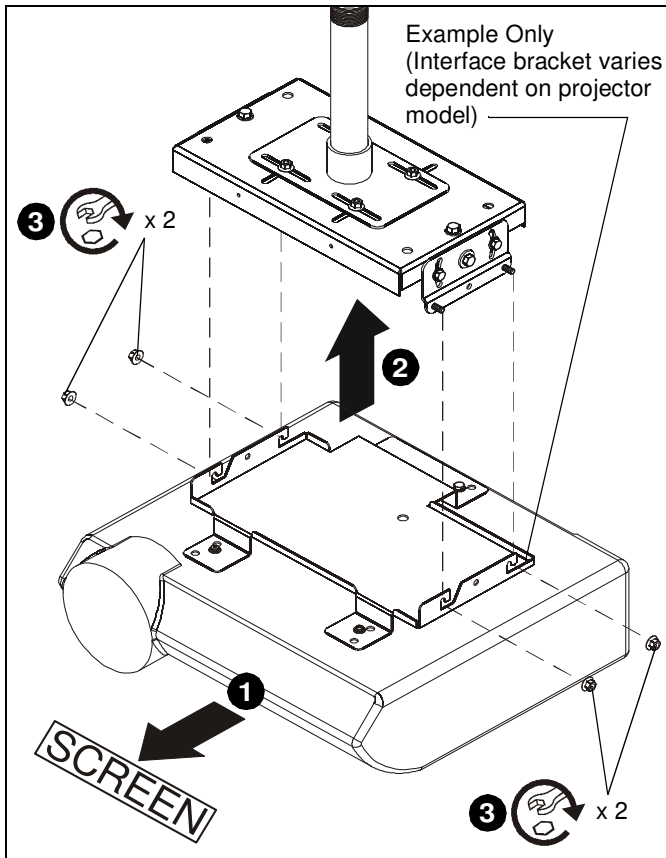


Figure 3

Adjustments



WARNING: MOUNTING HARDWARE IS TO BE LOOSENED ONLY ENOUGH TO ALLOW FOR NECESSARY MOVEMENT. Over-loosening or removal of mounting hardware may result in personal injury or serious damage to equipment!

Horizontal Adjustments ((Siehe Abb. 4))

1. Loosen, but do NOT remove, the four nuts holding the top slide bracket on the VCM mount.
2. Adjust VCM mount up to 1-1/2" in any direction.
3. Tighten the nuts loosened (in Step 1) on the top slide bracket.

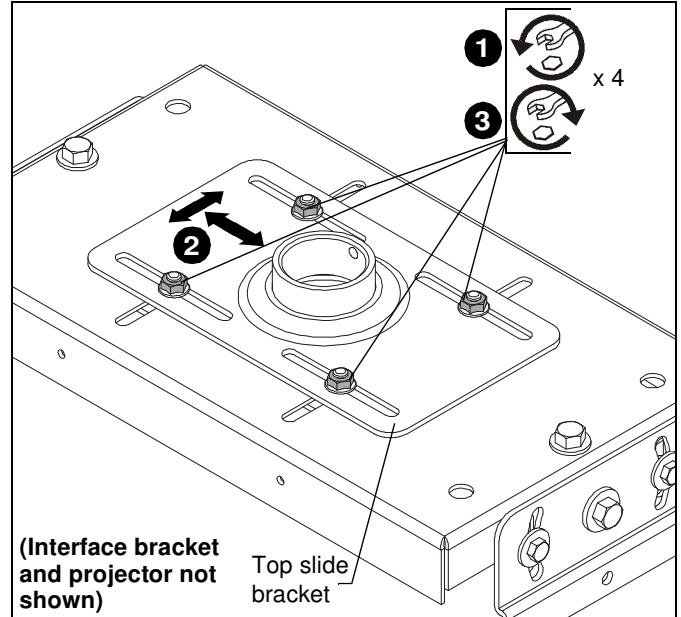


Figure 4

Roll (Horizontal Tilt) ((Siehe Abb. 5))

4. Loosen three bolts on each end of the VCM mount.
5. Turn adjustment bolts (one at each end of VCM mount top) as required.
 - Turn **CLOCKWISE** to raise
 - Turn **COUNTERCLOCKWISE** to lower
6. Securely tighten three bolts on each end of VCM mount.

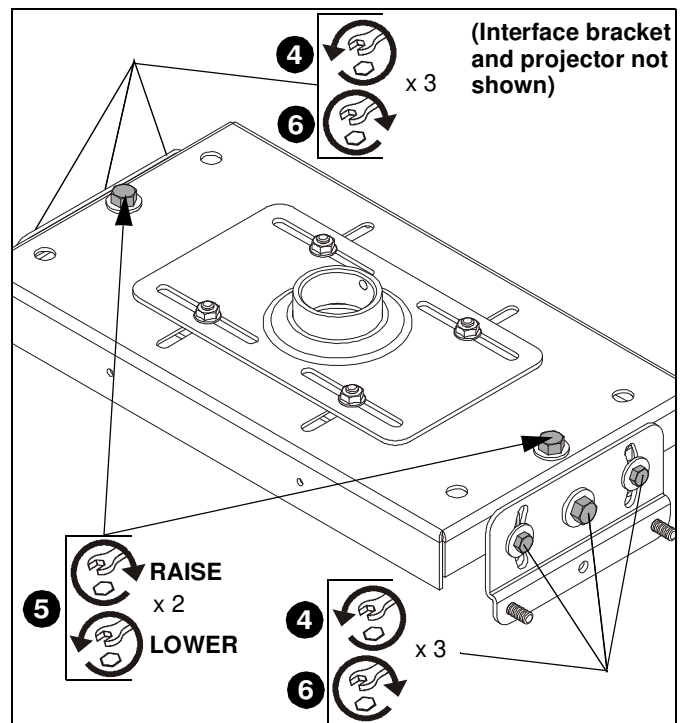
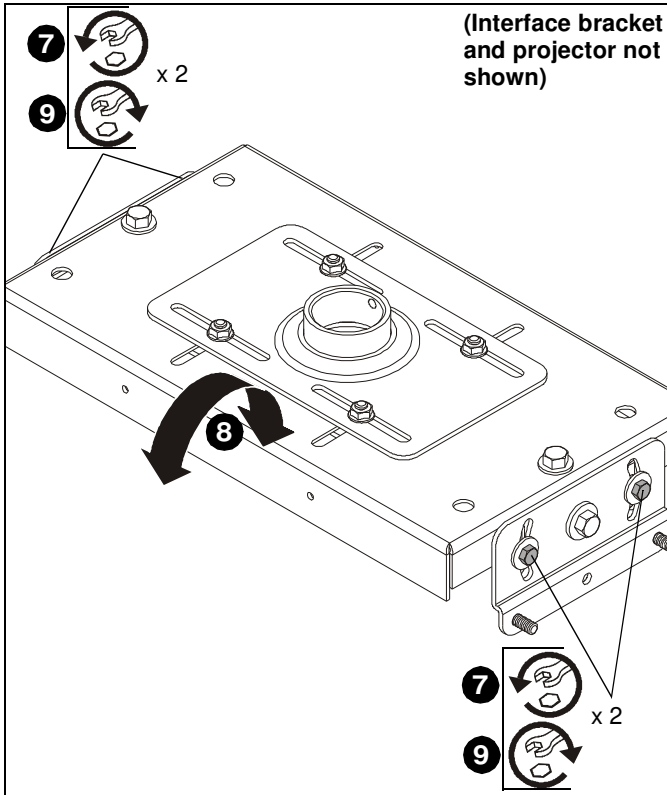


Figure 5

Pitch (Vertical Elevation) ((Siehe Abb. 6)

7. Loosen two outside bolts on each end of the VCM mount.
8. Tilt projector to desired direction.
9. Securely tighten two outside bolts on each end of VCM mount.

**Figure 6**



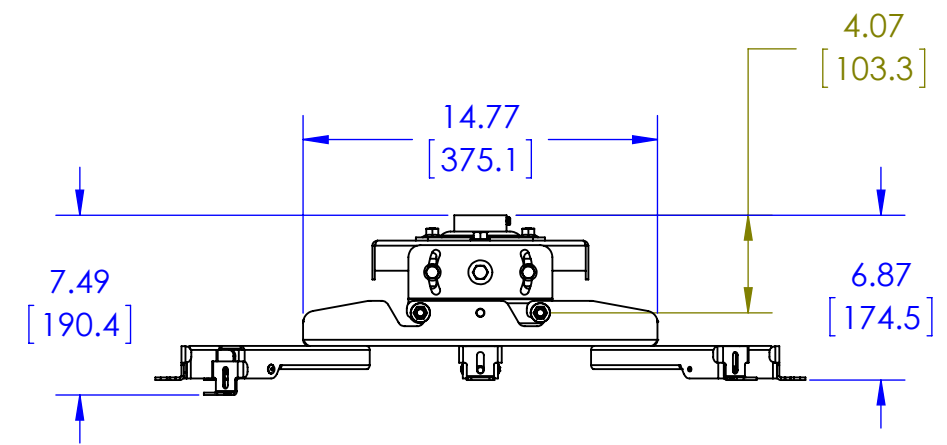
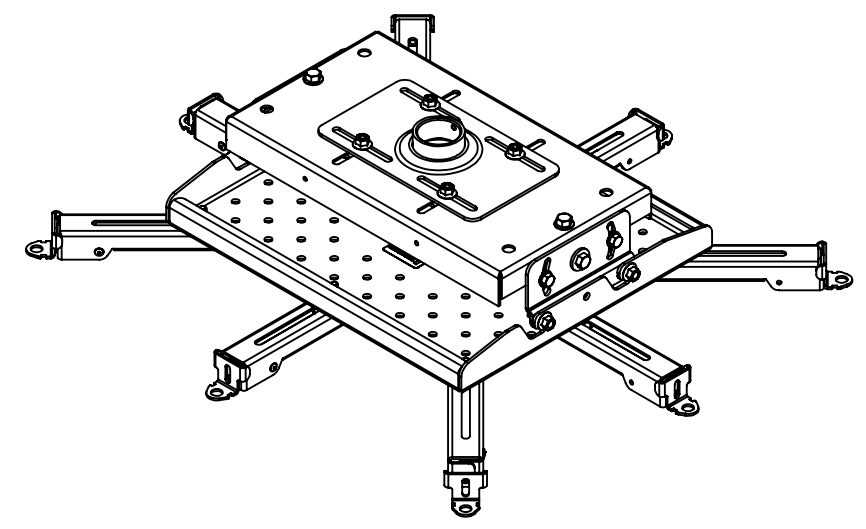
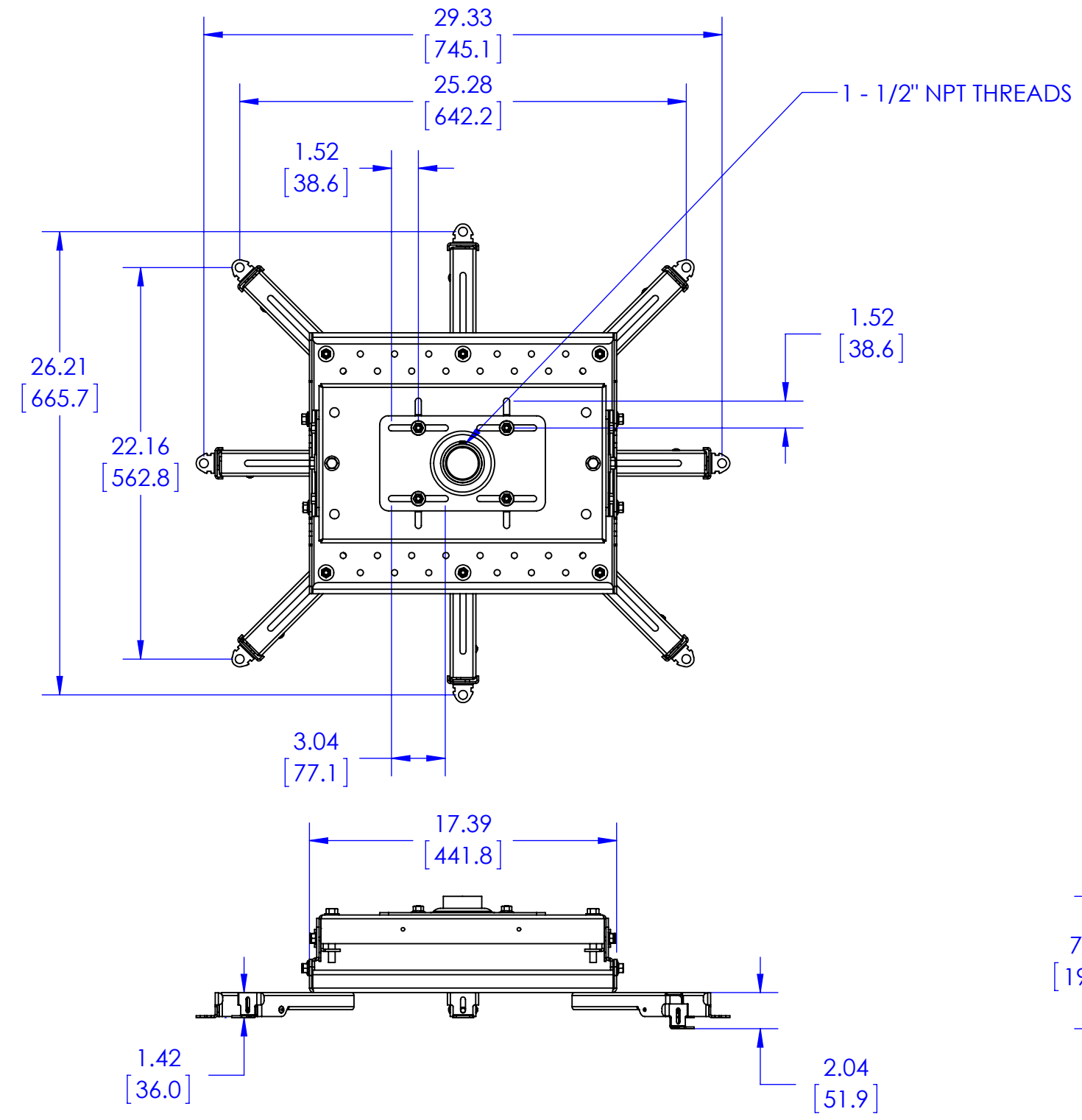
Our Mounts. **Your Vision.**

Chief Manufacturing, a products division
of Milestone AV Technologies

8800-002418 Rev00
©2013 Milestone AV Technologies, a
Duchossois Group Company
www.chiefmfg.com
05/13

USA/International	A 6436 City West Parkway, Eden Prairie, MN 55344
	P 800.582.6480 / 952.225.6000
	F 877.894.6918 / 952.894.6918
Europe	A Franklinstraat 14, 6003 DK Weert, Netherlands
	P +31 (0) 495 580 852
	F +31 (0) 495 580 845
Asia Pacific	A Office No. 1 on 12/F, Shatin Galleria 18-24 Shan Mei Street Fotan, Shatin, Hong Kong
	P 852 2145 4099
	F 852 2145 4477





THE INFORMATION AND DESIGNS CONTAINED IN THIS DRAWING ARE CONFIDENTIAL AND THE PROPRIETARY PROPERTY OF MILESTONE AV TECHNOLOGIES NEITHER THIS DESIGN NOR ANY INFORMATION CONTAINED IN THIS DRAWING MAY BE REPRODUCED OR DISCLOSED TO OTHERS WITHOUT THE EXPRESS WRITTEN CONSENT OF MILESTONE AV TECHNOLOGIES.

CAD GENERATED DRAWING, DO NOT MANUALLY UPDATE.		6436 CITY WEST PKWY EDEN PRAIRIE MN, 55344 PHONE: 866-977-3901 FAX: 877-894-6918
DRAWN BY	SEF 3/2/2012	
ENG APPROVAL		DESCRIPTION VCMU TECH DRAWING
MFG APPROVAL		MODEL NO. VCMU
QA APPROVAL		SCALE 1:8
SHEET 1 OF 1		SIZE B
		DWG. NO. TECH-000018
		REV. 00