



Overview of Cisco ISR 1100 and ISR 1100X Series Routers

Cisco ISR 1100 and ISR 1100X Series Integrated Services Routers deliver essential WAN, security, and multi-cloud capability of the Cisco SD-WAN solution. These routers provide highly secure site-to-site data connectivity to small business and home offices, remote offices, and branch offices. These routers are available in fixed form factors.

- [Comparison of Models, on page 1](#)
- [Cisco ISR1100-4G and Cisco ISR1100X-4G Routers, on page 2](#)
- [Cisco ISR1100-6G and Cisco ISR1100X-6G Routers, on page 4](#)
- [Cisco ISR1100-4GLTE Routers, on page 7](#)
- [Power Supply, on page 10](#)
- [LED Indicators on Cisco ISR1100-4G, Cisco ISR1100X-4G, Cisco ISR1100-6G, and Cisco ISR1100X-6G Routers, on page 11](#)
- [LED Indicators on Cisco ISR1100-4GLTE Routers, on page 13](#)
- [Wireless Specifications for the Cisco ISR1100-4GLTE Platform, on page 15](#)

Comparison of Models

The following table provides a comparison of select features among Cisco ISR 1100 and ISR 1100X Series models.

| Model | CPU | Memory | GE SFP Ports | Micro SIM | LTE Debug Micro-USB |
|-------------|-------------------------|--------|--------------|-----------|---------------------|
| ISR1100-4G | Intel 2.2 GHz 4-core | 4 GB | 0 | 0 | 0 |
| ISR1100X-4G | Intel 2.2 GHz 4-core | 8 GB | 0 | 0 | 0 |
| ISR1100-6G | Intel 2.2 GHz 4-core | 4 GB | 2 | 0 | 0 |

| Model | CPU | Memory | GE SFP Ports | Micro SIM | LTE Debug Micro-USB |
|---------------|-------------------------|--------|--------------|-----------|---------------------|
| ISR1100X-6G | Intel 2.2 GHz 4-core | 8 GB | 2 | 0 | 0 |
| ISR1100-4GLTE | Intel 2.2 GHz 4-core | 4 GB | 0 | 1 | 1 |

Cisco ISR1100-4G and Cisco ISR1100X-4G Routers

This topic describes the chassis and provides technical specifications for the following:

- Cisco ISR1100-4G router
- Cisco ISR1100X-4G router

Chassis Views

The figures below show the front, side, and back panels of the Cisco ISR1100-4G router. The corresponding panels of the Cisco ISR1100X-4G router are comparable to these.

Figure 1: Front Panel

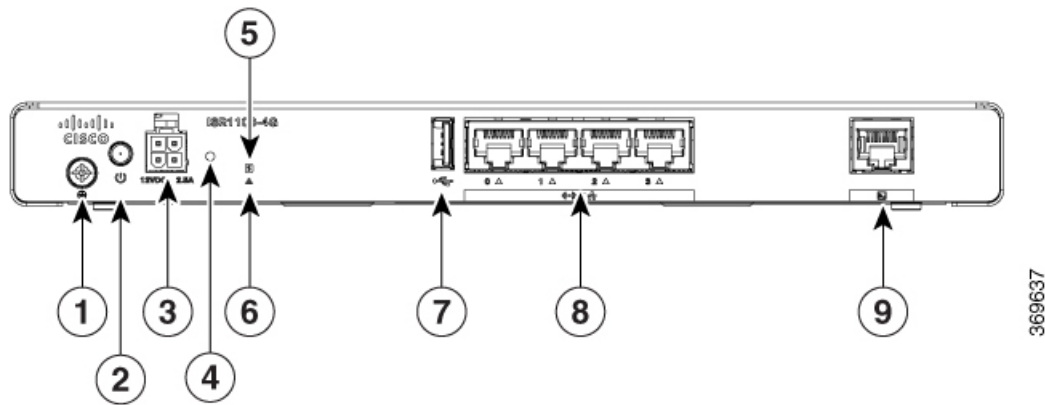
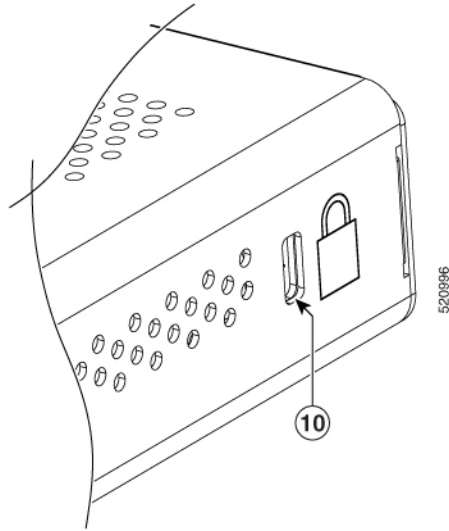


Figure 2: Side Panel



| | |
|----|----------------------|
| 1 | Ground Screw |
| 2 | Power Button |
| 3 | 12 VDC Input |
| 4 | Reset Button |
| 5 | System LED |
| 6 | Status LED |
| 7 | Type A USB port |
| 8 | RJ-45 Ethernet Ports |
| 9 | RJ-45 Console Port |
| 10 | Kensington Lock Slot |

Figure 3: Back Panel



Chassis Specifications

| Item | Specification |
|---------------------------|----------------------|
| Services and Slot Density | Intel 2.2 GHz 4-core |
| CPU | |

| Item | Specification |
|--|---|
| RJ45 Console | 1 Note The console port only supports a baud rate of 115,200. |
| USB Type A | USB 3.0, 4.5 W Maximum |
| Bulk Flash | 8 GB eMMC pSLC (5.8 GB usable) |
| Serial Flash | Dual 16MB |
| Memory DDR4 ECC DRAM | Cisco ISR1100-4G: 4 GB Cisco ISR1100X-4G: 8 GB |
| GE WAN Ports | 4 |
| Physical Specifications | |
| Form Factor | 10.2 in x 7 in x 1.1 in |
| Operating Conditions | |
| Temperature | Fanless design 0 to 40°C (32 to 104°F) at sea level (temperature de-rating of 1.5 deg C per 1000 feet of altitude applicable up to max of 10,000 feet or 3000 m) |
| Altitude | Max 3000 m (10000 ft) |
| Humidity | 10 to 85% RH non-condensing |
| Transportation/Storage Conditions | |
| Temperature | -40 to 70°C (-40 to 158°F) |
| Humidity | 5 to 95% RH non-condensing |
| Altitude | 4570 m (15,000 ft) |
| Reliability | |
| MTBF | Approximately 1.6 million hours (about 183 years) at 25°C ambient |

Regulatory Compliance: For information on regulatory compliance (EMC, safety, and environment), see [ISR1100-4G/6G Data Sheet](#).

Cisco ISR1100-6G and Cisco ISR1100X-6G Routers

This topic describes the chassis and provides technical specifications for the following:

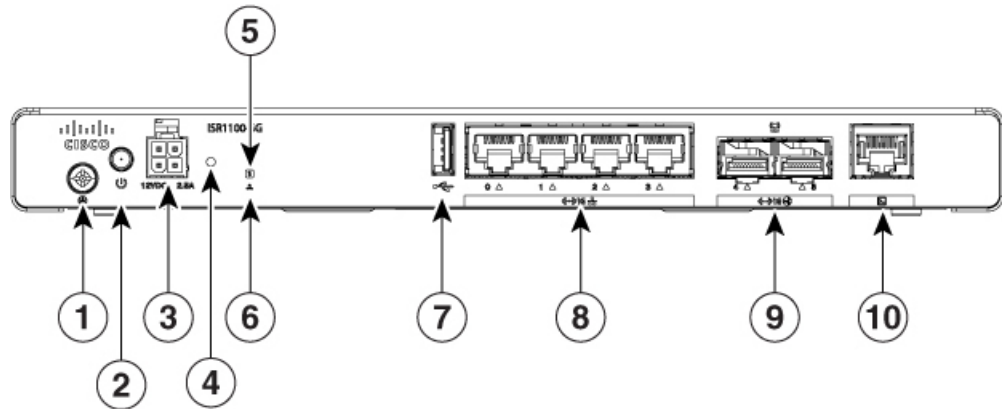
- Cisco ISR1100-6G

- Cisco ISR1100X-6G

Chassis Views

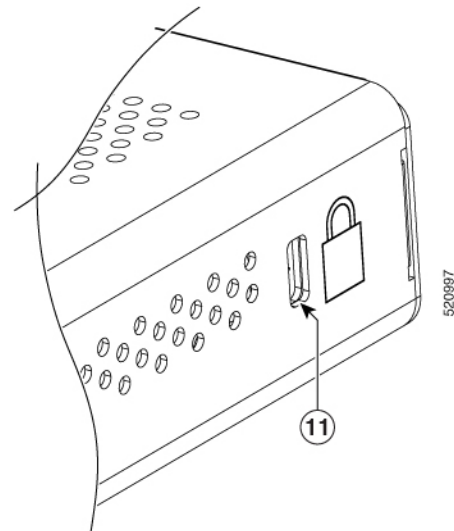
The figures below show the front, side, and back panels of the Cisco ISR1100-6G router. The corresponding panels of the Cisco ISR1100X-6G router are comparable to these.

Figure 4: Front Panel



369638

Figure 5: Side Panel



520987

| | |
|---|--------------|
| 1 | Ground Screw |
| 2 | Power Button |
| 3 | 12 VDC Input |
| 4 | Reset Button |
| 5 | System LED |
| 6 | Status LED |

| | |
|----|----------------------|
| 7 | Type A USB port |
| 8 | RJ-45 Ethernet Ports |
| 9 | SFP Ethernet ports |
| 10 | RJ-45 Console Port |
| 11 | Kensington Lock Slot |

Figure 6: Back Panel



Chassis Specifications

| Item | Specification |
|----------------------------------|--|
| Services and Slot Density | |
| CPU | Intel 2.2 GHz 4-core |
| RJ45 Console | 1 Note The console port only supports a baud rate of 115,200. |
| USB Type A | USB 3.0, 4.5 W Maximum. |
| Bulk Flash | <ul style="list-style-type: none"> • Cisco ISR1100-6G: 8GB eMMC pSLC (5.8 GB usable) • Cisco ISR1100X-6G : 16GB eMMC pSLC (13.1 GB usable) |
| Serial Flash | Dual 16 MB |
| Memory DDR4 ECC DRAM | Cisco ISR1100-6G: 4 GB Cisco ISR1100X-6G : 8 GB |
| GE WAN Ports | 4 |
| GE SFP Ports | 2 |
| Physical Specifications | |
| Form Factor | 10.2 in x 7 in x 1.1 in |
| Operating Conditions | |

| Item | Specification |
|--|---|
| Temperature | Fanless design 0 to 40°C (32 to 104°F) at sea level (temperature de-rating of 1.5 deg C per 1000 feet of altitude applicable up to max of 10,000 feet or 3000 m) |
| Altitude | Maximum 3000 m (10000 ft) |
| Humidity | 10 to 85% RH non-condensing |
| Transportation/Storage Conditions | |
| Temperature | -40 to 70°C (-40 to 158°F) |
| Humidity | 5 to 95% RH non-condensing |
| Altitude | 4570 m (15000 ft) |
| Reliability | |
| MTBF | Approximately 1.6 million hours (about 183 years) at 25°C ambient |

Regulatory Compliance: For information on regulatory compliance (EMC, safety, and environment), see [ISR1100-4G/6G Data Sheet](#).

Cisco ISR1100-4GLTE Routers

This topic describes the chassis and technical specifications of the Cisco ISR1100-4GLTE routers.

Cisco ISR1100-4GLTE Variants

Cisco ISR1100-4GLTE routers are available in these variants:

- Cisco ISR1100-4GLTENA
- Cisco ISR1100-4GLTEGB

These routers come with built-in, Category-4 modems. There is no difference in the hardware specifications of Cisco ISR1100-4GLTENA and Cisco ISR1100-4GLTEGB. The difference is only in terms of the LTE bands supported. See [Wireless Specifications for the Cisco ISR1100-4GLTE Platform](#) for more details.

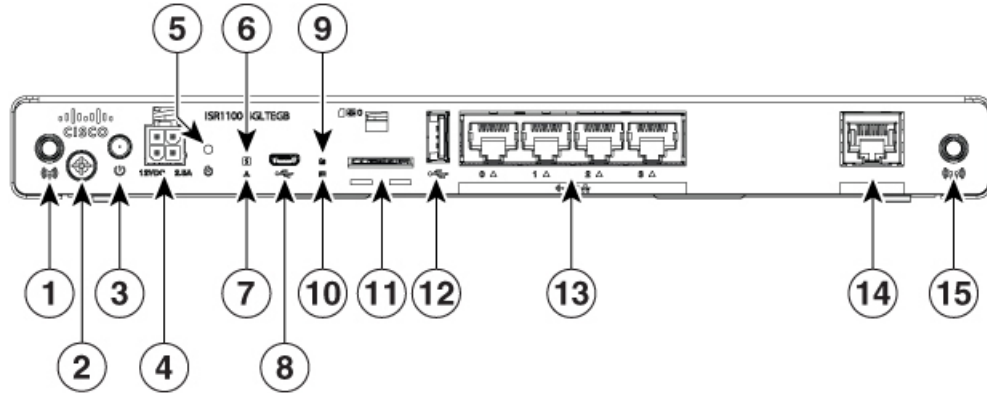
Cisco ISR1100-4GLTE Chassis

The following figures show the front, side, and back panels of the Cisco ISR1100-4GLTE routers.



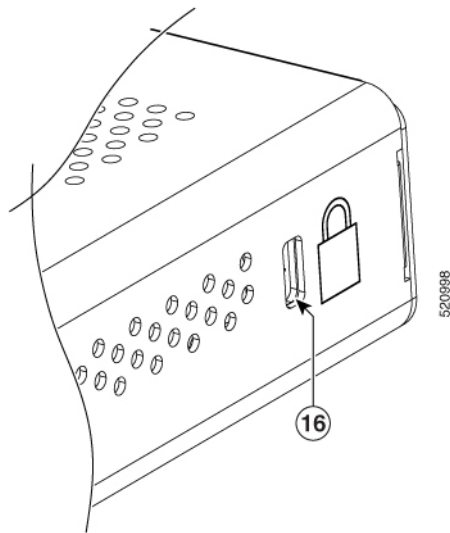
Note For the purpose of illustration, the figure shows the chassis of Cisco ISR1100-4GLTEGB

Figure 7: Front Panel (SIM Cover Removed to Show SIM Slot)



366977

Figure 8: Side Panel



520988

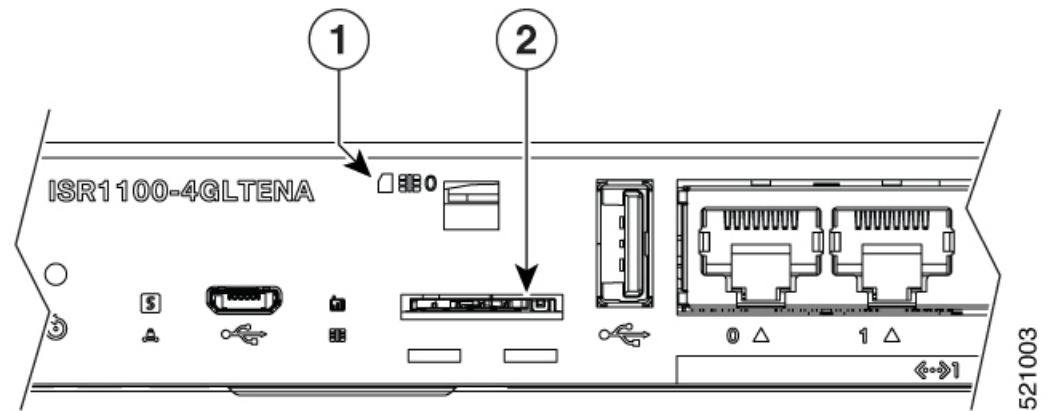
| | |
|----|---|
| 1 | Main Antenna |
| 2 | Ground Screw |
| 3 | Power Button |
| 4 | 12 VDC Input |
| 5 | Reset Button |
| 6 | System LED |
| 7 | Status LED |
| 8 | Micro USB |
| 9 | Received signal Strength Indicator (RSSI) LED |
| 10 | SIM LED |

| | |
|----|----------------------|
| 11 | SIM Slot |
| 12 | USB Port |
| 13 | RJ-45 Ethernet Ports |
| 14 | RJ-45 Console |
| 15 | Antenna (Diversity) |
| 16 | Kensington Lock Slot |

Figure 9: Back Panel



Figure 10: SIM Slot (SIM Cover Removed)



| | |
|---|--------------------------------|
| 1 | Indicates SIM Card Orientation |
| 2 | SIM Slot |

Chassis Specifications

| Item | Specification |
|----------------------------------|---|
| Services and Slot Density | |
| RJ45 Console | 1 Note The console port only supports a baud rate of 115,200. |
| Ethernet RJ45 Ports | 4 |
| USB Type A | USB 3.0, 4.5 W Maximum |

| Item | Specification |
|--|---|
| Bulk Flash | 8 GB eMMC pSLC Note Usable memory is 5.8 GB only. |
| Serial Flash | Dual 16MB |
| Memory DDR4 ECC DRAM | 4 GB |
| GE WAN Ports | 4 |
| Micro-SIM Socket | 1 |
| LTE Debug Port | 1 (Micro USB Connector) |
| Physical Specifications | |
| Form Factor | 10.2 in x 7 in x 1.1 in |
| Operating Conditions | |
| Temperature | Fanless design 0 to 40°C (32 to 104°F) at sea level (temperature de-rating of 1.5 deg C per 1000 feet of altitude applicable up to max of 10,000 feet or 3000 m) |
| Altitude | Max 3000 m (10000 ft) |
| Humidity | 10 to 85% RH non-condensing |
| Transportation/Storage Conditions | |
| Temperature | -40 to 70°C (-40 to 158°F) |
| Humidity | 5 to 95% RH non-condensing |
| Altitude | 4570 m (15,000 ft) |
| Reliability | |
| MTBF | Approximately 1.6 million hours (about 183 years) at 25°C ambient |

Regulatory Compliance: For information on regulatory compliance (EMC, safety, and environment), see [ISR1100-4G/6G Data Sheet](#).

Power Supply

The following models use the same external Power Supply Unit (PSU):

- Cisco ISR1100-4G
- Cisco ISR1100X-4G

- Cisco ISR1100-6G
- Cisco ISR1100X-6G
- Cisco ISR1100-4GLTE

The external power supply specifications are as follows.

Table 1: External Power Supply Unit Specifications

| | |
|-------------------------|---------------------|
| AC input voltage | 100-240 VAC nominal |
| AC input line frequency | 50-60 Hz |
| Maximum Output Power | 30 Watts |
| Output Voltage | 12 VDC |
| P/N | PWR-30W-I-AC |

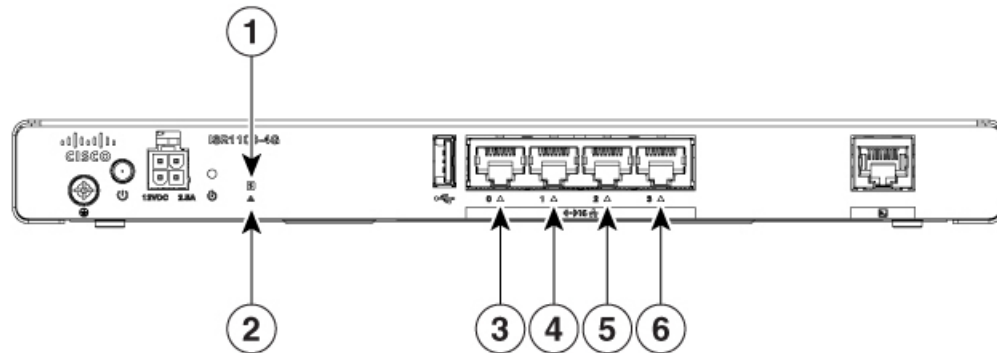


Note Do not hang the Power Supply Unit (PSU) from the power socket. Place it on a surface.

LED Indicators on Cisco ISR1100-4G, Cisco ISR1100X-4G, Cisco ISR1100-6G, and Cisco ISR1100X-6G Routers

LED Indicators on Cisco ISR1100-4G and Cisco ISR1100X-4G

Figure 11: Front Panel LED Indicators



369682

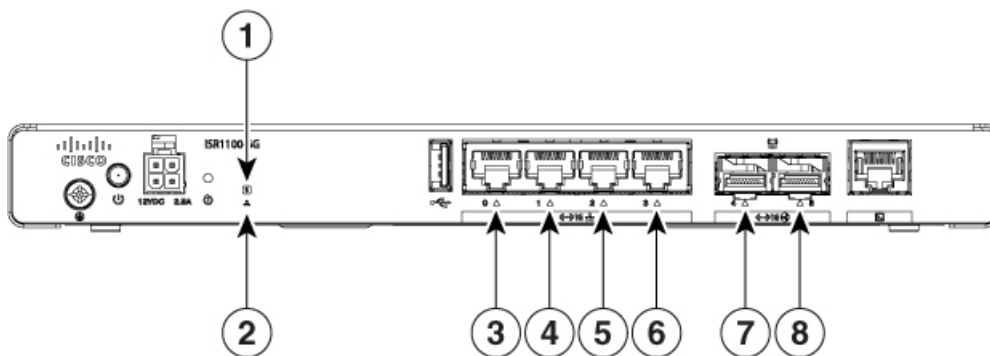
| | |
|------------|-------------------------|
| 1 | SYS LED |
| 2 | STATUS LED |
| 3, 4, 5, 6 | RJ-45 Ethernet Port LED |

Table 2: LED Indicator Behavior

| Port | LED Color | Description |
|--------------------------------|------------------|--|
| SYS | OFF | System is off |
| | Amber (blinking) | Boot up phase |
| | Green steady on | Normal operation |
| | Amber (steady) | System going down/fault |
| STATUS | Green | OMP connection is up |
| | OFF | System is down or OMP connection is down |
| RJ-45 Ethernet Port LEDs (0-3) | Green solid | Link is established |
| | Green (blinking) | Data transmission is in progress |
| | OFF | Link is not connected or is down |

LED Indicators on Cisco ISR1100-6G, Cisco ISR1100X-6G

Figure 12: Front Panel LED Indicators



369683

| | |
|------------|-------------------------|
| 1 | SYS LED |
| 2 | STATUS LED |
| 3, 4, 5, 6 | RJ-45 Ethernet Port LED |
| 7, 8 | SFP Ethernet Port LED |

Table 3: LED Indicator Behavior

| Port | LED Color | Description |
|--------------------------------|------------------|---|
| SYS | OFF | System is off |
| | Amber (blinking) | Boot up phase |
| | Green steady on | Normal operation |
| | Amber (steady) | System going down/fault |
| STATUS | Green | OMP connection is up |
| | OFF | System is down or OMP connection is down |
| RJ-45 Ethernet Port LEDs (0-3) | Green (solid) | Link is established |
| | Green (blinking) | Data transmission in progress on the link |
| | OFF | Link is not connected or is down |
| SFP Ethernet Port LEDs (4-5) | Green (solid) | Link is established |
| | Green (blinking) | Data transmission in progress on the link |
| | OFF | Link is not connected or is down |

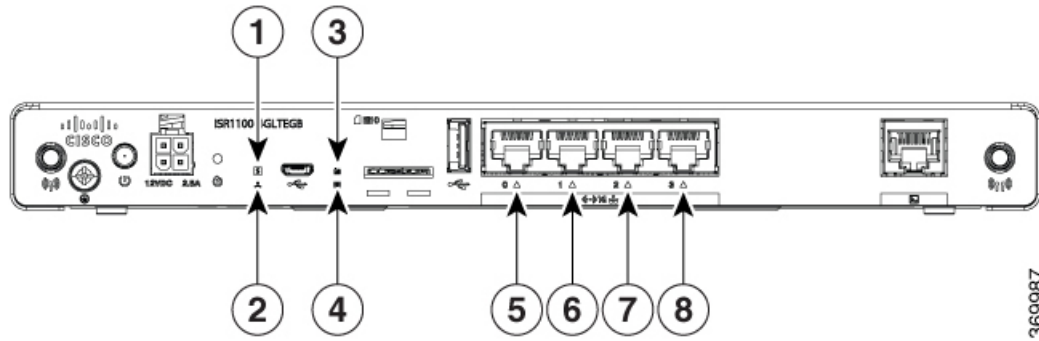
LED Indicators on Cisco ISR1100-4GLTE Routers

The following figure and table describe the LED indicators on the front panel of the Cisco ISR1100-4GLTE routers.



Note The figure shows a Cisco ISR1100-4GLTEGB router.

Figure 13: Front Panel LED Indicators on Cisco ISR1100-4GLTE Routers



| | |
|------------|--------------------------|
| 1 | System LED |
| 2 | Status LED |
| 3 | RSSI LED |
| 4 | SIM LED |
| 5, 6, 7, 8 | RJ-45 Ethernet Port LEDs |

The following table applies to both Cisco ISR1100-4GLTENA and Cisco ISR1100-4GLTEGB routers.

Table 4: LED Indicator Behavior

| Port | LED Color | Description |
|----------|-------------------------|--|
| SYS | OFF | System is off |
| | Amber (blinking) | Boot up phase |
| | Green steady on | Normal operation |
| | Amber (steady) | System going down/fault |
| STATUS | Green | OMP connection is up |
| | OFF | System is down or OMP connection is down |
| RSSI LED | OFF | LTE interface is shut |
| | Green (steady) | LTE is enabled, excellent signal |
| | Green/Orange (blinking) | LTE is enabled, good signal |
| | Orange (steady) | LTE is enabled, poor signal |
| | Orange (blinking) | LTE is enabled, but there is some error (no connectivity with BTS or lack of signal) |

| Port | LED Color | Description |
|--------------------------------|-----------------------|---|
| SIM LED | OFF | No SIM or SIM is offline |
| | On 1sec, Off 1sec | Low power mode |
| | On 200 ms, Off 5 sec | No service |
| | On (steady) | In service |
| | On 5 sec, Off 200 ms | Roaming |
| | On 400 ms, Off 100 ms | Data Active |
| RJ-45 Ethernet Port LEDs (0-3) | Green (solid) | Link is established |
| | Green (blinking) | Data transmission in progress on the link |
| | OFF | Link is not connected or is down |

Wireless Specifications for the Cisco ISR1100-4GLTE Platform

This table lists wireless specifications for Cisco ISR1100-4GLTENA and Cisco ISR1100-4GLTEGB routers.

Table 5: Wireless Specifications for Cisco ISR1100-4GLTE Routers

| Features | Cisco ISR1100-4GLTENA | Cisco ISR1100-4GLTEGB |
|--------------|--|--|
| Region | North America | Global |
| 4G LTE Bands | <ul style="list-style-type: none"> • Band 2 (1900 MHz) • Band 4 (1700 MHz) • Band 5 (850 MHz) • Bands 12, 13, 14, 17 (700 MHz) • Band 66 (1700 MHz) | <ul style="list-style-type: none"> • Band 1 (2100 (MHz) • Band 3 (1800 MHz) • Band 7 (2600 MHz) • Band 8 (900 MHz) • Band 20 (800 MHz) • Band 28 (700 MHz) |

