



Installation & Operation

180UC-3

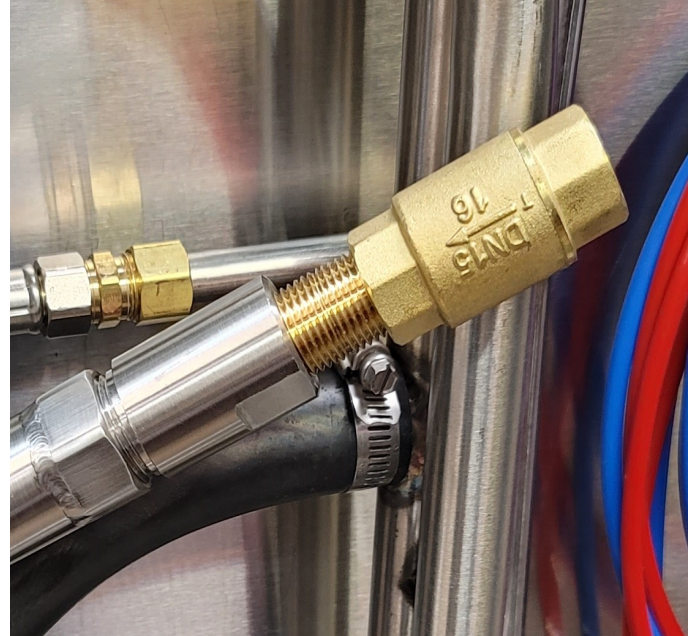
Drain Water Tempering Kit
PN13475.06 Factory Installed

Drain Water Tempering Kit - Factory Installation Instructions

1. Machine ships with wye fitting and CMA Drain Water Tempering valve installed.
2. Remove black plug.



1. DWT with black plug installed



2. Remove black plug

3. Connect cold water line to the in-line check valve. Installer responsible for water connection. Cold water connections not supplied by CMA Dishmachines.
4. Turn on cold water and check for leaks.



Installation & Operation

180UC-3

Drain Water Tempering Kit

PN13476.06 Field Installed

Drain Water Tempering Kit - Field Installation Instructions

1. Installer must attach the Drain Water Tempering kit to the end of the dishmachine drain line as shown below.

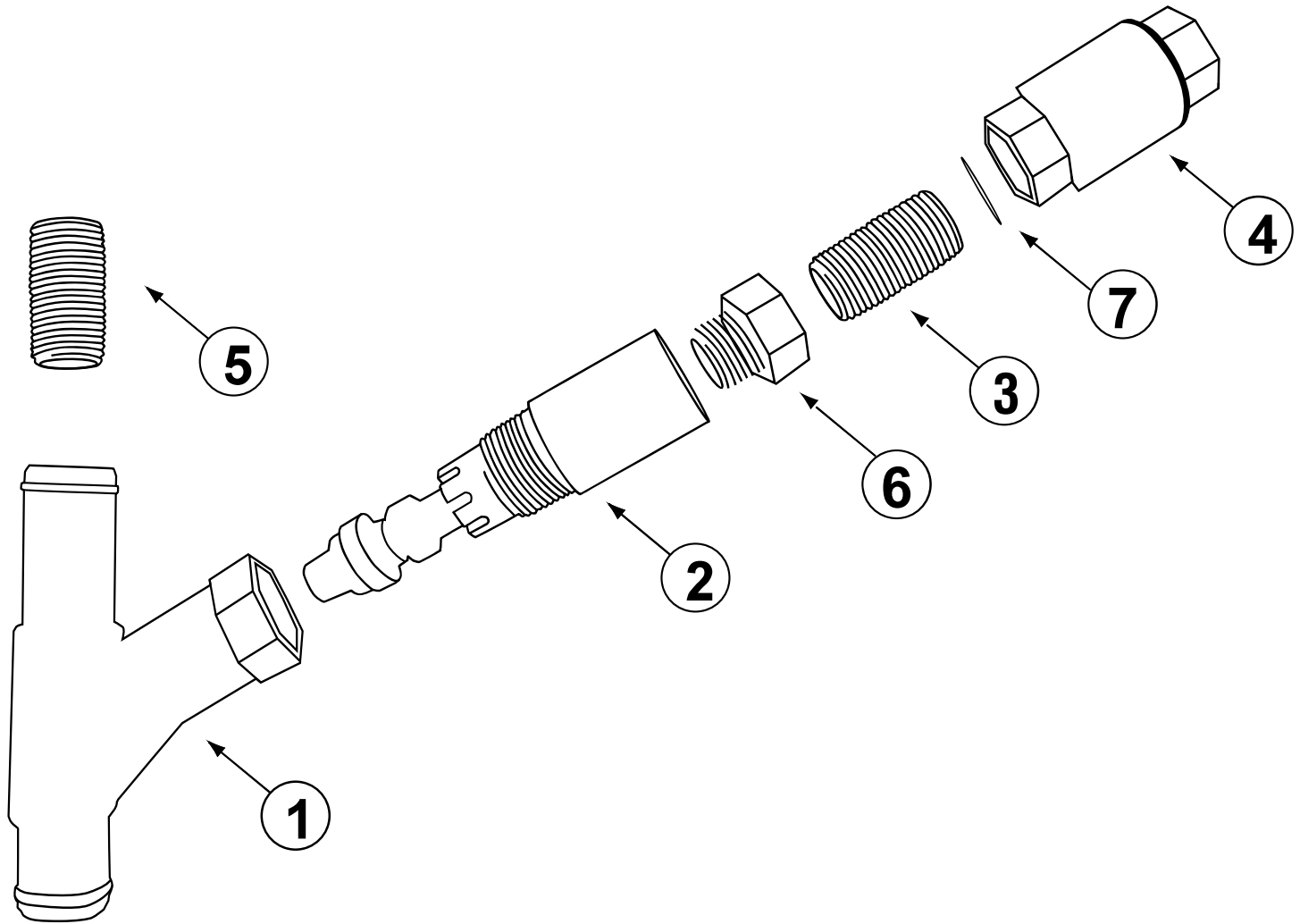


2. Remove black plug and attach cold water line. Drain Water Tempering assembly must be no higher than 12" from the floor.



Parts Manual

Drain Water Tempering Valve Assembly (Effective 03-2023)
PN13475.06 Factory Installed Kit
PN13476.06 Field Installed Kit



ITEM NO.	NO. REQ'D	P/N	DESCRIPTION
1	1	13470.86	DTV "Y" fitting
2	1	13470.85	Drain Water Tempering Valve
3	1	03604.60	Nipple Brass 1/2 x 1 1/2 w/ Flow Disc
4	1	00715.00	1/2 Ball Check Valve
5	1	00780.00	Nipple Brass 1/2 X 2 1/2
6	1	13470.84	Drain Water Tempering Valve Strainer
7	1		Flow Disc, INCL w/ 03604.60

PN13470.90 Includes Items 2, 3, 4, 6 & 7