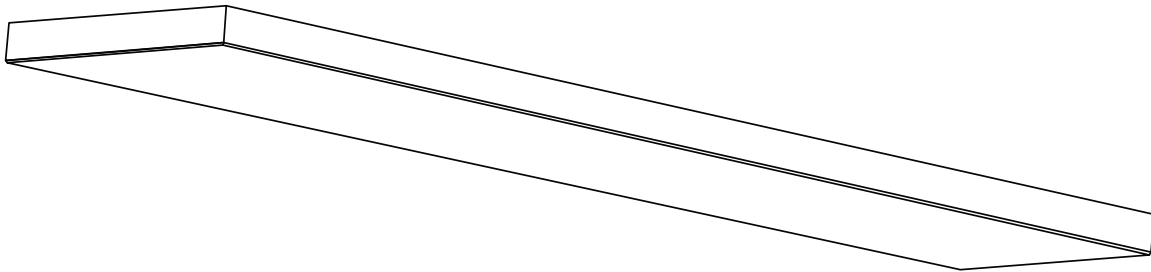


USE AND CARE GUIDE

1X4 TRIMLESS LED FLAT PANEL FIXTURE



Questions, problems, missing parts? Before returning to the store,
call Commercial Electric Customer Service
8 a.m. - 7 p.m., EST, Monday - Friday,
9 a.m. - 6 p.m., EST, Saturday

1-877-527-0313
HOMEDEPOT.COM

THANK YOU

We appreciate the trust and confidence you have placed in Commercial Electric through the purchase of this product. We strive to continually create quality products designed to enhance your home. Visit us online to see our full inventory of products available for your home improvement needs. Thank you for choosing Commercial Electric!

Table of Contents

- Safety Information 2
- FCC Statement 2
- Warranty 2
- Pre-Installation 3
 - Tool Required 3
 - Hardware Included 3
- Installation 4-5
- Color Settings 6
- Care and Cleaning 6

Safety Information

For your safety, always remember to:

- Turn off the power supply at the fuse or circuit breaker box before you install the fixture.
- Ground the fixture to avoid potential electric shock and to ensure a reliable start.
- Double-check all connections to be sure they are tight and correct.
- Wear rubber soled shoes and work on a sturdy wooden ladder.
- Account for small parts and destroy packing material, as these may be hazardous to children.

This fixture is designed for use in a circuit protected by a fuse or circuit breaker. It is also designed to be installed in accordance with local electrical codes. If you are unsure about your wiring, consult a qualified electrician or local electrical inspector, and check your local electrical code.

MIN 90°C SUPPLY CONDUCTORS

Supplier's Declaration of Conformity:
47 CFR § 2.1077 Compliance Information

Responsible Party:
Feit Electric Company
4901 Gregg Road,
Pico Rivera, CA 90660, USA


Unique Identifier:
FPT1X46WYBKHD

FCC STATEMENT: This device complies with part 15 of the FCC Rules. Operation is subject to the following two conditions: (1) This device may not cause harmful interference, and (2) this device must accept any interference received, including interference that may cause undesired operation. Note: This equipment has been tested and found to comply with the limits for a Class B digital device, pursuant to part 15 of the FCC Rules. These limits are designed to provide reasonable protection against harmful interference in a residential installation. This equipment generates, uses and can radiate radio frequency energy and, if not installed and used in accordance with the instructions, may cause harmful interference to radio communications. However, there is no guarantee that interference will not occur in a particular installation. If this equipment does cause harmful interference to radio or television reception, which can be determined by turning the equipment off and on, the user is encouraged to try to correct the interference by one or more of the following measures: Reorient or relocate the receiving antenna. Increase the separation between the equipment and receiver. Connect the equipment into an outlet on a circuit different from that to which the receiver is connected. Consult the dealer or an experienced radio/TV technician for help. Any changes or modifications not expressly approved by the manufacturer could void the user's authority to operate the equipment.

Product Specifications:

- 120VAC, 60Hz, 50W
- Wall Dimmable
- Suitable for Damp Location

 **WARNING: RISK OF SHOCK.** House electric current can cause painful shock or serious injury unless handled properly.

 **CAUTION:** Turn off the main power at the circuit breaker before installing the fixture, in order to prevent possible shock.

 **CAUTION: RISK OF FIRE.** Before installing your lighting fixture, thoroughly review this installation manual. If you do not have sufficient electrical wiring experience have your fixture installed by a certified electrician. All electrical connections must be in accordance with Local and National Electrical Code (N.E.C) Standards. Reliable operating temperature is -13°F to 113°F / -25°C to 45°C. For more information including dimmer compatibility visit www.feit.com.

NOTICE: All electrical connections must be in accordance with local and National Electrical Code (N.E.C.) standards. If you are unfamiliar with proper electrical wiring connections obtain the services of a qualified electrician. Remove the fixture and the mounting package from the box and make sure that no parts are missing by referencing the illustrations on the installation instructions.

Limited Warranty

This product is warranted to be free from defects in workmanship and materials for up to 5 years from date of purchase. If it fails to do so, please contact the Customer Service Team at 1-877-527-0313 or visit www.homedepot.com.

Pre-Installation

TOOLS REQUIRED (NOT INCLUDED)



Phillips screwdriver



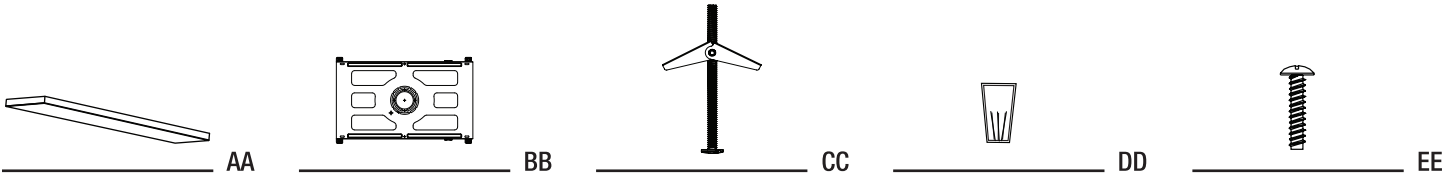
Power drill



1/2 in. Drill Bit

 **NOTE:** Hardware not shown to actual size.

HARDWARE INCLUDED



Part	Description	Quantity
AA	1x4 Fixture	1
BB	Mounting Plate	1
CC	3/16 in. Toggle Bolts	4
DD	Wire Nuts	3
EE	Junction Box Mounting Screws	2

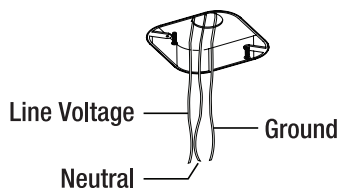
Installation

1 Turning Off the Power

- Turn the Power OFF at the switch and fusebox or the circuit breaker.

2 Identifying the Wires

Black - Line Voltage
White - Neutral
Green or Bare Copper - Ground

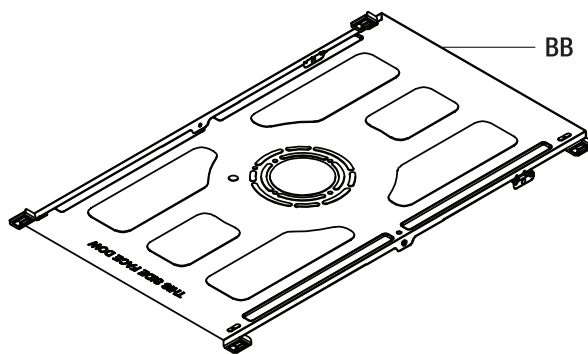


3 Attaching the Mounting Plate to the Junction Box

- Attach the mounting plate (BB) to the junction box using the screws (EE).
- Align the mounting plate in the direction you want the fixture to be aligned. Once the toggle bolts are installed, you cannot change the orientation.

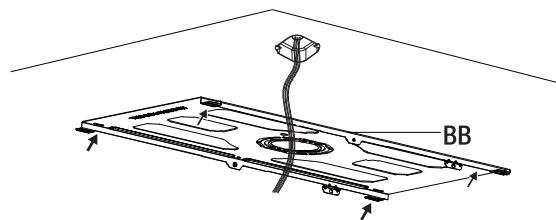


NOTE: Once the toggle bolts are installed, you cannot change the orientation.



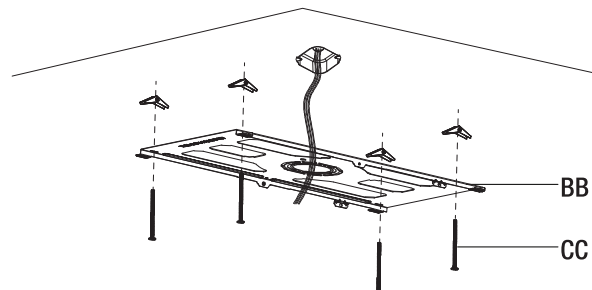
4 Positioning the Toggle Bolts

- Using the mounting plate (BB) as a guide, mark the position of the holes on the ceiling or wall where the toggle bolts (CC) will be placed.



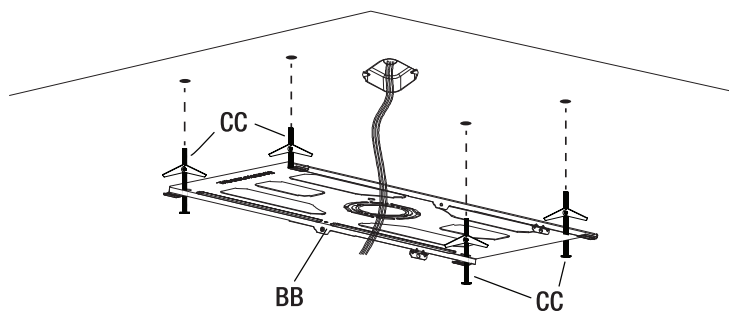
5 Installing the Toggle Bolts

- Remove the mounting plate (BB) from the junction box.
- Drill four holes where marked using a 1/2 in. drill bit.
- Insert a toggle bolt (CC) through the front of the mounting plate (BB) and reattach the wing to the toggle bolt (CC). Repeat for all four toggle bolts.



6 Re-attaching the Mounting Plate

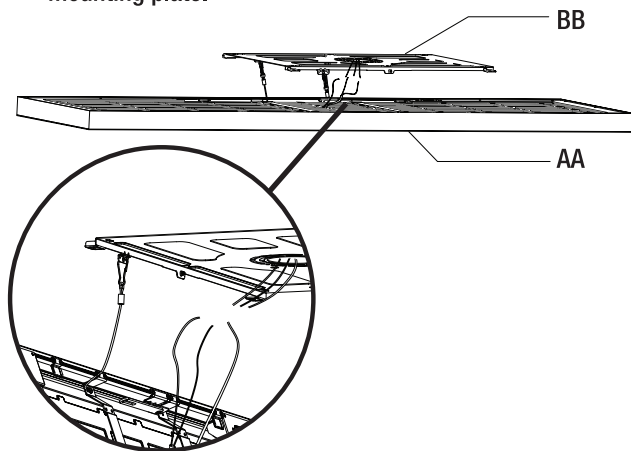
- Feed the junction box wires through the center of the mounting plate (BB) hole.
- Re-attach the mounting plate (BB) by inserting the four toggle bolts (CC) into the drilled holes.
- Once the toggle bolts (CC) are through and expanded, pull the toggle bolt (CC) downward to engage and tighten.



Installation (continued)

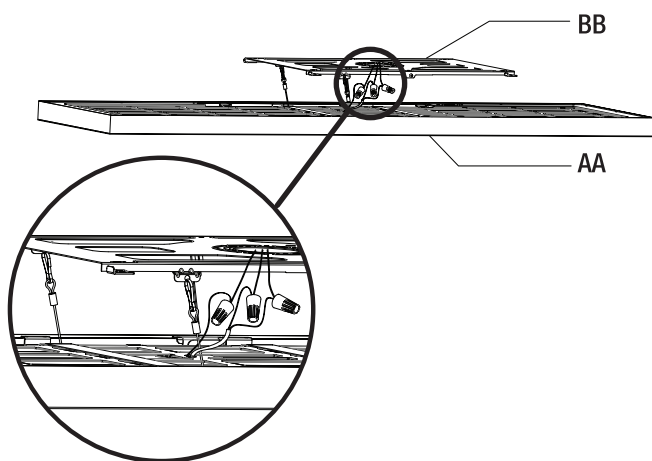
7 Connecting the Fixture

- Hook the support wire from the fixture (AA) on the mounting plate.



8 Installing the Fixture

- Connect the three wires coming from the fixture (AA) to the junction box wires (black - Line Voltage, white - Neutral and green - Ground).



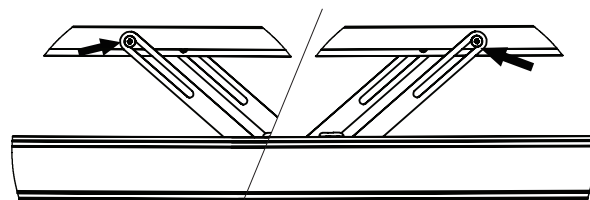
NOTE: Care must be taken not to have excess wires outside the junction box to avoid pinching wires. This may cause an electrical short and could lead to a potential hazard.



NOTE: Before attaching the fixture, select the preferred color temperature on the back of the fixture. See "Changing Color Settings" for details.

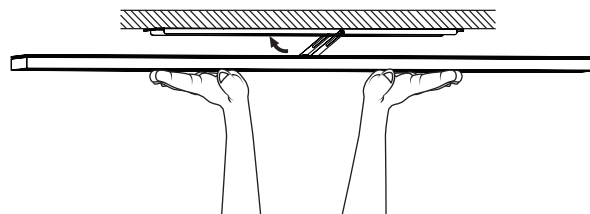
9 Connecting the Swing Arms

- Insert the swing arm's key hole slot into the mounting plate's (BB) hanging screw.



10 Attaching the Fixture

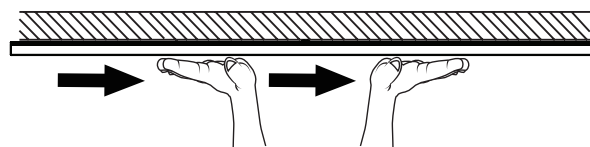
- Feed the junction box and fixture (AA) wires through the mounting plate's (BB) center hole.
- Raise the fixture (AA) to the direction of the arrow on the swing arm.



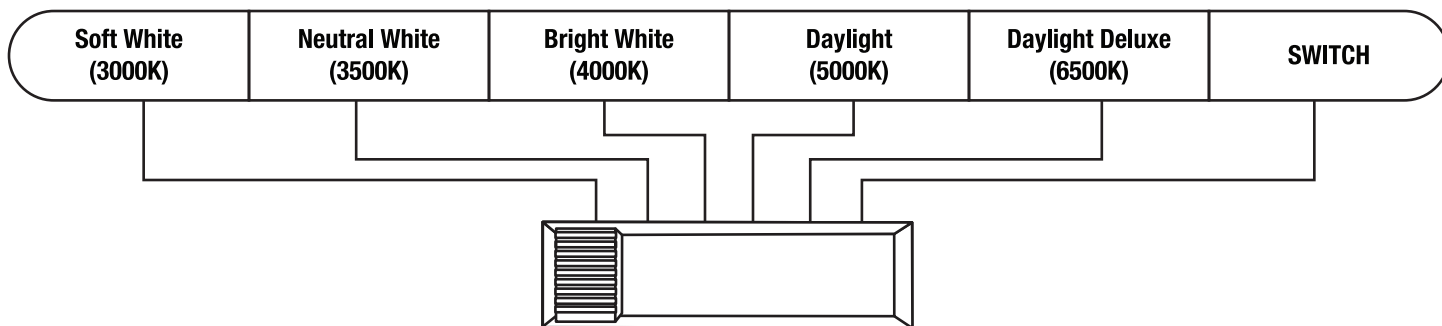
NOTE: Tuck the safety cable hook to the side of the back to keep it out of the way during installation.

11 Securing the Fixture

- Once the fixture (AA) has been raised and is flush to the ceiling, lock the fixture by moving it towards the opposite direction it was raised (as indicated on the product label).



Color Settings



1. When the slide switch is set to 3000K, the color temperature is set to Soft White.
2. When the slide switch is set to 3500K, the color temperature is set to Neutral White.
3. When the slide switch is set to 4000K, the color temperature is set to Bright White.
4. When the slide switch is set to 5000K, the color temperature is set to Daylight.
5. When the slide switch is set to 6500K, the color temperature is set to Daylight Deluxe.
6. When the slide switch is set to SWITCH, the color temperature can be changed from 3000K, 3500K, 4000K, 5000K and 6500K with your existing light switch.
7. To change color temperatures using your existing light switch:
 - A. Set the slide switch on the back of the fixture to SWITCH.
 - B. Toggle your light switch ON and OFF within 0.5-3 seconds to cycle through the 5 different color temperatures.
 - C. The fixture will remember the last color temperature selected after the fixture has been on a selected color temperature for 10 seconds and eventually turned off. To maintain selected color, do not toggle switch as detailed in the prior step, but leave off for 10 seconds. The next time the fixture is turned on, the fixture will emit the last color temperature selected.
8. The reset function is used when using multiple Color Selectable lighting products operating from the same light switch. In the event multiple fixtures are not displaying the same color at the same time, fixtures must be RESET using your existing light switch. Simply toggle the wall switch ON and OFF 7 times quickly. For best results, cycle ON/OFF 7 times within 5-10 seconds.

Care and Cleaning

- To clean the fixture, first disconnect the power to the fixture by turning off the circuit breaker or by removing the fuse at the fuse box.
- Use a dirty or slightly dampened, clean cloth (Use water, never use a solvent) to wipe the surface of the fixture.
- Allow the fixture to dry completely before power is restored.



Questions, problems, missing parts? Before returning to the store,
call Commercial Electric Customer Service
8 a.m. - 7 p.m., EST, Monday - Friday, 9 a.m. - 6 p.m., EST, Saturday

1-877-527-0313

HOMEDEPOT.COM

Retain this manual for future use.