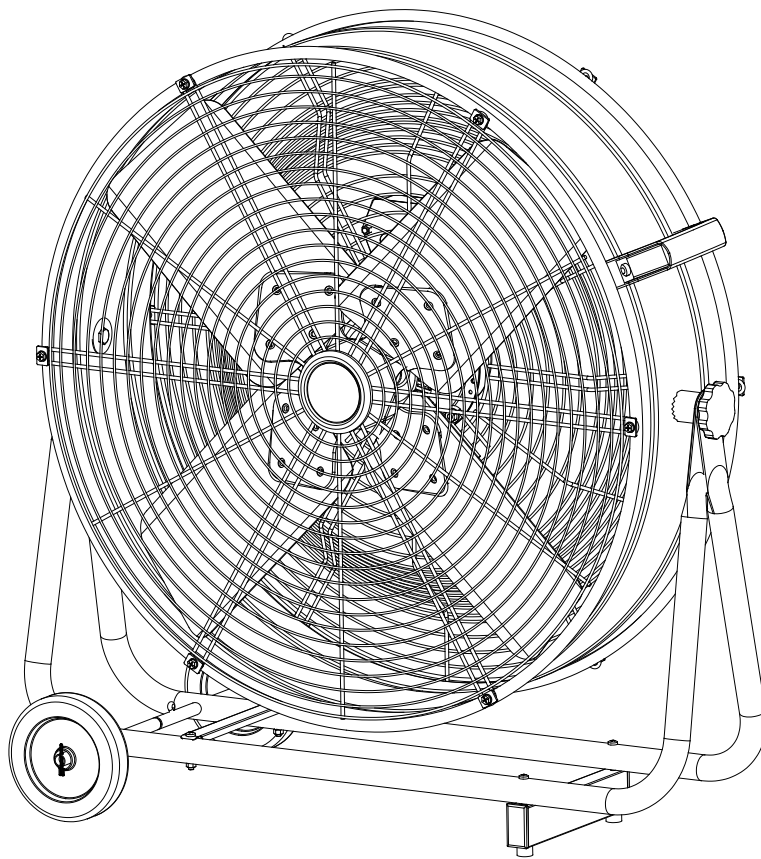


USE AND CARE GUIDE

24 in. 2-Speed Heavy Duty Tilt Drum Fan



Questions, problems, missing parts? Before returning to the store,
call Commercial Electric Customer Service
8 a.m. - 7 p.m., EST, Monday - Friday, 9 a.m. - 6 p.m., EST, Saturday

1-877-527-0313

HOMEDEPOT.COM

THANK YOU

We appreciate the trust and confidence you have placed in Commercial Electric through the purchase of this fan. We strive to continually create quality products designed to enhance your home. Visit us online to see our full line of products available for your home improvement needs.

Thank you for choosing Commercial Electric!


Table of Contents


Table of Contents 2
Safety Information 2
Warranty 3
Pre-assembly 3
 Planning Assembly 3
 Tools Required 3

Hardware Included 3
Package Contents 4
Assembly 5
Operation 6
Maintenance 7
Care and Cleaning 7

Safety Information


READ AND SAVE THESE INSTRUCTIONS.


 **WARNING:** Unplug the fan before moving it or performing maintenance. Do not touch the fan when your hands are wet.


 **WARNING:** Those who are not qualified electricians should not disassemble, repair, or rebuild the fan.


 **WARNING:** Unplug the fan when it is not in use.


 **WARNING:** DO NOT unplug the fan by holding the cable cord. Unplug by holding the plug.


 **WARNING:** DO NOT use the fan when there is damage to the cable cord or plug.

 **WARNING:** DO NOT use the fan with an extension cord.

 **WARNING:** DO NOT insert your hand or other objects into the guard or the movable parts.


 **WARNING:** To reduce the risk of fire or electric shock, do not use this fan with any solid-state speed control device.


 **WARNING:** DO NOT use the fan close to a fire.

 **WARNING:** If the supply cord is damaged, it has to be replaced by the manufacturer, its service agent or similarly qualified persons in order to avoid a hazard.

 **WARNING:** DO NOT use this fan outdoors.

 **CAUTION:** DO NOT immerse the fan in water.

 **CAUTION:** If you have removed the guard for cleaning, fit the guard back onto the fan before starting the fan.

 **CAUTION:** This fan is not intended for use by people (including children) with reduced physical, sensory or mental capabilities or lack of experience and knowledge unless they have been given supervision or instruction concerning use of the fan by a person responsible for their safety. Supervise children to ensure they do not play with the fan.

Warranty

The manufacturer warrants this product to be free from manufacturing defects in the material and workmanship under normal use for a period of two years after the date of purchase by the original purchaser.

This warranty does not cover transit damages. This warranty does not apply to damages from accident, misuse, alteration of any kind to the fan or where the connected voltage is more than above the nameplate voltage. This warranty does not apply to the finish on any portion of the product. Servicing performed by unauthorized persons shall render the warranty invalid.

The warranty is not responsible for damages of any kind, including accident and consequential damages. Some states do not allow the exclusion or limitation of the incidental or consequential damages, so the above exclusion or limitation may not apply to you. This warranty gives you specific legal rights, and you may also have other rights which vary from state to state.

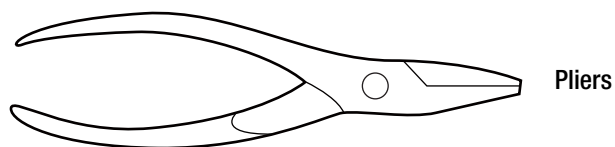
For additional questions regarding warranty, contact the Customer Service Team at 1-877-527-0313 or visit www.HomeDepot.com.

Pre-assembly

PLANNING ASSEMBLY

Compare all parts with the Hardware Included and Package Contents lists. If any part appears missing or damaged, do not assemble or use this product. Contact Customer Service at 1-877-527-0313 or visit HOMEDEPOT.COM.

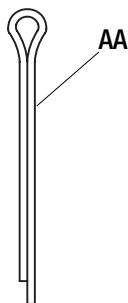
TOOLS REQUIRED



HARDWARE INCLUDED



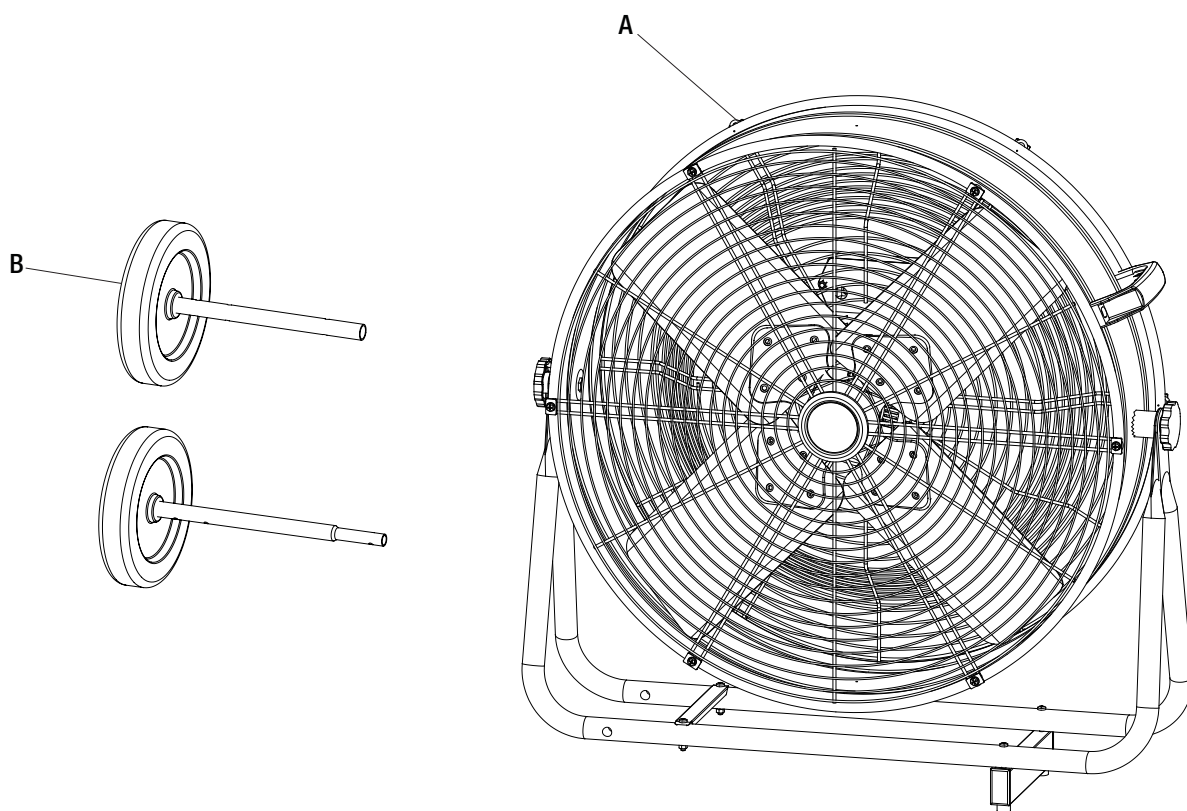
NOTE: Hardware not shown to actual size.



Part	Description	Quantity
AA	Pin	1

Pre-assembly (continued)

PACKAGE CONTENTS

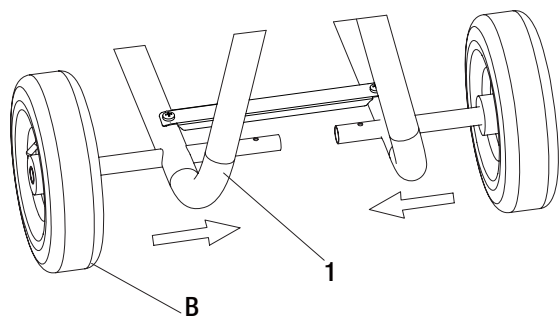


Part	Description	Quantity
A	Fan head	1
B	Wheels (pair)	1

Assembly

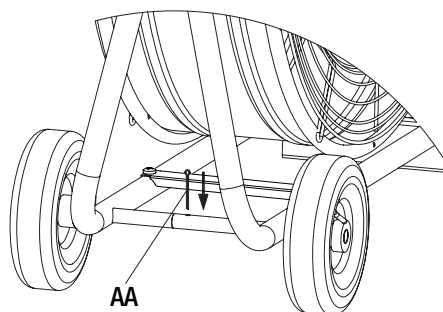
1 Attach the wheels to the base

- Attach the wheels (B) to the base (1).



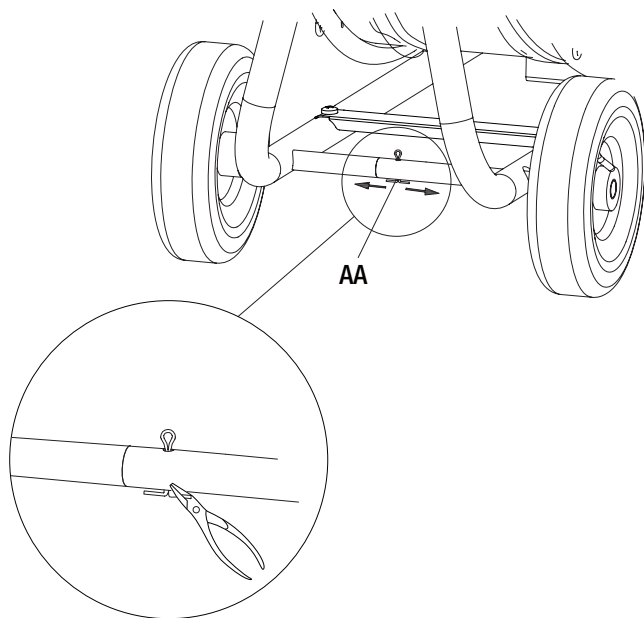
2 Secure the wheels

- Secure the wheels (B) by inserting a pin (AA).



3 Split the pin

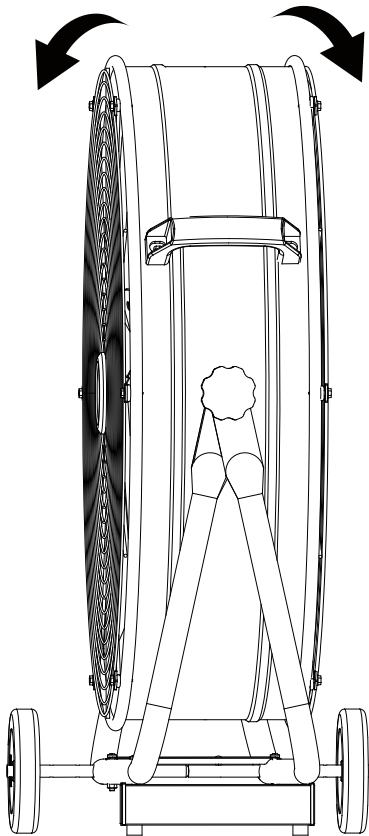
- Split the pin (A) and secure using pliers.



Operation

1 Adjusting the fan tilt angle

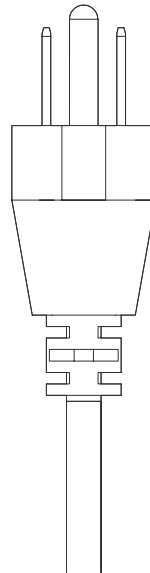
- Ensure the fan is unplugged from the power source before adjusting the fan tilt angle.
- Place the fan on a safe, flat surface where it cannot fall or be pulled by the cord.
- Tilt the fan head up or down for desired direction of air flow.



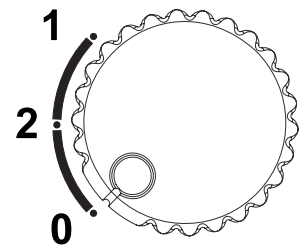
2 Turning the fan On/Off and adjusting the airflow settings

- Plug the power cord into an outlet.
- Turn the switch to the desired speed. The settings are 0 = Off, 1 = Low, and 2 = High.


POWER CORD



SWITCH



Maintenance

 This fan contains resettable thermal protector. If the fan stops working as a result of the motor overheating, please wait for several minutes till the motor cools down, then restart the fan.

Care and Cleaning

- Unplug the fan before cleaning. Do not immerse any portion of the fan in water. Slightly moisten a cloth and then wipe off the surfaces of the fan.
- In order to remove dust from the grill, use a vacuum cleaner or remove the front grill by removing the securing clip on the edge of the grill. After cleaning, remount the grill and securing clip.



Questions, problems, missing parts? Before returning to the store,
call Commercial Electric Customer Service
8 a.m. - 7 p.m., EST, Monday-Friday, 9 a.m. - 6 p.m., EST, Saturday

1-877-527-0313

HOMEDEPOT.COM

Retain this manual for future use.