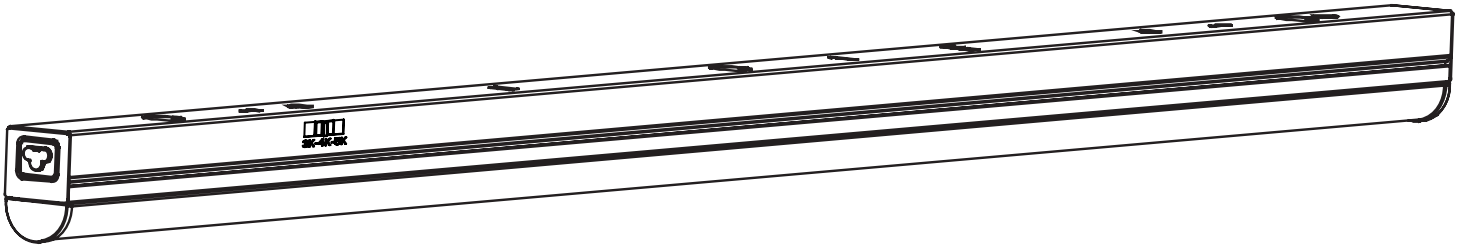


USE AND CARE GUIDE

LINKABLE LED STRIP LIGHTS WITH SELECTABLE COLOR TEMPERATURE



Questions, problems, missing parts? Before returning to the store,
call Commercial Electric Customer Service
8 a.m. – 7 p.m., EST, Monday - Friday
9 a.m. – 6 p.m., EST, Saturday

1-877-527-0313

HOMEDEPOT.COM



THANK YOU

We appreciate the trust and confidence you have placed in Commercial Electric through the purchase of this LED light. We strive to continually create quality products designed to enhance your home. Visit us online to see our full line of products available for your home improvement needs. Thank you for choosing Commercial Electric!

Table of Contents

Table of Contents	2	Additional Parts Available to Purchase	4
Safety Information	2	Installation	5
Warranty	2	Surface Mounting	5
Pre-Installation	3	Suspension Mounting	9
Planning Installation	3	Linking Feature	12
Tools/Hardware Required	3	Adjusting the Color Temperature of the Light	13
Package Contents	3	Care and Cleaning	13
Hardware Included	4	Troubleshooting	13

Safety Information



WARNING: Carefully read and understand the information given in this manual before beginning the assembly and installation. Failure to do so could lead to electric shock, fire, or other injuries which could be hazardous or even fatal.



WARNING: Ensure the electricity to the wires you are working on is shut off. Either remove the fuse or turn off the circuit breaker.



WARNING: This portable luminaire has a grounding type attachment plug as a feature to reduce the risk of electric shock. This plug will fit in a polarized outlet only one way. If the plug does not fit fully in the outlet, reverse the plug. If it still does not fit, contact a qualified electrician. Never use with an extension cord unless plug can be fully inserted. Do not alter the plug.



CAUTION: For safety, linked strip lights can either be installed as plug-in or direct wire, but never combined.

NOTICE: Connect up to a maximum of 30 strip lights (Model 54263211) or 15 strip lights (Model 54261211). Do not exceed 300 total watts for interconnected lights.

NOTICE: When using the power cord, the maximum distance to the electrical receptacle is determined by the 5 ft. power cord length.

NOTICE: Do not use this fixture with a dimmer switch.

NOTICE: This equipment has been tested and found to comply with the limits for a Class B digital device, pursuant to Part 15 of the FCC Rules.

These limits are designed to provide reasonable protection against

harmful interference in a residential installation.

This equipment generates, uses and can radiate radio frequency energy and, if not installed and used in accordance with the instructions, may cause harmful interference to radio communications. However, there is no guarantee that interference will not occur in a particular installation. If this equipment does cause harmful interference to radio or television reception, which can be determined by turning the equipment off and on, the user is encouraged to try to correct the interference by one or more of the following measures:

- Reorient or relocate the receiving antenna.
- Increase the separation between the equipment and the receiver.
- Connect the equipment into an outlet on a circuit different from that to which the receiver is connected.
- Consult the dealer or an experienced radio/TV technician for help.



CAUTION: Changes or modifications not expressly approved by the party responsible for compliance could void the user's authority to operate the equipment.

Warranty

WHAT IS COVERED

The manufacturer warrants this light fixture to be free from defects in materials and workmanship for a period of five (5) years from date of purchase. This warranty applies only to the original consumer purchaser and only to products used in normal use and service. If this product is found to be defective, the manufacturer's only obligation, and your exclusive remedy, is the repair or replacement of the product at the manufacturer's discretion, provided that the product has not been damaged through misuse, abuse, accident, modifications, alterations, neglect, or mishandling.

WHAT IS NOT COVERED

This warranty shall not apply to any product that is found to have been improperly installed, set-up, or used in any way not in accordance with the instructions supplied with the product. This warranty shall not apply to a failure of the product as a result of an accident, misuse, abuse, negligence, alteration, faulty installation, or any other failure not relating to faulty material or workmanship. This warranty shall not apply to the finish on any portion of the product, such as surface and/or weathering, as this is considered normal wear and tear.


The manufacturer does not warrant and specifically disclaims any warranty, whether express or implied, of fitness for a particular purpose, other than the warranty contained herein. The manufacturer specifically disclaims any liability and shall not be liable for any consequential or incidental loss or damage, including but not limited to any labor / expense costs involved in the replacement or repair of said product.

Contact the Customer Service Team at 1-877-527-0313 or visit www.HomeDepot.com.

Pre-Installation

PLANNING INSTALLATION

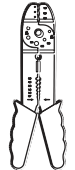

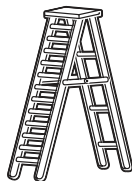




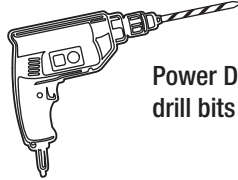




Before beginning assembly, installation, or operation of product, make sure all parts are present. Compare parts with the Hardware Included and Package Contents lists. If any part is missing or damaged, do not attempt to assemble, install, or operate the product. Contact Customer Service for replacement parts.

 **NOTE:** Keep your receipt and these instructions for proof of purchase.


If you are unfamiliar with electrical installations, we recommend you contact a qualified electrician to do the installation.


TOOLS/HARDWARE REQUIRED

Tools and hardware required vary by type of installation.

	Wire Strippers		Safety Goggles		Ladder		Gloves
	Measuring Tape		Phillips Screwdriver		Electrical Tape		Power Drill with drill bits
	Cord Clips		Toggle Bolts*		Hook Screws*		Chains with S hooks*

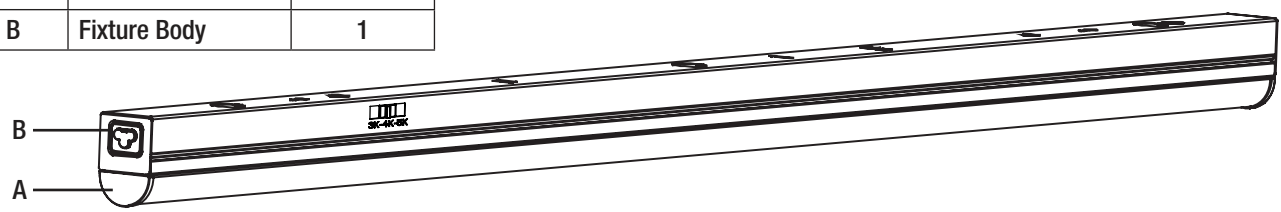
* For Suspension Mounting only

 **CAUTION:** Chains/cables and hooks must have weight bearing capacity exceeding 11 lbs.(5 KG). S hooks must be ≤ 0.1 in. (2.5 mm).

 **NOTE:** Eye hooks can be used as an alternate method of attaching the fixture to the ceiling when suspension mounting.

PACKAGE CONTENTS

Part	Description	Quantity
A	Lens Cover	1
B	Fixture Body	1



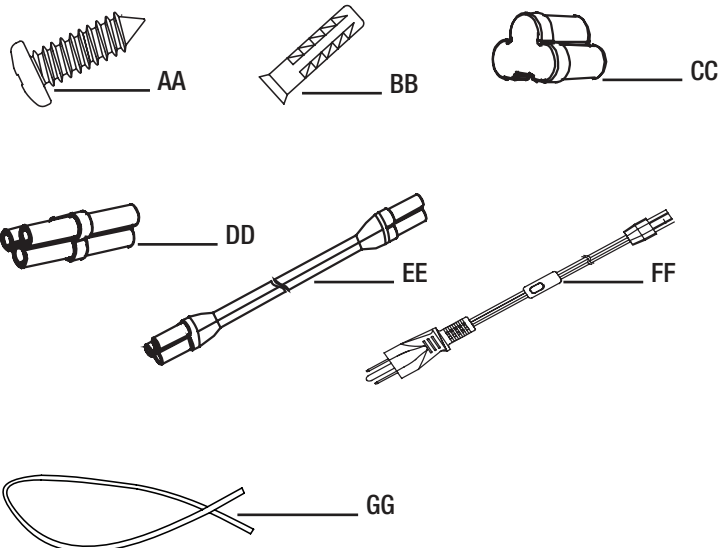
Pre-Installation (continued)

HARDWARE INCLUDED



NOTE: Hardware not shown to actual size.

Part	Description	Quantity
AA	Mounting Screw	2
BB	Drywall Anchor	2
CC	End Cover	2
DD	End-to-end Connector	1
EE	Linking Cable (12 in.)	1
FF	Power Cord with ON/OFF Switch (5 ft.)	1
GG	Cable Tie	1



ADDITIONAL PARTS AVAILABLE TO PURCHASE



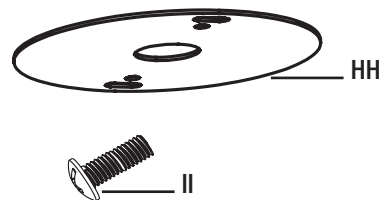
NOTE: The hardware kit for surface mounting is sold as a separate accessory. Visit www.HomeDepot.com for more information and to purchase.



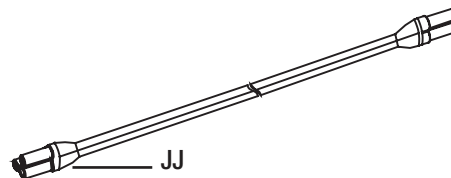
NOTE: Separate parts not shown to actual size.

Part	Description	Quantity	SKU
HH	Electrical Box Plate	1	1001471759*
II	Electrical Box Screw	2	

* Required for Surface Mounting



Part	Description	Quantity	SKU
JJ	Linking Cable (5 ft.)	1	1001471760



Installation

Select a suitable location that can support the weight of the fixture. Determine the method for mounting the fixture before drilling, based on the type of ceiling.



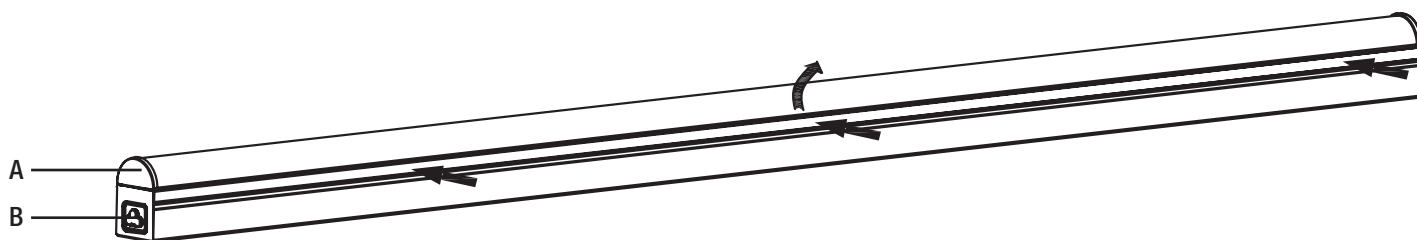
WARNING: RISK OF ELECTRIC SHOCK. Ensure the electricity to the wires you are working on is shut off. Either remove the fuse or turn off the circuit breaker before removing an existing light fixture or installing the new one.

Surface Mounting

With power disconnected to the electrical box, remove the existing fixture. Make a sketch of how the current fixture is wired (by wire color) or mark the wires with masking tape and a pencil so you will know how to properly reconnect the wires to the new LED light fixture.

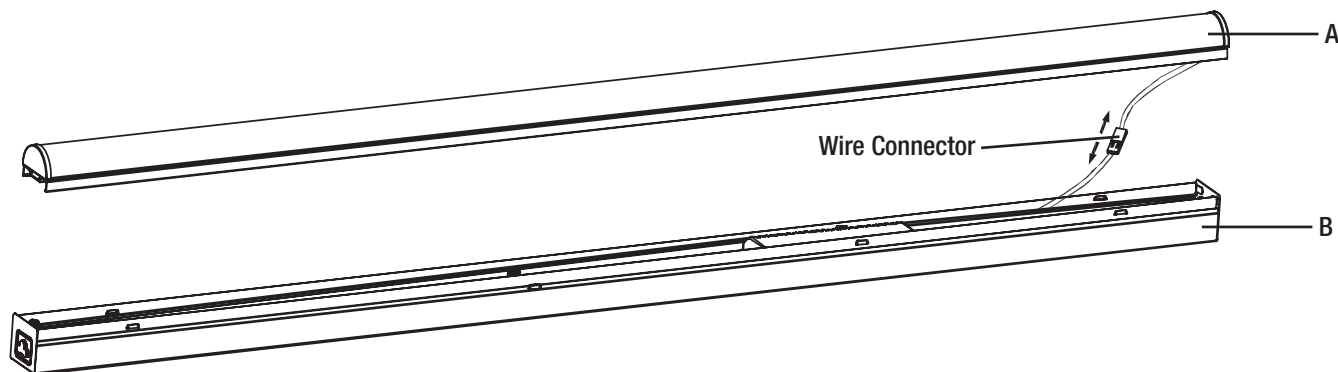
1 Separating the lens cover from the fixture body

- Press the sides of the fixture body (B) inward, in the direction of the arrows, and remove the lens cover (A) with the other hand.



2 Preparing the fixture for installation

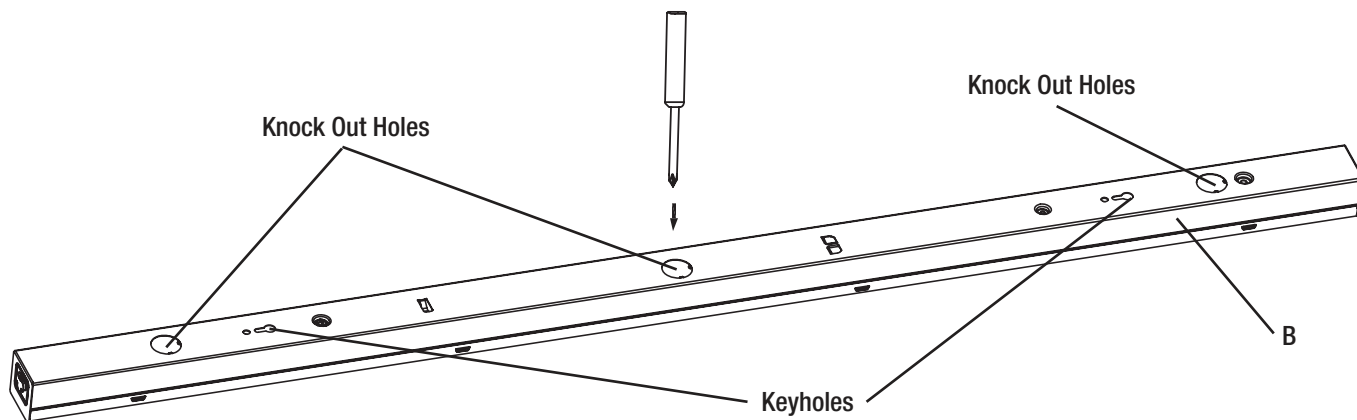
- After separating the lens cover (A) from the fixture body (B), unplug the wire connector to disconnect the terminal wires.



Surface Mounting (continued)

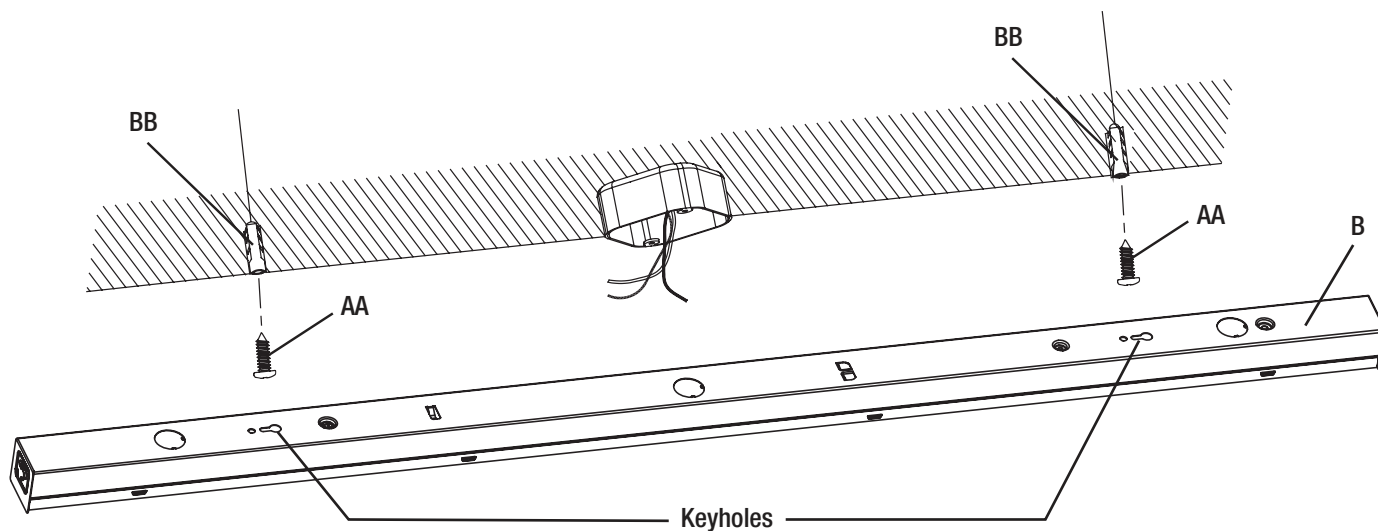
3 Removing one of the knock outs in the fixture

- Hold the fixture body (B) up to the mounting surface to determine which knock out hole to use for wiring the fixture.
- Mark two keyhole locations on the mounting surface.
- Using a screwdriver, punch out one of the large knock out holes in the fixture body (B) for wiring, based on the installation position.



4 Preparing to mount the fixture

- Drill a 1/8-in. pilot hole into the screw locations marked on the ceiling. You can also use an awl or nail to dimple the screw holes.
- Install a drywall anchor (BB) and a mounting screw (AA) in each drilled mounting hole, but do not tighten fully.



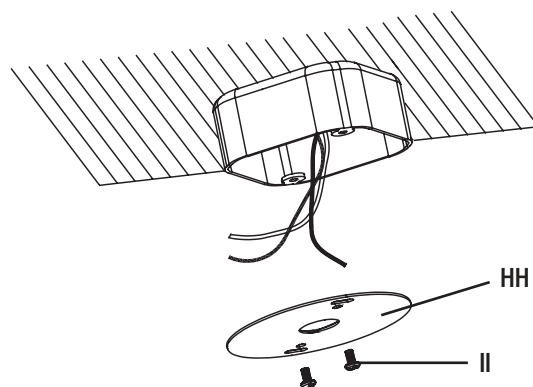
Surface Mounting (continued)

5 Attaching the electrical box plate

- Feed the electrical wires from the electrical box through the center of the electrical box plate (HH - not included).
- Secure the electrical box plate (HH - not included) to the electrical box with the electrical box screws (II - not included).

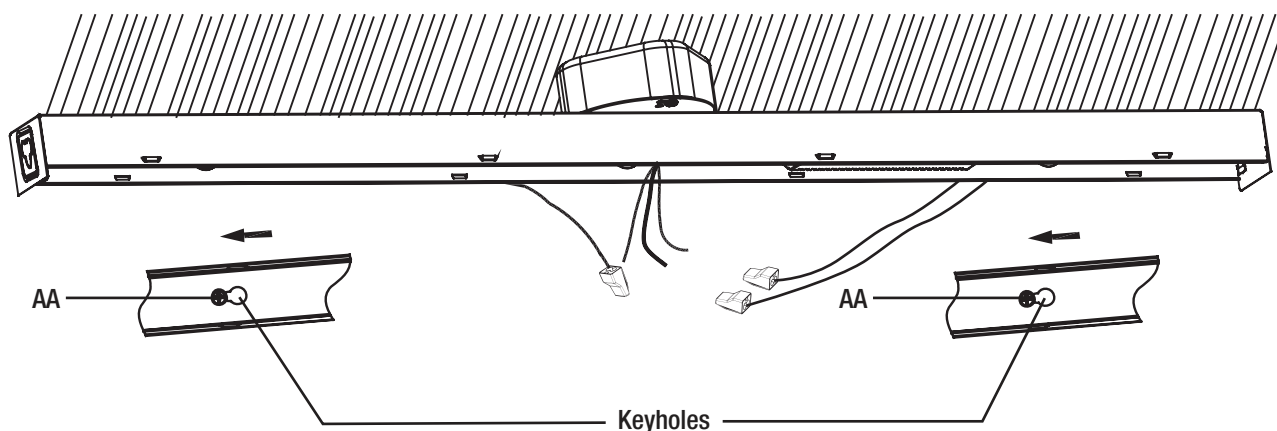


NOTE: The hardware kit for surface mounting is sold as a separate accessory. Visit www.HomeDepot.com for more information and to purchase.



6 Mounting the light fixture

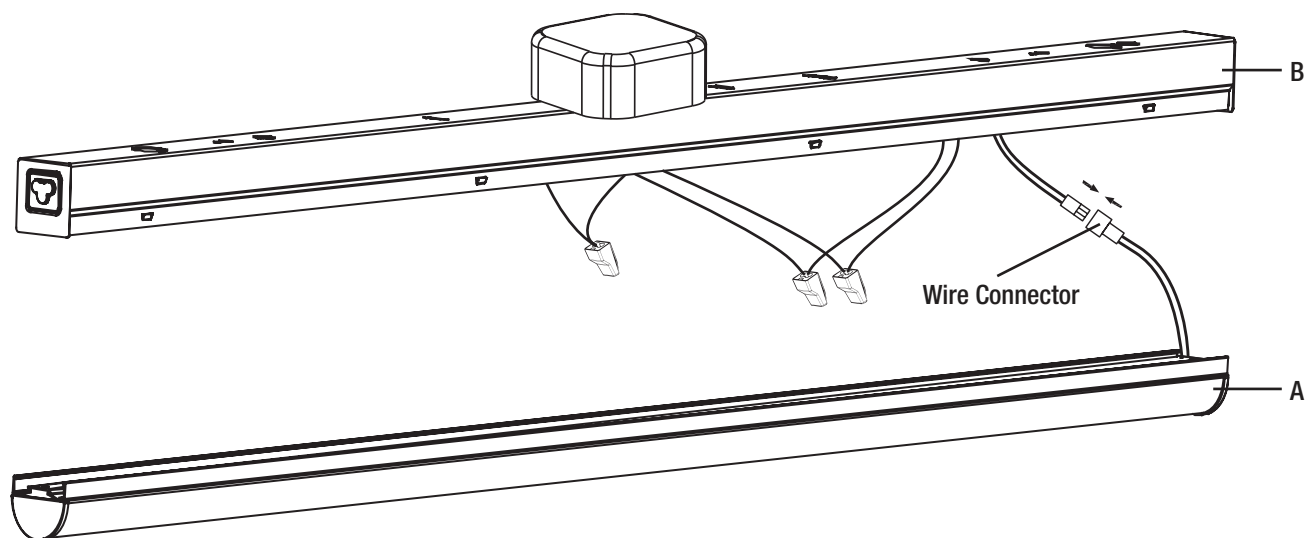
- Feed the electrical wires from the electrical box through the open knock out hole in the fixture body (B).
- Align the two mounting keyholes on the fixture body (B) with the two mounting screws (AA) in the ceiling.
- Once the screw heads are through the large ends of the keyholes, slide the fixture body (B) to the left until the heads of the mounting screws (AA) slide into the narrow ends of the keyholes.
- Finish tightening the mounting screws (AA) until the fixture body (B) is tightly secured to the mounting surface.



Surface Mounting (continued)

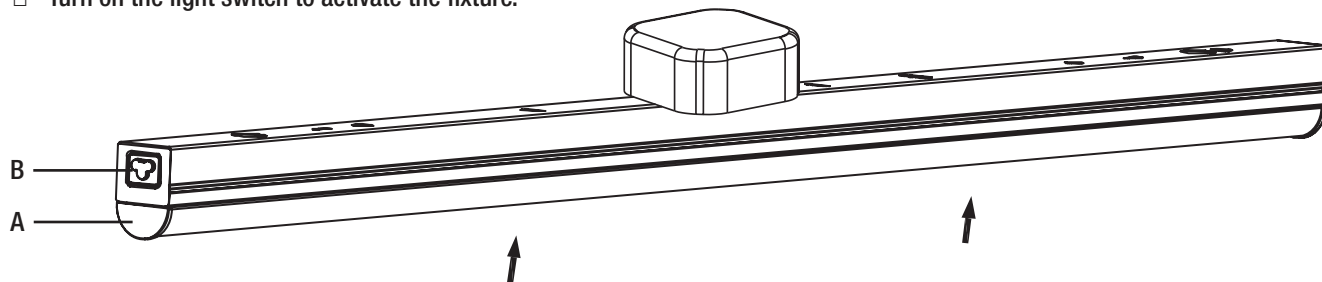
7 Making the electrical connections

- Insert the hot and neutral (black and white) wires from the electrical box into the wire connectors of the same color wires from the fixture body (B).
- Insert the ground wire from the electrical box into the wire connector attached to the green wire from the fixture body (B).
- Reconnect the terminal wires with the attached wire connector.



8 Completing the installation

- Snap the lens cover (A) onto the fixture body (B).
- Restore the power to the electrical box.
- Turn on the light switch to activate the fixture.



Suspension Mounting



NOTE: Separate mounting hardware (not included) not shown to actual size.



NOTE: When determining the desired location for suspension mounting the light fixture using the plug-in installation method, make sure the light fixture is located directly below the electrical outlet and that the distance between the electrical outlet and the end of the light fixture is less than 5 ft.

For mounting to drywall:
Toggle bolt x 2



For mounting to wood:
Hook screw x 2



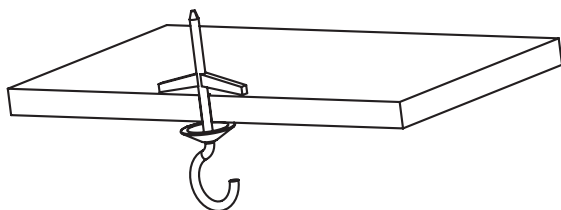
Part	Description	Quantity
Toggle Bolts	Consisting of a No. 10-24 bolt 2-7/8 inches long with two tapered wings 1 by 5/16 inch.	2
Studs	Measuring 1-3/4 inches overall and having 1-1/4 inches of wood screw threads on one end and at least six No. 10-24 machine screw threads on the other end.	2
Metal Hooks	With a No. 10-24 threaded hole that engages the bolt threads.	2



NOTE: Eye hooks can be used as an alternate method of attaching the fixture to the ceiling.

1 Mounting to drywall

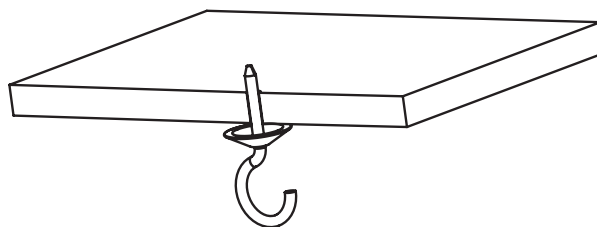
- Drill two holes large enough to clear the closed flaps of the butterfly nut on the toggle bolt (not included). Make sure to fasten the toggle bolt into the butterfly nut before inserting the flaps into the ceiling.
- Tighten the toggle bolt.



NOTE: If using eye hooks in the ceiling instead, attach the chain with S hooks.

2 Mounting to wood

- Drill two 1/16 in. diameter holes in the ceiling to accommodate hook screws (not included). Make sure to fasten the combo wood-machine end into the metal hook.
- Tighten the hook screws (not included) into the wood.

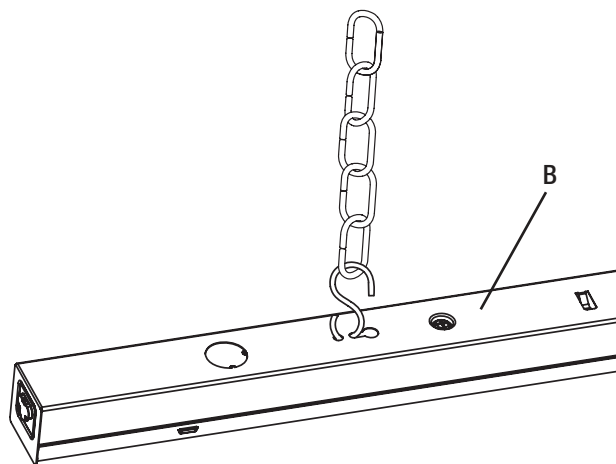


NOTE: If using eye hooks in the ceiling instead, attach the chain with S hooks.

Suspension Mounting (continued)

3 Attaching the light to the chain

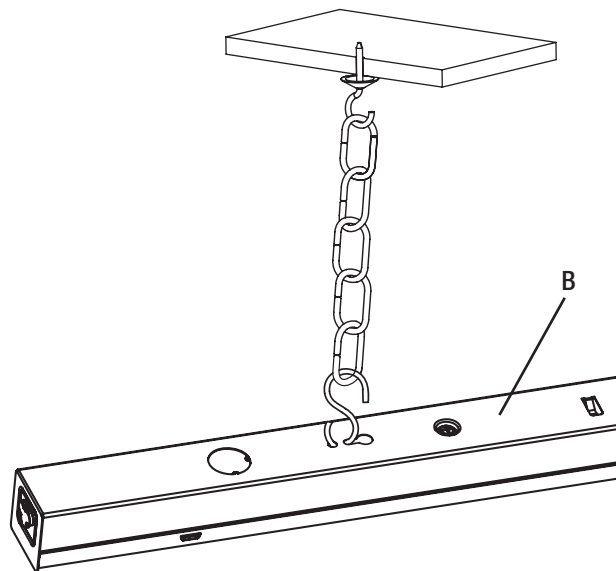
- Attach the S hook at the bottom of the mounting chain (not included) to the fixture body (B). Repeat this step on the other side of the fixture.



NOTE: Product should be suspended using metal chain or cable and hooks with weight bearing capacity exceeding 11 lbs (5 KG). S hooks must be ≤ 0.1 in. (2.5 mm) to fit the holes in the fixture body (B).

4 Attaching the chain to the ceiling

- Hang the fixture body (B) by placing one chain over each hook (not included) that has been installed on the ceiling.
- Adjust chains to level light.



NOTE: If using eye hooks in the ceiling instead, attach the top of the chain with S hooks.

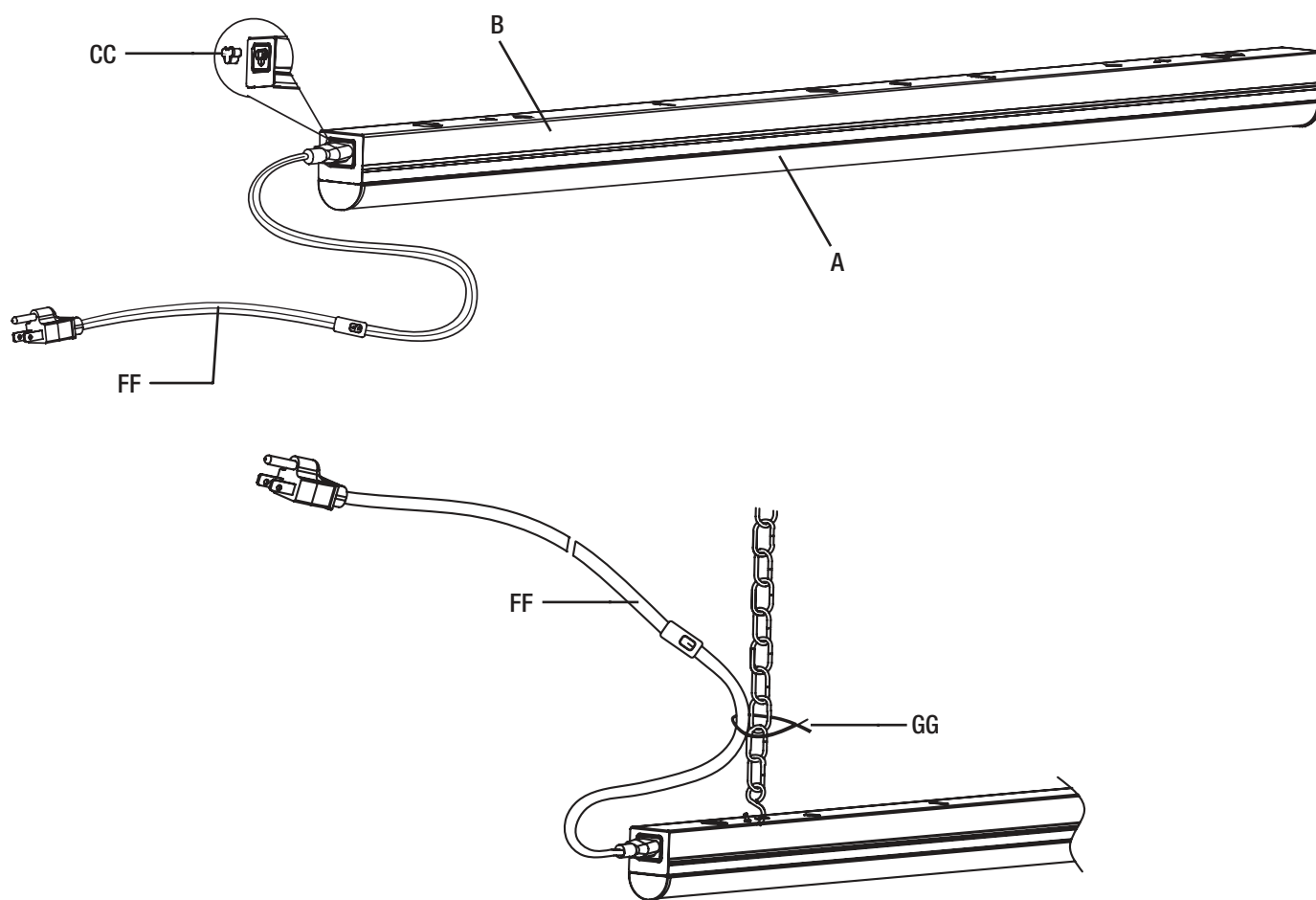
Suspension Mounting (continued)

5 Connecting the power cord



NOTE: Make sure the distance between the electrical outlet and the end of the light fixture is less than 5 ft. when using the plug-in installation method.

- Remove the end cover (CC) from the strip light.
- Plug the power cord (FF) into the end of the fixture body (B) and then plug the other end of the power cord (FF) into an electrical outlet.
- Secure the power cord (FF) to the ceiling using cord clips or cable raceway (not included).
- Attach the power cord (FF) to the chain with the cable tie (GG) provided.
- Turn the power on to activate the light fixture.



NOTE: When suspension mounting using the plug-in installation method, make sure the light fixture is located directly below the electrical outlet and that the distance between the electrical outlet and the end of the light fixture is less than 5 ft.

Linking Feature



WARNING: RISK OF ELECTRIC SHOCK. Disconnect power to the strip light before linking additional strip lights.

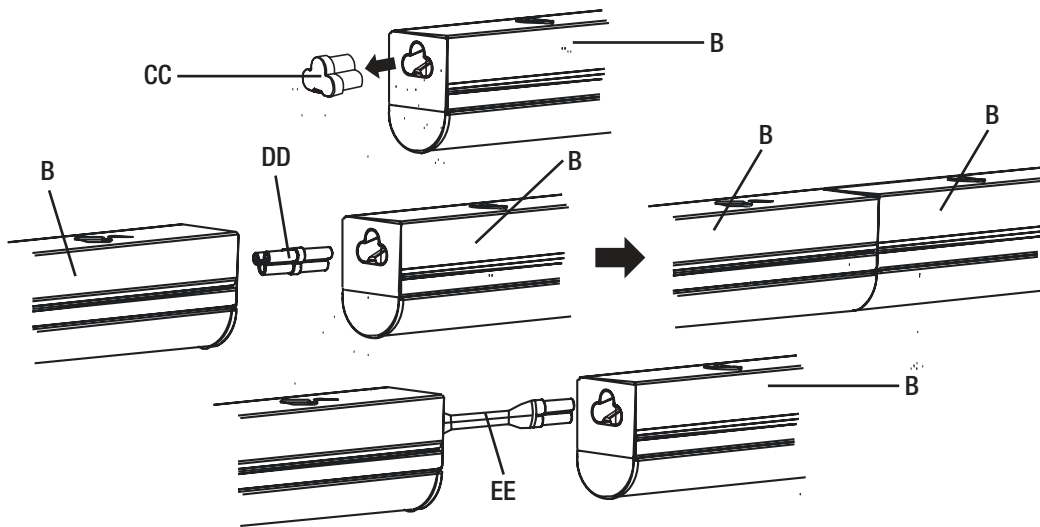
- Multiple light fixtures can be connected, but only the first light fixture needs to be plugged into an electrical outlet or direct wired to an electrical box.



WARNING: Provide power to the fixtures only after all linking connections have been made.

- Remove the end cover (CC) from one end of each fixture body (B) that will be linked.
- Firmly and fully insert either the end-to-end connector (DD) or linking cable (EE) into the open receptacle in the end of each fixture body (B).

NOTICE: When using the linking cable (EE), the maximum distance between two light fixtures is 12 in. using the linking cable (EE) provided, or 5 ft. using the 5-ft. linking cable (II) available as a separate accessory.



WARNING: RISK OF ELECTRIC SHOCK. If the receptacle on the end of the strip light is not used to link to another fixture, the receptacle needs to be closed by the end cover (CC). Do not touch live parts inside the receptacle.

- Connect up to a maximum of 30 strip lights. Do not exceed 300 total watts for interconnected lights. The table shows the maximum quantity of linkable strip lights that can be connected, based on wattage.

Model	Length	Wattage	Maximum # of Connected Strip Lights
54263211	2 ft.	10W	30
54261211	4 ft.	20W	15



CAUTION: If using linking cable to connect strip lights, affix the linking cable to the ceiling using cord clips or cable raceway (not included).



CAUTION: For safety, linked strip lights can either be installed as plug-in or direct wire, but never a combination of both.

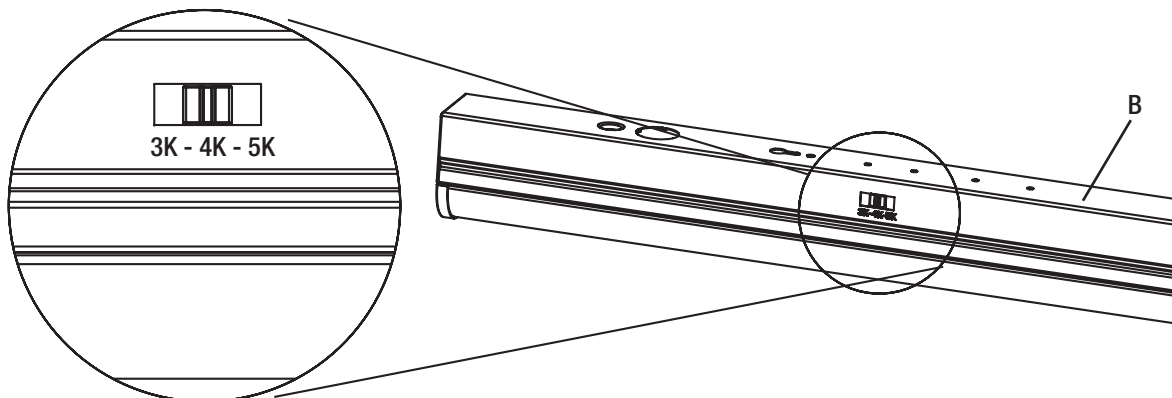
Adjusting the Color Temperature of the Light

This LED light fixture allows you to customize the color temperature of the light using three settings: soft white, bright white, or daylight.

- Move the toggle switch on the fixture body (B) to choose your favorite correlated color temperature (CCT) from three options: 3000k Soft White, 4000k Bright White, or 5000k Daylight.



NOTE: The factory setting for the correlated color temperature (CCT) is 3000K, which is the warmest white light.



Care and Cleaning



CAUTION: Before attempting to clean the fixture, disconnect the power to the fixture by turning the breaker off or removing the fuse from the fuse box.

- Clean the fixture with a soft, dry cloth.
- Do not use cleaners with chemicals, solvents, or harsh abrasives.
- Do not use liquid cleaner on the LEDs, LED driver, or wiring inside the fixture.

Troubleshooting



WARNING: Before doing any work on the fixture, disconnect power to the light fixture.

Minor problems often can be fixed without the help of an electrician.

Problem	Possible Cause	Solution
The fixture will not light.	The power is off.	Ensure the power supply is on.
	The circuit breaker is off.	Ensure the circuit breaker is in the on position.
	There is a bad connection.	Check to ensure proper wire connections are made. Contact a qualified electrician.
	There is a defective switch.	Contact a qualified electrician.
The fuse blows or the circuit breaker trips when the light is turned on.	The wires are crossed or the power wire is grounding out.	Check the wire connections. Contact a qualified electrician or call Commercial Electric customer service 1-877-527-0313.



Questions, problems, missing parts? Before returning to the store,
call Commercial Electric Customer Service
8 a.m.-6 p.m., EST, Monday-Friday

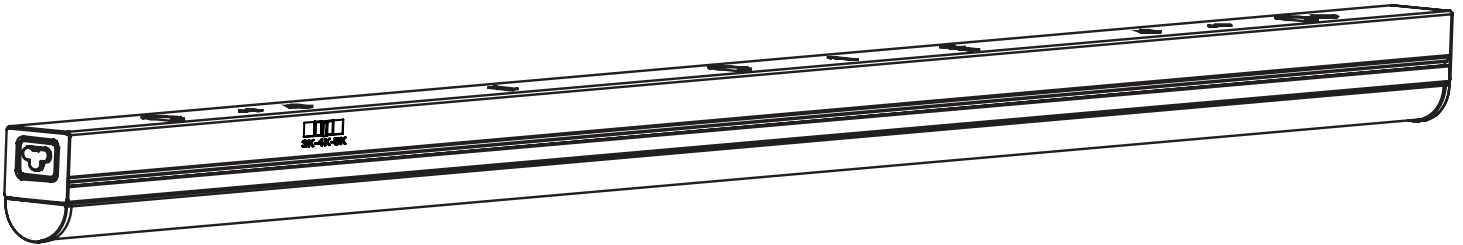
1-877-527-0313

HOMEDEPOT.COM

Retain this manual for future use.

GUÍA DE USO Y CUIDADO

BARRAS DE LUZ LED ENLAZABLES CON TEMPERATURA DE COLOR DE LUZ AJUSTABLE



¿Preguntas, problemas, piezas faltantes? Antes de devolver el producto a la tienda, llame al Centro de Atención al Cliente de Commercial Electric en el horario de 8 a.m. – 7 p.m., Hora del Este de EE.UU., de lunes a viernes.
9 a.m. – 6 p.m., Hora del Este de EE.UU., sábados.



1-877-527-0313

HOMEDEPOT.COM



GRACIAS

Apreciamos la confianza que ha puesto en Commercial Electric a través de la compra de esta luz LED. Nos esforzamos por crear constantemente productos diseñados para realzar su hogar. Visítenos en línea para ver nuestra gama completa de productos disponibles para sus necesidades al momento de hacer mejoras en su hogar. ¡Muchas gracias por elegir a Commercial Electric!

Contenido

Contenido	16	Piezas adicionales disponibles para comprar	18
Información sobre seguridad	16	Instalación	18
Garantía	16	Montaje en superficie	18
Previo a la instalación	17	Instalación suspendida	23
Planificación de la instalación	17	Función de enlace	26
Herramientas/materiales necesarias	17	Ajustar la temperatura del color del luz	27
Contenido del paquete	17	Cuidado y limpieza	27
Materiales incluidos	18	Solución de problemas	27

Información sobre seguridad



ADVERTENCIA: Lea cuidadosamente y comprenda la información incluida en este manual antes de comenzar el armado e instalación. No hacerlo puede provocar descarga eléctrica, incendio, u otras lesiones que pueden ser graves o mortales.



ADVERTENCIA: Asegúrese de cortar el suministro eléctrico en los cables con los que trabajará. Extraiga los fusibles o apague el cortacircuitos.



ADVERTENCIA: Esta lámpara portátil tiene un enchufe con conexión a tierra para reducir el riesgo de descarga eléctrica. Este enchufe encajará en una toma de corriente polarizada de una sola manera. Si el enchufe no encaja completamente en la toma, invierta el enchufe. Si aún no encaja, comuníquese con un electricista calificado. Nunca lo use con un cable de extensión a menos que el enchufe pueda insertarse completamente. No modifique el enchufe.



PRECAUCIÓN: Por seguridad, las barras de luz enlaces pueden ser instalado como cable enchufable o directo, pero nunca combinado.

AVISO: Puede conectar hasta un máximo de 30 barras (Modelo 54263211) o 15 barras (Modelo 54261211). No exceda de 300 vatios en total para lámparas interconectadas.

AVISO: Cuando se utiliza el cable de alimentación, la distancia máxima al receptáculo eléctrico se determina por la longitud del cable de alimentación de 5 pies.

AVISO: No use esta lámpara con un interruptor atenuador.

AVISO: Este equipo ha sido sometido a prueba y se halló que cumple con los límites establecidos para la clase B de dispositivos digitales, conforme a la Parte 15 de las Normas de FCC.

Estos límites se establecen para brindar protección razonable contra interferencia dañina en una instalación residencial. Este equipo genera, utiliza y puede irradiar energía de frecuencias de radio y, si no se instala conforme a las instrucciones, puede provocar interferencia dañina a las comunicaciones de radio.

A pesar de esto, no existe garantía de que la interferencia no se produzca en una instalación en particular.

Si este equipo produce interferencia dañina a la recepción de radio o televisión, lo que puede determinarse encendiendo y apagando el equipo, se insta al usuario a intentar corregir la interferencia mediante uno de los siguientes métodos:

- Cambie la orientación o ubicación de la antena receptora.
- Aumente la separación entre el equipo y el receptor.
- Conecte el equipo en un enchufe que esté en un circuito diferente al cual está conectado el receptor.
- Consulte con el representante o con un técnico experimentado en radio y televisión para solicitar asistencia.



PRECAUCIÓN: Los cambios o modificaciones que no estén expresamente aprobados por la parte responsable del cumplimiento anulan la autoridad del usuario de operar el equipo.

Garantía

CUBRE

El fabricante garantiza que este aparato de iluminación no tendrá defectos en los materiales o en la mano de obra por un periodo de cinco (5) años desde la fecha de compra. Esta garantía se aplica sólo al comprador consumidor original y sólo a los productos que se utilizan y reciben servicio en forma normal. Si se encuentra que este producto tiene defectos, la única obligación del fabricante, y su exclusiva solución, es reparar o reemplazar el producto a su entera discreción, siempre y cuando el producto no se haya dañado debido al mal uso, abuso, accidente, modificaciones, alteraciones, negligencias o mal manejo del mismo.

NO CUBRE

Esta garantía no se aplica a ningún producto que se ha instalado incorrectamente, ajustado o utilizado en una forma que no concuerde con las instrucciones suministradas junto con el producto. Esta garantía no se aplicará a fallas del producto como resultado de un accidente, uso incorrecto, abuso, negligencia, alteración, instalación defectuosa, o ninguna otra falla no relacionada con el material o mano de obra defectuosa. Esta garantía no se aplica a la terminación en una parte del producto, tales como la superficie o la acción de los elementos, ya que esto se considera desgaste normal.

El fabricante no garantiza y no acepta responsabilidad, ya sea, expresa o implícita de la idoneidad para un fin particular, a excepción de la garantía contenida en el presente. El fabricante niega específicamente responsabilidad y no será responsable por daños o pérdidas indirectas o consecuenciales, e incluye pero no se limita a los costos de mano de obra, gastos relacionados en el reemplazo o reparación de dicho producto.

Comuníquese con el equipo de Servicio al Cliente al 1-877-527-0313 o visite www.HomeDepot.com.

Previo a la instalación

PLANIFICACIÓN DE LA INSTALACIÓN

Antes de comenzar el armado, la instalación o antes de operar el producto, asegúrese de que tiene todas las piezas. Compare las piezas con la lista del contenido incluída. Si falta alguna pieza o si está dañada, no comience a armar, instalar, ni operar el producto. Comuníquese con el servicio al cliente para el reemplazo de las piezas.

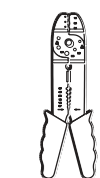


NOTA: Guardar el recibo de compra y estas instrucciones como prueba de compra.

Si no está familiarizado con las instalaciones eléctricas, le recomendamos que haga que un electricista calificado se ocupe de la instalación.

HERRAMIENTAS/MATERIALES NECESARIAS

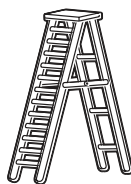
Las herramientas et los materiales necesarios varían según el tipo de instalación.



Alicates pelacables



Gafas deseguridad



Escalera



Guantes



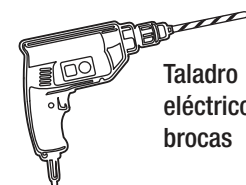
Cinta métrica



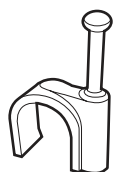
Destornillador de estrella



Cinta eléctrica



Taladro eléctrico con brocas



Abrazaderas de cable



Tornillo de fiador*



Tornillos gancho*



Cadenas y ganchos S*

* Por Instalación suspendida solamente



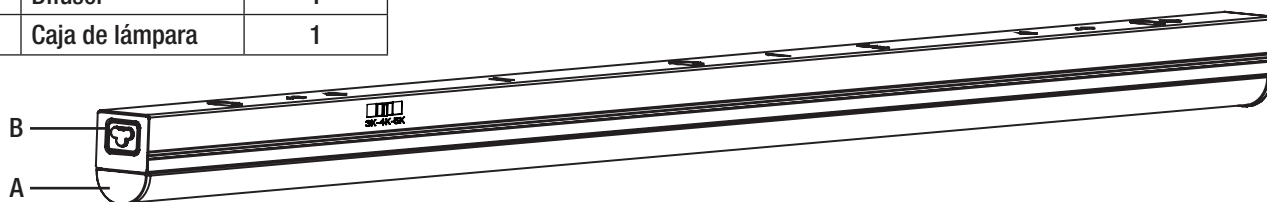
PRECAUCIÓN: Cadenas / cables y ganchos deben tener una capacidad de carga superior a 11 lbs. (5 kg). Los ganchos S deben ser $\leq 0,1$ pulg. (2,5 mm).



NOTA: Por una instalación suspendida, se puede utilizar también armellas cerradas para la fijación de la lámpara al techo.

CONTENIDO DEL PAQUETE

Pieza	Descripción	Cantidad
A	Difusor	1
B	Caja de lámpara	1



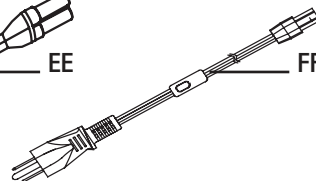
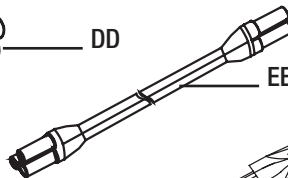
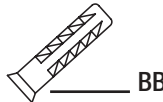
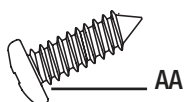
Previo a la instalación (continuación)

MATERIALES INCLUIDOS



NOTA: Los materiales no se ilustran en tamaño real.

Pieza	Descripción	Cantidad
AA	Tornillo de montaje	2
BB	Anclaje para panel de yeso	2
CC	Capuchón de extremos	2
DD	Conector extremo a extremo	1
EE	Cable de enlace (12 pulg.)	1
FF	Cable de alimentación con interruptor (5 pies)	1
GG	Corbata de cable	1



PIEZAS ADICIONALES DISPONIBLES PARA COMPRAR



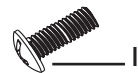
NOTA: El kit de herramientas de instalación en superficie se vende como un accesorio separado. Visite www.HomeDepot.com para obtener más información y para comprar.



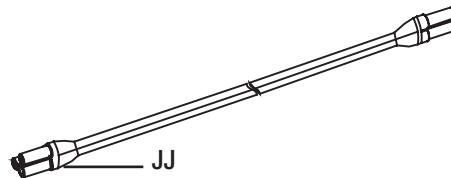
NOTA: Piezas no mostrados al tamaño real.

Pieza	Descripción	Cantidad	SKU
HH	Cubierta de caja eléctrica	1	1001471759*
II	Tornillos de caja eléctrica	2	

* Requerido para montaje en superficie



Pieza	Descripción	Cantidad	SKU
JJ	Cable de enlace (5 pies)	1	1001471760



Instalación

Seleccione una ubicación adecuada que pueda soportar el peso del aparato. Determinar el método de montaje de la lámpara antes de la perforación, en función del tipo de techo.



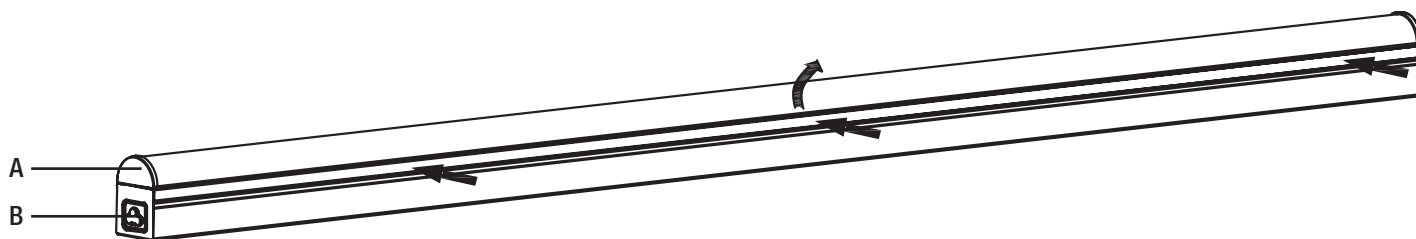
ADVERTENCIA: RIESGO DE DESCARGA ELÉCTRICA. Asegúrese de cortar el suministro eléctrico en los cables con los que trabajará. Extraiga los fusibles o apague el cortacircuitos antes de quitar el aparato de iluminación existente o instalar uno nuevo.

Montaje en superficie

Con la alimentación desconectada de la caja eléctrica, retire la lámpara existente. Haga un bosquejo de cómo se fija la lámpara actual (por el color del alambre) o marque los alambres con cinta y un lápiz así que usted sabrá reconectar correctamente los alambres a la nueva lámpara LED.

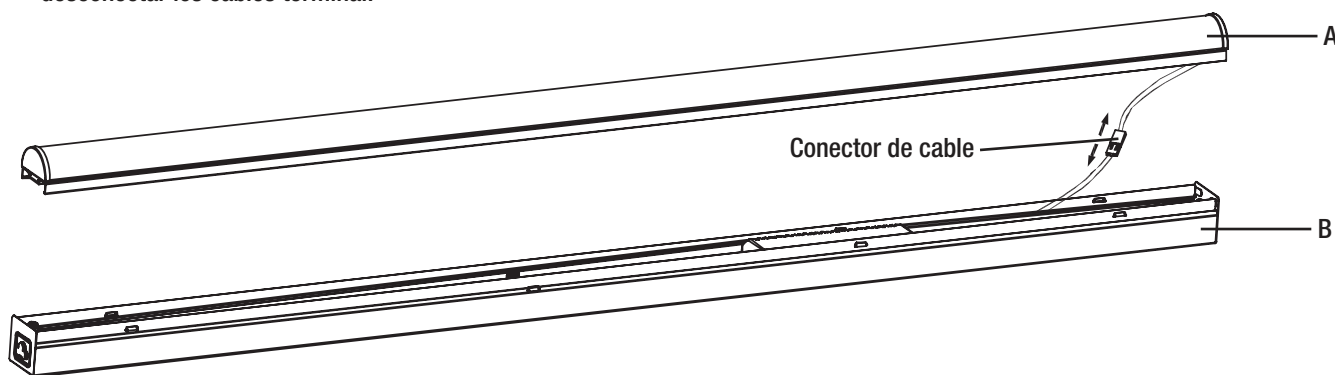
1 Separar el difusor de la caja de la lámpara

- Presione la caja de la lámpara (B) hacia dentro, en la dirección de las flechas, y retire el difusor (A) con la otra mano.



2 Preparar la lámpara para la instalación

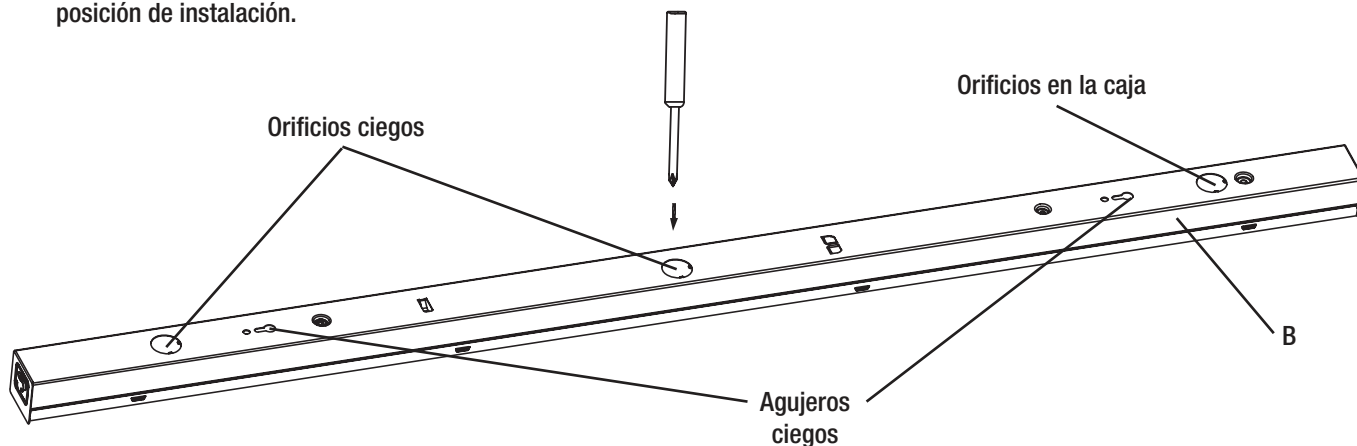
- Después de separar el difusor (A) de la caja de la lámpara (B), desenchufe el conector de cable para desconectar los cables terminal.



Montaje en superficie (continuación)

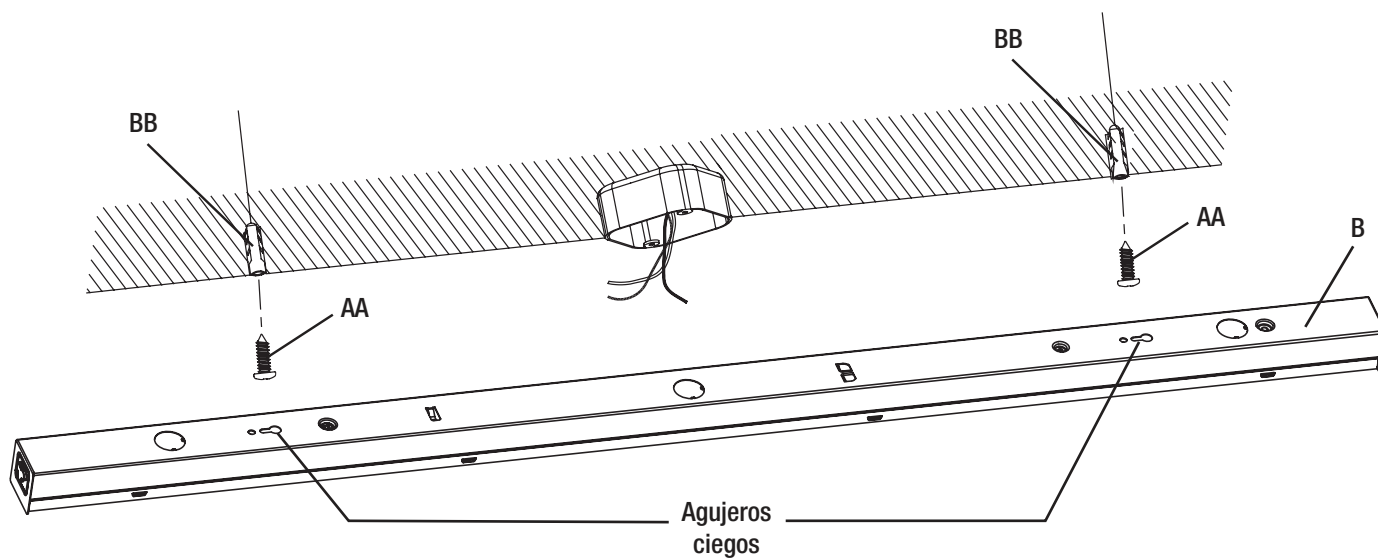
3 Retire uno de los agujeros ciegos en la lámpara

- Sostenga la caja de la lámpara (B) hasta el techo para determinar qué agujero ciego usar para el cableado de la lámpara.
- Marque las dos posiciones de montaje de los agujeros ciegos en el techo.
- Con un destornillador, puntee uno de los agujeros ciegos grandes en la caja de la lámpara (B) para conectar en función de la posición de instalación.



4 Preparar la lámpara para la instalación

- Taladre un orificio piloto de 1/8 pulgadas en los sitios de los tornillos marcados en el techo. También puede usar una lezna o clavo para marcar los orificios de los tornillos.
- Instale un anclaje para picra (BB) y un tornillo de montaje (AA) en cada uno de los orificios, pero no los apriete completamente.



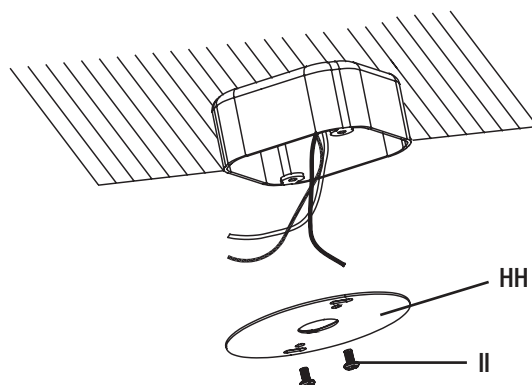
Montaje en superficie (continuación)

5 Fijar la cubierta de la caja eléctrica

- Pase los cables eléctricos de la caja eléctrica a través del centro de la cubierta de la caja eléctrica (HH - no se incluyen).
- Asegure la cubierta (HH - no se incluyen) a la caja eléctrica con los tornillos de caja eléctrica (II - no se incluyen).

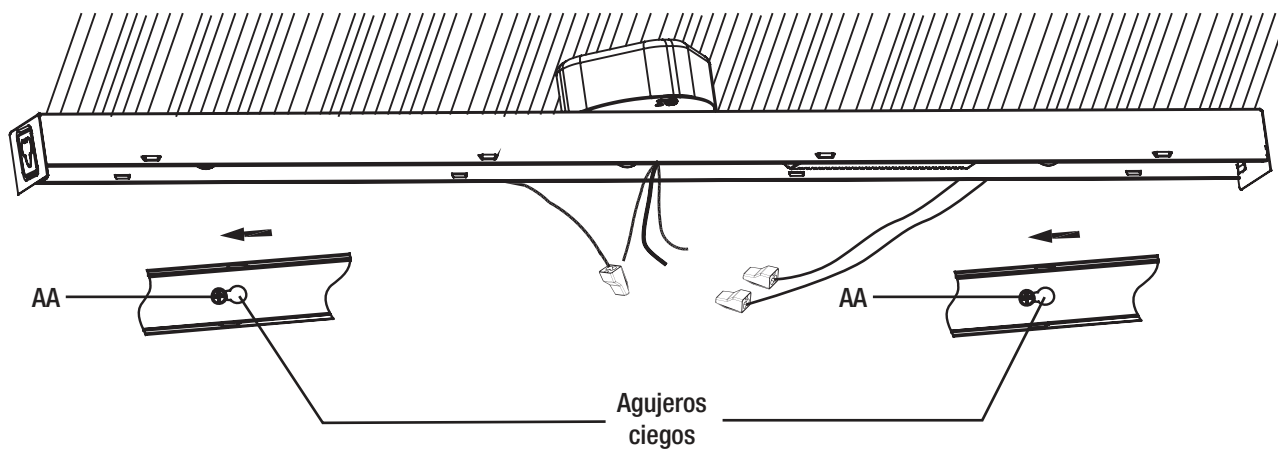


NOTA: El kit de herramientas de instalación en superficie se vende como un accesorio separado. Visite www.HomeDepot.com para obtener más información y para comprar.



6 Fijar la lámpara

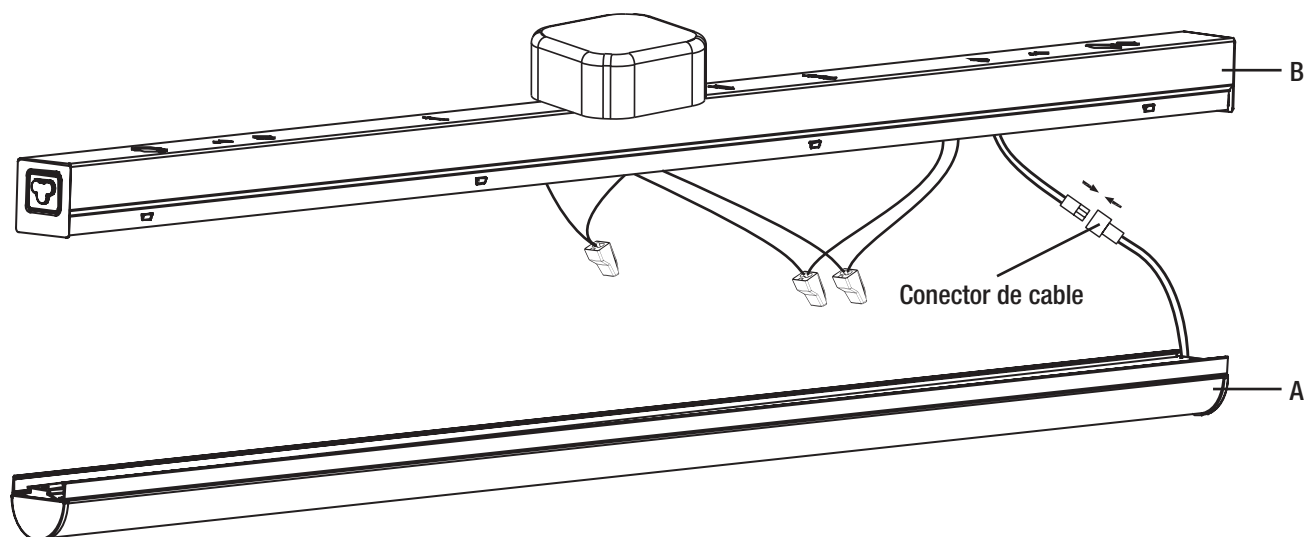
- Pase los cables eléctricos de la caja eléctrica a través del agujero abierto en la caja de la lámpara (B).
- Alinee los agujeros ciegos de montaje que están en la caja de la lámpara (B) con los 2 tornillos (AA) de montaje del techo.
- Una vez que ambas cabezas de tornillos salgan por los extremos grandes de los agujeros, deslice la caja de la lámpara (B) hacia la izquierda hasta que las cabezas de los tornillos (AA) pasen por los extremos angostos de los agujeros.
- Termine de ajustar los tornillos de montaje (AA) hasta que la caja (B) esté segura y fija en la superficie de montaje.



Montaje en superficie (continuación)

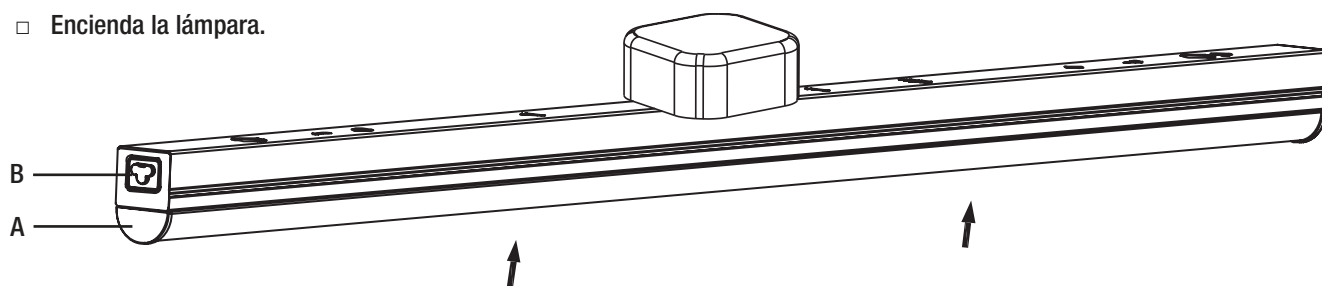
7 Hacer las conexiones eléctricas

- Inserte los cables energizado y neutro (negro y blanco) de la caja eléctrica en los conectores de los cables del mismo color de la carcasa (B).
- Inserte el cable de conexión a tierra de la caja eléctrica en el conector del cable verde de la carcasa (B).
- Vuelva a conectar los cables terminales con el conector de cable adjunto.



8 Finalización de la instalación

- Chasque el difusor (A) en el caja de la lámpara (B).
- Restaure la alimentación de la caja eléctrica.
- Encienda la lámpara.



Instalación suspendida



NOTA: Las diferentes piezas de ferretería (no se incluyen) no se muestran en tamaño real.



NOTA: Al determinar el lugar deseado para el montaje suspendido de la lámpara utilizando el método de instalación enchufable, asegúrese de que la lámpara se encuentra directamente debajo del receptáculo eléctrico y que la distancia entre el receptáculo eléctrico y el extremo de lámpara es inferior a 5 pies.

Para montaje en panel de yeso: Tornillo de fiador x 2



Para montaje en madera: Tornillo de gancho x 2



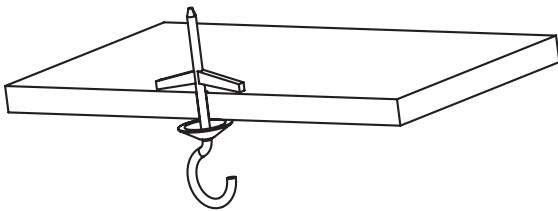
Pieza	Descripción	Cantidad
Tornillo de fiador	Consiste en un tornillo No. 10-24 de 2-7/8 pulgadas de longitud con dos alas abatibles de 1 pulgada por 5/16.	2
Espárragos	Mide 1-3/4 pulgadas en total y tiene 1-1/4 pulgadas de rosca para madera en un extremo y al menos seis roscas No. 10-24 para metal en el otro extremo.	2
Ganchos de metal	Con un agujero roscado No. 10-24 que engancha en las roscas del tornillo.	2



NOTA: Los armellas cerradas se pueden usar como un método alternativo de fijar la lámpara al techo.

1 Instalación sobre panel mural en seco

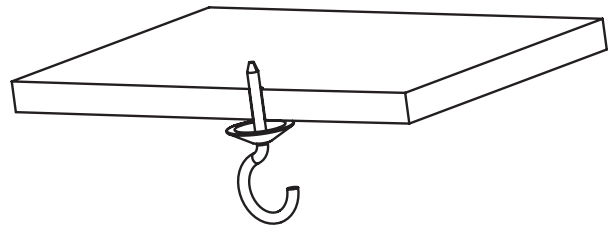
- Taladre dos agujeros lo suficientemente grandes como para que pasen las alas cerradas de la mariposa del tornillo de fiador (no se incluye). Asegúrese de ajustar el tornillo de fiador a la mariposa antes de insertar las alas en el techo.
- Apriete el tornillo de fiador.



NOTA: Si utiliza armellas cerradas en el techo, coloque la cadena con ganchos S.

2 Instalar en el madera

- Taladre dos agujeros de 1/16 pulgadas de diámetro en el techo para ajustar los tornillos de gancho (no se incluyen). Asegúrese de sujetar el espárrago extremo madera – metal en el tornillo de gancho.
- Apriete los tornillos de gancho (no se incluyen) dentro de los espárragos de madera.

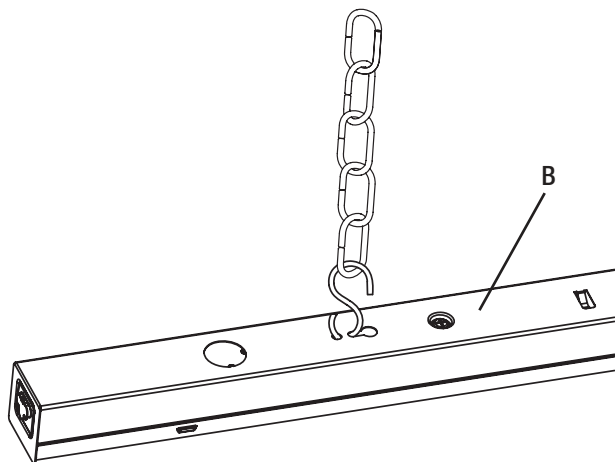


NOTA: Si utiliza armellas cerradas en el techo, coloque la cadena con ganchos S.

Instalación suspendida (continuación)

3 Sujetar la lámpara a la cadena

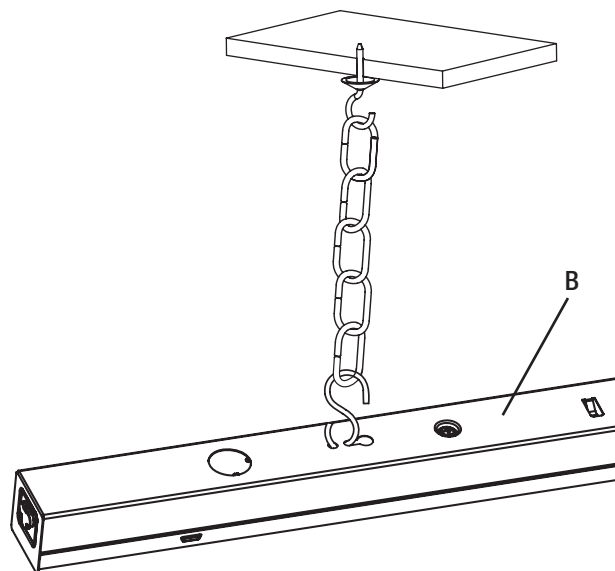
- Coloque el gancho S en la parte inferior de la cadena de suspensión (no incluido) a la caja de la lámpara (B). Repita este paso en el otro lado de la caja.



NOTA: El producto debe ser suspendido usando cadena o cable metálico y ganchos con capacidad de carga superior a 11 lbs (5 kg). Los ganchos S deben ser $\leq 0,1$ pulg. (2,5 mm) para ajustar los agujeros en la caja de la lámpara (B).

4 Sujetar la cadena al techo

- Cuelgue la caja de la lámpara (B) colocando una cadena sobre cada gancho (no incluido) que haya sido instalado en el techo.
- Ajuste las cadenas para nivelar la lámpara.



NOTA: Si utiliza armellas cerradas, se proporcionan ganchos S para fijar la cadena.

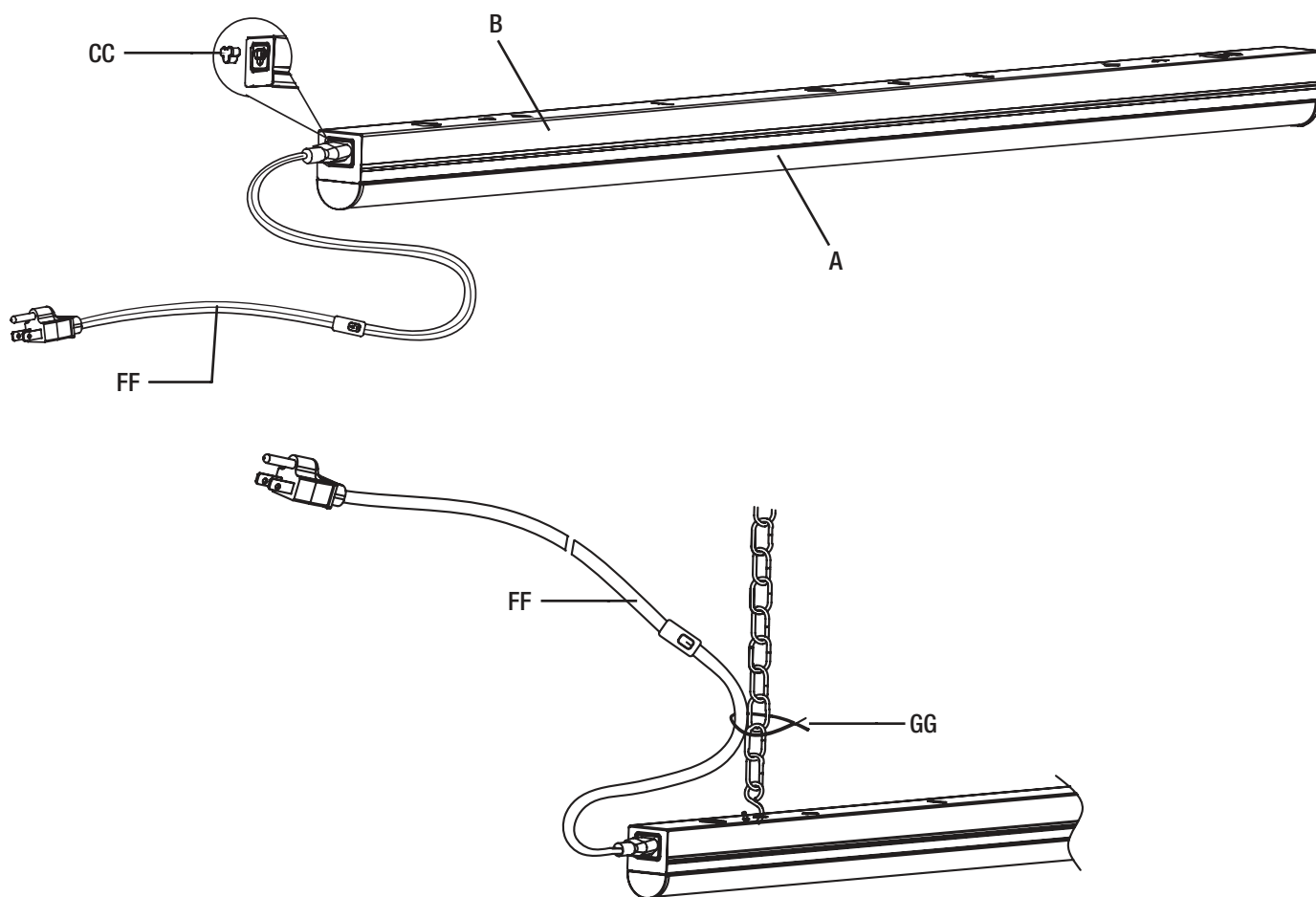
Instalación suspendida (continuación)

5 Enchufar el cable de alimentación



NOTA: Asegúrese de que la distancia entre el receptáculo eléctrico y el extremo de la lámpara es inferior a 5 pies cuando se utiliza el método de instalación enchufable.

- ❑ Retire el tapón de la cubierta final (CC) de la barra de luz LED.
- ❑ Enchufe el cable de alimentación (FF) en el extremo de la caja de la lámpara (B) y luego conecte el otro extremo del cable de alimentación (FF) a un receptáculo eléctrico.
- ❑ Fije el cable de alimentación (FF) al techo utilizando abrazaderas de cable o pasacable (no se incluyen).
- ❑ Adjuntar el cable eléctrico (FF) a la cadena con la corbata de cable (GG) suministrada.
- ❑ Encienda la lámpara.



NOTA: Cuando se utiliza el montaje suspendido mediante el método de instalación enchufable, asegúrese de que la lámpara se encuentra directamente debajo del receptáculo eléctrico y que la distancia entre el receptáculo eléctrico y el extremo de lámpara es inferior a 5 pies.

Función de enlace



ADVERTENCIA: RIESGO DE DESCARGA ELÉCTRICA. Desconecte la energía eléctrica en la barra de luz antes de enlazar otras barras de luz.

- Se pueden conectar múltiples barras, pero solamente la primera barra de luz necesita ser enchufado en un receptáculo eléctrico o directamente conectado a una caja eléctrica.

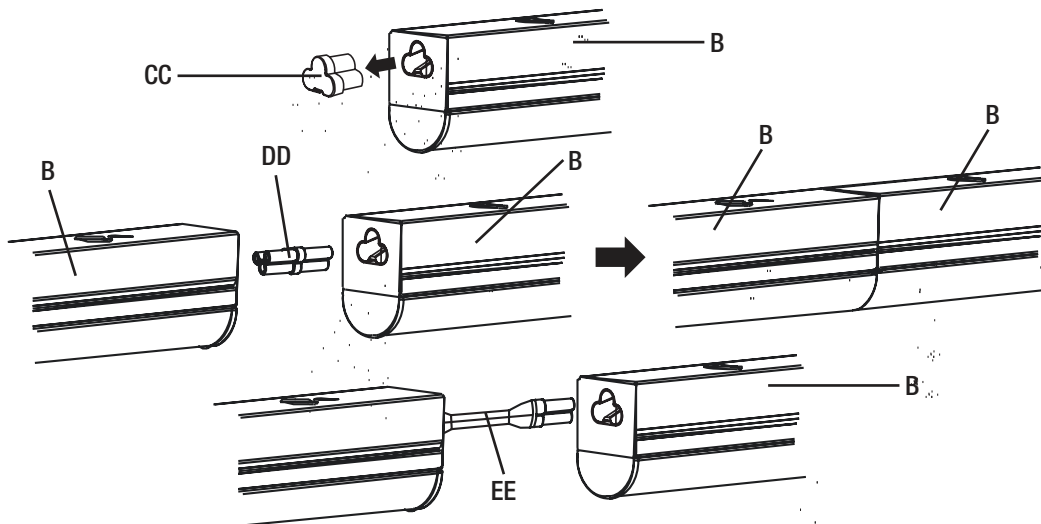


ADVERTENCIA: Proporcionar energía a las barras sólo después de todas las conexiones de enlace se han hecho.

- Retire el capuchón (CC) de un extremo de cada cuerpo de lámpara (B) que se enlace.
- Inserte firmamente el conector de extremo a extremo (DD) o el cordón de conexión (EE) en las tapas extremas de la caja de la lámpara.



NOTA: Cuando utilice el cable de enlace (EE), tenga presente que la distancia máxima entre las dos barras es de 12 pulg. utilizando el cable de enlace (EE) o 5 pies utilizando el cable de enlace de 5 pies (II) disponible como accesorio separado.



ADVERTENCIA: RIESGO DE DESCARGA ELÉCTRICA. Si el receptáculo del extremo del dispositivo no se utiliza para enlazar una otra barra, el receptáculo debe cerrarse con el capuchón de extremos (CC). No toque las piezas con energía eléctrica dentro del receptáculo.

- Conecte hasta un máximo de 30 barras de luz. No exceda de 300 vatios en total para las barras interconectadas. La tabla muestra la cantidad máxima de barras de luz que se pueden conectar, según la potencia.

Modelo #	Longitud	Vatios	Número máximo de barras conectadas
54263211	2 pies (60,9 cm)	10 vatios	30
54261211	4 pies (121 cm)	20 vatios	15



PRECAUCIÓN: Si utiliza un cable de enlace para conectar las barras de luz, fije el cable de enlace al techo usando abrazaderas de cable o pasacable (no incluidos).



PRECAUCIÓN: Por seguridad, las barras de luz enlazables se pueden instalar como cable enchufable o directo, pero nunca una combinación de ambas.

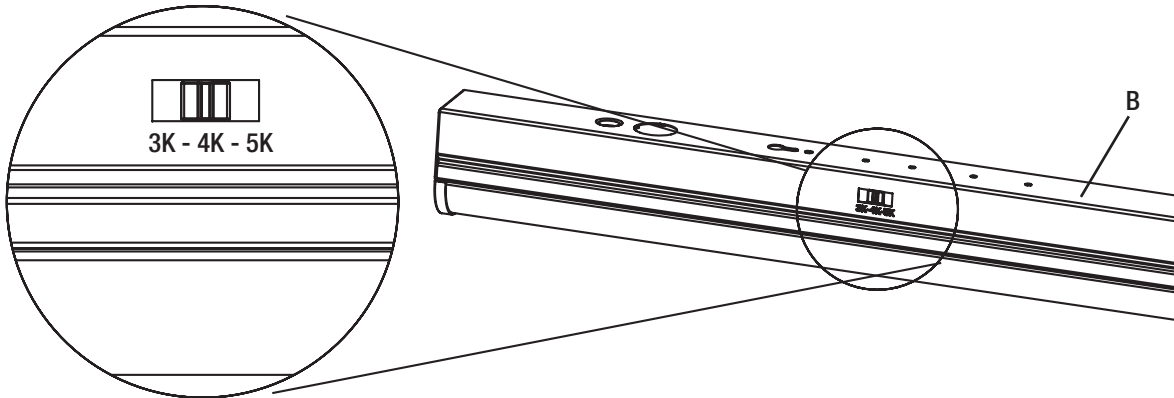
Ajustar la temperatura del color del luz

Este lámpara LED le permite ajustar la temperatura del color de la luz usando tres ajustes: blanco suave, blanco brillante, o luz del día.

- Mueva el conmutador en el cuerpo de la lámpara (B) para elegir su temperatura de color correlacionada (CCT) favorita de entre tres opciones: 3000k Blanco cálida, 4000k Blanco frío, o 5000k Luz del día.



NOTA: El ajuste inicial de la temperatura de color correlacionada (CCT) es 3000K, que es la luz blanca cálida.



Cuidado y limpieza



PRECAUCIÓN: Antes de limpiar la lámpara, desconecte el suministro eléctrico hacia este apagando el cortacircuitos o extrayendo el fusible de la caja de fusibles.

- Limpie la lámpara con un paño suave y seco.
- No utilice limpiadores con productos químicos, solventes o abrasivos.
- No use limpiador líquido en las bombillas LED, en la unidad LED ni en los cables que están dentro de la lámpara.

Solución de problemas



ADVERTENCIA: Antes de realizar cualquier trabajo en la lámpara, desconecte la electricidad que la alimenta.

Los problemas menores pueden arreglarse sin ayuda de un electricista.

Problema	Posible causa	Medida correctiva
La lámpara no enciende.	El suministro eléctrico está cortado.	Asegúrese de que el suministro eléctrico esté activado.
	El interruptor está apagado.	Asegúrese de que el interruptor esté en la posición de encendido.
	Hay una mala conexión.	Revise para asegurarse de que se hayan conectado los cables de forma correcta. Comuníquese con un electricista calificado.
	Hay un interruptor defectuoso.	Comuníquese con un electricista calificado.
El fusible se quema o salta el interruptor cuando se enciende la lámpara.	Los cables están cruzados o el cable de suministro eléctrico no está puesto a tierra.	Verifique las conexiones de los cables. Comuníquese con un electricista calificado o llame al Centro de Atención al Cliente de Commercial Electric 1-877-527-0313.



**¿Preguntas, problemas, piezas faltantes? Antes de devolver el producto a la tienda,
llame al Centro de Atención al Cliente de Commercial Electric en el horario de
8 a.m. – 7 p.m., Hora del Este de EE.UU., de lunes a viernes.
9 a.m. – 6 p.m., Hora del Este de EE.UU., sábados.**

1-877-527-0313

HOMEDEPOT.COM

Conserve este manual para uso futuro.