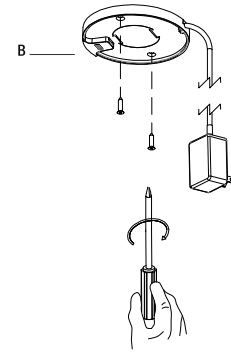


Installation - Option 1 (As an under cabinet light)

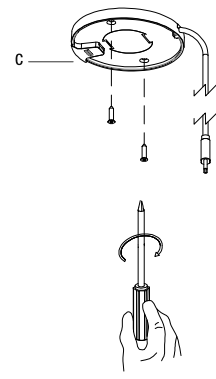
1 Installing the charging base with plug-in adapter

- Attach the charging base with adapter (B) to the desired surface and mark the screw locations, make sure the adapter is able reach to your socket.
- Pre-drill holes in the mounting surface with a 1/16 in. (1.5mm) drill bit.
- Install the charging base with adapter (B) to the underside of the cabinet by inserting two mounting screws (AA) into the mounting holes on the bottom of the charging base with adapter (B).



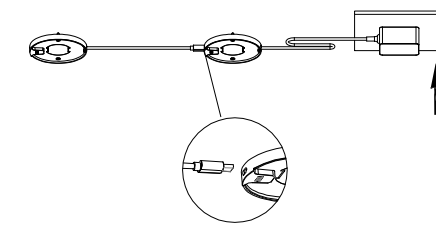
2 Installing 2nd charging base with wire only

- Repeat the step1 to install the charging base (C).
- NOTE:** Make sure the distance between charging base (C) and charging base with adapter (B) is 2 ft.



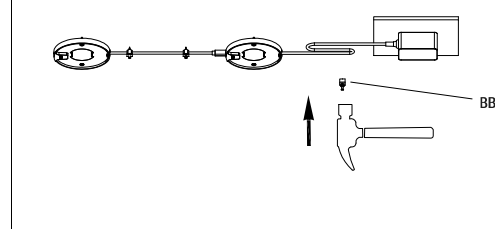
3 Connecting the charging base

- Connect the charging base together with Type C connector, and plug the adapter to the socket.



4 Secure the wires

- Use included wire fasteners (BB) to attach wire to cabinet.

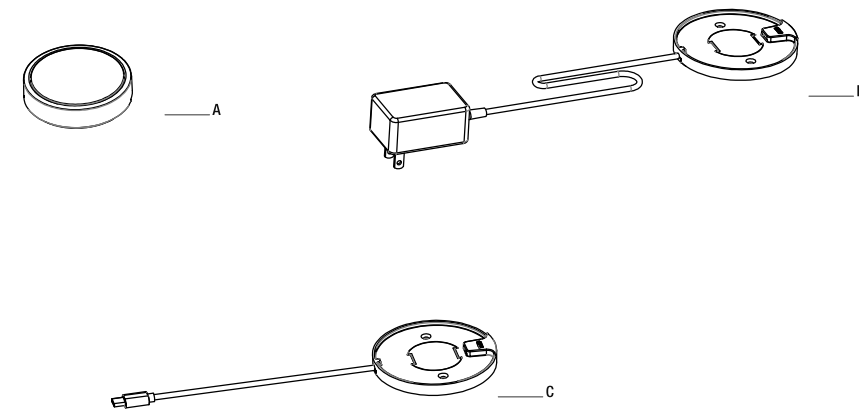


5

HOMEDEPOT.COM
Please contact 1-877-527-0313 for further assistance.

Pre-installation (continued)

PACKAGE CONTENTS



Part	Description	Quantity
A	Light Fixture	2
B	Charging base with adapter	1
C	Charging base	1

4

Warranty

LIMITED WARRANTY

The manufacturer warrants this product to be free from defects in materials and workmanship for a period of three (3) year from date of purchase. This warranty applies only to the original consumer purchaser and only to products used in normal use and service. If this product is found to be defective, the manufacturer's only obligation, and your exclusive remedy, is the repair or replacement of the product at the manufacturer's discretion, provided that the product has not been damaged through misuse, abuse, accident, modifications, alterations, neglect or mishandling. This warranty shall not apply to any product that is found to have been improperly installed, set-up, or used in any way not in accordance with the instructions supplied with the product. This warranty shall not apply to a failure of the product as a result of an accident, misuse, abuse, negligence, alteration, or faulty installation, or any other failure not relating to faulty material workmanship. The manufacturer specifically disclaims any liability and shall not be liable for any consequential or incidental loss or damage, including labor/expense costs involved in the replacement or repair of said product.

Contact the Customer Service Team at 1-877-527-0313 or visit HOMEDEPOT.COM.

Pre-installation

PLANNING INSTALLATION

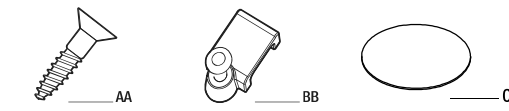
Read all instructions completely before you begin installation.

TOOLS REQUIRED



HARDWARE INCLUDED

NOTE: Hardware not shown to actual size.



Part	Description	Quantity
AA	Mounting screw	4
BB	Fastener	5
CC	Mounting metal sheet	2

3

HOMEDEPOT.COM
Please contact 1-877-527-0313 for further assistance.

Table of Contents

Table of Contents.....	2	Installation - Surface Mounting.....	5
Safety Information.....	2	Installation - Recessed Mounting.....	7
Warranty.....	3	Direct Wire Installation (optional).....	7
Planning Installation.....	3	Installing the Quick Connector Plug (optional).....	7
Tools Required.....	3		
Hardware Included.....	3		
Package Contents.....	4		

Safety Information

- Read all instructions carefully before you begin this installation.
- This equipment has been tested and found to comply with the limits for a Class B digital device, pursuant to part 15 of the FCC Rules. These limits are designed to provide reasonable protection against harmful interference in a residential installation. This equipment generates, uses and can radiate radio frequency energy and, if not installed and used in accordance with the instructions, may cause harmful interference to radio communications.
- There is no guarantee that interference will not occur in a particular installation, if this equipment does cause harmful interference to radio and television reception, which can be determined by turning the equipment off and on, the user is encouraged to try to correct the interference by one or more of the following measures: a) Reorient or relocate the receiving antenna, b) Increase the separation between the equipment and the receiver, c) Connect the equipment into a different outlet and circuit from the receiver outlet and circuit, d) Consult the dealer or an experienced radio/TV technician for help.
- Change or modification to this unit not expressly approved by the party responsible for compliance could void the user's authority to operate the equipment.
- Rated at DC 5V, 1.3 W x 2.

- WARNING:** Deviation from the assembly instructions may result in a risk of fire or electric shock.
- CAUTION:** The National Electrical Code (NEC) does not permit cords to be concealed where damage to insulation may go unnoticed. To prevent fire danger, do not run the cord behind walls, ceilings, soffits, or cabinets where it may be inaccessible for examination. Cords should be visually examined periodically and immediately replaced when any damage is noted.
- CAUTION:** For indoor and dry location use only.
- CAUTION:** To reduce the risk of fire, electric shock, or injury to persons use only insulated staples or plastic ties to secure cords. Route and secure cords so that they will not be pinched or damaged when the cabinet is pushed to the wall.
- CAUTION:** Do not operate the fixture with a missing or damaged cover or housing.
- CAUTION:** Not intended for recessed installation in ceilings, or soffits.
- CAUTION:** The LED source cannot be replaced.
- CAUTION:** Do not mount this fixture near heat sources which may damage this fixture.
- CAUTION:** Do not stare directly into the LED source.
- CAUTION:** Do not dismantle or alter this fixture.
- CAUTION:** To prevent electric shock, match wide blade of plug to wide slot.

Supplier's Declaration of Conformity
47 CFR § 2.1077 Compliance
Information
Unique Identifier: 23212KIT-WH
Responsible Party:
Buckingham
7390 McGinnis Ferry Road
Suite 200
Suwanee, GA 30024
Tel: 678-765-2995

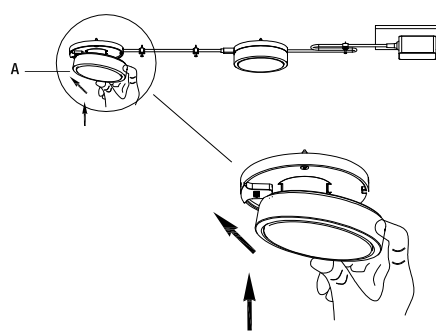
2

Installation - Option 1 (As an under cabinet light) Continued

5 Installing the puck light

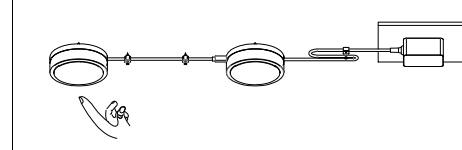
- Install the light (A) into the charging base.

NOTE: The charging base has a tab, when installing the puck, you will need to insert the left side first.



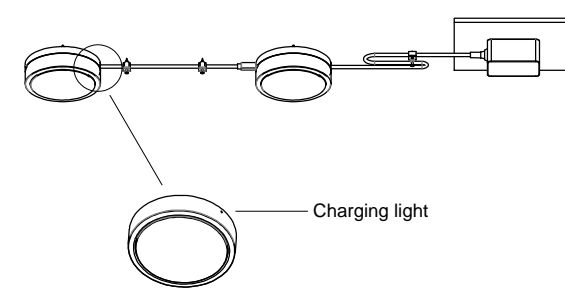
6 Turn the light ON/OFF

- Push one of the lenses to control the ON/OFF for both puck lights.



7 Charging the light

- When the light is on the charging base, it will always be charging.
- The charging light is red during charging and will be green when fully charged.

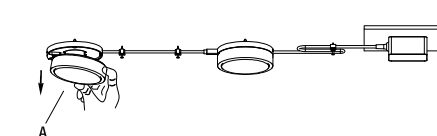


6

Installation - Option 2 (As a work light)

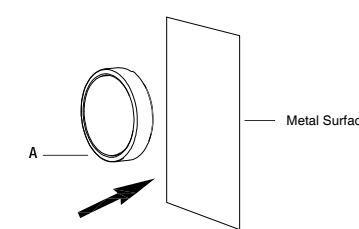
1 Preparing the light

- Bring down the light (A) from the charging base, or bring the light from the package.



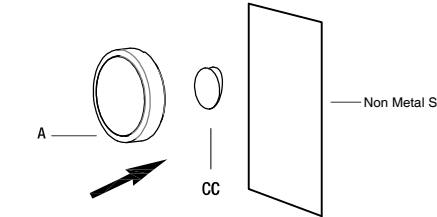
2 Installing the lights to a Metal surface

- Installing light (A) to a metal surface, the metal mounting clips are not needed. The bottom of each light is magnetic so it will adhere to most metal surfaces.



3 Installing the lights - Non Metal Surface

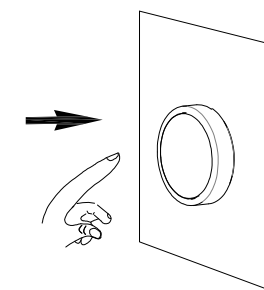
- Install the metal mounting clips using the double sided tape attached in the mounting metal sheet.
- Attach light to the mounting metal sheet.



7

4 Turn ON/OFF the light

- Push the lens to turn ON/OFF the light.



Commercial Electric™

Questions, problems, missing parts? Before returning to the store, call Commercial Electric Customer Service
8 a.m. – 7 p.m., EST, Monday - Friday, 9 a.m. - 6 p.m., EST, Saturday

1-877-527-0313

HOMEDEPOT.COM

Retain this manual for future use.

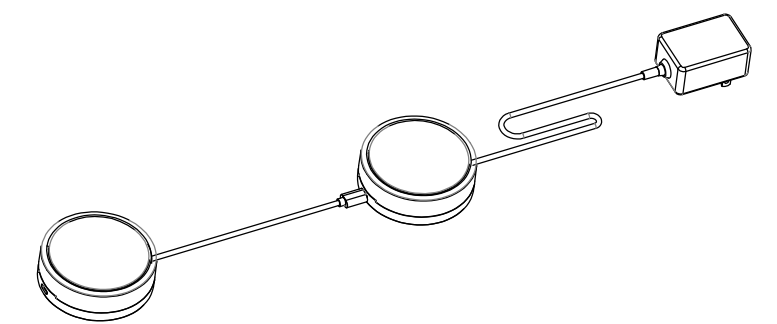
Commercial Electric™

SKU # 1011848722

Model# 23212KIT-WH

USE AND CARE GUIDE

2-LIGHT RECHARGEABLE PUCK LIGHT (WHITE FINISH)



Questions, problems, missing parts? Before returning to the store, call Commercial Electric Customer Service
8 a.m. – 7 p.m., EST, Monday - Friday, 9 a.m. - 6 p.m., EST, Saturday

1-877-527-0313

HOMEDEPOT.COM

THANK YOU

We appreciate the trust and confidence you have placed in Commercial Electric through the purchase of this Rechargeable puck light. We strive to continually create quality products designed to enhance your home. Visit us online to see our full line of products available for your home improvement needs. Thank you for choosing Commercial Electric!