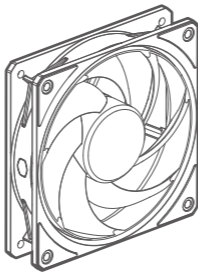




**MOBIUS 120 BLACK EDITION**  
**MOBIUS 120P ARGB**  
**MOBIUS 120P ARGB WHITE EDITION**  
**USER MANUAL**

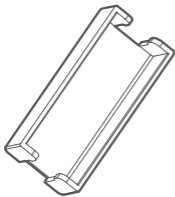
# 01. PACKAGE CONTENT

**A**



X1

**B**



ONLY ARGB  
X1

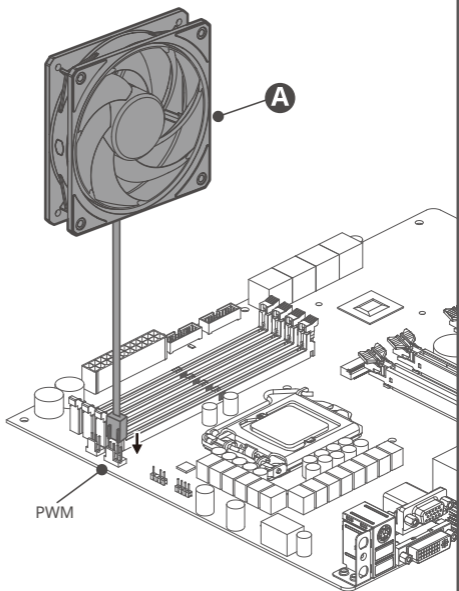
**C**



X4

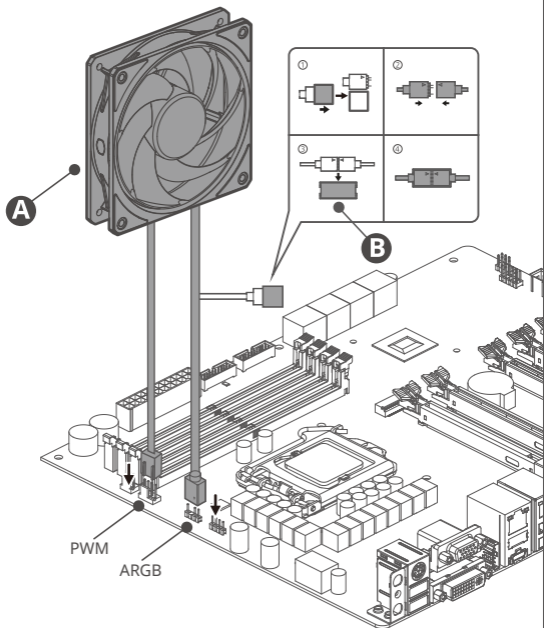
## 02. CONNECT MOTHERBOARD

### MOBIUS 120 BLACK EDITION

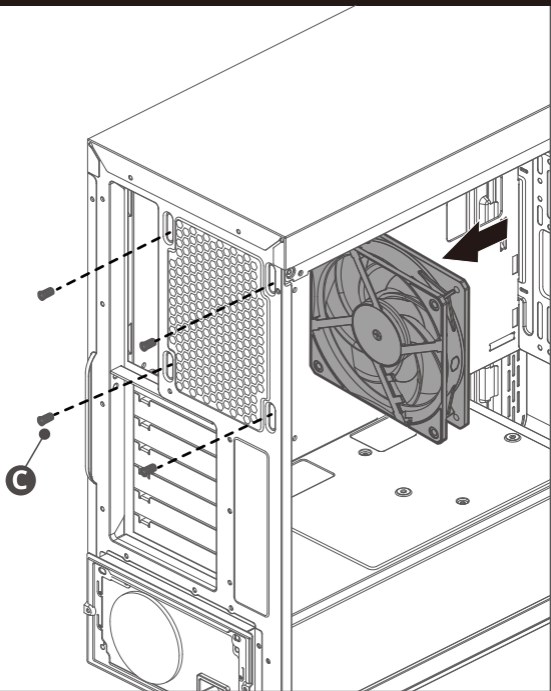


# 03. CONNECT MOTHERBOARD

MOBIUS 120P ARGB / MOBIUS 120P ARGB WHITE EDITION



## 04. FAN INSTALLATION



Please visit our website at [www.coolermaster.com](http://www.coolermaster.com)

**China - Cooler Master China**

Room 112, Building 9, No. 327, Songjin Road, Jinshanwei Town,  
Jinshan Dist., Shanghai City, China  
Tel: +86-21-51872177

**Europe - Cooler Master Europe B.V.**

Lodewijkstraat 1b, 5652AC Eindhoven, The Netherlands  
Tel: +31- (0)40-702-0900

**North America - Cooler Master NA**

1 N Indian Hill Blvd Suite D200 Claremont, CA 91711 U.S.A.  
Tel: +1-888-624-5099

For the most updated information, please visit our official website:  
[www.coolermaster.com /](http://www.coolermaster.com/)  
Cooler Master Support: <https://account.coolermaster.com/>



V1.0 2024/10

©2024 Cooler Master Technology Inc. All Rights Reserved. All trademarks are registered to their respective owners.