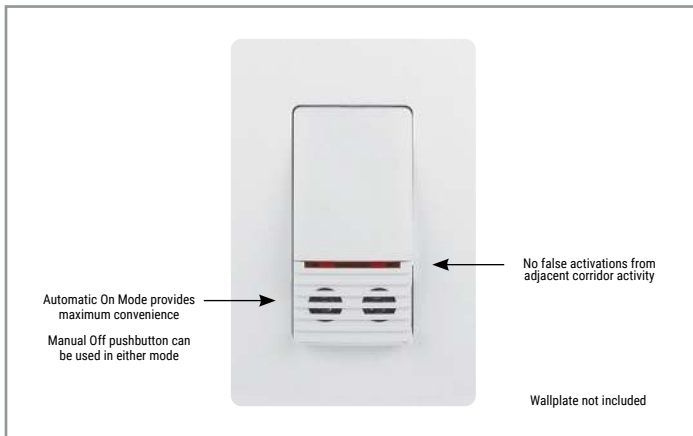


Project		Catalog #		Type	
Prepared by		Notes		Date	



Greengate

OSW-U Wall Switch Ultrasonic Occupancy Sensor (120/277V)

The self-contained OSW-U-0721-MV is an energy-saving, motion sensing lighting control that replaces a conventional wall switch and utilizes ultrasonic technology to detect room motion.

Typical Applications

Offices • Conference rooms • Board rooms • Utility rooms

Product Certification



Product Features



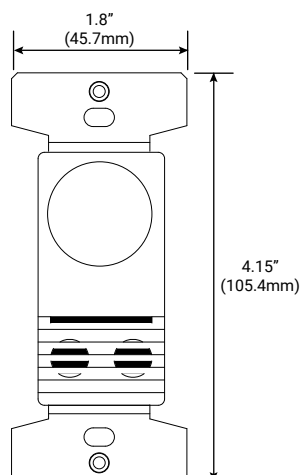
Interactive Menu

- Order Information [page 2](#)
- Additional Resources [page 3](#)
- Wiring Diagrams [page 3](#)
- Product Warranty

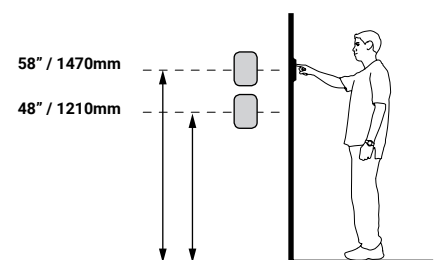
Top Product Features

- 120 and 277V in the same unit
- No minimum load requirement
- Air-gap switch ensures no leakage current to load
- Complete no gap coverage
- NEMA WD7 Guide robotic method utilized to verify coverage patterns
- Wall switches are ideal for smaller spaces where you will not have obstructions of line-of-sight due to switch location, room orientation or furniture placement

Dimensional Details



Mounting Height



[additional product diagrams](#)

Order Information

Wallplate not included

Catalog Number

Catalog Number	Ratings	Coverage	Voltage	Color
OSW-U-0721-MV- * (*-W, V, A)	Incandescent: 0-800W @ 120V Fluorescent: 0-800W @ 120V Fluorescent: 0-1200W @ 277V Max Load/Relay	180°; 500 sq. ft.	120/277 VAC 60 Hz	W=White, V=Ivory, A=Almond
				Notes Not all colors are available in stock and some color options may have extended lead times.

Product Specifications

Technology

- Ultrasonic (US)

Mechanical

Mounting Plate Dimensions: 4.15"H x 1.94"W (10.54cm x 4.92cm)

Product Housing Dimensions: 2.73"H x 1.8"W x 1.8"D (6.93cm x 4.57cm x 4.57cm)

Environment:

- **Operating temperature:** 60° F - 80°F (15°C - 26°C)
- **Relative humidity operating:** Less than 95%, non-condensing
- For indoor use only

Housing: Durable, injection molded housing. ABS resin complies with UL 94V-0

Mounting: Fits in a standard 3.5" deep back box

Electrical

Electrical ratings:

- 120 VAC:
 - Incandescent/Tungsten
 - Max. load: 6.7 amps, 800W, 60 Hz
 - Motor Load: 1/4HP @ 125 VAC
- 277 VAC:
 - Fluorescent/Magnetic Ballast –
 - Max. load: 4.3 amps, 1200W, 60 Hz
 - Motor Load: 1/4HP @ 125 VAC

Ballast Compatibility:

- Compatible with magnetic ballasts

Hardware Specifications

Status Indicators: Red LED for Ultrasonic detection

Controls and Performance

Time delays:

- 15 seconds to 15 minutes

Operating modes:

- Automatic On/Automatic Off
- Manual On/Automatic Off

Shut off delay:

- Adjustable 30 sec. - 15 min.

Standards/Ratings

- cULus Listed

Warranty

Five year warranty standard

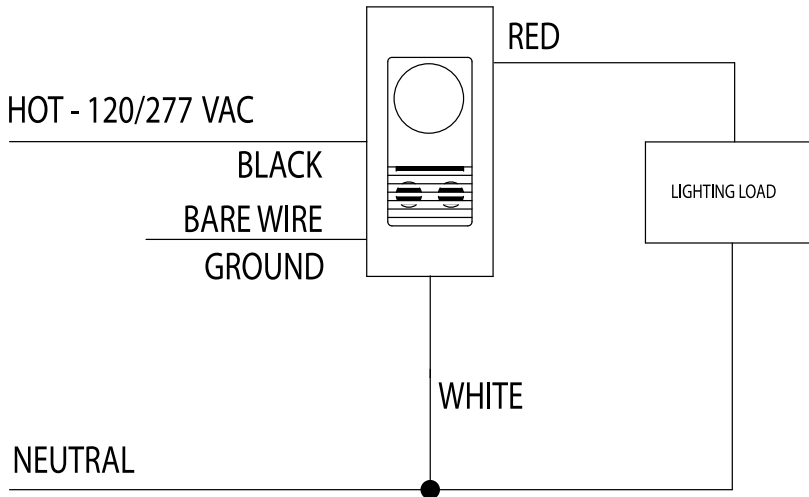
Overview

The sensor produces a low-intensity, inaudible sound to detect occupancy in a room. Changes in the sensor's acoustic wave caused by motion, such as walking into a room, reaching for a telephone or swiveling in a chair, will cause the lights to turn ON. The sensor does not respond to audible sound. In the Automatic On Mode, lights will turn ON automatically when a person enters the room. In Manual On Mode, lights are turned ON by pressing the touchplate at the top of the switch. When the room is vacated, lights turn OFF automatically after the programmed time delay. An air-gap switch ensures no leakage current to load for maximum product reliability

Wiring Diagrams

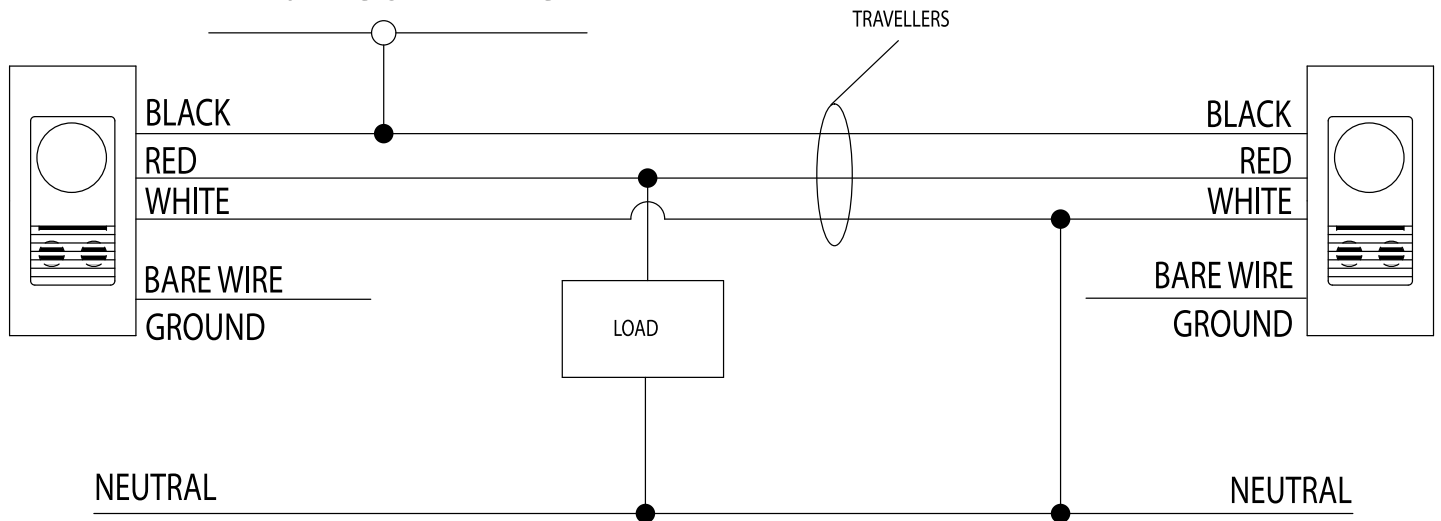
Single-Pole Wiring Diagram FLR, LED

Single level switching



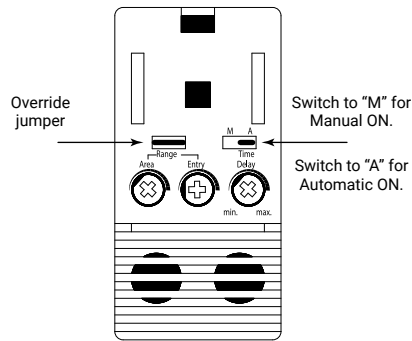
3-Way Wiring Diagram FLR, LED

120 VAC or 277 VAC



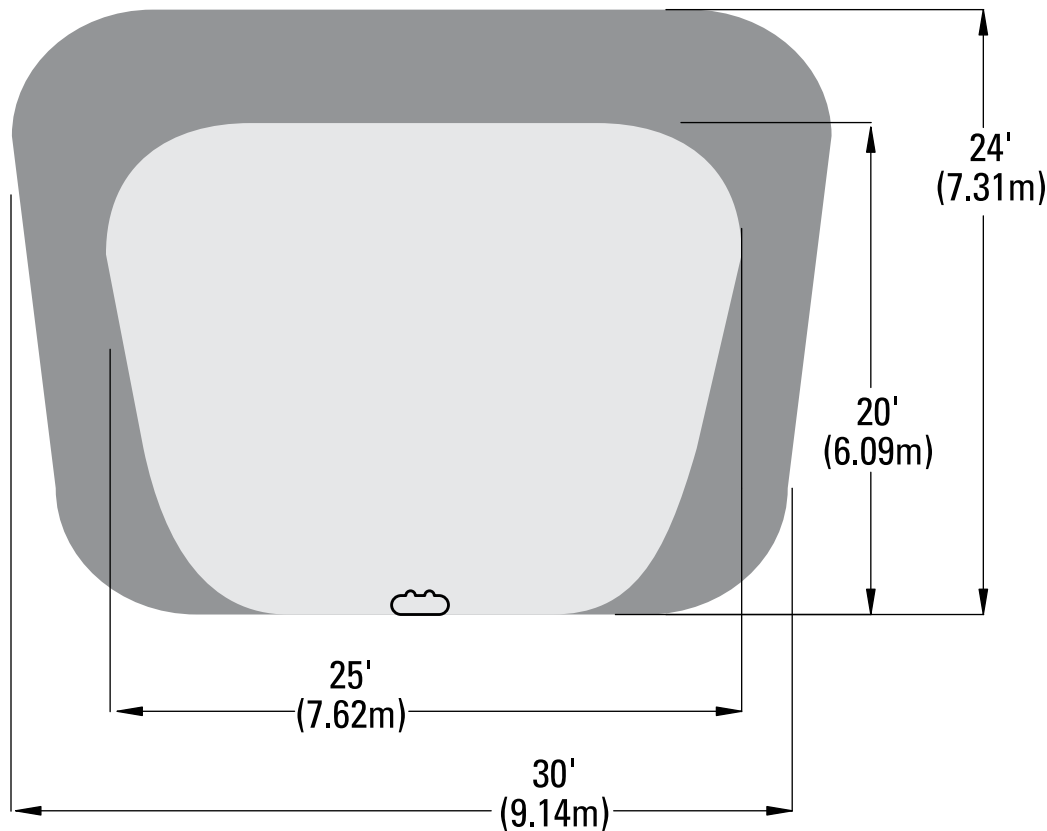
For 3-way applications Do Not exceed the load ratings of a single switch.
Load rating can not be doubled!

Controls



Field of View

The OSW-U-0721 series has a coverage range of 180°, a minor motion coverage area of approximately 300 sq. ft., and a maximum coverage area of approximately 500 sq. ft. Maximum coverage area may vary somewhat according to room shape and the presence of obstructions.



Control Systems

- Greengate