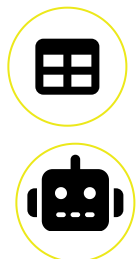




MANUAL | QUICK START GUIDE

CORSAIR iCUE LINK RX RGB

PWM FANS



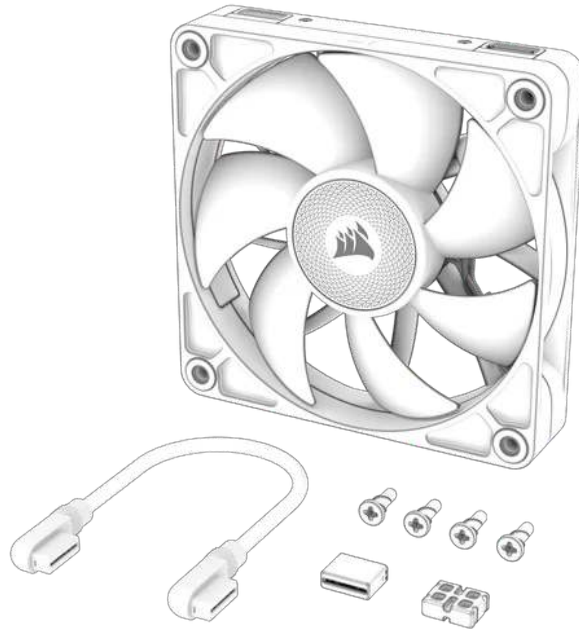
CONTENTS

Expansion Fan

120mm Starter Kit

140mm Starter Kit

Expansion Fan

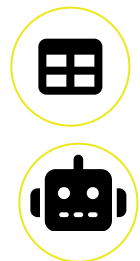


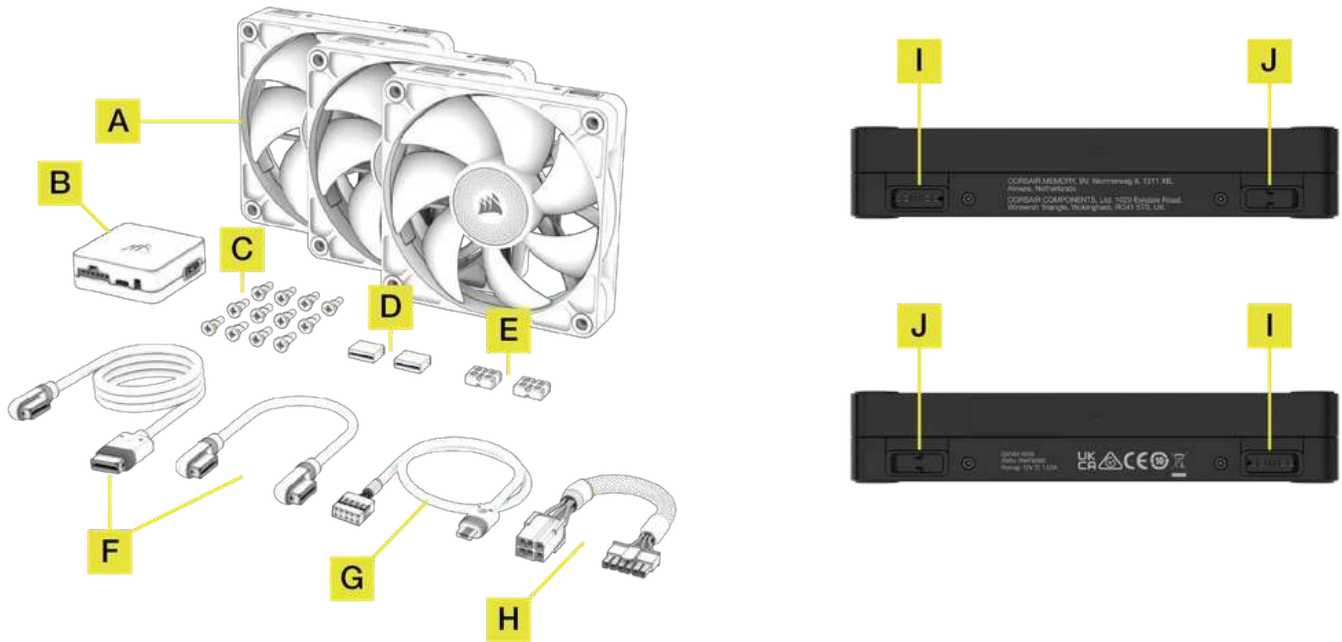
- One (1) fan
- Two (2) connectors
- Four (4) QuikTurn mounting screws

120mm Starter Kit

140mm Starter Kit

GETTING TO KNOW YOUR RX RGB



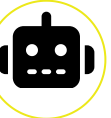


- A. iCUE LINK RX RGB fan
- B. iCUE LINK System Hub
- C. QuikTurn mounting screws
- D. Active bridge connector
- E. Passive connector
- F. iCUE LINK cable
- G. Micro-USB cable
- H. Power cable
- I. Active port
- J. Passive port

GETTING TO KNOW YOUR RX RGB

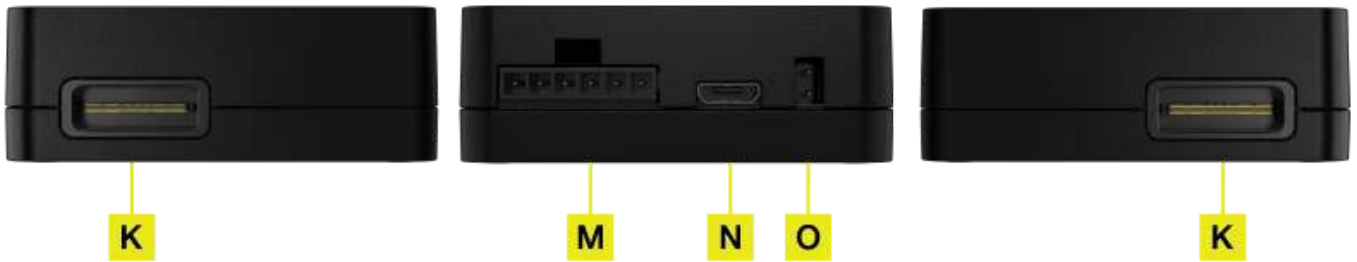


The pre-installed decorative plate on RX RGB is detachable. The fan can be used with or without the decorative plate depending on your preference.





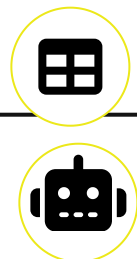
GETTING TO KNOW YOUR SYSTEM HUB



- I. Active port
- K. Power input
- L. USB input
- M. Tach output

FAN INSTALLATION

BEFORE YOU START





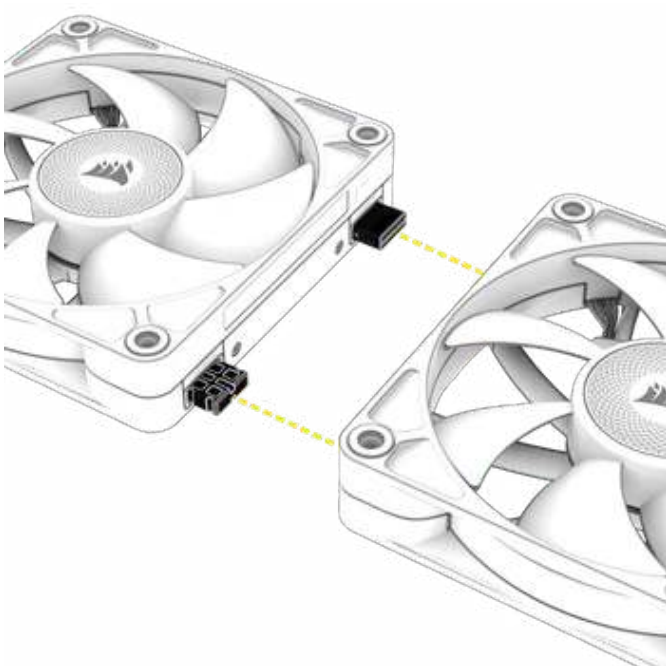
To ensure proper operation, keep the active ports free of any foreign objects/materials. Please use the RX RGB and accessories as defined in this document.



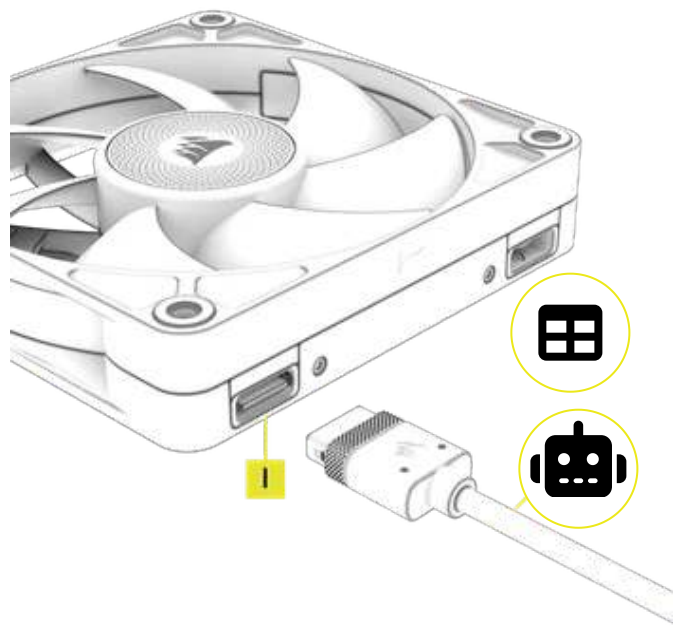
Turn the computer off prior to the installation of the RX RGB and accessories.

STARTER KIT

This section will provide a brief guide on how to install your RX RGB Starter Kit.



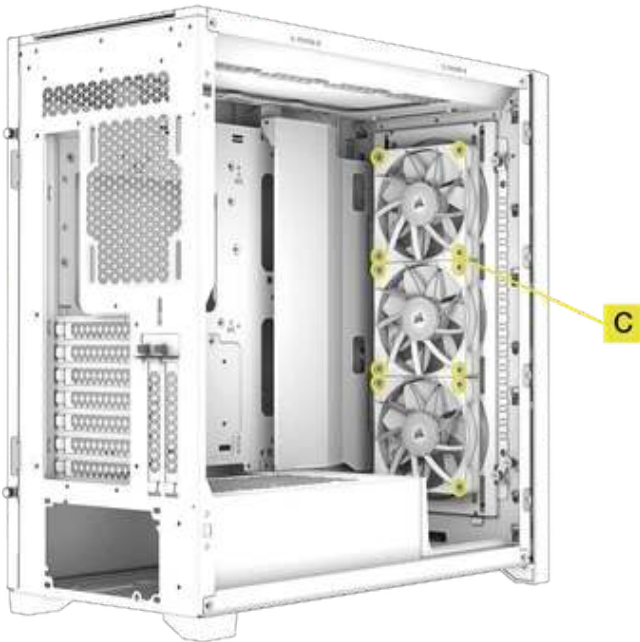
Create or add into a Fan Group



Set up the RX RGB fan group

Connect the RX RGB fan into an existing fan group by aligning and inserting the connectors into the open active (I) and passive ports (J).

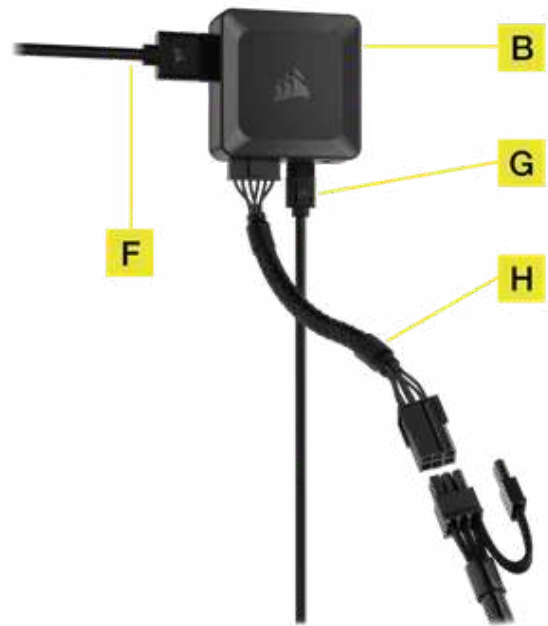
After connecting your RX RGB fans together, insert the iCUE LINK cable (F) into an open active port (I) on your RX RGB fan.



Install RX RGB inside the case

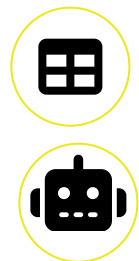
Mount the RX RGB fans onto your case with the supplied QuikTurn mounting screws (C).

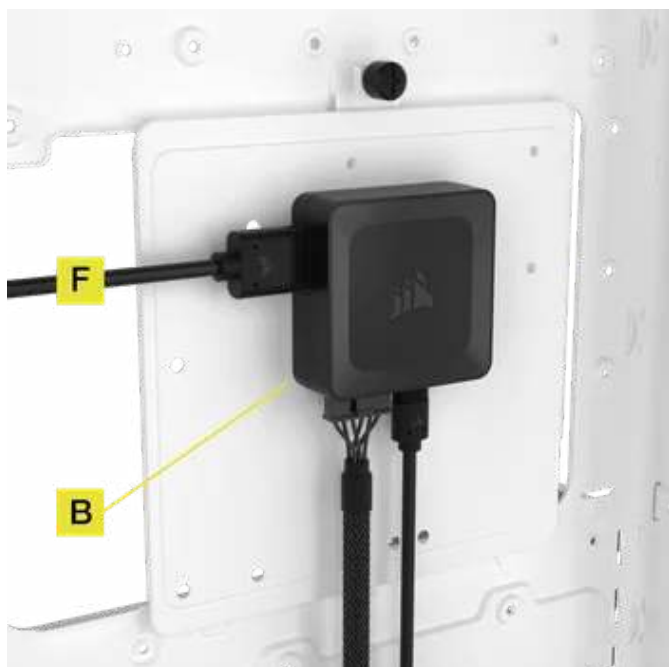
Please note that QuikTurn screws thread much faster than traditional self-tapping screws; we advise hand tightening QuikTurn screws with a screwdriver only to avoid over threading your RX RGB fans.



Connect fan to iCUE LINK System Hub

Connect the power cable (H), Micro-USB cable (G), and iCUE LINK cable (F) into the System Hub (B), then connect the power cable (H) and Micro-USB cable (G) into your power supply and motherboard, respectively.



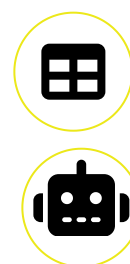


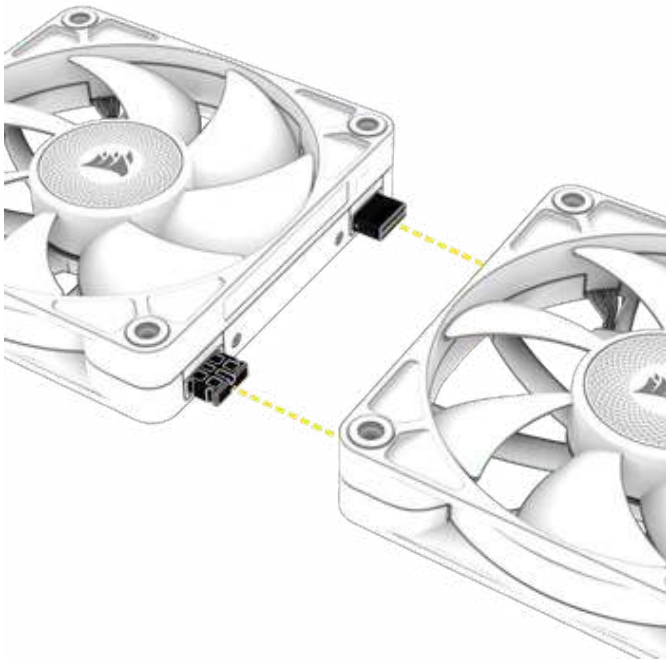
Mount iCUE LINK System Hub to your case

The iCUE LINK System Hub (**B**) can be magnetically mounted on a steel chassis or adhered to a surface with the supplied mounting tape.

EXPANSION FAN

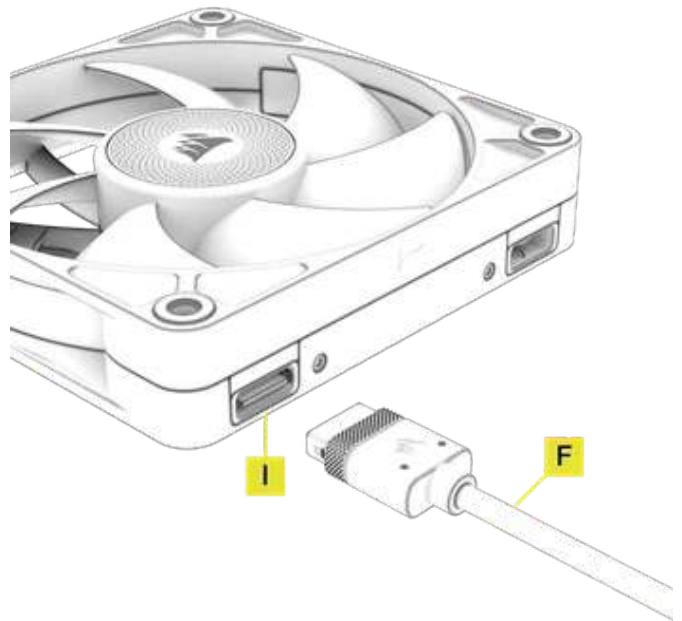
This section will provide a brief guide on how to install your RX RGB Expansion Fan.





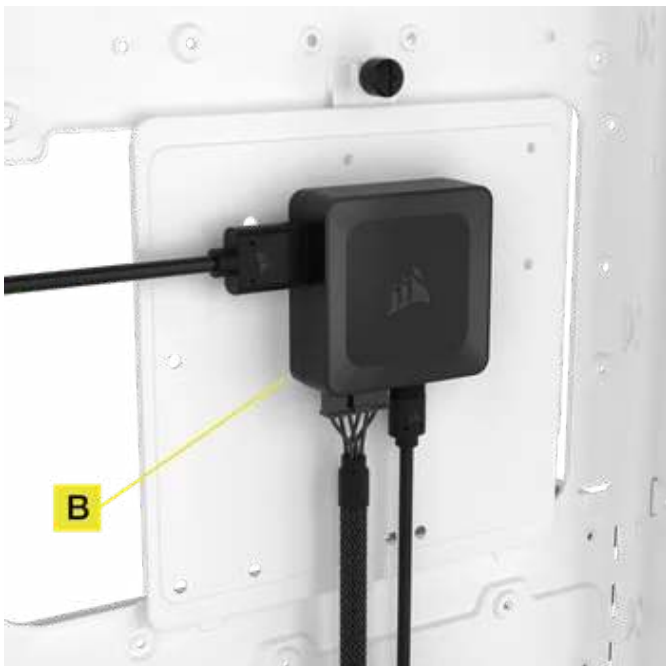
Create or add into an existing fan group

Connect the RX RGB Expansion fan into an existing fan group by aligning and inserting the connectors into the open active (I) and passive ports (J).



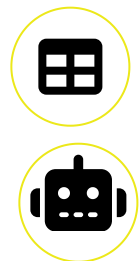
Connect RX RGB to an iCUE LINK System Hub

Insert the iCUE LINK cable (F) into an open active port (I) on your RX RGB fan.



Connect fan to iCUE LINK System Hub

Connect the iCUE LINK Cable (F) into an available active port (I) on the iCUE LINK System Hub (B - sold separately).



SOFTWARE SETUP

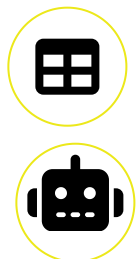
1. Install iCUE

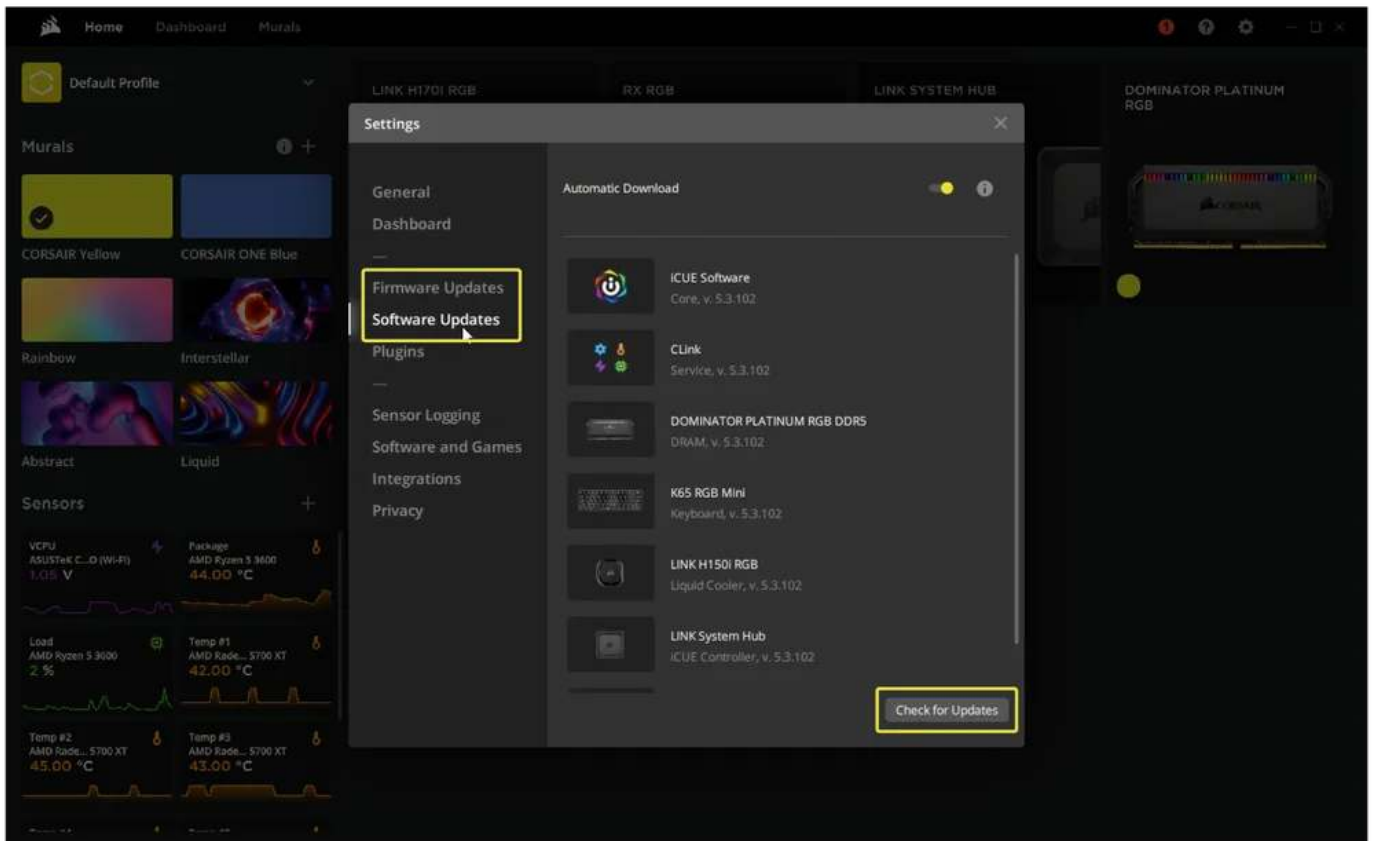
[Learn more and download the latest CORSAIR iCUE software](#)



2. Update iCUE

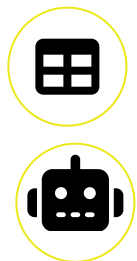
- Once iCUE is installed, run the software. If a newer iCUE version is available or if any of the connected devices need a firmware update, you will be prompted to perform an update via a notification in the top right corner. You can also click the settings (cog wheel icon in the top right corner) and check for the software and firmware updates manually.

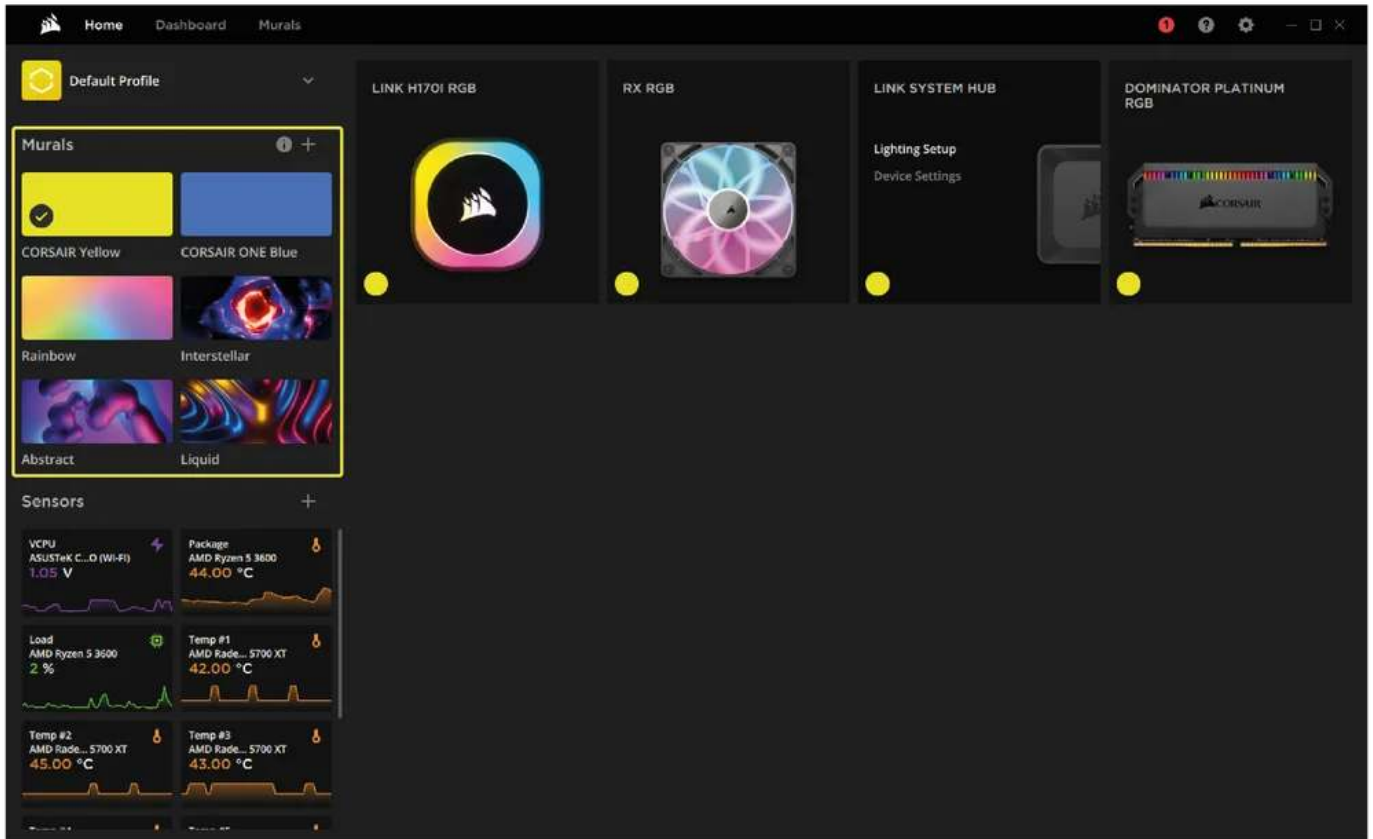




3. Quick Lighting Setup

- Select the predefined Murals effects from the iCUE Home screen to quickly change the lighting effects.

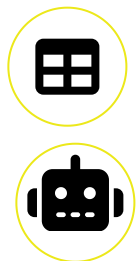


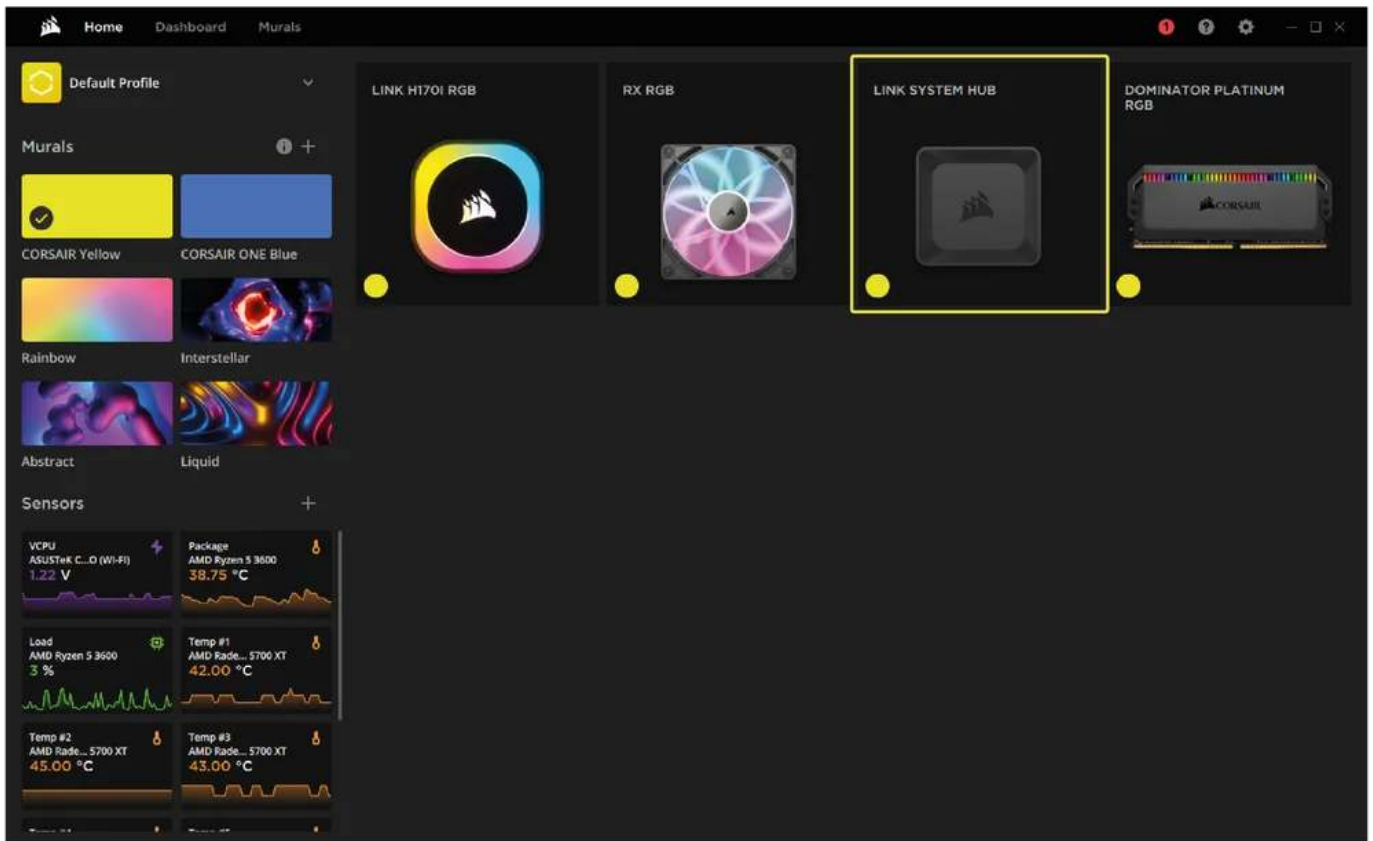


4. Configure iCUE - Fan Setup

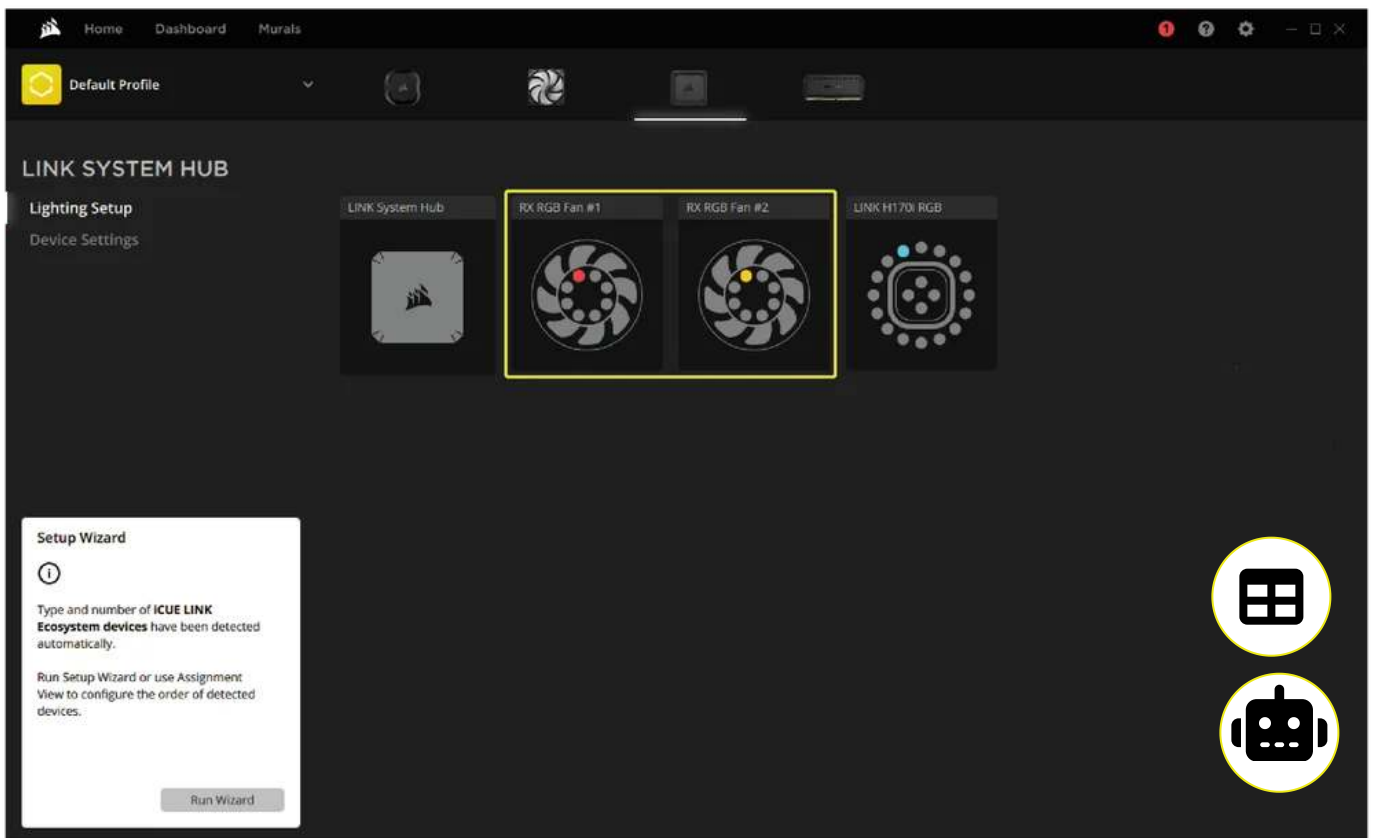
The Setup page will display all RX RGB fans connected to the System Hub and allow you to re-order them to better match the physical placement inside your system.

- Mouseover the LINK System Hub tile and select Lighting Setup.





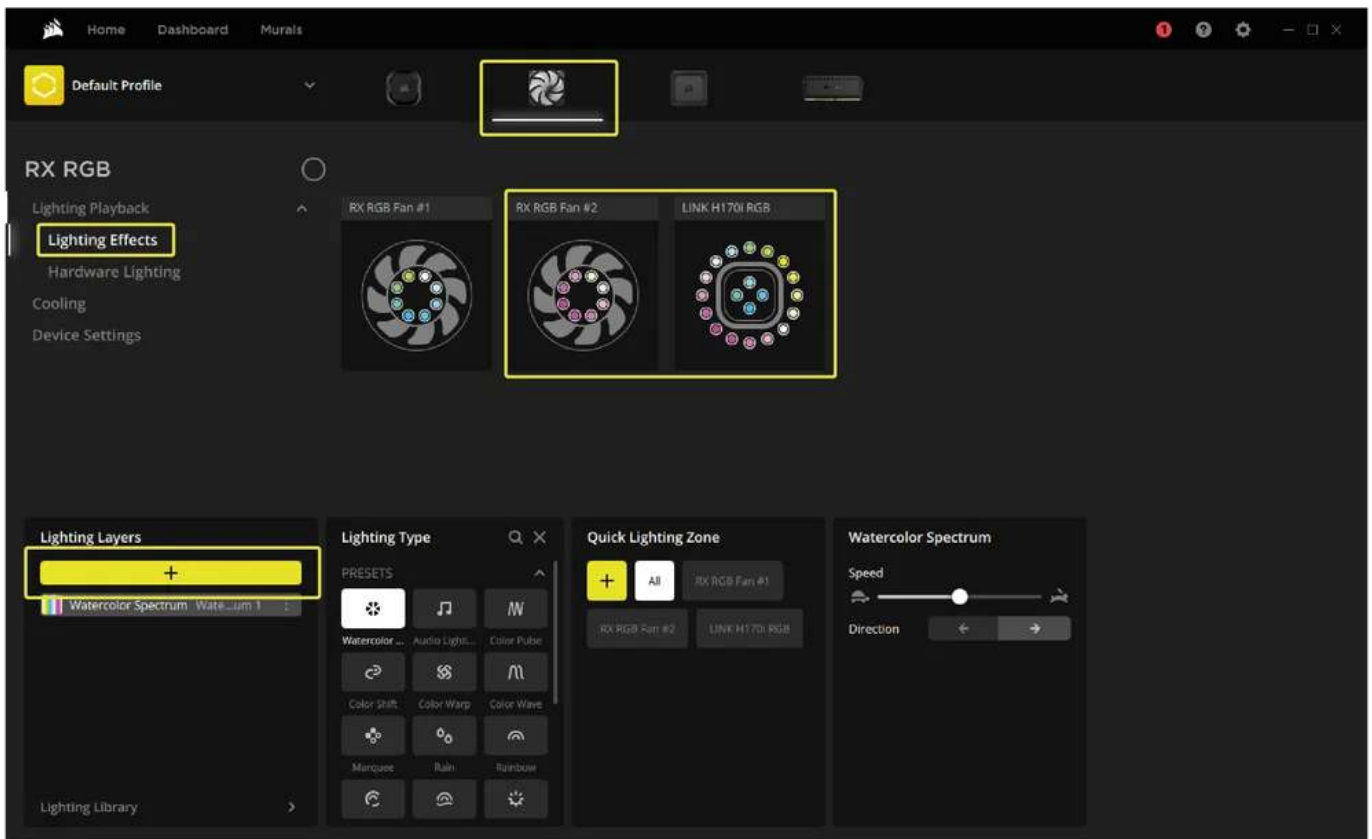
- Select the RX RGB under Lighting Setup to re-arrange your fans.



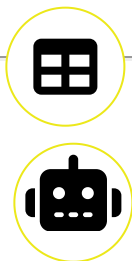
5. Configure iCUE - Fan Lighting

Choose your desired lighting animation from several pre-defined lighting effects.

- Select RX RGB from the navigation bar.
- Click “Lighting Effects” to access the lighting effects page and select the desired lighting effect.
- Click the “+” icon under “Lighting Layers” to add additional lighting effects.



6. Configure iCUE - Fan Performance



Select your desired fan curve presets between Quiet, Balanced, Extreme, or create your own curve.

- Select the RX RGB from the navigation bar.

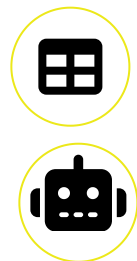
- Click “Cooling” to access the fan performance page.
- Select the desired fan curve preset for each fan.
- ... or click the “+” icon under “Cooling Presets” to create a custom fan curve.



7. Additional Setup

[Visit our CORSAIR LAB for additional iCUE setup, configuration and tips.](#)

POWER RATING



System Hub Output rating: 12Vdc 7A (per port)

RX120 RGB Input rating: 12Vdc 0.66A

RX140 RGB Input rating: 12Vdc 0.7A (no load)

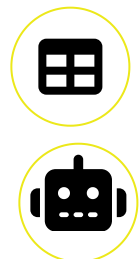
WARRANTY



iCUE LINK RX RGB Series fans have a 5-year warranty.

LEGAL

© 2024 CORSAIR MEMORY, Inc. All rights reserved. CORSAIR and the sails logo are registered trademarks of CORSAIR in the United States and/or other countries. All other trademarks are the property of their respective owners. Product may vary slightly from those pictured.



Get special offers, exclusive product news, and event info straight to your inbox.

SIGN UP



SHOP

- New Products
- Special Offers
- Corsair.com Exclusives
- Where to buy
- Certified Refurbished
- Business Solutions

EXPLORE

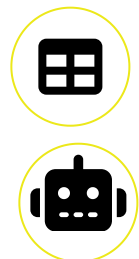
- PC Builder
- CORSAIR Innovation
- Design Your Loop
- Best Gaming Accessories
- Intel 14th Generation Upgrades
- AMD AM5 Upgrades
- DDR5 Memory
- Ambassadors

CORSAIR

- About
- Investor Relations
- Supply Chain Disclosure
- Careers
- Social Impact
- Press Room
- Contact Us
- Explorer

SUPPORT

- Downloads
- Customer Support
- Warranty
- Shipping/RMA>Returns
- Terms of Sale



Copyright © 1996 - 2024 CORSAIR. All rights reserved.