

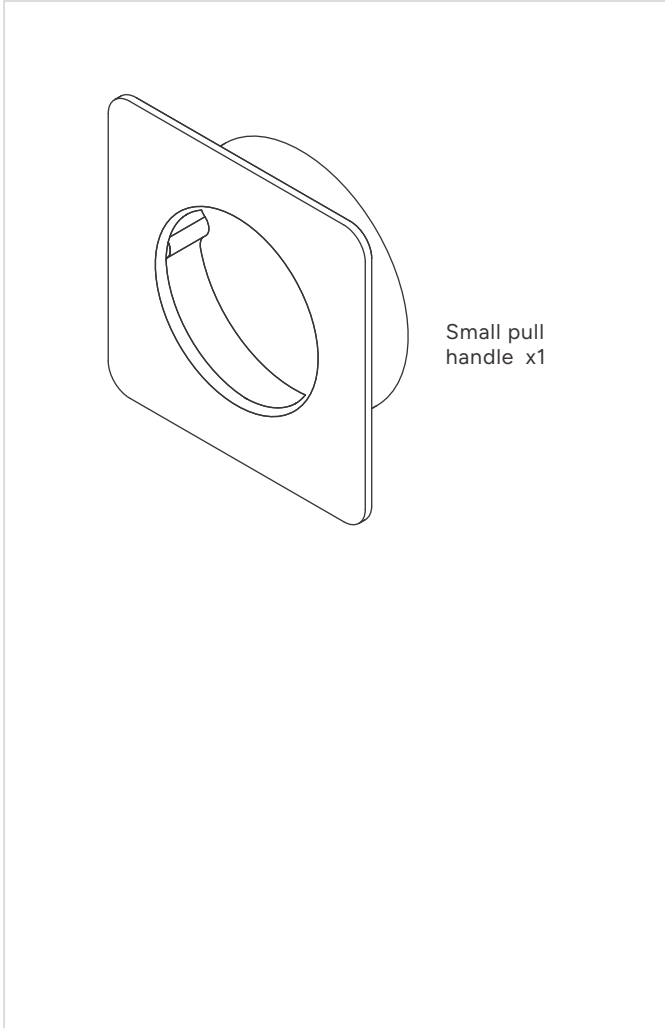
Regent recessed door furniture & hook lock

INSTRUCTIONS

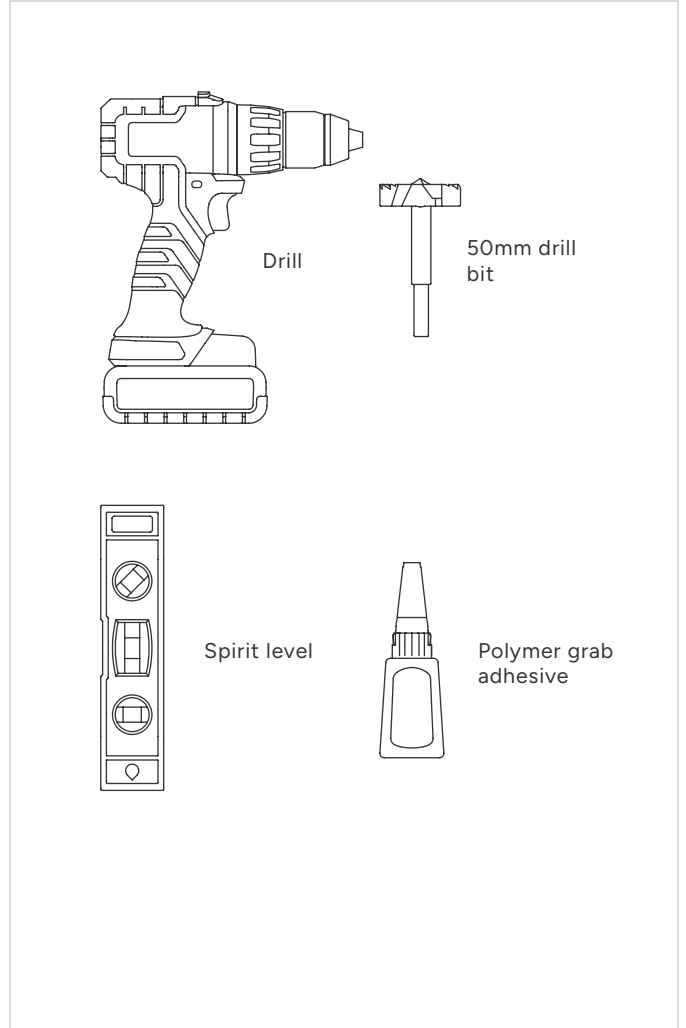
Small pull handle	1
Medium pull handle	3
Edge pull handle	5
Thumbturn & hook lock	7

Small pull handle

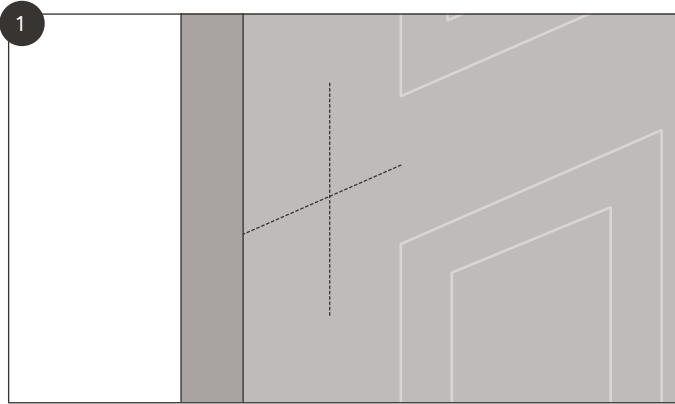
INCLUDED



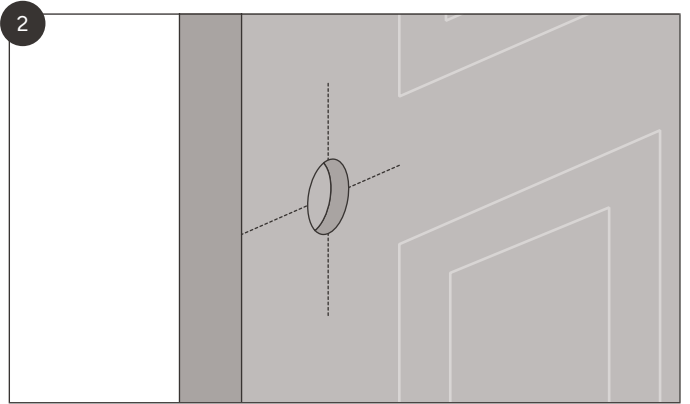
TOOLS YOU'LL NEED



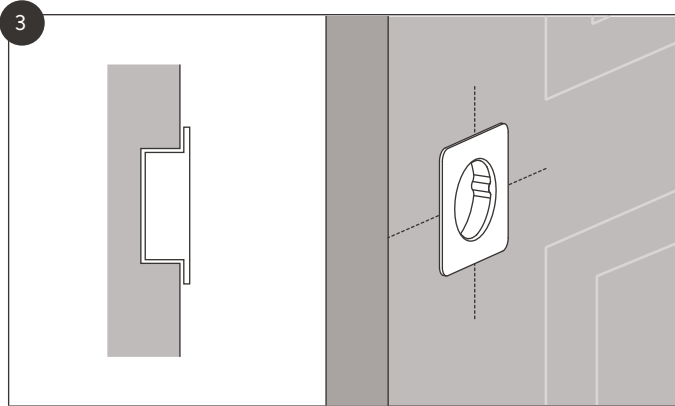
Small pull handle



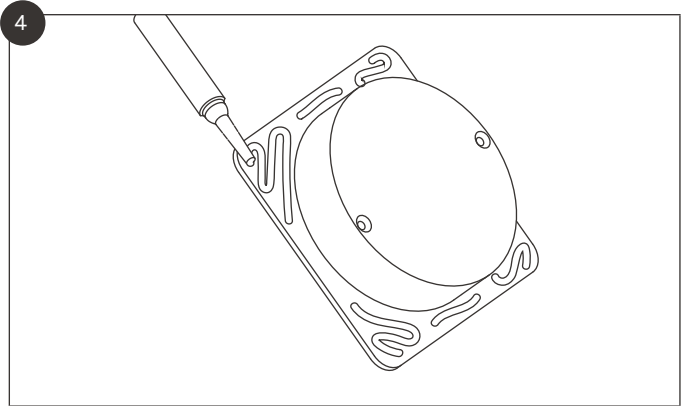
1 Mark the position of the handle on the door.



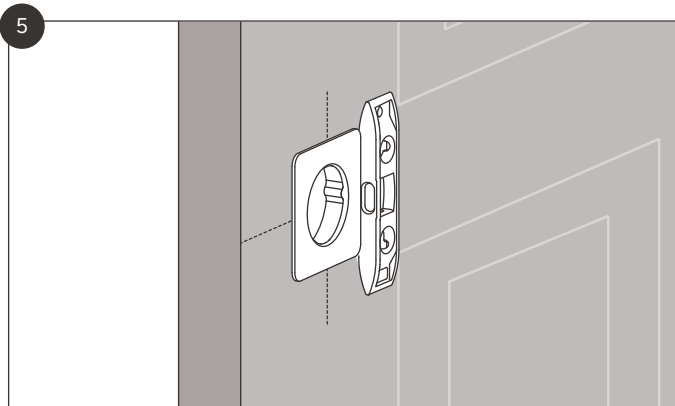
2 Drill a hole 50mm in diameter and 14mm deep.



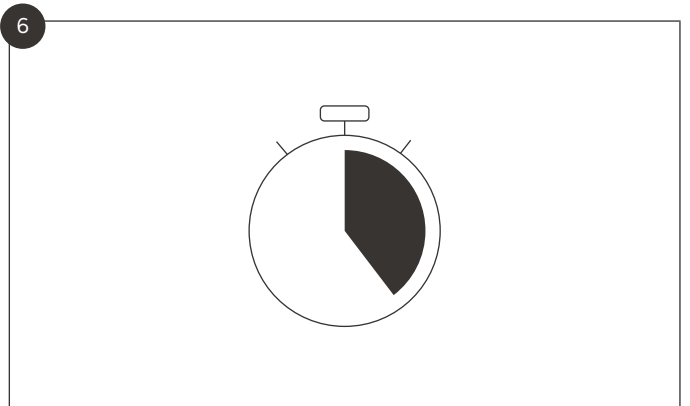
3 Test the handle in the recess, making sure it sits flush with the door.



4 Apply the adhesive to the back of the handle.



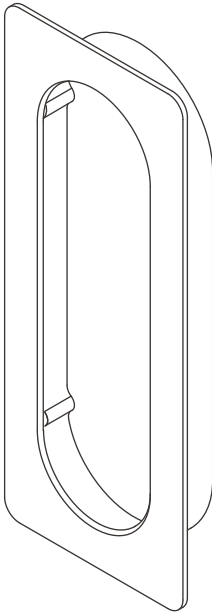
5 Carefully insert the handle into the hole, making sure it's level. Quickly wipe off any excess adhesive.



6 Leave the adhesive to cure for the length of time specified by the manufacturer.

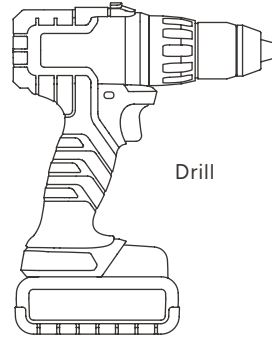
Medium pull handle

INCLUDED

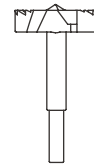


Medium pull handle x1

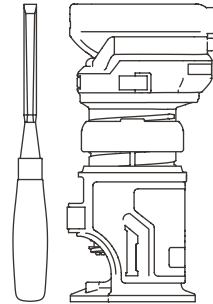
TOOLS YOU'LL NEED



Drill



50mm drill bit



Chisel or router

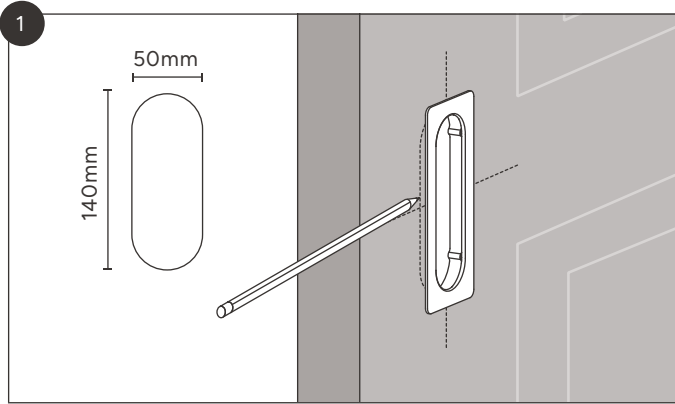


Spirit level

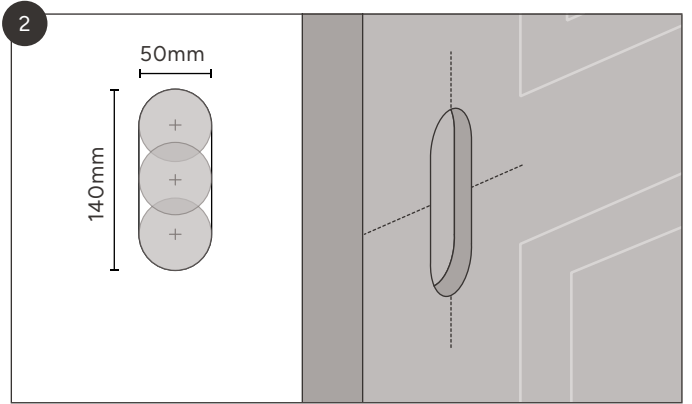


Polymer grab adhesive

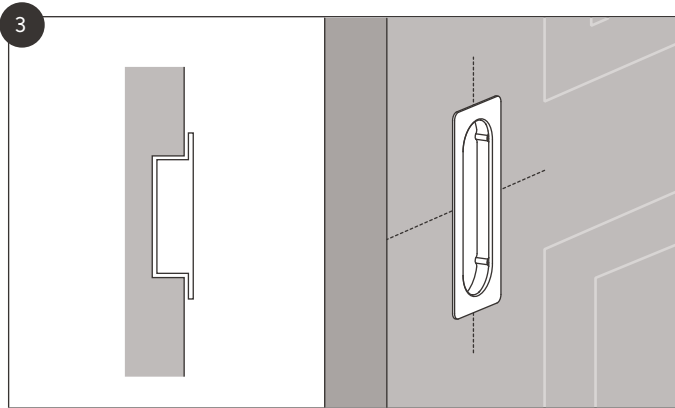
Medium pull handle



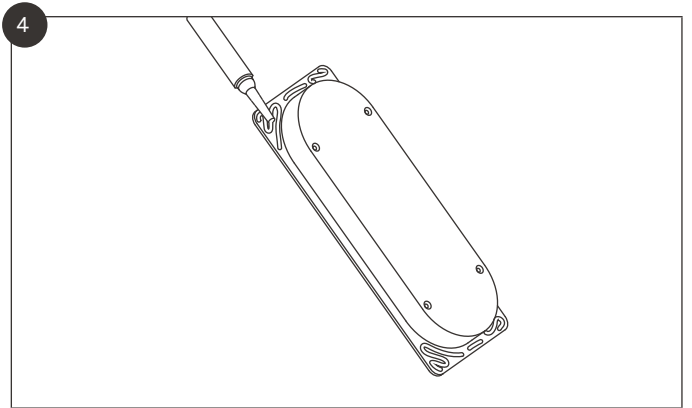
1 Carefully trace around the back of the handle to mark its position.



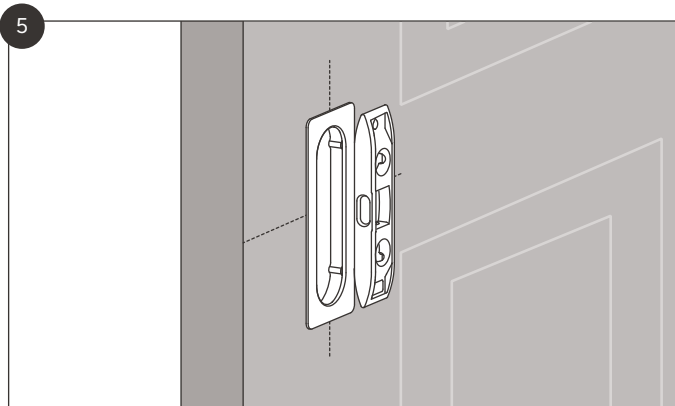
2 Make a recess in the door 14mm deep.



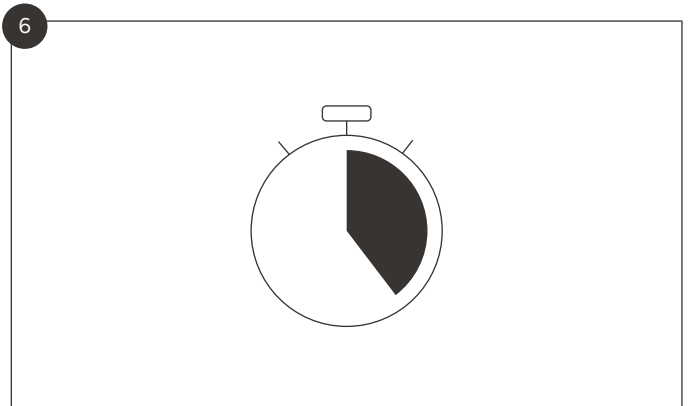
3 Test the handle in the recess, making sure it sits flush with the door.



4 Apply the adhesive to the back of the handle.



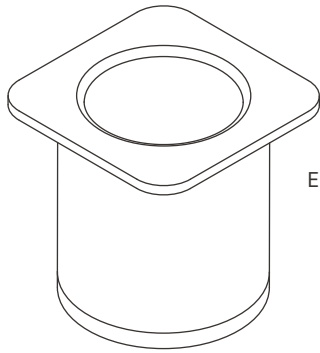
5 Carefully insert the handle into the hole, making sure it's level. Quickly wipe off any excess adhesive.



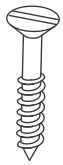
6 Leave the adhesive to cure for the length of time specified by the manufacturer.

Edge pull handle

INCLUDED

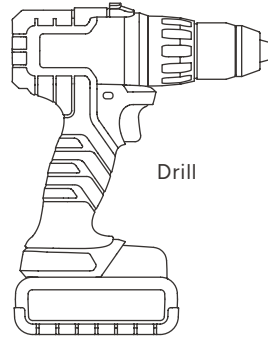


Edge pull x1



Wood screw x1

TOOLS YOU'LL NEED



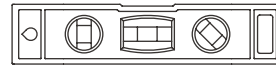
Drill



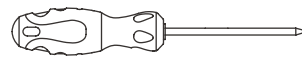
2mm drill bit



28mm drill bit

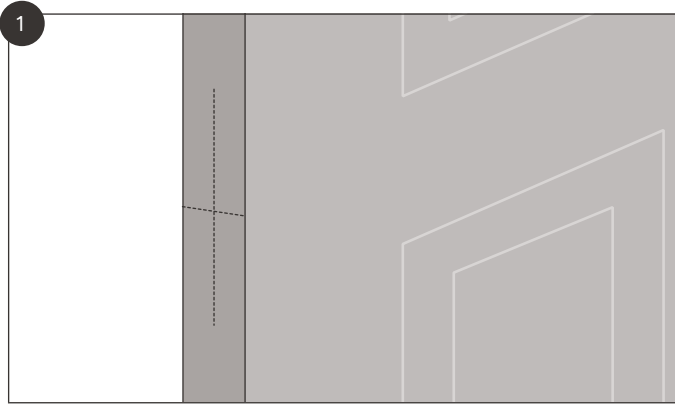


Spirit level

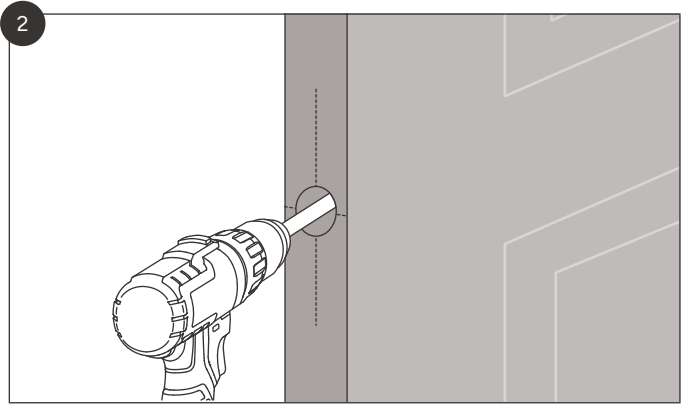


Flathead
screwdriver
(6.5mm)

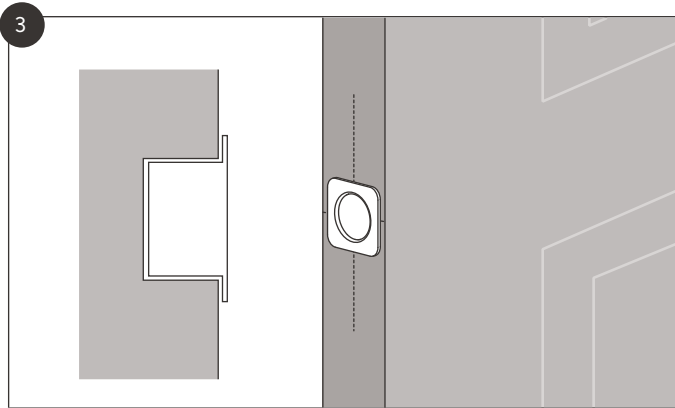
Edge pull handle



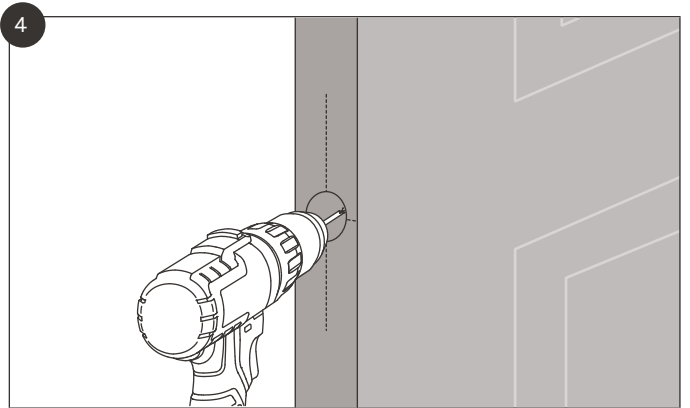
1 Mark the position of the handle on the door.



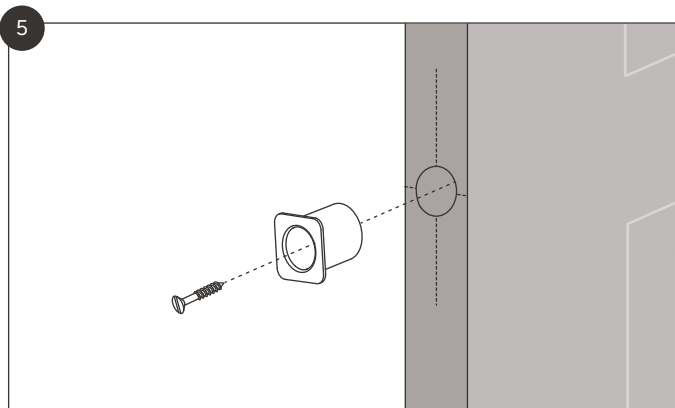
2 Drill a hole 30mm in diameter and 30mm deep.



3 Test the handle in the recess, making sure it sits flush with the door.



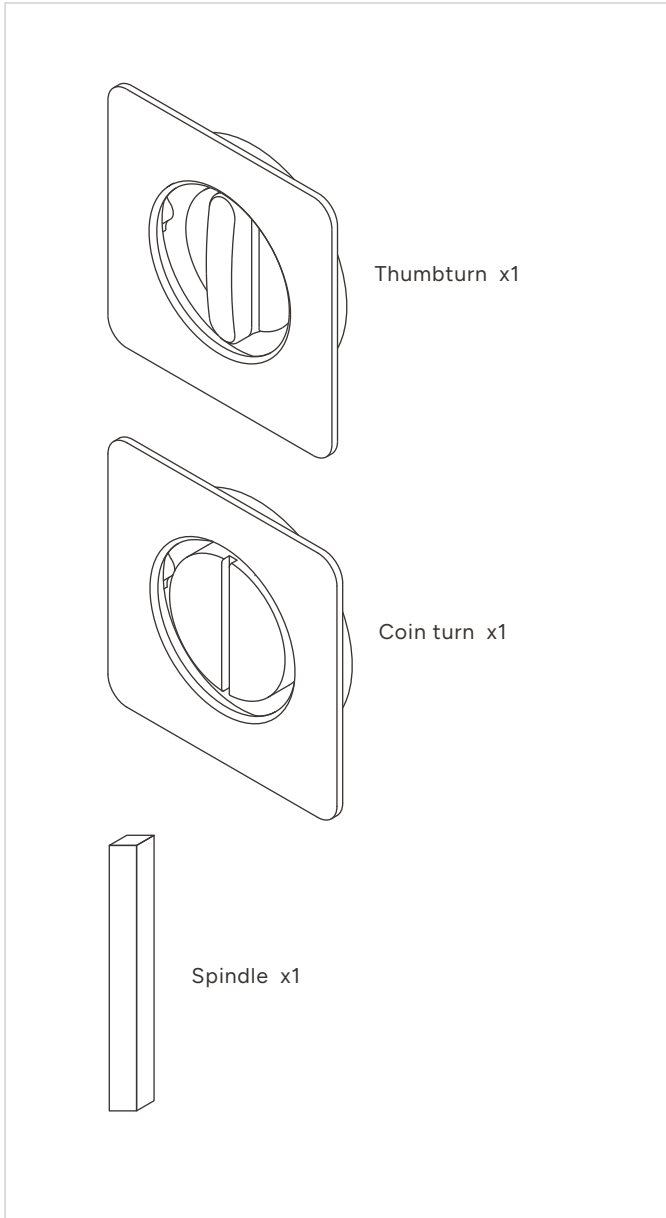
4 Using a 2mm drill bit, drill a pilot hole for the wood screw.



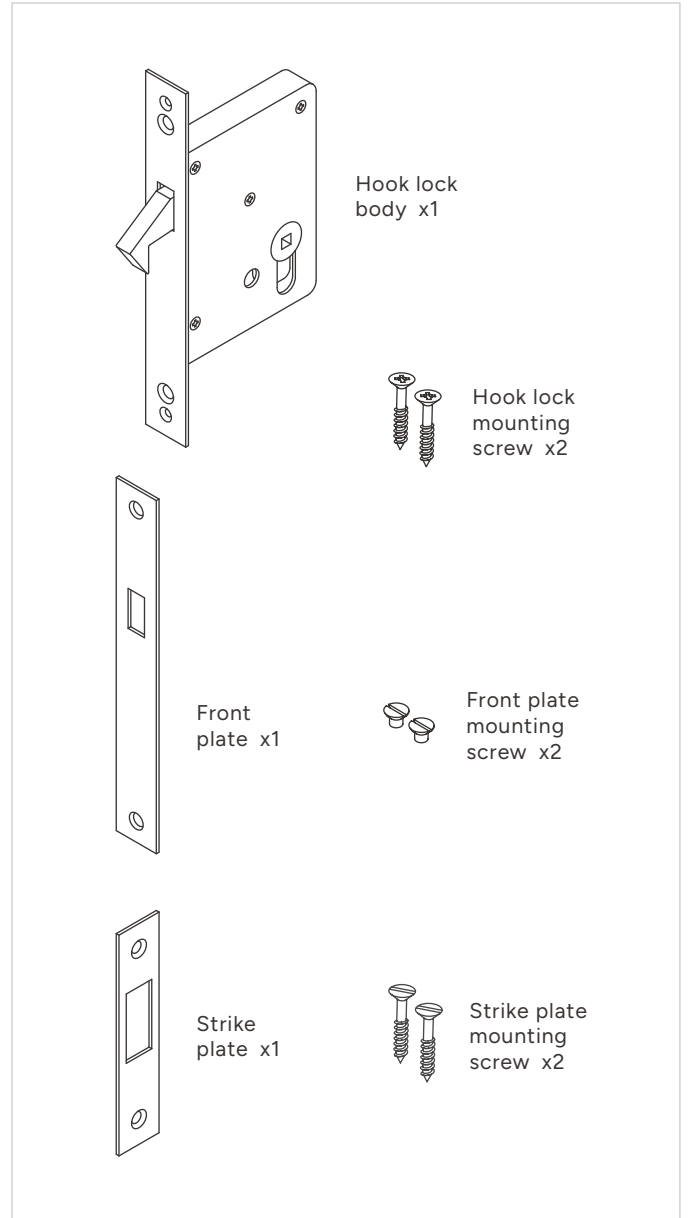
5 Screw the handle in place, making sure it's level.

Thumbturn & hook lock

INCLUDED (THUMBTURN)

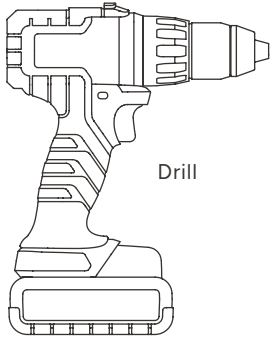


INCLUDED (HOOK LOCK)

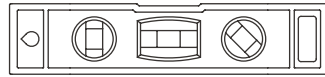


Thumbturn & hook lock

TOOLS YOU'LL NEED



Drill



Spirit level



Chisel



Polymer grab adhesive



2mm drill bit



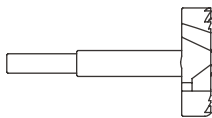
5mm drill bit



8mm drill bit



16mm drill bit



50mm drill bit

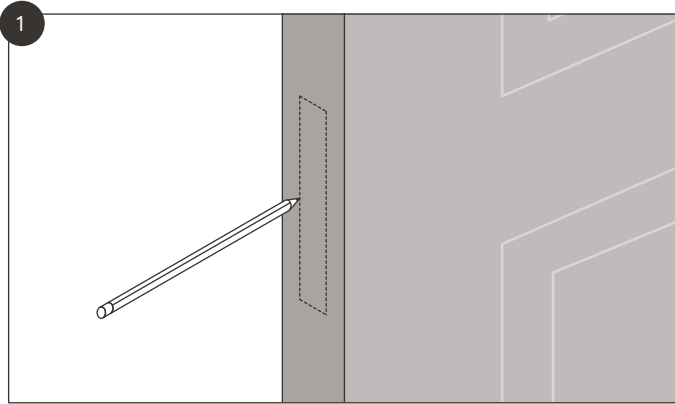


Flathead screwdriver (6.5mm)

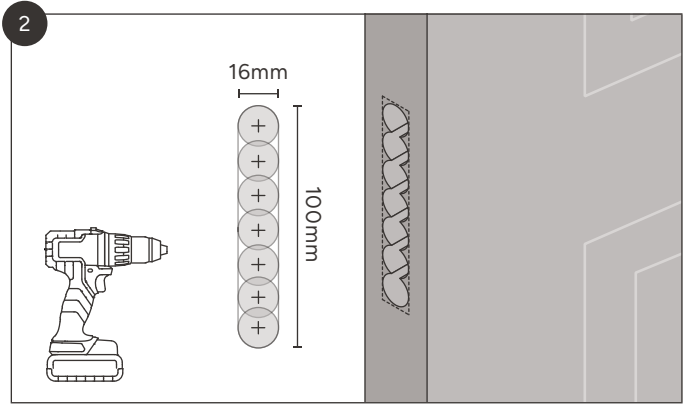


Crosshead screwdriver (PZ2)

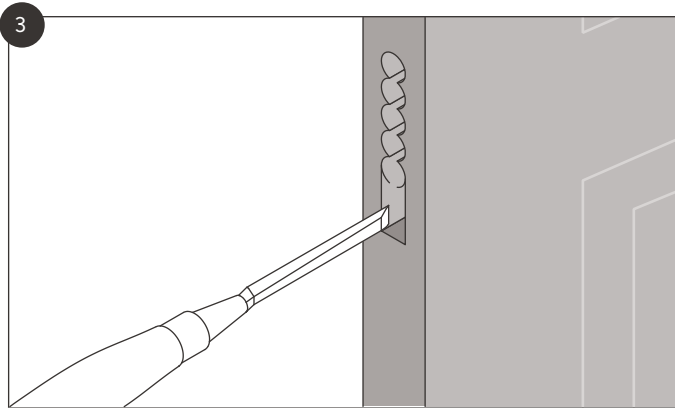
Thumbturn & hook lock



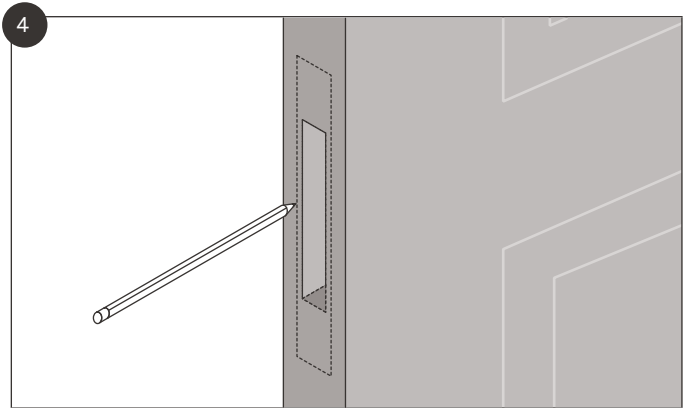
1 Mark out the hole for the hook lock body.



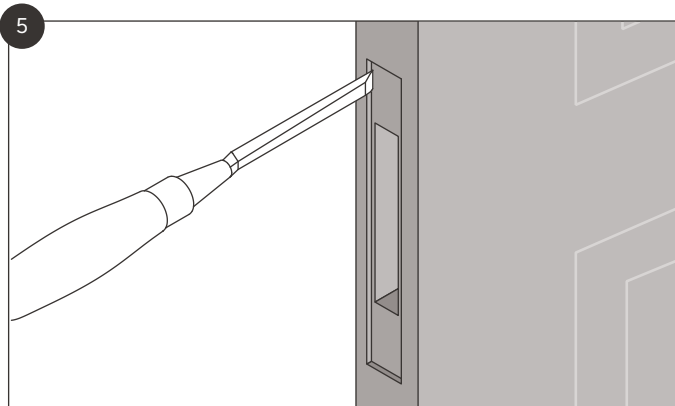
2 Using a 16mm drill bit, drill out the majority of the hole.



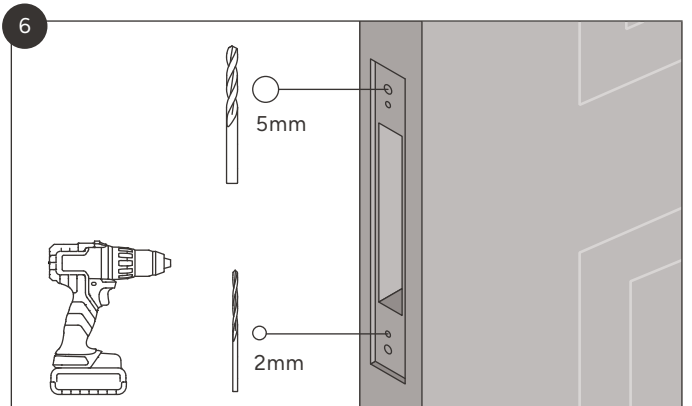
3 Chisel out the remainder of the hole and make square.



4 Mark out the front plate recess.

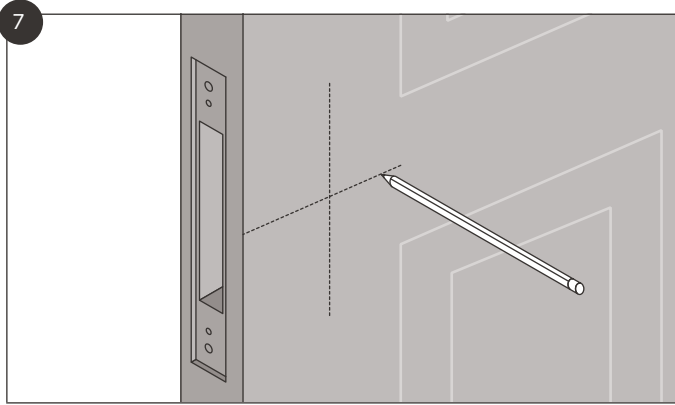


5 Chisel out the front plate recess so that it's **3mm** deep.

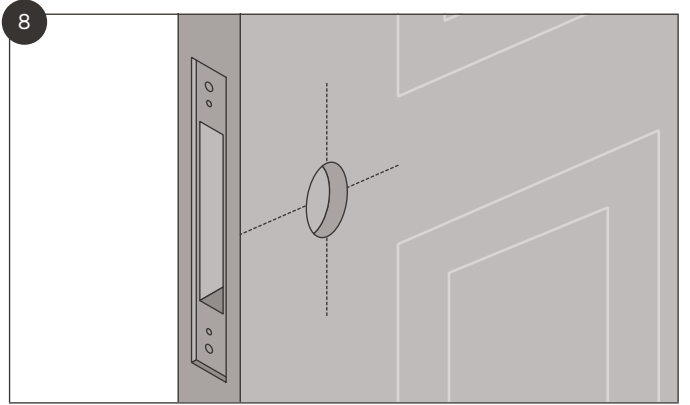


6 Mark out the screw holes. Drill the inner two as pilot holes using a 2mm drill bit. Drill the outer two as recesses using a 5mm drill bit.

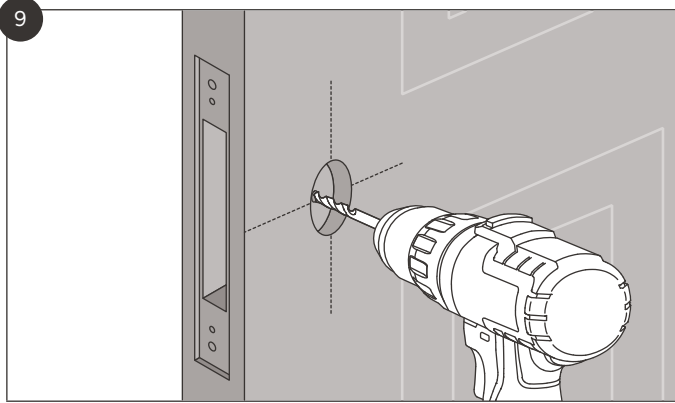
Thumbturn & hook lock



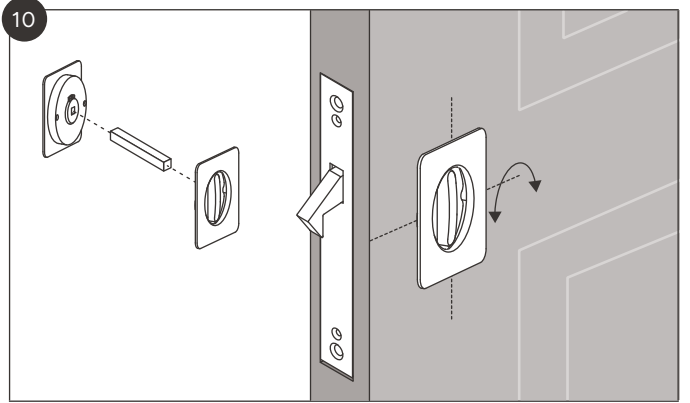
Mark the position of the thumbturn on the door.



Drill a hole 50mm in diameter and 8mm deep. Repeat the process on the opposite side of the door.

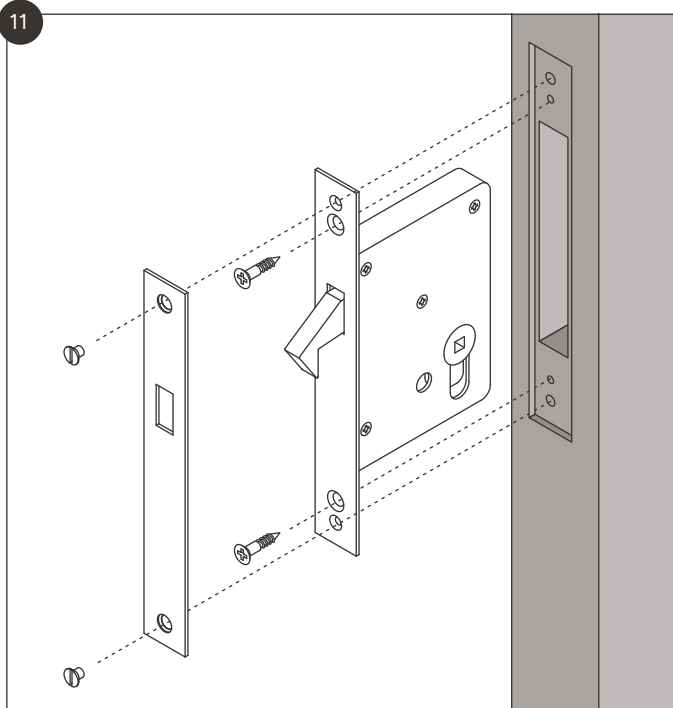


Drill an 8mm hole for the spindle through the centre of the previously drilled holes.

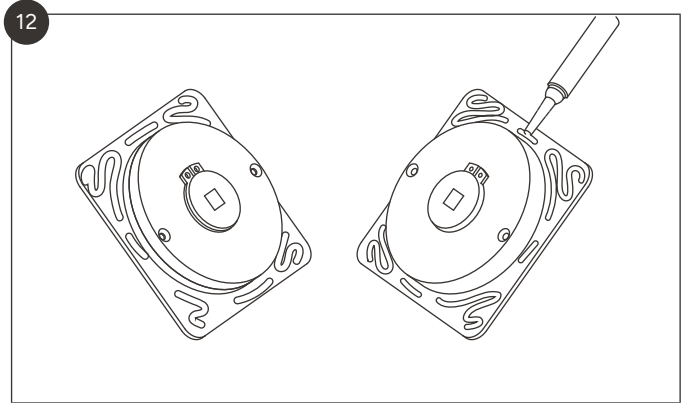


Test the thumbturn and hook lock together in the door.

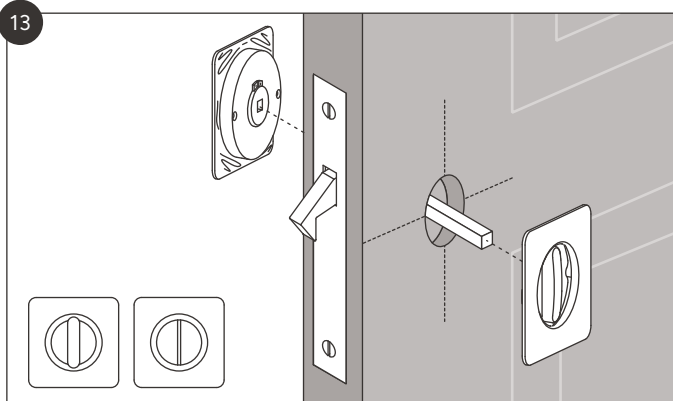
Thumbturn & hook lock



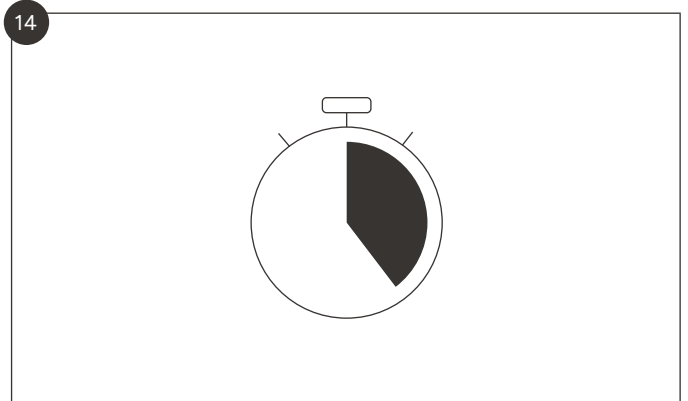
Insert the lock body. Use the wood screws to secure the lock to the door, followed by the front plate mounting screws to secure the front plate to the lock body.



Apply adhesive to the backs of the thumbturn and coin turn.

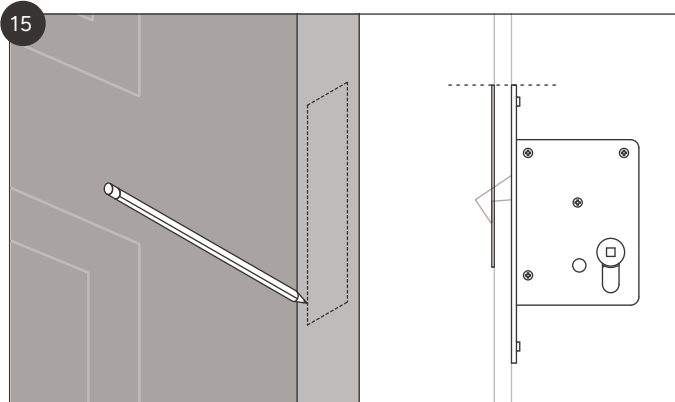


Carefully insert the thumb turn and coin turn into the recesses, ensuring the spindle is in the hole and both are positioned vertically.

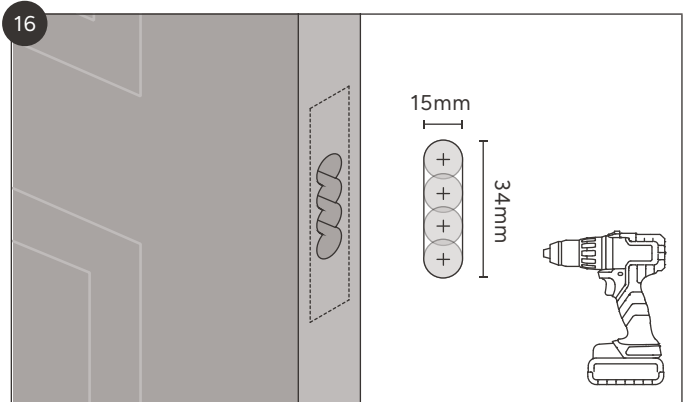


Leave the adhesive to cure for the length of time specified by the manufacturer.

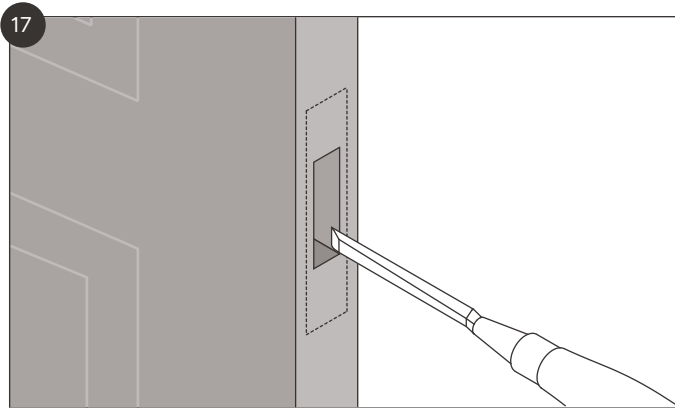
Thumbturn & hook lock



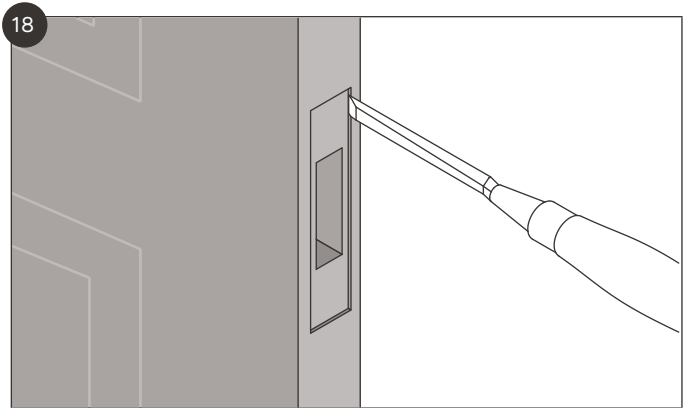
15 Mark out the strike plate. The top of the strike plate should be the same height as the lock front plate.



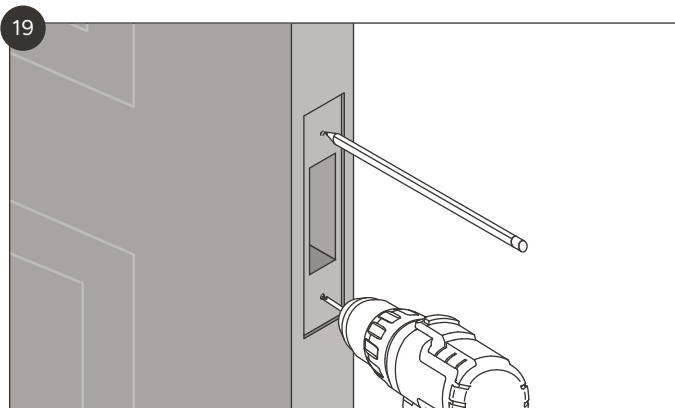
16 Drill out the majority of the strike plate hole.



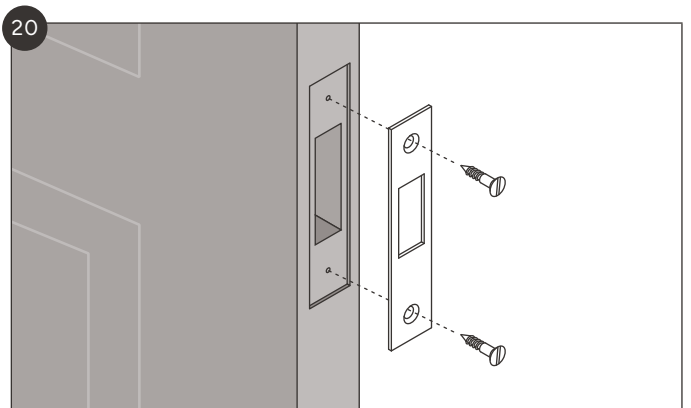
17 Chisel out the remainder of the hole and make square.



18 Chisel out the strike plate recess.



19 Mark and drill the strike plate screw pilot holes.

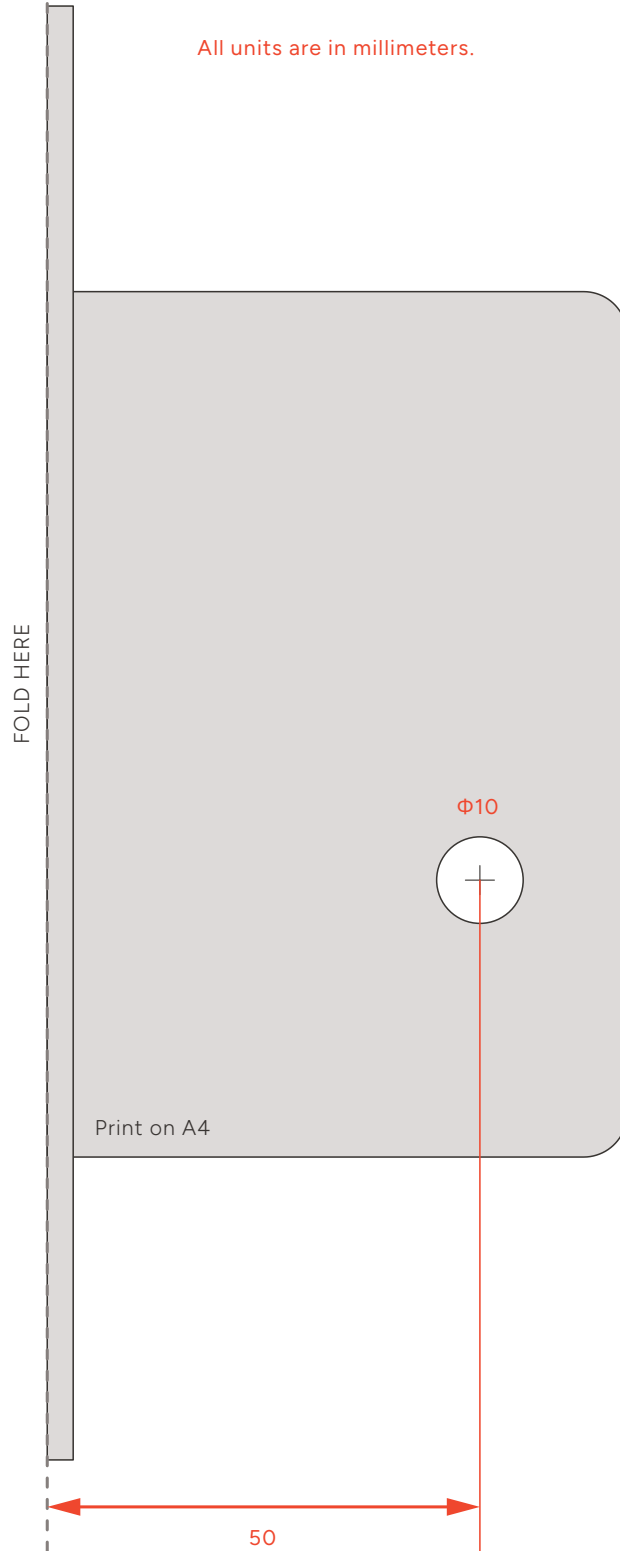


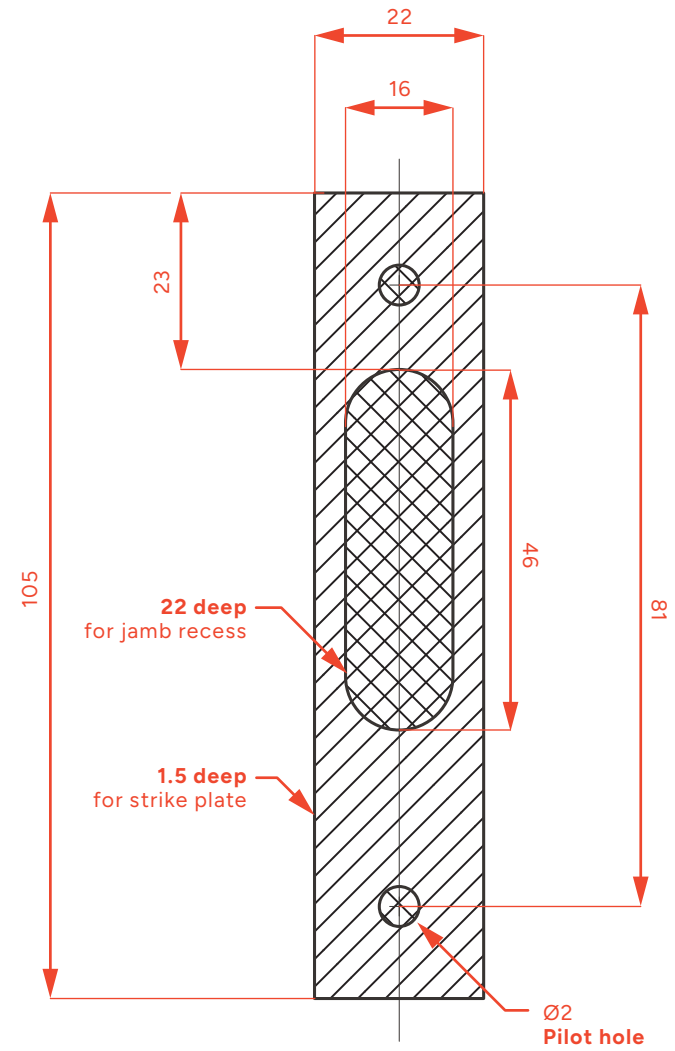
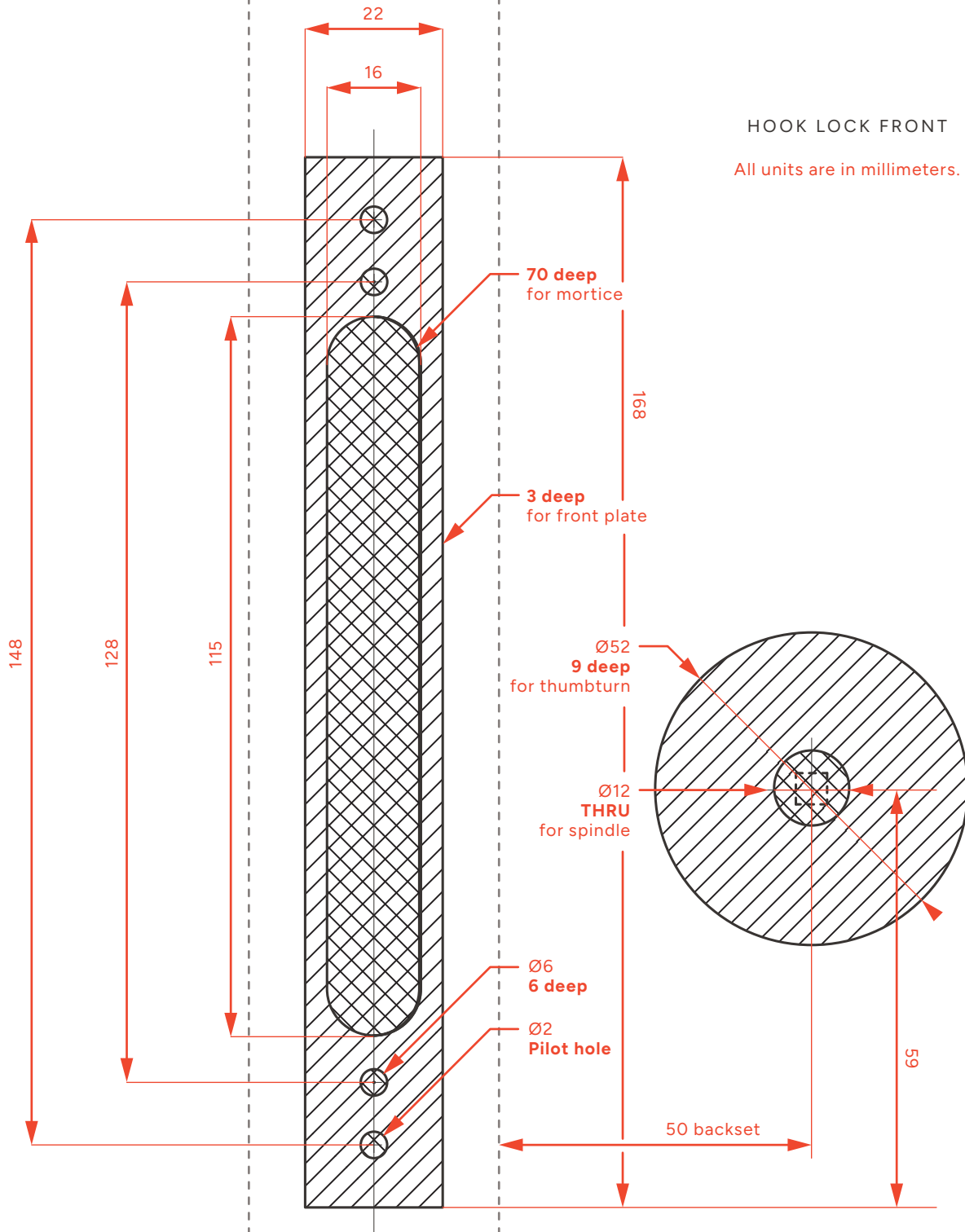
20 Screw the strike plate to the door frame.

Drilling guides

HOOK LOCK SIDE

All units are in millimeters.



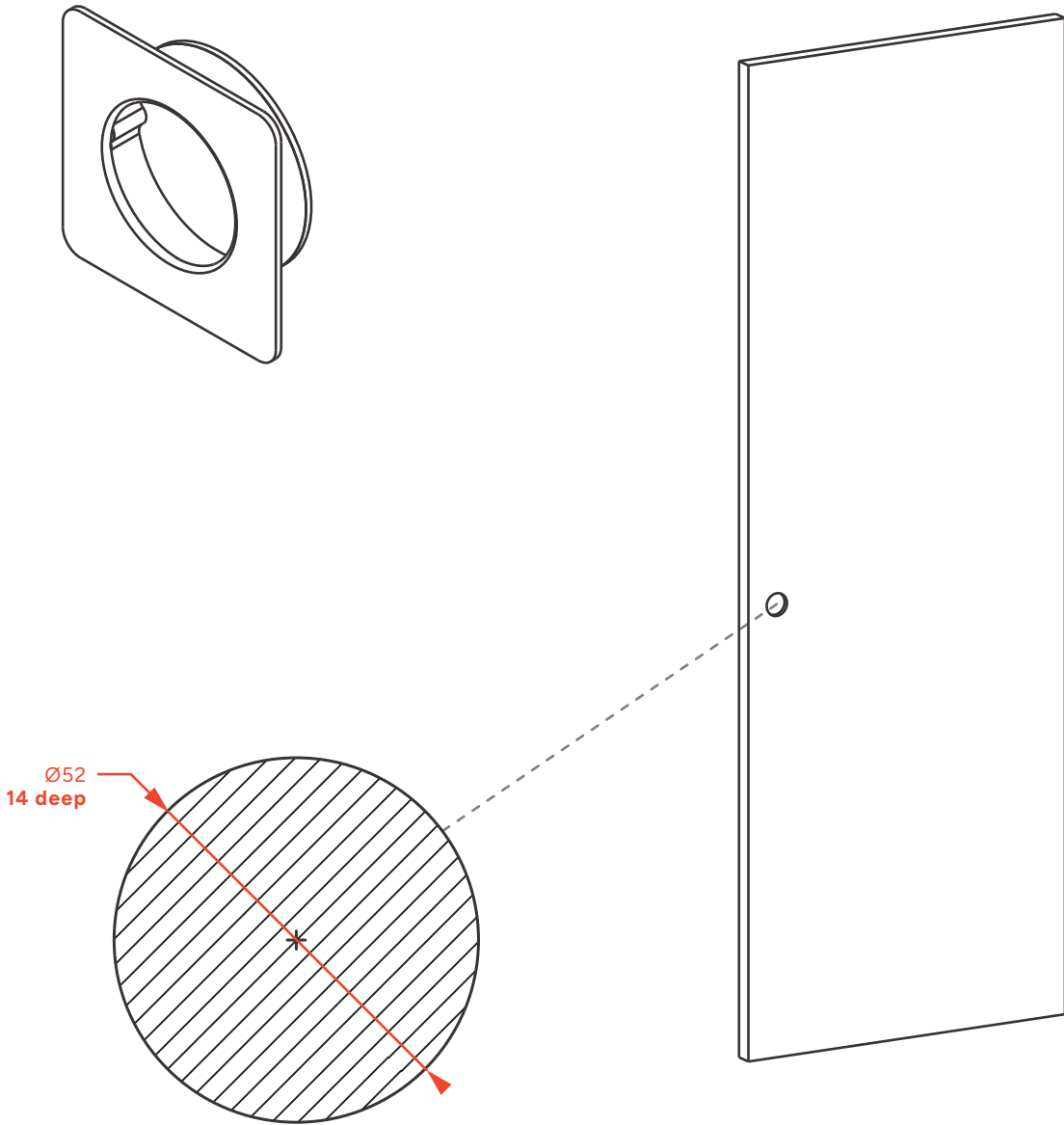


When printed on paper please check the scale is 1:1

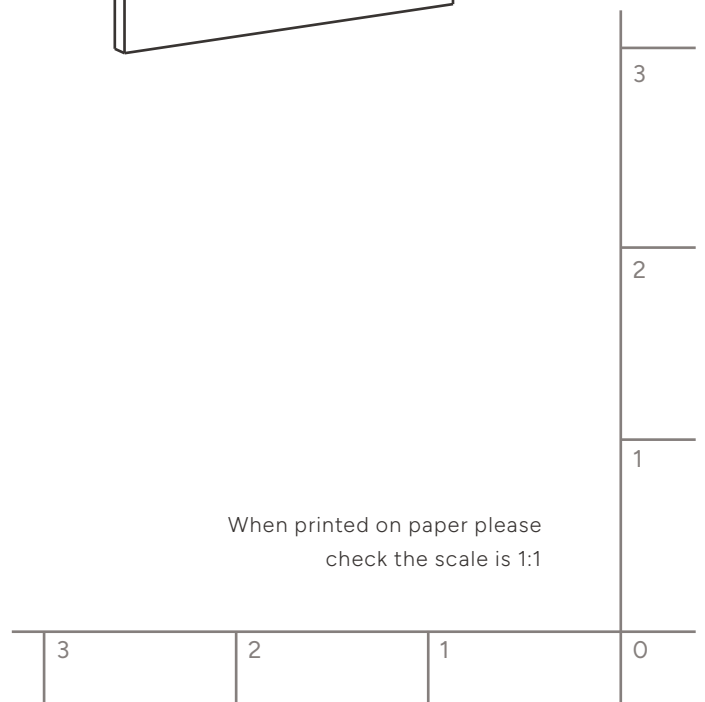
3	2	1	0
			3
			2
			1

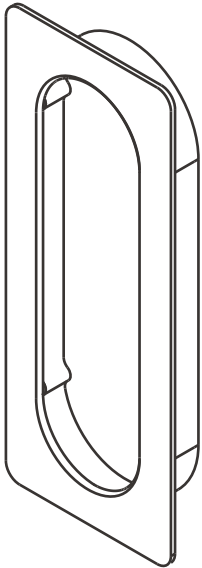
SMALL PULL HANDLE

All units are in millimeters.



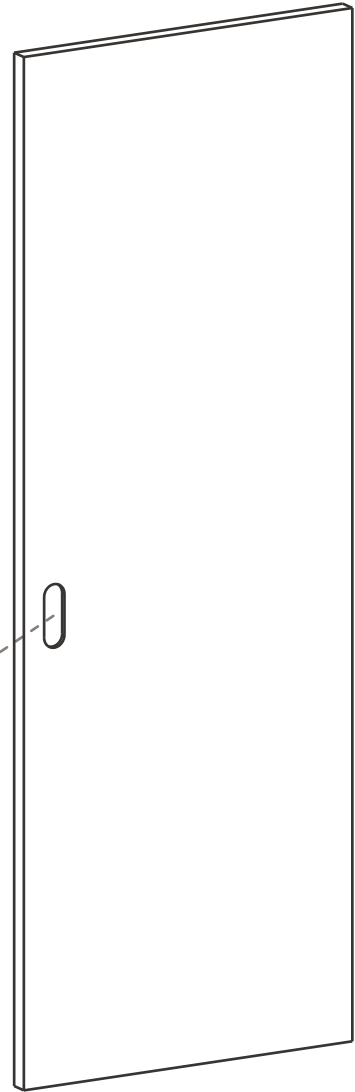
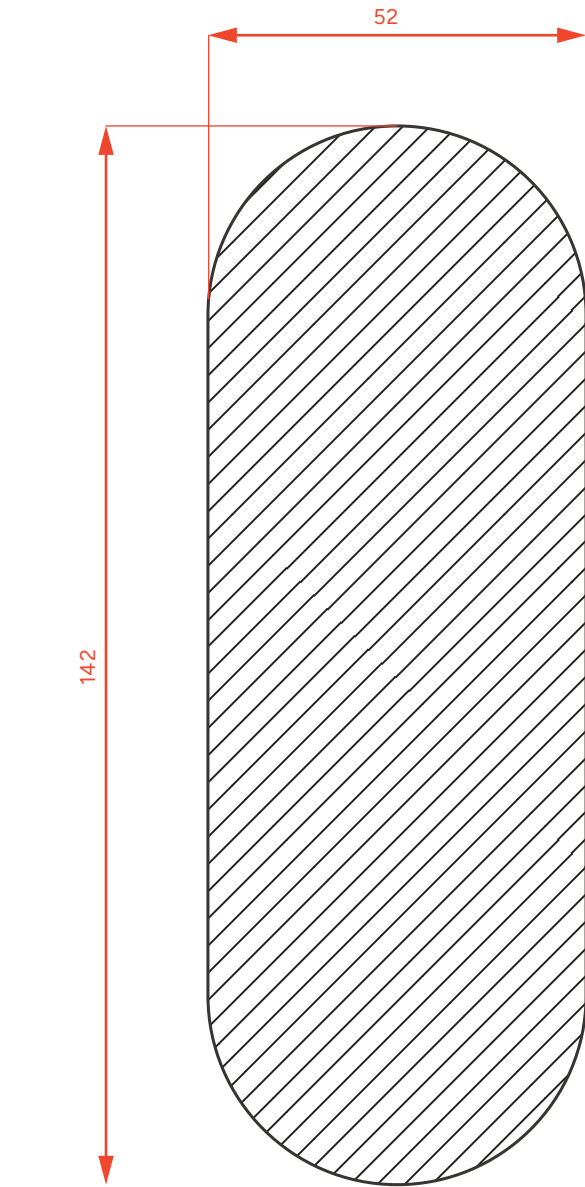
When printed on paper please
check the scale is 1:1



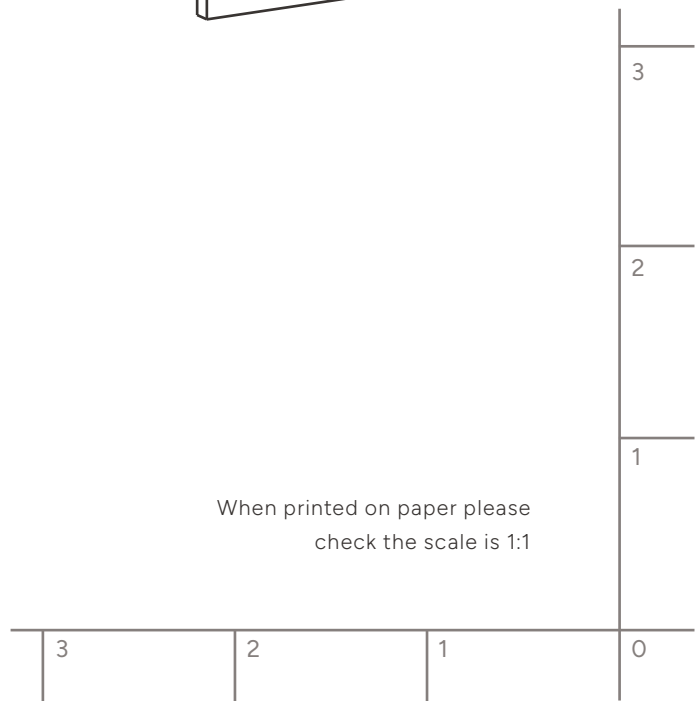


MEDIUM PULL HANDLE

All units are in millimeters.

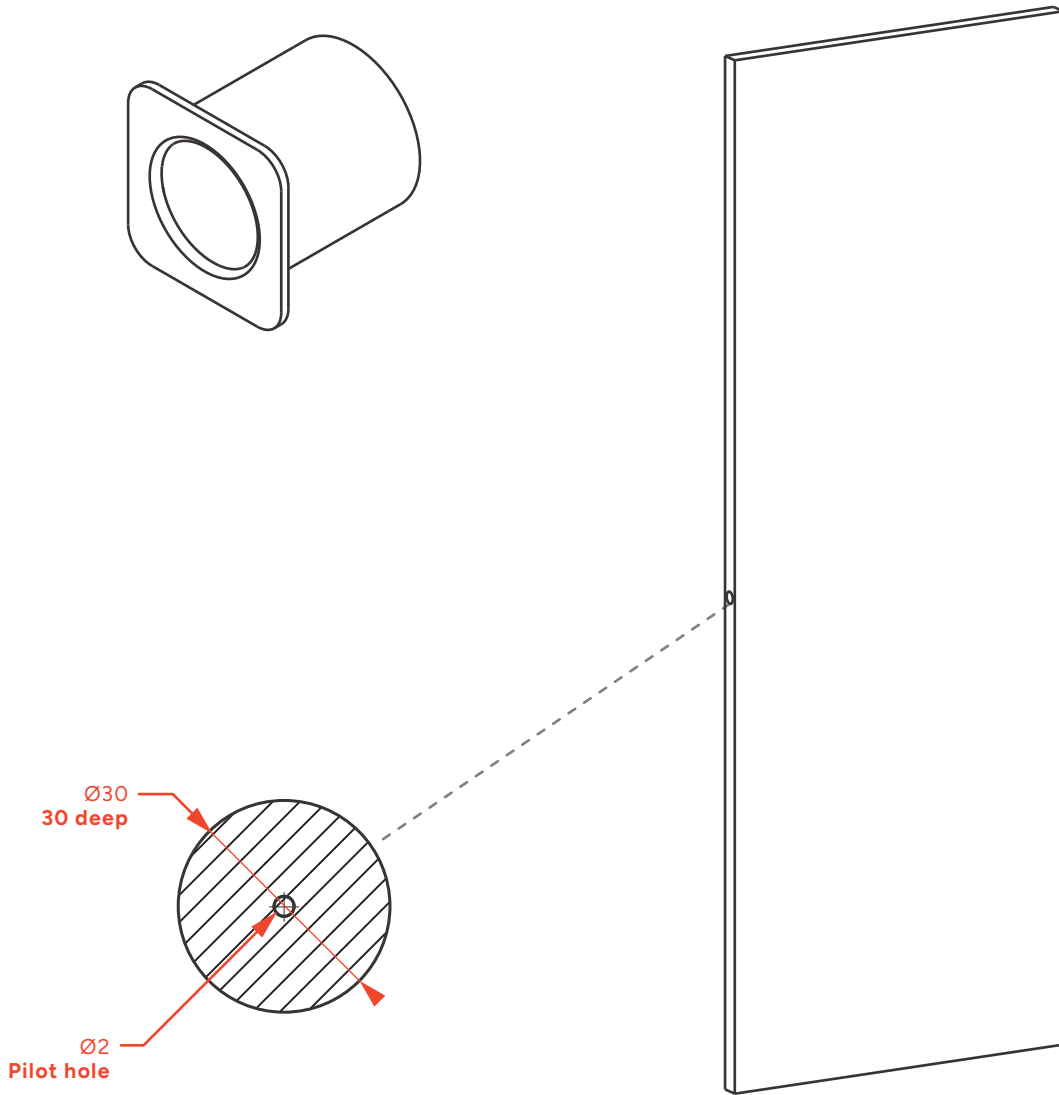


When printed on paper please
check the scale is 1:1



EDGE PULL HANDLE

All units are in millimeters.



When printed on paper please
check the scale is 1:1

3	2	1	3
			2
			1