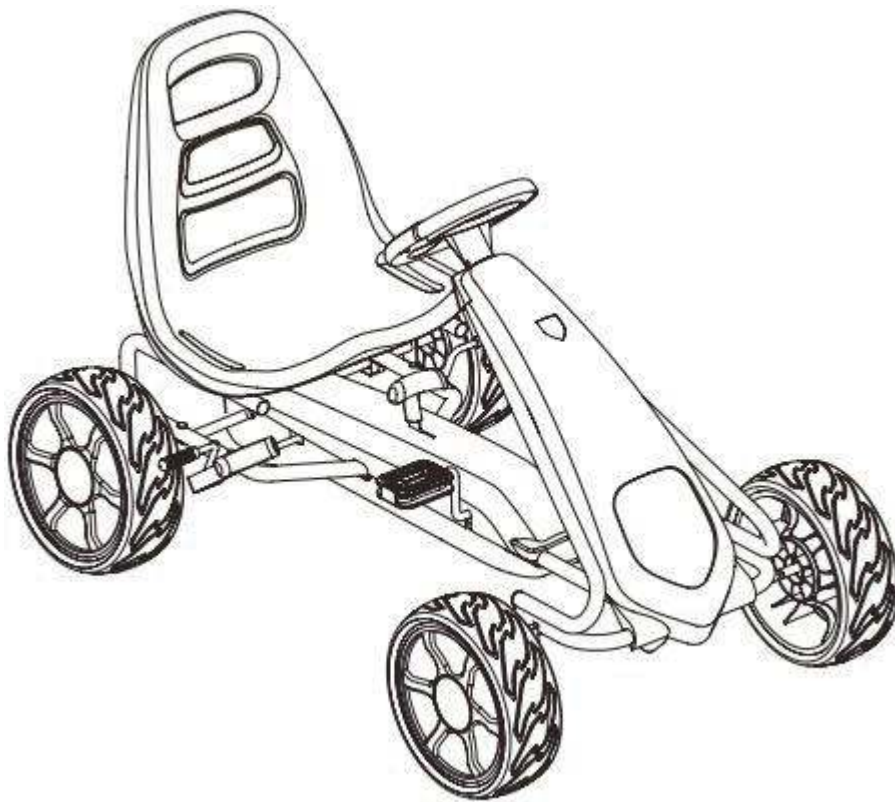


USER'S MANUAL

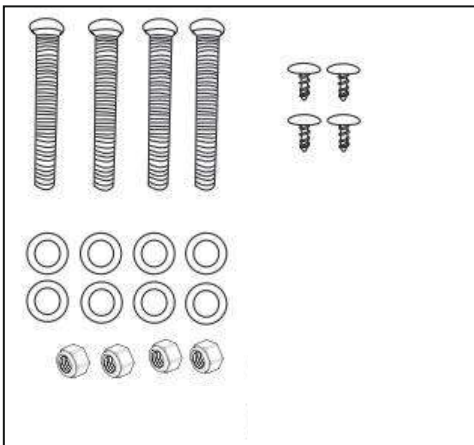
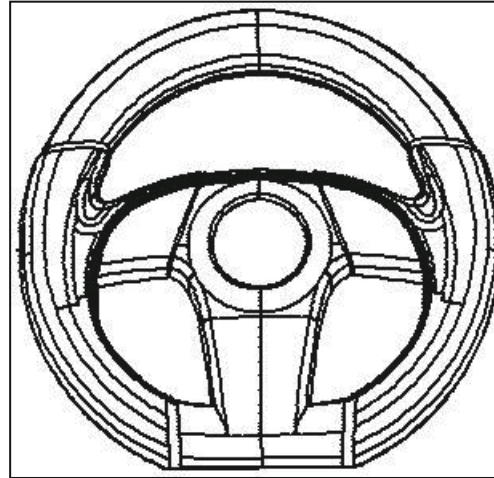
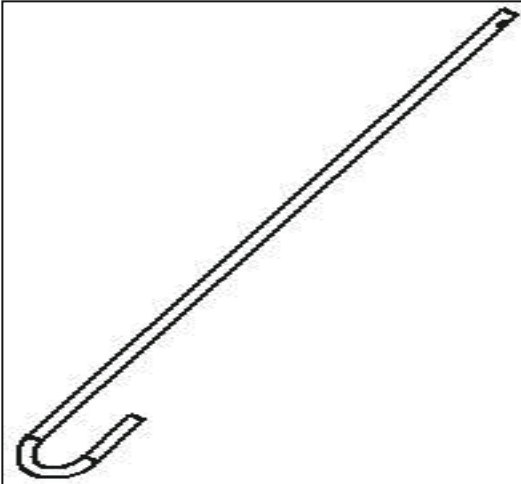
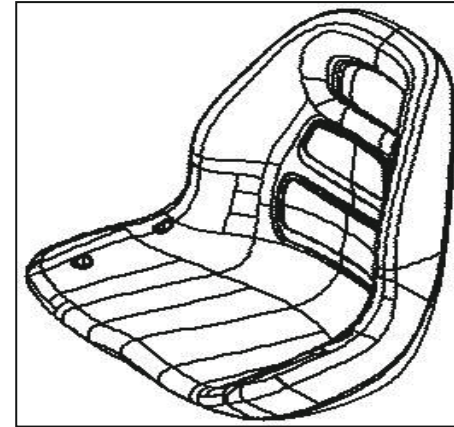
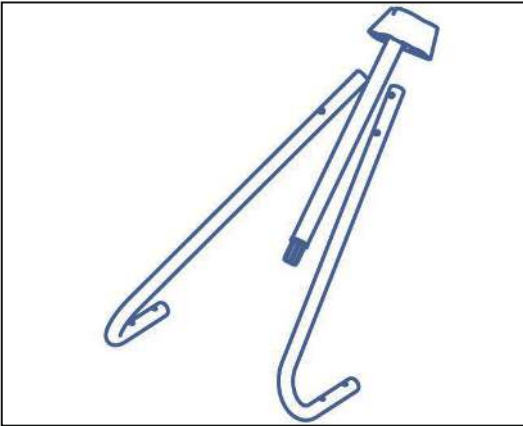
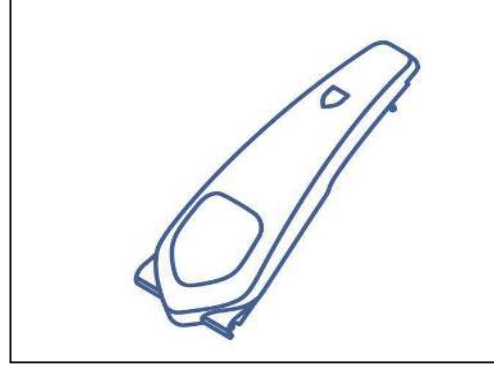
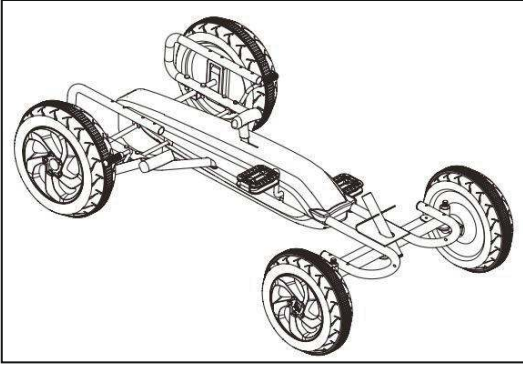
Go Kart
TY326024

PLEASE READ THE INSTRUCTION CAREFULLY BEFORE USE



- Suitable age: 37-96 months
- Maximum load: 66 LBS
- Product should only be assembled by an adult.
- The manual contains important information. Please take good care.

Component list

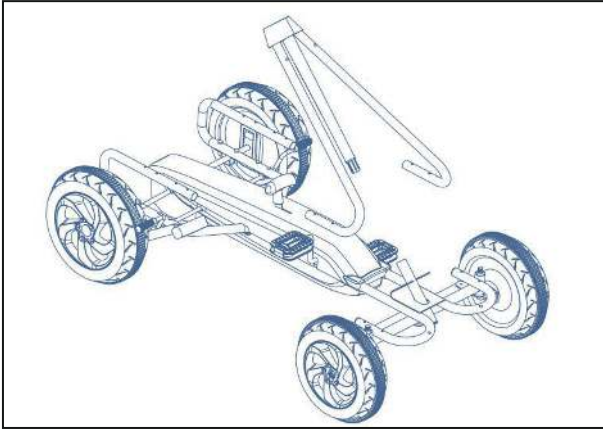


Fix the seat: bolt 5*45mm x 4
5MM washers x 8
M5 Locknut x4

Fix the front panel: tapping screw 3*10mm x 4

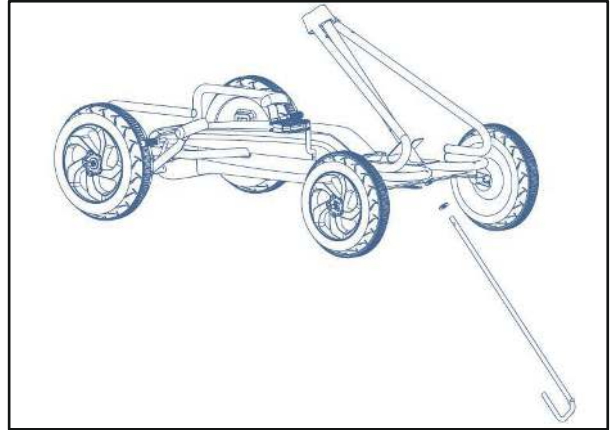
Installation steps

STEP 1.



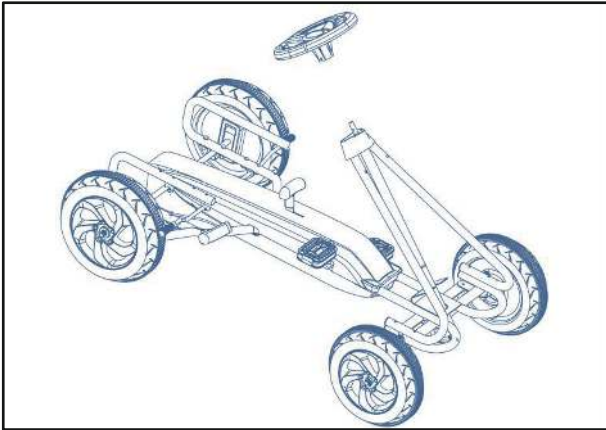
Assemble three front support tube and fix two side with bolt 5*45mm x 4

STEP 2.



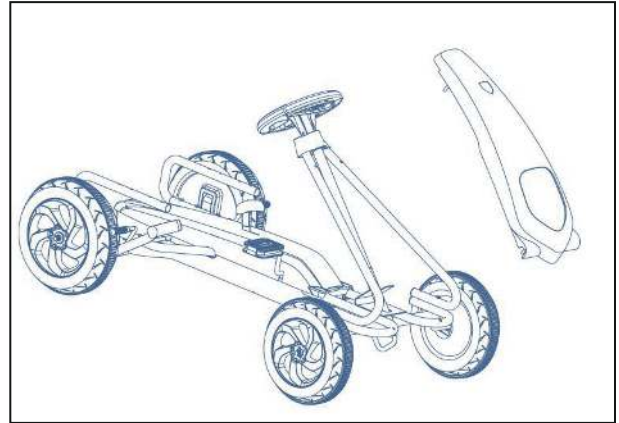
Take the steering shaft pass through the middle front support tube.

STEP 3.



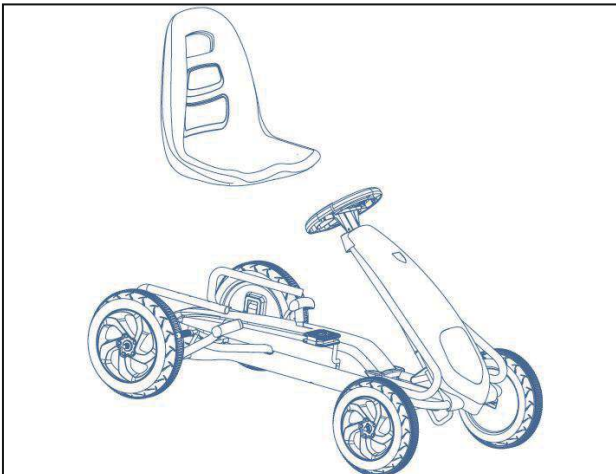
Fix the steering wheel on the steering shaft with bolt 5*35mm x 1

STEP 4.

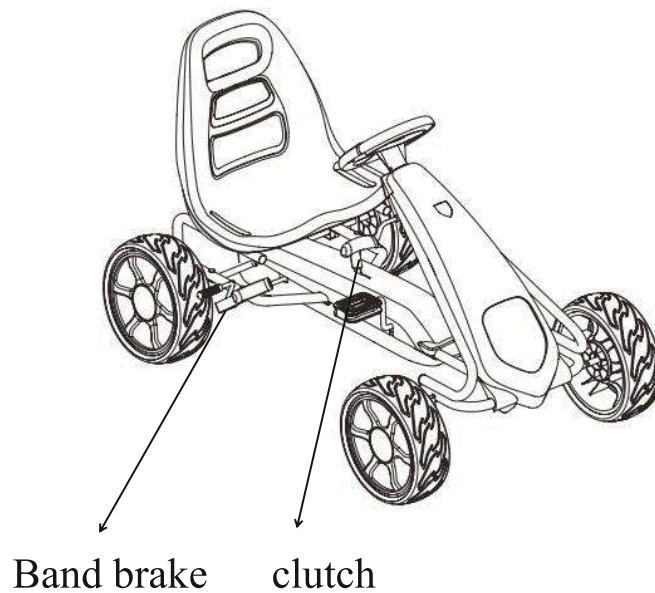


Fix the front panel with tapping screw 3*10mm x 4

STEP 5.



Fix the seat with bolt 5*45mm x 4



How to use the clutch?

Push the clutch forward. The go kart can forward and backward when you ride. Otherwise the go kart will freedom .

Trouble shooting guide

The chain of the go kart is off.

Open the chain cover. Put the chain on the chain wheel and confirm the chain is in the straight line. If not please adjust the pedal shaft. Then close the chain cover.

Safety warnings!!

Warning!Not suitable for children under 3 years of age due to small parts-choking hazard.

Warning!Protective equipment should be worn.

Warning!NOT TO BE USED IN TRAFFIC.

PLEASE READ THIS INSTRUCTION CAREFULLY BEFORE USE.

- Product should only be assembled by an adult and checked by adult before usage.
- Car should not be ridden at night, near or around swimming pools, steep slopes or near any public roads.Make sure a safe driving environment.
- Children should always be supervised when riding.
- This product only suitable for children aged between 3-8 years.
Maximun load capacity is 66 LBS.
- Before using,check and make sure the screws are tight.
- To lubricate the chain every 3~4 weeks that can ensure the chain can work smoothly.
- The product should be used with caution since kill required to avoid falls or collisions causing injury to the user or third parties.