

**USER'S MANUAL**  
11FT Hanging Umbrella  
OP70377

THIS INSTRUCTION BOOKLET CONTAINS **IMPORTANT** SAFETY INFORMATION. PLEASE READ AND KEEP FOR FUTURE REFERENCE.

**Please give us a chance to make it right and do better!**  
Contact our friendly customer service department for help first.  
Replacements for missing or damaged parts will be shipped ASAP!

**Follow Costway**  
Visit us: [www.costway.com](http://www.costway.com)

**Contact Us!**

**Do NOT return this item.**

Contact our friendly customer service department for help first.

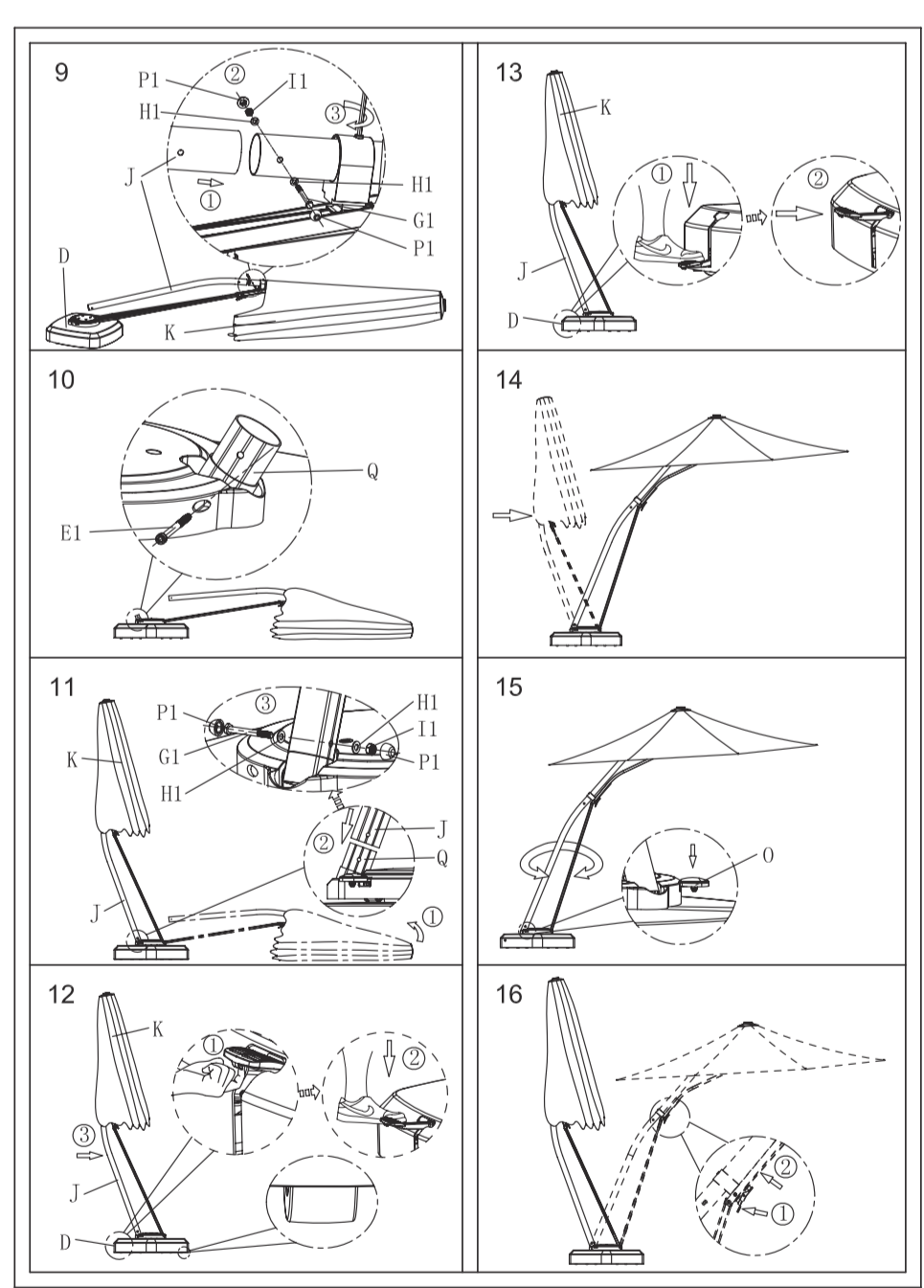
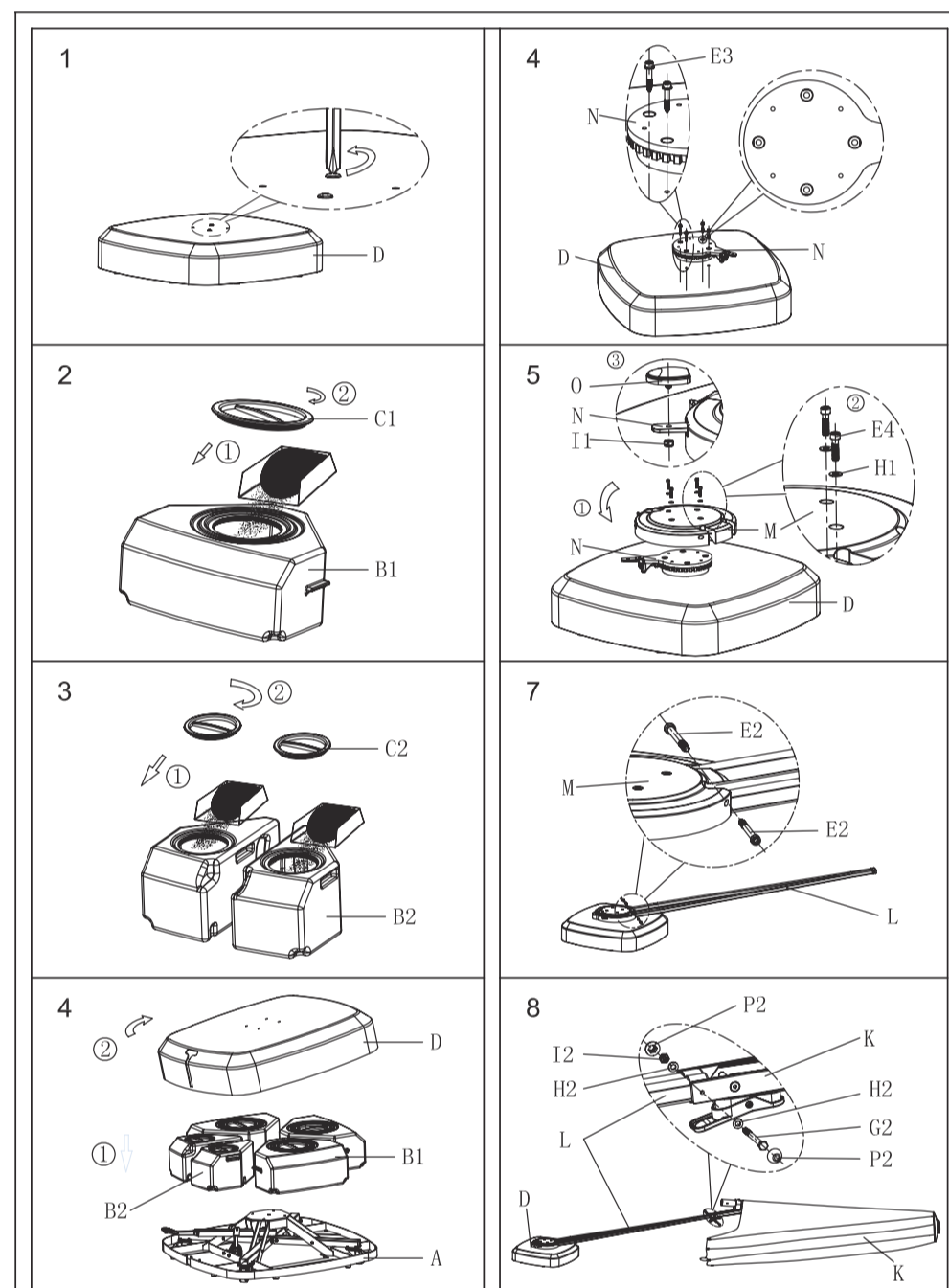


**Before You Start**

- ⊙ Please read all instructions carefully.
- ⊙ Retain instructions for future reference.
- ⊙ Separate and count all parts and hardware.
- ⊙ Read through each step carefully and follow the proper order.
- ⊙ We recommend that, where possible, all items are assembled near to the area in which they will be placed in use, to avoid moving the product unnecessarily once assembled.
- ⊙ Always place the product on a flat, steady and stable surface.
- ⊙ Keep all small parts and packaging materials for this product away from babies and children as they potentially pose a serious choking hazard.

PART	PICTURE	QTY	PART	PICTURE	QTY
A		1	E2		2
B1		3	E3		4
B2		1	E4		4
C1		3	G1		2
C2		2	G2		1
D		1	H1		8
E1		1	H2		2

PART	PICTURE	QTY	PART	PICTURE	QTY
I1		3	O		1
I2		1	P1		4
J		1	P2		2
K		1	Q		1
L		1	R		1
M		1	S		1
N		1	T		2



- When there is a strong wind (>3bft) close the parasol to prevent it from falling.
- When opening the parasol, give it a little help by pulling the ribs a bit apart from each other by hand. Then open up the parasol.

Welcome to visit our website and purchase our quality products!

Your suggestions and comments for COSTWAY are really important to us! We sincerely solicit you to go back to our shop and leave a good rating in just a simple click. It would be quite encouraging if you could kindly do so like below:

★★★★★ Great products so far

February 24, 2019

Great products so far: Fast delivery, easy setup, and working without any issues.

With your inspiring rating, COSTWAY will be more consistent to offer you EASY SHOPPING EXPERIENCE, GOOD PRODUCTS and EFFICIENT SERVICE!

US office: Fontana, California  
UK office: Ipswich



- \* Reward Points
- \* Exclusive Customer Service
- \* Personalized Recommendations
- \* Permanent Shopping Cart
- \* Order History

5 Star Rating



We would like to extend our heartfelt thanks to all of our customers for taking time to assemble this product and giving us valuable feedbacks.

