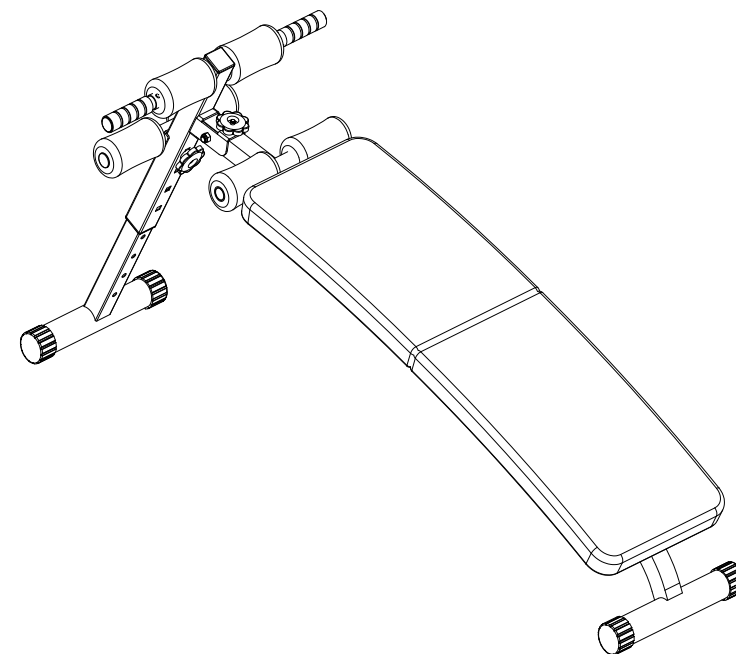


SuperFit



USER'S MANUAL



THIS INSTRUCTION BOOKLET CONTAINS **IMPORTANT** SAFETY INFORMATION. PLEASE READ AND KEEP FOR FUTURE REFERENCE.

Please give us a chance to make it right and do better!

Contact our friendly customer service department for help first.

Replacements for missing or damaged parts will be shipped ASAP!

Follow Costway

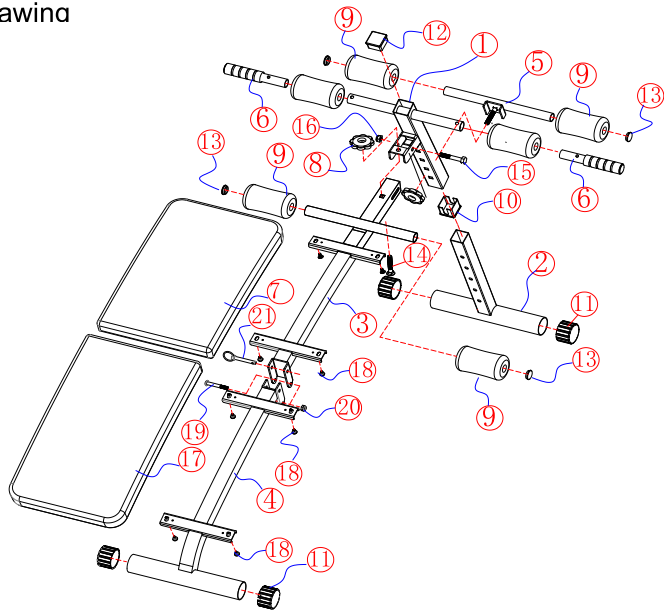
Visit us: www.costway.com



Parts List

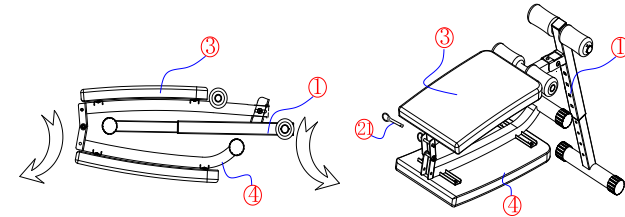
| No. | Item Name | Qty. | No. | Item Name | Qty. |
|-----|----------------------|------|-----|-------------------|------|
| 1 | Front Bracket | 1 | 12 | Square Tube Plug | 1 |
| 2 | Forefoot Tube | 1 | 13 | Round Tube Plug | 6 |
| 3 | Intermediate Bracket | 1 | 14 | Carriage Bolts | 1 |
| 4 | Rear Support Bracket | 1 | 15 | M10*50 Bolts | 1 |
| 5 | Hook Stand | 1 | 16 | M10 Nuts | 1 |
| 6 | Handle | 2 | 17 | Rear Padded board | 1 |
| 7 | Middle Padded board | 1 | 18 | M6*10 Bolts | 8 |
| 8 | Plum Knob | 2 | 19 | M8*50 Bolts | 1 |
| 9 | Foam | 6 | 20 | M8 Nuts | 1 |
| 10 | Reducing Sleeve | 1 | 21 | Pull-Ring Latch | 1 |
| 11 | Round Footpad | 4 | | | |

Explosion Drawing



Assembly Instruction

Take the full machine out of box, then open the front bracket (1) forward, and open the rear bracket backward as shown in the figure below.



Use carriage screw (14) to pass through the front bracket and the intermediate bracket, and tighten with Plum Knob (8). Put the hook stand (5) pass through the front bracket tube (1) and the front foot tube (2) according to the height requirement, and tighten with plum knob (8). Then insert the two handles (6) into the tube (1) hole, and insert the (21) pull-ring latch into the middle bracket and the rear bracket cross hole.

