

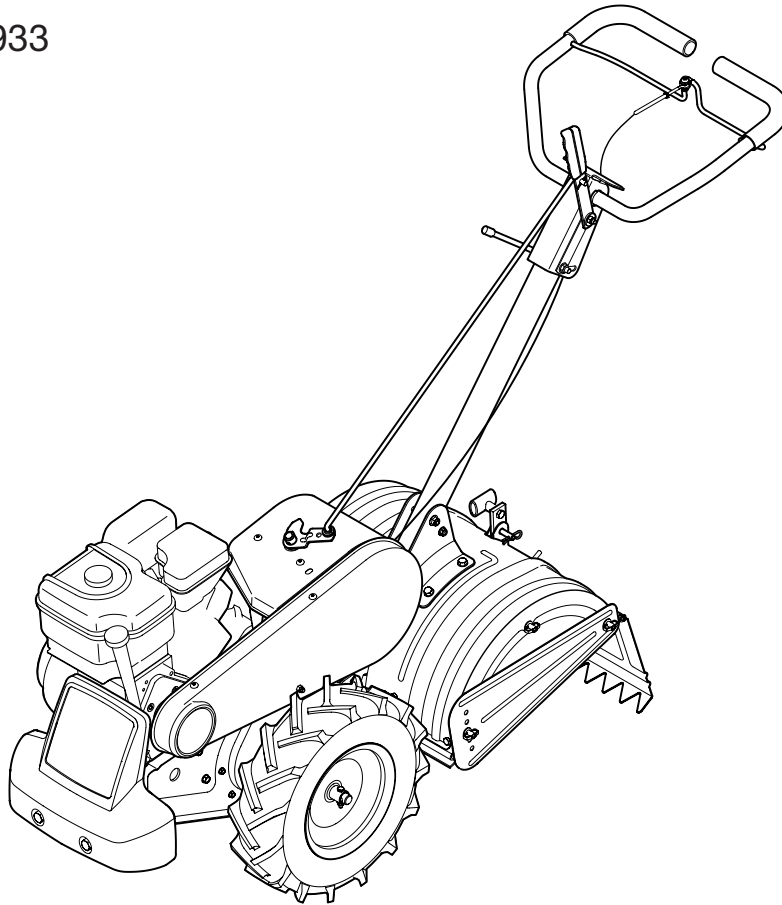
Operator's Manual

CRAFTSMAN[®]

205cc Engine

Rear Tine Tiller

Model No. 247.29933



CAUTION: Before using this product, read this manual and follow all safety rules and operating instructions.

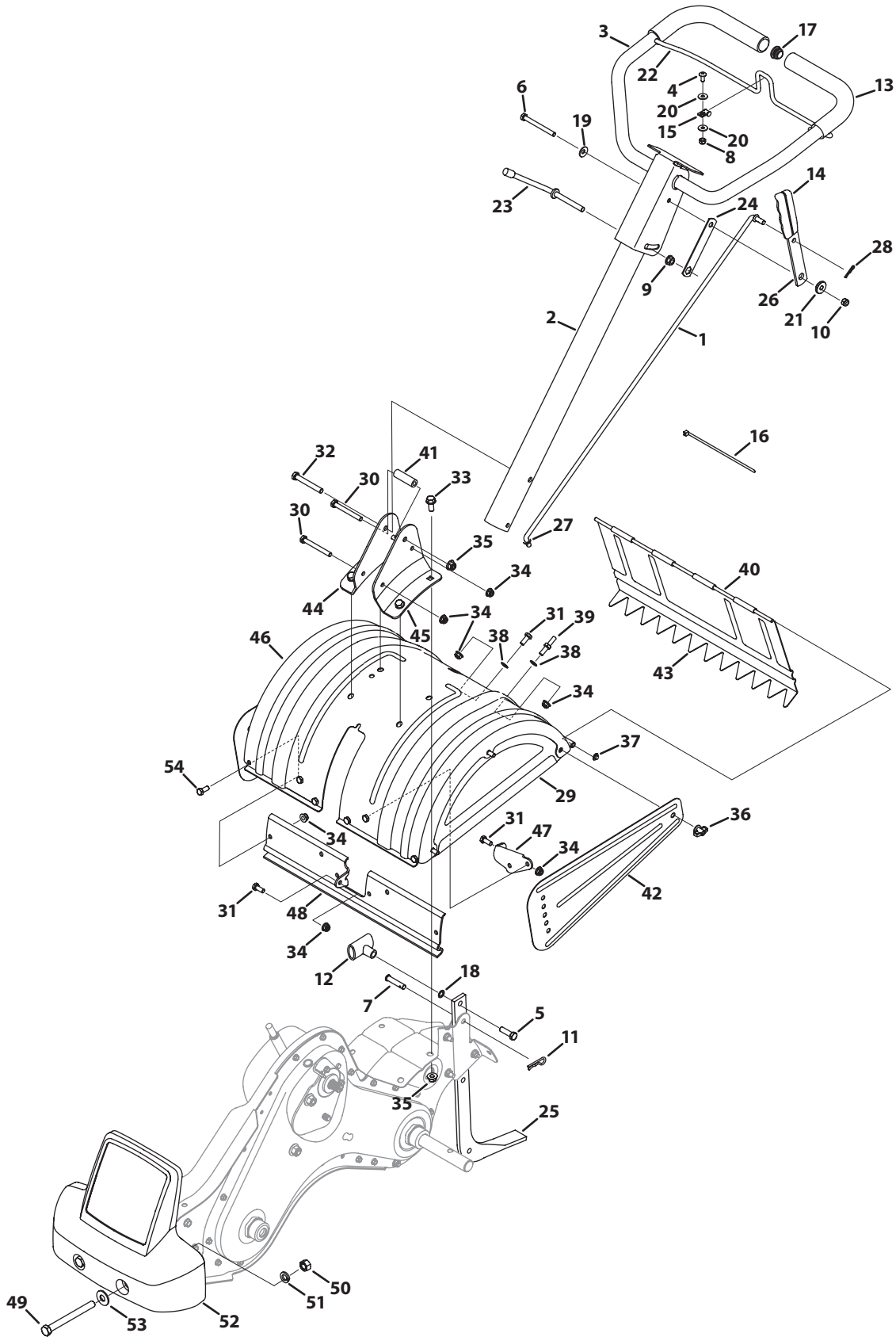
- SAFETY
- ASSEMBLY
- OPERATION
- MAINTENANCE
- PARTS LIST
- ESPAÑOL

Sears Brands Management Corporation, Hoffman Estates, IL 60179, U.S.A.
Visit our web site: www.craftsman.com

FORM NO. 769-05527A
10/14/2010

PARTS LIST

Craftsman Tiller — Model No. 247.29933



PARTS LIST

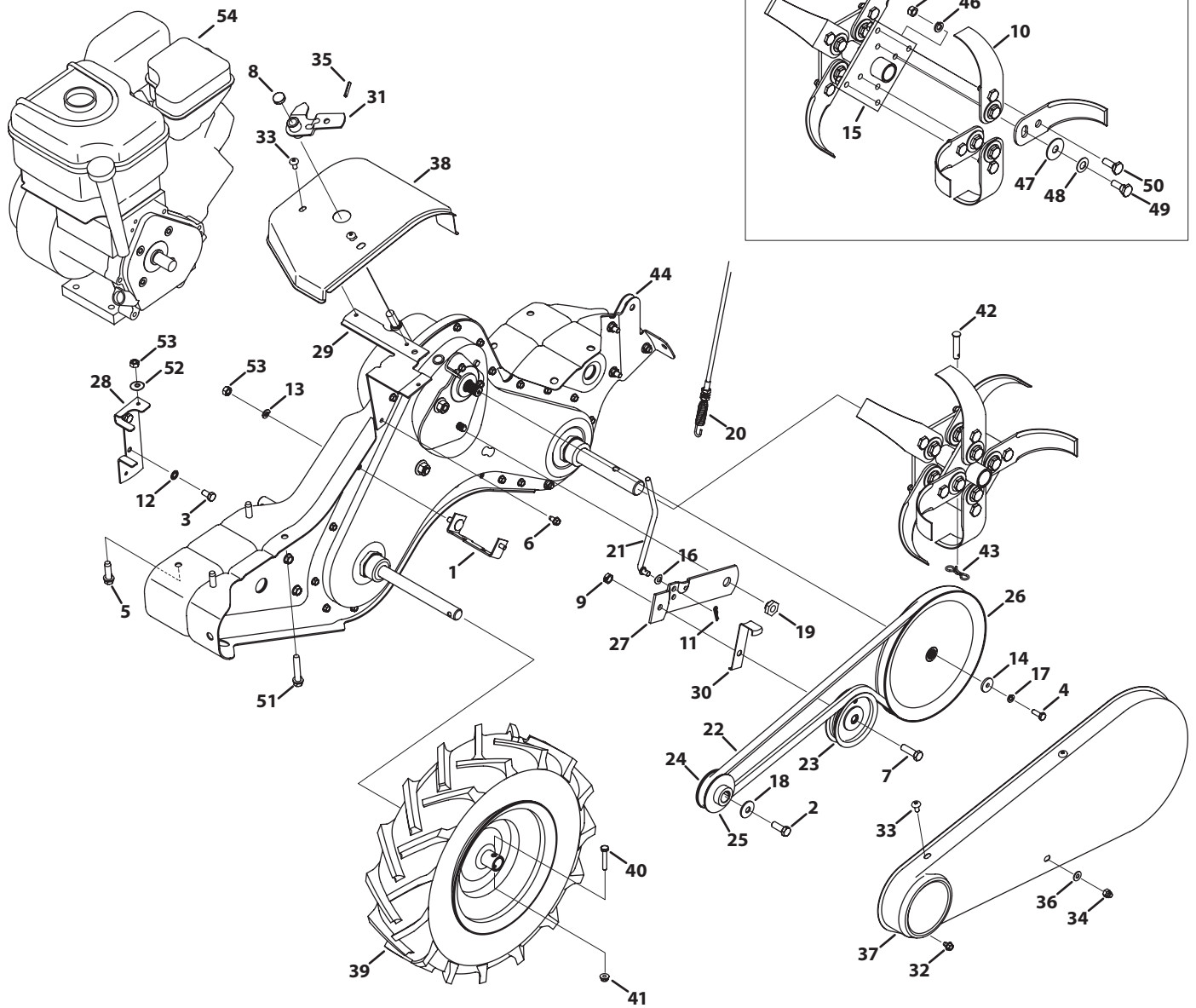
Craftsman Tiller — Model No. 247.29933

Ref. No.	Part No.	Description
1	747-1152	Shift Rod
2	649-0034-0691	Lower Handle Tube Assembly
3	649-0041-0691	Upper Handle Assembly
4	710-0946	Screw, 1/4-20 x 0.625
5	710-3005	Hex Head Screw, 3/8-16:1.25
6	710-3056	Hex Head Screw, 5/16-18 x 3.25
7	911-0415	Clevis Pin, .375 X 1.75
8	712-0324	Hex Lock Nut, 1/4-20
9	712-0379	Flange Lock Nut, 3/8-24
10	912-0429	Hex Lock Nut, 5/16-18
11	714-0147	Cotter Pin, .125 X 1.75 Internal
12	720-0210A	Small Tee Knob
13	720-0278A	Foam Grip, .970 x 11.0
14	720-0313	Grip, .1875 x 1.00
15	726-0273	Battery Clamp, 5/16
16	726-0317	Cable Tie, 8.5 LG
17	735-0246A	End Plug
18	936-0117	Washer, Flat, .385 x .620 x .033
19	736-0242	Washer, Bell, .340 x .872 x .060
20	736-3090	Washer, Flat, .260 x .720 x .060
21	938-0958	Spacer, .50 x .190 x .360 LG
22.	747-1219-0637	Clutch Bail
23	784-0190	Handle Adjustment Crank
24	784-0191	Hex Nut Retainer Bracket
25	786-0120-0637	Tiller Depth Control
26	786-0181-0691	Shaft Rod Lever
27	735-0127	Washer, .33 ID x .87 OD x .125

Ref. No.	Part No.	Description
28	914-0104	Cotter Pin, .072 x 1.12 LG
29	686-0044B-0691	End Cover Assembly
30	710-0176	Hex Head Screw, 5/16-18 x 2.75
31	710-3008	Hex Head Screw, 5/16-18 x .75
32	710-3022	Hex Head Screw, 3/8-16 x 2.75
33	710-04482	Hex Head Flange, 3/8-16 x .875
34	712-04063	Flange Lock Nut, 5/16-18
35	712-04065	Flange Lock Nut, 3/8-16
36	712-0421	Wing Nut, 5/16-18 w/ Bell Washer
37	926-0106	Speed Nut Cap, 1/4 ROD
38	736-0204	Washer, Flat, .344 x .62 x .033
39	938-0849	Screw, Hex, 5/16-18 x .75
40	747-0432	Tiller Flap Rod
41	750-0885A	Spacer, .322 x .625 x 2.00
42	786-0090A-0691	Side Shield
43	786-0113A-0691	Rear Tine Shield
44	786-0176-0691	RH Handle Mount Bracket
45	786-0177-0691	LH Handle Mount Bracket
46	786-0178A-0691	Tine Shield
47	786-0179-0637	FRT Tine Shield Bracket
48	786-0180-0637	FRT Tine Shield Spacer Bracket
49	710-0382	Hex Head Screw, 1/2-20 x 5.50
50	712-0206	Hex Nut, 1/2-20
51	936-0921	Washer, Lock, 1/2
52	731-1595	Counterweight
53	936-0179	Washer, Flat, 1/2 x 1.25 x .100
54	710-0376	Hex Head Screw, 5/16-18 x 1.00

PARTS LIST

Craftsman Tiller — Model No. 247.29933



PARTS LIST

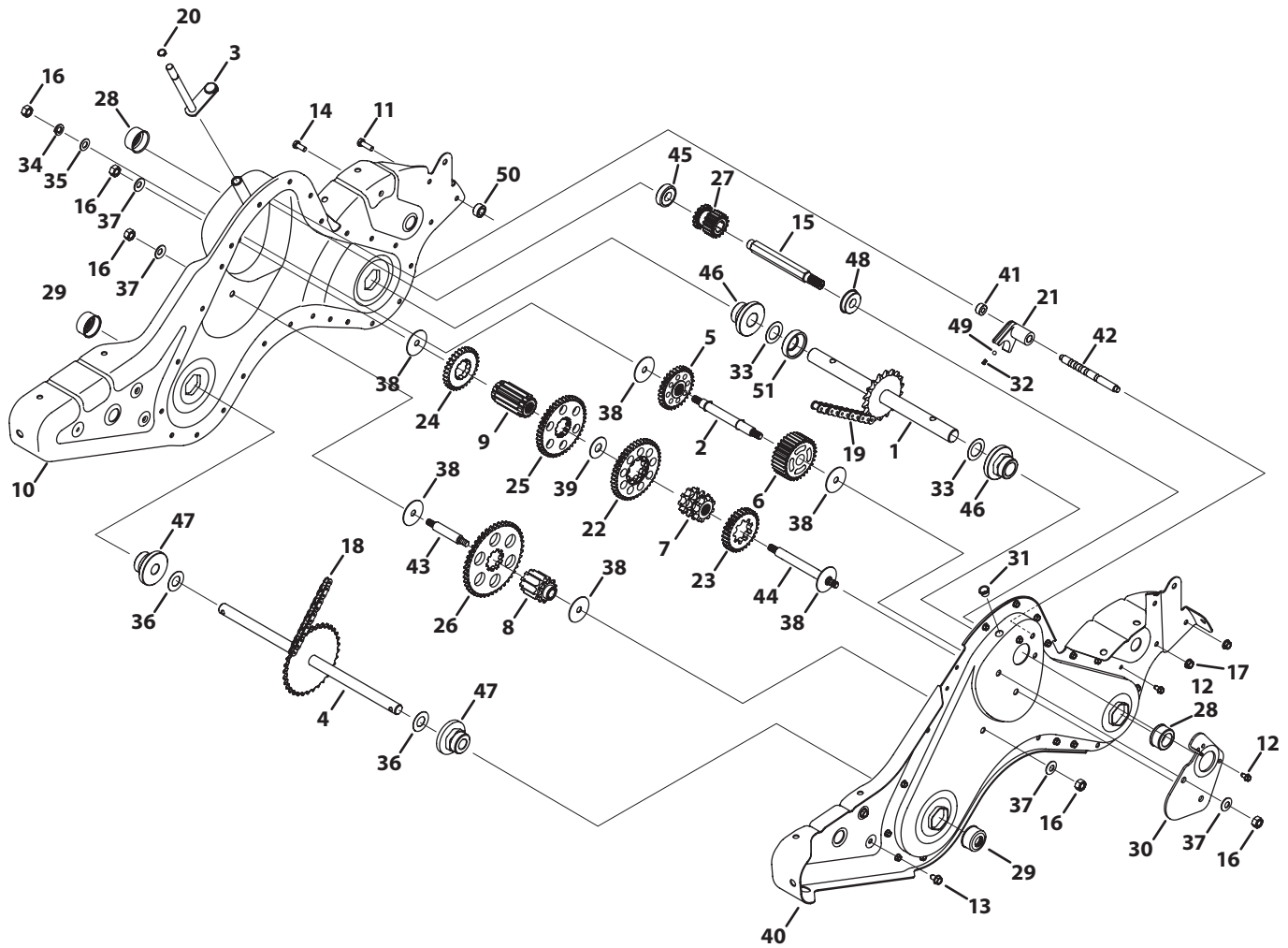
Craftsman Tiller — Model No. 247.29933

Ref. No.	Part No.	Description
1	686-0111-0637	Belt Cover Bracket Assembly
2	710-1039	Hex Head Screw, 3/8-24 x 1.00
3	710-0237	Hex Head Screw, 5/16-24 x .625
4	710-0412	Hex Head Screw, 1/4-28 x .75
5	710-0502A	Screw, 3/8-16 x 1.250
6	710-0599	Screw, 1/4-20 x 0.500
7	710-3005	Hex Head Screw, 3/8-16 x 1.25
8	731-07556	Cap
9	712-0266A	Jam Lock Nut, 3/8-16
10	742-0305A-0637	Articulating Tine
11	914-0104	Cotter Pin, .072 DIA. x 1.13 LG
12	936-0104	Washer, Lock, 5/16
13	936-0119	Washer, Lock, 5/16
14	936-0176	Washer, Flat, .265 x .938 x .120
15	784-0160-0637	Tine Adaptor Assembly
16	936-0271	Washer, Spring, .317 x .625 x .020
17	936-0329	Washer, Lock, 1/4
18	936-0452	Washer, Bell, .396 x 1.140 x .095
19	938-0876	Shoulder Nut, 7/16-20
20	746-1117	Clutch Cable
21	747-1159	Idler Pulley Rod
22	954-0434	Belt, 4L x 58.16 LG
23	756-0405	Flat Idler Pulley w/ Flanges, 3.75 O.D.
24	756-0971	Engine Pulley, Inner Half
25	756-0972	Engine Pulley, Outer Half
26	756-1162	Input Pulley, 4L x 8.594
27	786-0064A	Idler Pulley Bracket

Ref. No.	Part No.	Description
28	786-0185A-0637	Belt Keeper Bracket
29	786-0187-0637	Shift Cover Bracket
30	786-0193-0637	Idler Belt Keeper
31	686-0109A	Shift Crank Assembly
32	710-0653	Screw, 1/4-20:0.375
33	710-0896	Hex Washer Screw, 1/4-14 x .625
34	712-0392	Lock Nut ,Cap, 1/4-28
35	915-0120	Spiral Pin, 3/16 x 1.00
36	936-3020	Washer, Flat, .271 x .630 x .065
37	784-0158A-0691	Belt Cover
38	784-0208D-0691	Shift Cover
39	634-04654	Wheel, 16 x 4.6 x 8
40	710-05289	Hex Screw, 1/4-20 x 1.50
41	712-04064	Flange Lock Nut, 1/4-20
42	911-0415	Clevis Pin, .375 x 1.75
43	714-04043	Cotter Pin, Bow Tie
44	986-04074B	Complete Gear Case Assembly
45	712-3054	Hex Lock Nut, 3/8-24
46	936-0169	Washer, Lock, 3/8
47	936-0208	Washer, Flat, .51 x 1.5 x 0.07
48	936-0253	Washer, Bell, .525 x 1.00 x .050
49	938-0688	Screw, Shoulder, 3/8-24 x 1/2 x .325
50	938-0689	Screw, Shoulder, 3/8-24 x 1/2 x .180
51	710-0805	Hex Head Screw, 5/16-18 x 1.50
52	736-0242	Washer, Bell, .340 x .872 x .060
53	912-3010	Hex Nut, 5/16-18
54	BS-12S412-0523-B8	Replacement Engine

PARTS LIST

Craftsman Tiller — Model No. 247.29933



PARTS LIST

Craftsman Tiller — Model No. 247.29933

Ref. No.	Part No.	Description
1	611-0021	Shaft Assembly, Tine, 18T
2	611-0128	Shaft Assembly, Jack
3	611-0129	Shaft Assembly, Shift Input
4	611-04074A	Shaft Assembly, Wheel, 33T
5	617-0058	Gear Assembly, 30T Reverse Idler
6	617-0059	Gear Assembly, 30T Tine Idler
7	617-0060	Sprocket Assembly, 9T Tine Input
8	617-0061	Sprocket Assembly, 10T Wheel Input
9	617-0062	Gear Assembly, 11T
10	686-0108A-0637	RH Chain Case Housing Assembly
11	710-0376	Hex Head Screw, 5/16-18 x 1.00
12	710-0599	Screw, 1/4-20 x 0.500
13	710-0604A	Screw, :5/16-18 x 0.625
14	710-3008	Hex Head Screw, 5/16-18 x .75
15	711-1349	Input Shaft, .75
16	712-0378	Nut, Hex, 7/16-20
17	712-3004A	Flange Lock Nut, 5/16-18
18	913-0367	Endless Chain, #420 x 50 Links
19	913-0484	Endless Chain, #50 x 54 Links
20	716-0865	Snap Ring, .500
21	717-0853A	Clutch Collar
22	717-1582	Gear Spur, 44T
23	717-1583	Gear Spur, 30T
24	717-1584	Gear Spur, 30T
25	717-1585	Gear Spur, 44T
26	717-1587	Gear Spur, 44T

Ref. No.	Part No.	Description
27	717-1594	Gear Spur, 16T
28	921-0378	Shaft Seal, 1.0
29	721-0379	Shaft Seal, .75
30	786-0238	Positioner Gear Bracket
31	726-0277	Tapered Cap Plug
32	732-04778	Compression Spring, .230 OD
33	936-0163	Washer, Flat, 1.03 x 1.62 x .03
34	936-0171	Washer, Lock, 7/16
35	936-0226	Washer, Flat, .474 x .879 x .064
36	936-0351	Washer, Flat, .760 ID x 1.50 OD
37	736-0407	Washer, Bell, .45 x 1.00 x .062
38	736-0518	Washer, Thrust, .445 x 1.92 x .060
39	736-3088	Washer, Flat, 1.595 x .635 x .062
40	686-04129-0637	LH Chain Case Housing
41	750-0664	Spacer, .505 ID x .88 OD x .440
42	738-0645	Shaft Detent, .5 DIA
43	738-0648	Shaft, Jack, .625 x 2.385
44	738-04424A	Shaft, Jack, .6250 x 5.0050
45	741-0124	Ball Bearing, 17 x 40 x 12
46	941-0420	Flange Bearing, 1.0 x 2.5 x 1.38
47	741-0421	Flange Bearing, .75 x 2.5 x 1.38
48	941-0563	Ball Bearing, 17 x 40 x 12:6203
49	741-0862	Ball, Detent, .250
50	750-0258	Spacer, .315 x .750 x .375 LG
51	950-0570	Spacer, 1.0 ID x 2.0 OD x .5 LG

PARTS LIST

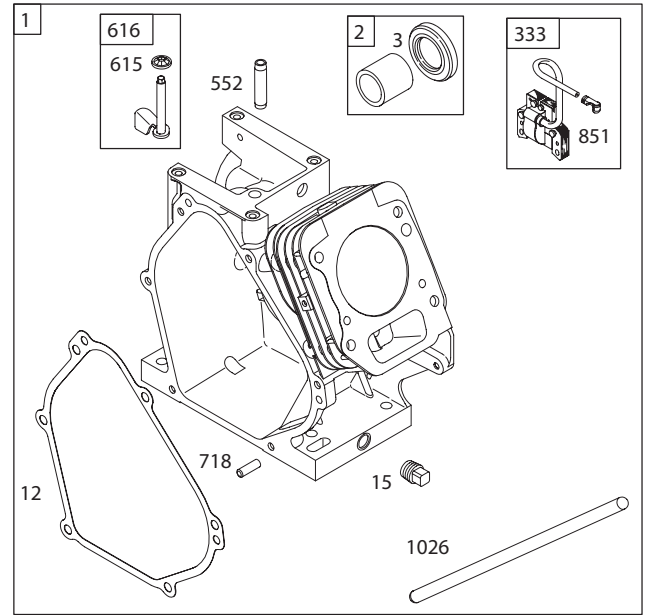
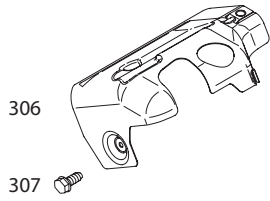
Briggs & Stratton Engine Model 12T102 For Craftsman Tiller Model 247.29933

48 SHORT BLOCK

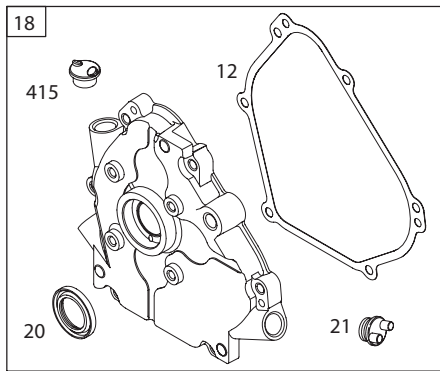
1058 OPERATOR'S MANUAL

1329 REPLACEMENT ENGINE

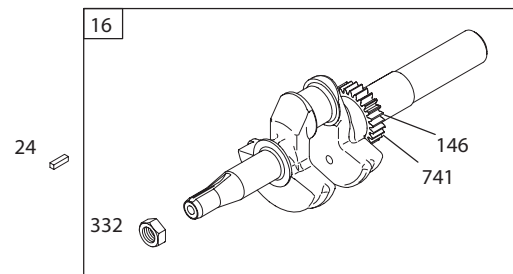
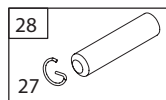
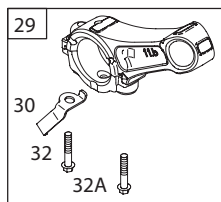
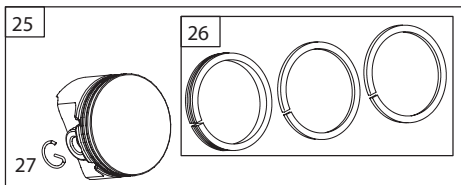
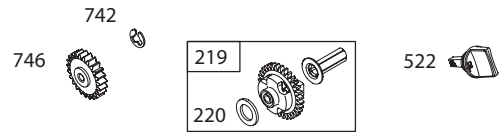
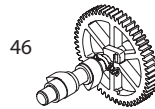
1330 REPAIR MANUAL



15A

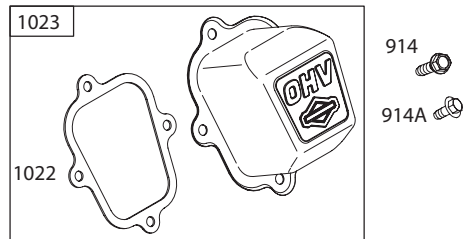
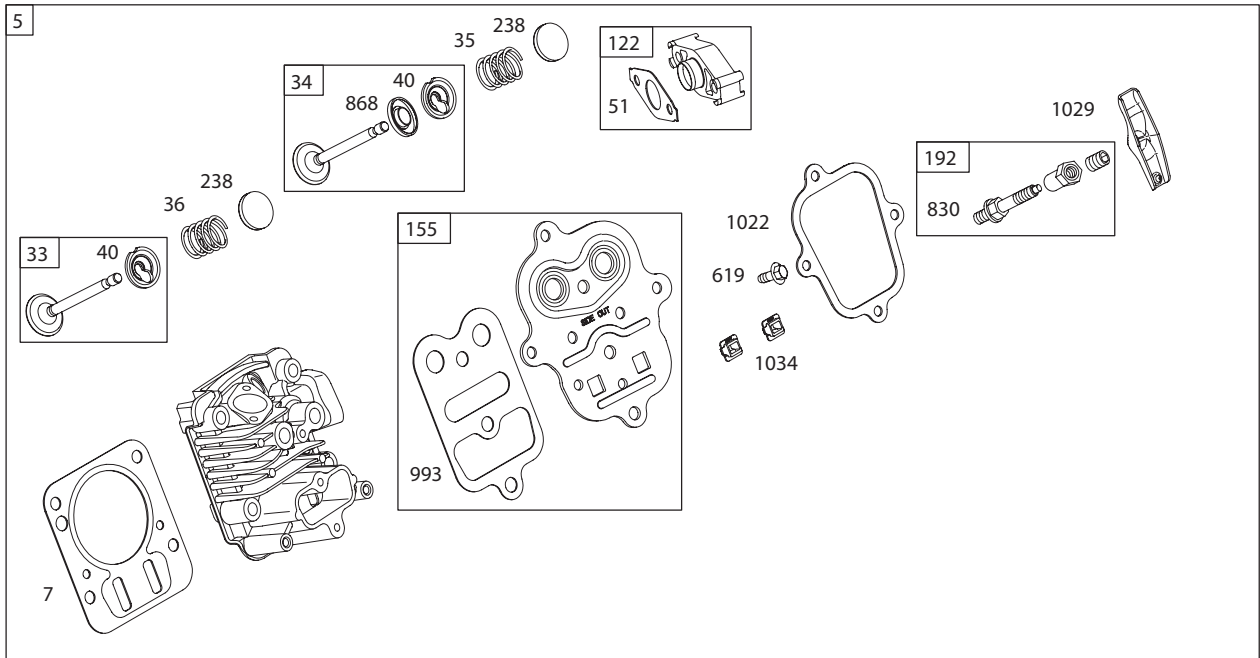
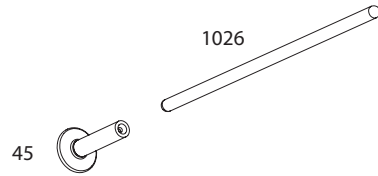
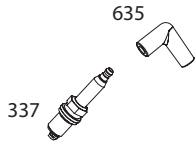


22



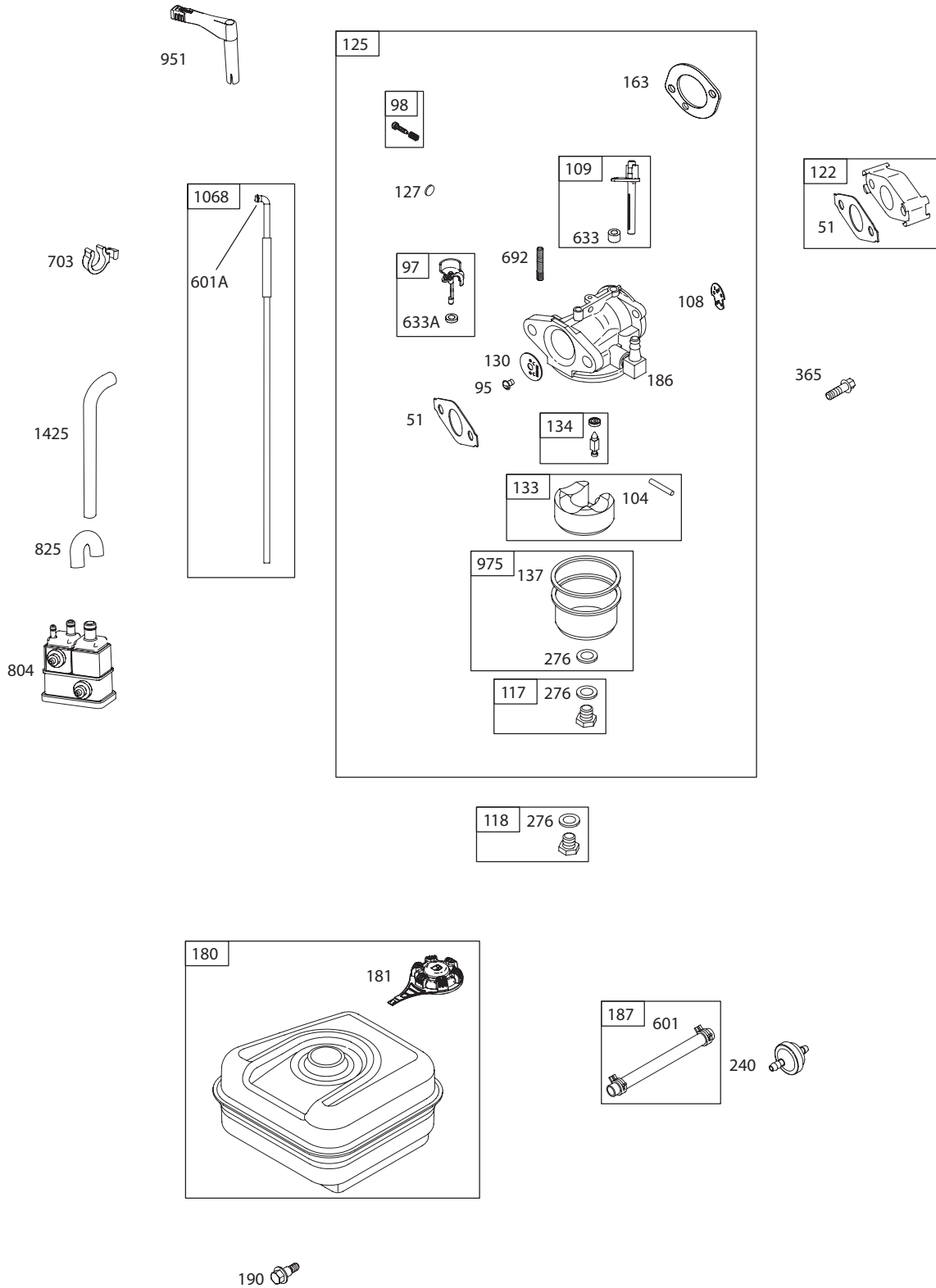
PARTS LIST

Briggs & Stratton Engine Model 12T102 For Craftsman Tiller Model 247.29933



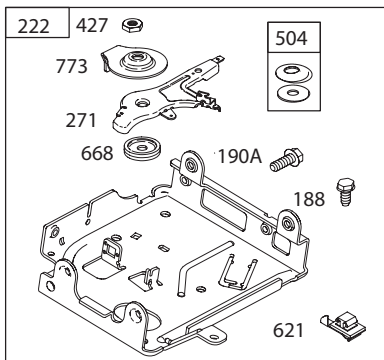
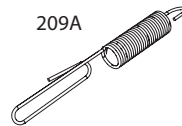
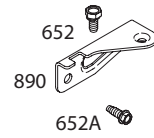
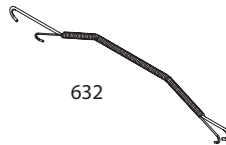
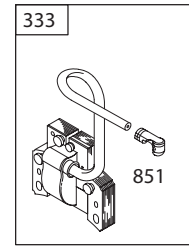
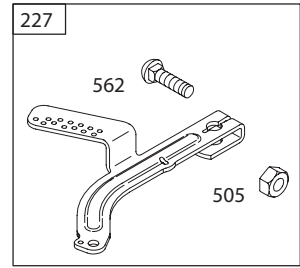
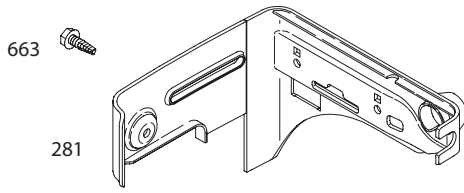
PARTS LIST

Briggs & Stratton Engine Model 12T102 For Craftsman Tiller Model 247.29933



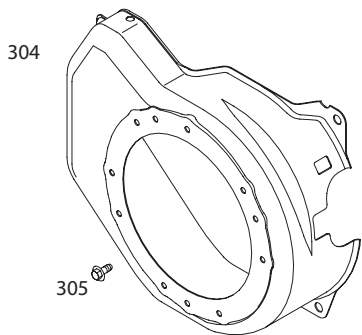
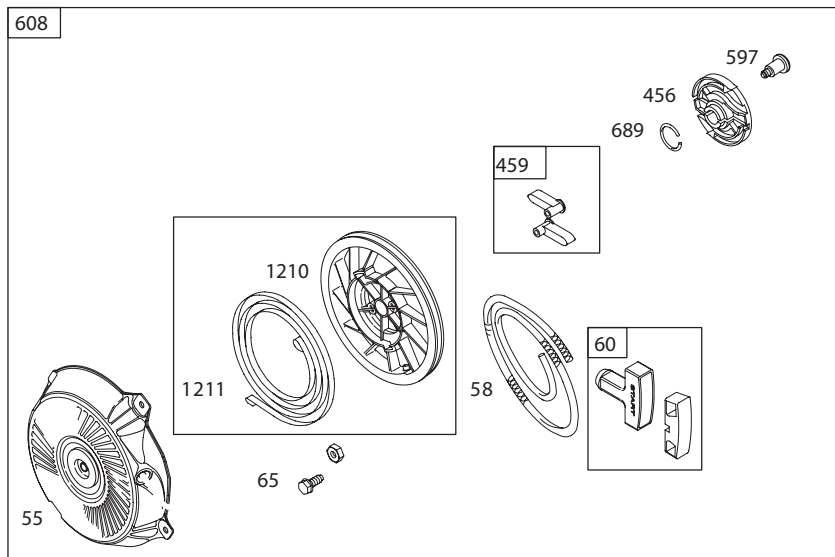
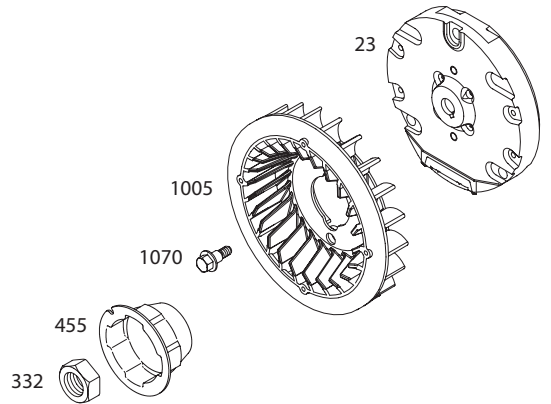
PARTS LIST

Briggs & Stratton Engine Model 12T102 For Craftsman Tiller Model 247.29933



PARTS LIST

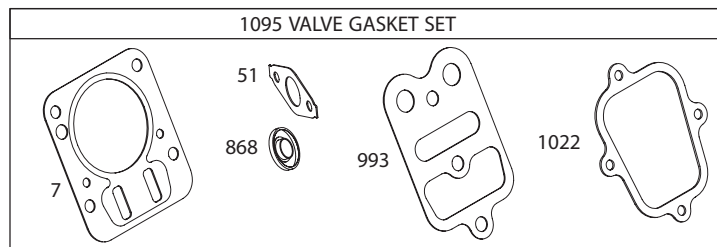
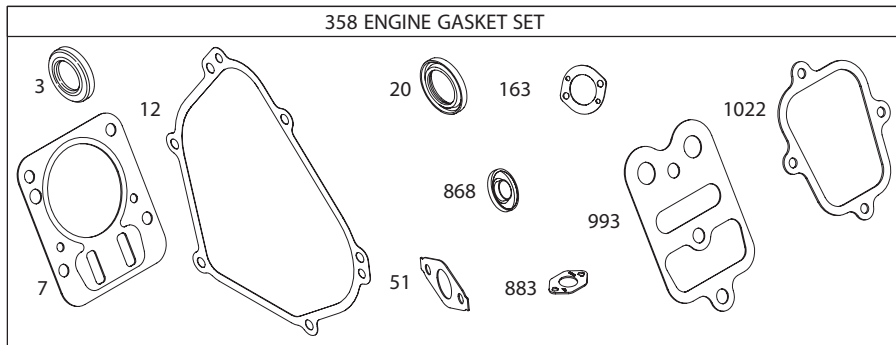
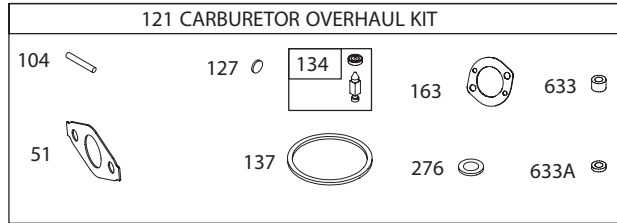
Briggs & Stratton Engine Model 12T102 For Craftsman Tiller Model 247.29933



1036 EMISSIONS LABEL

PARTS LIST

Briggs & Stratton Engine Model 12T102 For Craftsman Tiller Model 247.29933



PARTS LIST

Briggs & Stratton Engine Model 12T102 For Craftsman Tiller Model 247.29933

Ref. No.	Part No.	Description
1	BS-699510	Cylinder Assembly
2	BS-399269	Kit-Bushing/Seal (Magneto Side)
3	BS-299819s	Seal-Oil (Magneto Side)
5	BS-797439	Head-Cylinder
7	BS-698210	Gasket-Cylinder Head
11	BS-790632	Tube-Breather
12	BS-699485	Gasket-Crankcase
13	BS-699482	Screw (Cylinder Head)
15	BS-691686	Plug-Oil Drain
15A	BS-691682	Plug-Oil Drain
16	BS-797074	Crankshaft
18	BS-699696	Cover-Crankcase
20	BS-692550	Seal-Oil (PTO Side)
21	BS-281658s	Cap-Oil Fill
22	BS-699478	Screw (Crankcase Cover/Sump)
23	BS-699488	Flywheel
24	BS-222698s	Key-Flywheel
25	BS-795429	Piston Assembly (Standard)
	BS-795430	Piston Assembly (.020" Oversize)
26	BS-791969	Ring Set (Standard)
	BS-791969	Ring Set (.020" Oversize)
27	BS-691866	Lock-Piston Pin
28	BS-499423	Pin-Piston
29	BS-690124	Rod-Connecting
30	BS-791584	Dipper-Connecting Rod
32	BS-691664	Screw (Connecting Rod) (Short)
32A	BS-695759	Screw (Connecting Rod) (Long)
33	BS-499642	Valve-Exhaust
34	BS-795443	Valve-Intake
35	BS-691304	Spring-Valve (Intake)
36	BS-691304	Spring-Valve (Exhaust)
40	BS-692194	Retainer-Valve
45	BS-690977	Tappet-Valve
46	BS-693404	Camshaft
48	N/A	Short Block
51	BS-692555	Gasket-Intake
55	BS-791848	Housing-Rewind Starter
58	BS-693389	Rope-Starter
60	BS-490652	Grip-Starter Rope
65	BS-699228	Screw (Rewind Starter)
95	BS-691636	Screw (Throttle Valve)

Ref. No.	Part No.	Description
97	BS-690024	Shaft-Throttle
98	BS-398185	Kit-Idle Speed
104	BS-691242	Pin-Float Hinge
108	BS-692567	Valve-Choke
109	BS-790624	Shaft-Choke
117	BS-498978	Jet-Main (Standard)
118	BS-498975	Jet-Main (High Altitude)
121	BS-792006	Kit-Carburetor Overhaul
122	BS-795208	Spacer-Carburetor
125	BS-791077	Carburetor
127	BS-691739	Plug-Welch
130	BS-691181	Valve-Throttle
133	BS-398187	Float-Carburetor
134	BS-398188	Kit-Needle/Seat
137	BS-693981	Gasket-Float Bowl
146	BS-690979	Key-Timing
155	BS-797442	Plate-Cylinder Head
161	BS-795231	Base-Air Cleaner
163	BS-696024	Gasket-Air Cleaner
180	BS-795705	Tank-Fuel
181	BS-795221	Cap-Fuel Tank
186	BS-692317	Hose-Connector
187	BS-791766	Line-Fuel (Cut to Required Length)
188	BS-699479	Screw (Control Bracket)
190	BS-699220	Screw (Fuel Tank)
190A	BS-795047	Screw (Fuel Tank)
192	BS-797440	Adjuster-Rocker Arm
209	BS-691278	Spring-Governor (Platinum)
209A	BS-692571	Spring-Governor
219	BS-693578	Gear-Governor
220	BS-691724	Washer (Governor Gear)
222	BS-795669	Bracket-Control
227	BS-794367	Lever-Governor Control
238	BS-691300	Cap-Valve
240	BS-394358s	Filter-Fuel
271	BS-694256	Lever-Control
276	BS-271716	Washer-Sealing
281	BS-793133	Panel-Control
300	BS-693593	Muffler
304	BS-795219	Housing-Blower
305	BS-699480	Screw (Blower Housing)

PARTS LIST

Briggs & Stratton Engine Model 12T102 For Craftsman Tiller Model 247.29933

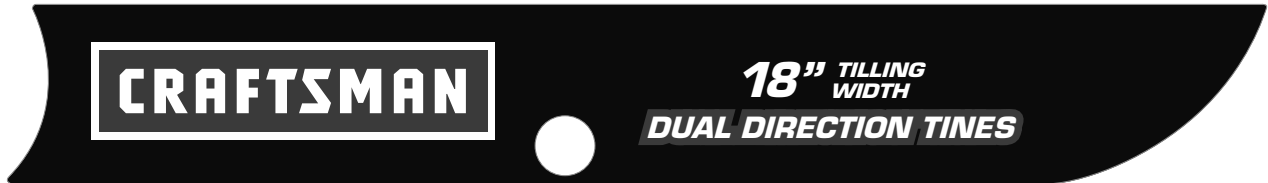
Ref. No.	Part No.	Description
306	BS-795334	Shield-Cylinder
307	BS-699483	Screw (Cylinder Shield)
332	BS-792723	Nut (Flywheel)
333	BS-796964	Armature-Magneto
334	BS-699477	Screw (Magneto Armature)
337	BS-491055s	Plug-Spark
356	BS-692390	Wire-Stop
358	BS-791797	Gasket Set-Engine
365	BS-699484	Screw (Carburetor)
415	BS-693463	Plug
427	BS-694255	Nut (Control Bracket)
445	BS-491588s	Filter-Air Cleaner Cartridge
455	BS-692591	Cup-Flywheel
456	BS-692299	Plate-Pawl Friction
459	BS-281505s	Pawl-Ratchet
504	BS-694254	Washer Set
505	BS-691251	Nut (Governor Control Lever)
522	BS-697689	Plug-Dipstick/Fill
552	BS-692346	Bushing-Governor Crank
562	BS-691119	Bolt (Governor Control Lever)
597	BS-691696	Screw (Pawl Friction Plate)
601	BS-791850	Clamp-Hose (Green)
601A	BS-795230	Clamp-Hose
608	BS-795930	Starter-Rewind
613	BS-791972	Screw (Muffler)
615	BS-692576	Retainer-Governor Shaft
616	BS-692547	Crank-Governor
619	BS-699230	Screw (Cylinder Head Plate)
621	BS-692310	Switch-Stop (Brake)
632	BS-693408	Spring/Link-Mechanical Governor
633	BS-693867	Seal-Choke/Throttle Shaft (Choke)
633A	BS-691321	Seal-Choke/Throttle Shaft (Throttle)
635	BS-692076	Boot-Spark Plug
652	BS-699230	Screw (Support Bracket)
652A	BS-699755	Screw (Support Bracket)
663	BS-699206	Screw (Control Panel)
668	BS-694257	Spacer
689	BS-691855	Spring-Friction
692	BS-690572	Spring-Detent
703	BS-795222	Clip
718	BS-690959	Pin-Locating

Ref. No.	Part No.	Description
741	BS-695087	Gear-Timing
742	BS-692564	Retainer-E Ring
746	BS-790278	Gear-Idler
773	BS-694258	Retainer
804	BS-795223	Canister-Carbon (EVAP)
825	BS-795226	Hose-Air
830	BS-797441	Stud-Rocker Arm
832	BS-693583	Guard-Muffler
836	BS-699632	Screw (Muffler Guard)
836A	BS-699203	Screw (Muffler Guard)
851	BS-493880s	Terminal-Spark Plug
868	BS-795440	Seal-Valve
883	BS-691893	Gasket-Exhaust
890	BS-790203	Bracket-Support
914	BS-699480	Screw (Rocker Cover) (Bottom)
914A	BS-797444	Screw (Rocker Cover)
951	BS-790630	Lever-Choke
967	BS-493537s	Filter-Air Cleaner Foam
968	BS-791082	Cover-Air Cleaner
975	BS-796611	Bowl-Fuel
993	BS-694088	Gasket-Cylinder Head Plate
1005	BS-692592	Fan-Flywheel
1022	BS-691890	Gasket-Rocker Cover
1023	BS-499924	Cover-Rocker
1026	BS-790287	Rod-Push
1029	BS-797443	Arm-Rocker
1034	BS-691343	Guide-Push Rod
1036		Label-Emissions (Available from a Briggs & Stratton Dealer)
1058	BS-277040	Operator's Manual
1068	BS-795229	Hose/Clamp Assembly
1070	BS-699201	Screw (Flywheel Fan)
1095	BS-791798	Gasket Set-Valve
1210	BS-791849	Pulley/Spring Assembly (Pulley)
1011	BS-791849	Pulley/Spring Assembly (Spring)
1329	BS-12S412-0523-B8	Replacement Engine
1330	BS-276781	Repair Manual
1395	BS-690370	Screw (Air Cleaner Base)
1425	BS-795227	Hose-Purge Line

Parts List

Craftsman Tiller Model No. 247.29933

777D15445



777S33508

DEPTH STAKE

TRANSPORT

- 1"
- 3"
- 5"
- 7"

⚠ WARNING

TO AVOID SERIOUS INJURY
Read the operator's manual.
Know location and functions of all controls.
Keep all safety devices and shields in place and working.
Never allow children or uninstructed adults to operate tiller.
Shut off engine before unclogging tines or making repairs.
Keep bystanders away from machine.
Keep away from rotating parts.
Use extreme caution when reversing or pulling the machine towards you.

KEEP AWAY FROM ROTATING TINES. ROTATING TINES WILL CAUSE INJURY.

⚠ WARNING Operation Of This Equipment May Create Sparks That Can Start Fires Around Dry Vegetation. A Spark Arrestor May Be Required. The Operator Should Contact Local Fire Agencies For Laws Or Regulations To Fire Prevention Requirements.

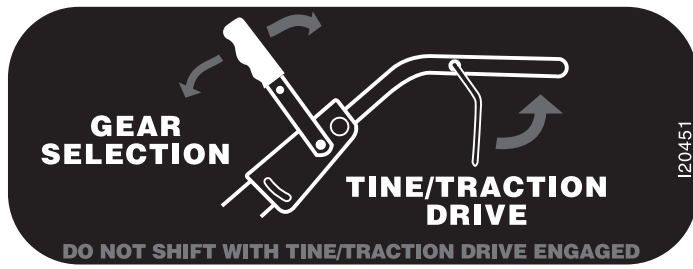
777I23106



777I20358

WHEN STARTING ENGINE PLACE FREE HAND HERE

777I20451



777D15446



777X43688

