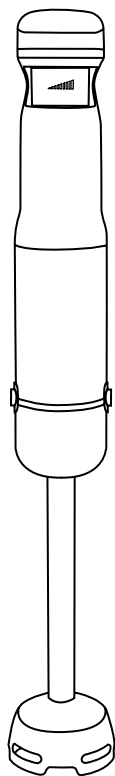


CREATE

FULLMIX TITAN CORDLESS



CORDLESS HAND BLENDER
BATIDORA DE MANO SIN CABLE

USER MANUAL

INDEX

ENGLISH

Security instructions	6
Safety during use	7
Parts list	8
Operating instructions	8
Hints and tips	10
Cleaning and maintenance	11

ESPAÑOL

Advertencias de seguridad	12
Seguridad durante el uso	13
Instrucciones de uso	14
Listado de partes	14
Trucos y consejos	16
Limpieza y mantenimiento	17

PORTUGUÊS

Advertências de segurança	18
Segurança durante o uso	19
Lista de peças	20
Instruções de uso	20
Truques e dicas	22
Limpeza e manutenção	23

FRANÇAIS

Avertissements de sécurité	24
Sécurité pendant l'utilisation	25
Liste des pièces	26
Mode d'emploi	26
Trucs et conseils	28
Nettoyage et entretien	29

INDEX

ITALIANO

Avvertenze sulla sicurezza	30
Sicurezza durante l'uso	31
Elenco delle parti	32
Istruzioni per l'uso	32
Trucchi e suggerimenti	34
Nettoyage et entretien	35

NEDERLANDS

Belangrijke veiligheidswaarschuwingen	42
Veiligheid tijdens gebruik	43
Onderdelen lijst	44
Gebruiksaanwijzing	44
Trucs en tips	46
Reiniging en onderhoud	47

DEUTSCH

Wichtige sicherheitsanweisungen	36
Sicherheit während des Gebrauchs	37
Liste der einzelteile	38
Gebrauchsanweisung	38
Tricks und tipps	40
Reinigung und instandhaltung	41

POLSKI

Ważne ostrzeżenia dotyczące bezpieczeństwa	48
Veiligheid tijdens gebruik	49
Instrukcja użycia	50
Lista części	50
Wskazówki i porady	52
Czyszczenie i konserwacja	53

Thank you for choosing our blender. Before using the appliance, and to ensure the best use, carefully read these instructions.

The safety precautions enclosed herein reduce the risk of death, injury and electrical shock when correctly adhered to. Keep the manual in a safe place for future reference, along with the completed warranty card, purchase receipt and package. If applicable, pass these instructions on to the next owner of the appliance. Always follow basic safety precautions and accident-prevention measures when using an electrical appliance. We assume no liability for customer failing to comply with these requirements.

SECURITY INSTRUCTIONS

Use the device only as described in the instructions. The company will not be held responsible for any damages which may derive from an improper use.

- The appliance is not intended to be operated by means of an external timer or separate remote control system.
- This appliance is not intended to be used by persons with reduced physical, sensory or mental capabilities, or lack of experience and knowledge, unless they have been given supervision or instruction concerning use of the appliance by a person responsible for their safety.
- Children should always be supervised to ensure that they do not play with this product.
- This appliance shall not be used by children. Keep the appliance, power adapter and charging base out of reach of children during and after use.
- Always inspect the appliance and appliance accessories before use for noticeable signs of damage. Do not use if damaged, or if the appliance has been dropped. In the event of damage, or if the appliance develops a fault, contact us.
- Do not use the appliance if the power cord is damaged. In the event of power cord damage, stop use immediately. If the power cord is damaged it must be replaced by the manufacturer. Return the appliance to us.
- Never pull the plug out of the mains socket by the cord.
- Do not wrap the power cord around the main body of the appliance during or after use.
- The appliance is safe to be left plugged into the electrical supply when not in use to ensure the batteries are always charged. It should however be unplugged before assembling, disassembling, cleaning or if not being used for a prolonged period of time.
- This product contains a Lithium Ion rechargeable battery pack that is not to be removed from the appliance for charging. The batteries in this appliance are non-replaceable by the end user. Only an authorized engineer should perform this task for safety reasons.
- For indoor, domestic use only.
- The supply terminal is not to be short circuited.
- This product complies fully with all appropriate EU and UK legislation and standards relevant to this type and class of appliance. We are an ISO9001:2015 certified company that continually evaluates our Quality Management System performance. If you have any queries regarding product safety and compliance, please contact our Customer Service Department.

- This appliance is intended to be used in household and similar applications such as: staff kitchen areas in shops, offices and other working environments, by clients in hotels, motels and other residential type environments.
- Switch off the appliance and disconnect from supply before changing accessories or approaching parts that move in use.
- The battery must be removed from the appliance before it is scrapped. The appliance must be disconnected from the supply mains when removing the battery and the battery is to be disposed of safely.
- For the purposes of recharging the battery pack, only use the detachable charging supply unit provided with this appliance.

WARNING: Polythene bags over the product or packaging may be dangerous. To avoid danger of suffocation, keep away from babies and children. These bags are not toys.

SAFETY DURING USE

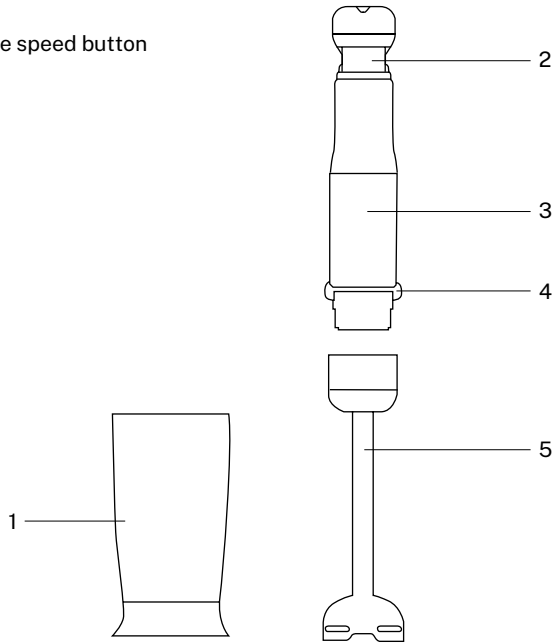
- The charger should be plugged into an electrical socket away from a sink or any hot surface.
- Do not charge the unit using an outdoor socket.
- To protect against electrical shock, do not put the charging stand or main unit in water or other liquids. The drive shaft of this appliance, where attachments are interchanged, has not been designed for submersion in water or other liquids. If the hand blender falls into liquid, remove immediately, clean and dry the unit thoroughly before continuing.
- Handle the blending shaft with extreme care, the blades are VERY sharp.
- To avoid splashing, always insert the attachment into the mixture before activating, and release the 'On/Off' button before removing.
- Avoid contact with moving parts. Keep hands, hair, clothing, as well as spatulas and other utensils away from attachments during operation to reduce risk of injury to persons, and/or damage to the appliances. A spatula may be used, but only when the unit is not operating.
- When mixing cool liquids, use a tall container or make small quantities at a time to reduce spillage.

WARNING: When mixing hot liquids, use a much larger container or process smaller quantities. Use extra care when working with hot liquids to avoid injury from overflowing, sudden steaming and splattering. In order to avoid scalds from steam it may be advisable to angle the blender slightly so that your hand is not directly above the steam.

- Prevent unintentional starting. Never press the 'Safety lock/unlock' button while pressing the 'On/Off' button unless you are ready to use your blender.
- Do not use this hand blender for anything other than its intended use of preparing foods and beverages.

PARTS LIST

1. Measuring cup
2. Unlock button and variable speed button
3. Motor
4. Release buttons
5. Blending shaft



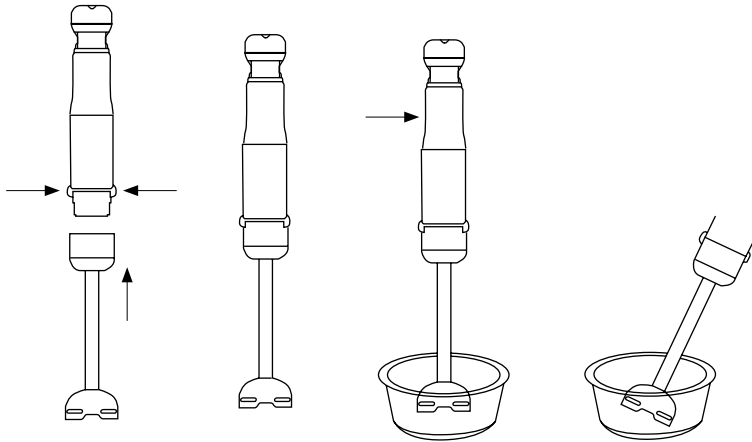
OPERATING INSTRUCTIONS

- Before first use, we recommend that you wipe the main unit with a clean, damp cloth to remove any dirt or dust. Dry it thoroughly with a soft absorbent cloth. Carefully clean all the attachments (except for the charging base, whisk gearbox and potato masher gearbox) in warm soapy water.
- Do not use abrasive cleaners, hard implements or a scourer. Take care when handling the blending shaft as the blades are very sharp.

INSTALLING THE BLENDING SHAFT

Use for blending/mixing tasks such as pureeing fruits and vegetables, mixing sauces, dressings, smoothies and blending soups to a smooth consistency. It is also ideal for combining dry ingredients and frothing milk.

ASSEMBLY



- The hand blender is perfectly suited for preparing dips, sauces, soups, mayonnaise and baby food as well as for mixing and milkshakes.

1. Insert the blender stick onto the motor unit until it locks.
 2. Introduce the hand blender in the vessel. Then press the variable speed button.
 3. Unplug the device first, then press the release buttons to remove the blending shaft after use.
- You can use the hand blender in the measuring beaker and just as well in any other vessel.

CHARGING THE HAND BLENDER

- The batteries in your hand blender have not been fully charged. Before using, the batteries must be charged until the green battery indicator light illuminates. With a full charge, your hand blender will run for approximately 15 minutes, depending on use. Your hand blender will be fully charged in approximately 3:30 hours.
- To charge the main unit, insert the adapter plug into a mains supply outlet and insert the lead into the charging port.

Battery Life Indicator Lights:

- Green: Between 100% and 25% of battery power.
- Red: Less than 25% and will need to charge soon.

Note: Do not leave your hand blender uncharged for an extended period of time, as it will affect the life of the rechargeable battery.

- If the battery has completely run down on the unit, it will not operate while it is plugged in and charging.

OPERATION

- To use the hand blender, press the unlock button and variable speed button to unlock the appliance.
- Then, press the variable speed button again to operate the appliance.
- The appliance has a safety feature and will automatically lock again 3 seconds after the variable speed button is released. Follow the same sequence as above to re-activate the blender.

Speed settings

- To adjust the speed settings, press the variable speed button with different force. Use the speed indicators to check your current speed. The current speed is shown by the number of blue lights illuminated above the device (1 is the lowest setting and 5 is the highest).
- **Note:** The product comes with an overload protection feature. If the unit stops unexpectedly, it will cut out and the battery power indication light will illuminate red. You can reactivate by pressing the variable speed button.
- **WARNING:** Keep hands, hair, clothing, as well as spatulas and other utensils away from the whisk attachment during operation to reduce risk of injury to persons, and/or damage to the appliance. A spatula may be used, but not only when the unit is not operating.

HITS AND TIPS

- The blade mixes and stirs while adding only a small amount of air to your mixture.
- To avoid splashing, insert the hand blender into the mixture before activating, and release the 'ON/OFF' button before removing the hand blender out of the mixture.
- Use a gentle up and down motion whilst ensuring the protective blade guard on the blending shaft remains fully submerged in the liquid to avoid splatter (tilt the pan or bowl away from you to create a deeper area for blending).
- When blending in a non-stick pan/container, be careful not to scratch the coating with your hand blender.
- When blending in a saucepan over heat, remove the pan from the heat source to protect the hand blender from overheating. The blending shaft is safe to be used for food/liquid up to 100 °C.
- When mixing liquids (especially hot liquids) use a tall container or make small quantities at a time to reduce spillage, splattering and possibility of injury from burning.
- When pureeing soups, use a medium speed to firstly break up the large, already tender ingredients, then gradually increase the speed to high for a smooth finish.
- **WARNINGS:**
 - Be careful never to remove the blending shaft the liquid while in operation as it will splatter.
 - Do not left the hand blender stand in a hot pot over heat while not in use.
 - Do not attempt to blend fruit pits, bones or other hard materials as these are liable to damage the blade.
 - Do not overfill chosen mixing containers. The level of mixture will rise when blending and can overflow.
 - Do not put fingers near the blades. To dislodge food; unplug the hand blender from the electrical supply first.

CLEANING AND MAINTENANCE

- Always clean the appliance thoroughly after use.

Main unit:

- Ensure any attachment has been removed from the unit.
- Clean the main unit and charging stand with a sponge or damp cloth only. Do not use abrasive cleaners that could scratch the surface.

Blending Shaft:

- Release the attachment from the main unit.
- To clean the blending shaft, wash by hand using warm, soapy water or place on the top rack of the dishwasher.
- **Warning:** Be aware of the fixed razor-sharp edges of the blades, they are very sharp and should be handled carefully to avoid injury.



In compliance with Directives: 2012/19/EU and 2015/863/EU on the restriction of the use of dangerous substances in electric and electronic equipment as well as their waste disposal. The symbol with the crossed dustbin shown on the package indicates that the product at the end of its service life shall be collected as separate waste. Therefore, any products that have reached the end of their useful life must be given to waste disposal centres specialising in separate collection of waste electrical and electronic equipment, or given back to the retailer at the time of purchasing new similar equipment, on a one for one basis. The adequate separate collection for the subsequent start-up of the equipment sent to be recycled, treated and disposed of in an environmentally compatible way contributes to preventing possible negative effects on the environment and health and optimises the recycling and reuse of components making up the apparatus. Abusive disposal of the product by the user involves application of the administrative sanctions according to the laws.

Gracias por elegir nuestra batidora. Antes de utilizar este electrodoméstico y para asegurar su mejor uso, por favor, lea detenidamente las instrucciones.

Las medidas de seguridad aquí indicadas reducen el riesgo de incendio, descarga eléctrica y lesiones cuando se siguen correctamente. Guarde el manual en un lugar seguro para futuras referencias, así como la garantía, el recibo de compra y la caja. Si procede, entregue estas instrucciones al futuro propietario del electrodoméstico. Siempre siga las instrucciones básicas de seguridad y las medidas de prevención de riesgos cuando utilice un electrodoméstico eléctrico. El fabricante no se responsabilizará de ningún daño derivado del incumplimiento de estas instrucciones por parte del usuario.

ADVERTENCIAS DE SEGURIDAD

Utilice el dispositivo sólo como se describe en las instrucciones. La empresa no se hace responsable de los daños que puedan derivarse de un uso indebido.

- Este aparato no está diseñado para funcionar mediante un temporizador externo o un sistema de control remoto independiente.
- Este aparato no está diseñado para ser utilizado por personas con capacidades físicas, sensoriales o mentales reducidas, o falta de experiencia y conocimiento, a menos que hayan recibido supervisión o instrucciones sobre el uso del aparato por parte de una persona responsable de su seguridad.
- Los niños siempre deben ser supervisados para asegurarse de que no jueguen con este producto.
- Este aparato no debe ser utilizado por niños. Mantenga el aparato, el adaptador de corriente y la base de carga fuera del alcance de los niños durante y después del uso.
- Siempre inspeccione el electrodoméstico y los accesorios del electrodoméstico antes de usarlo para detectar signos notables de daños. No lo use si está dañado o si el aparato se ha caído. En caso de daños, o si el aparato presenta algún fallo, contáctenos.
- No utilice el aparato si el cable de alimentación está dañado. En caso de daños en el cable de alimentación, deje de usarlo inmediatamente. Si el cable de alimentación está dañado, debe ser reemplazado por el fabricante. Devuélvanos el aparato.
- Nunca desconecte el enchufe de la toma de corriente tirando del cable.
- No enrolle el cable de alimentación alrededor del cuerpo principal del aparato durante o después del uso.
- Es seguro dejar el aparato enchufado al suministro eléctrico cuando no esté en uso para garantizar que las baterías siempre estén cargadas. Sin embargo, debe desenchufarse antes de montarlo, desmontarlo, limpiarlo o si no se usa durante un período prolongado de tiempo.
- Este producto contiene una batería recargable de iones de litio que no se debe retirar del dispositivo para cargarla. El usuario final no puede reemplazar las baterías de este aparato. Solo un ingeniero autorizado debe realizar esta tarea por razones de seguridad.
- Solo para uso doméstico en interiores.
- El terminal de alimentación no se debe cortocircuitar.
- Este producto cumple con todas las leyes y normas de la UE y el Reino Unido correspondientes a este tipo y clase de electrodomésticos. Somos una empresa certificada ISO9001: 2015 que evalúa continuamente el desempeño de nuestro Sistema de Gestión de Calidad. Si tiene alguna duda sobre la seguridad y el cumplimiento del producto, comuníquese con nuestro Departamento de Servicio al Cliente.

- Este electrodoméstico está destinado a ser utilizado en aplicaciones domésticas y similares, tales como: áreas de cocina del personal en tiendas, oficinas y otros entornos de trabajo; por clientes en hoteles, moteles y otros entornos de tipo residencial.
- Apague el aparato y desconéctelo del suministro antes de cambiar los accesorios o acercarse a las piezas que se mueven en uso.
- La batería debe retirarse del aparato antes de que se deseche. El electrodoméstico debe desconectarse de la red eléctrica de suministro al extraer la batería y la batería debe desecharse de manera segura.
- Para recargar la batería, utilice únicamente la unidad de suministro de carga desmontable que se proporciona.

ADVERTENCIA: Las bolsas de polietileno sobre el producto o el embalaje pueden ser peligrosas. Para evitar el peligro de asfixia, manténgase alejado de bebés y niños. Estas bolsas no son juguetes.

SEGURIDAD DURANTE EL USO

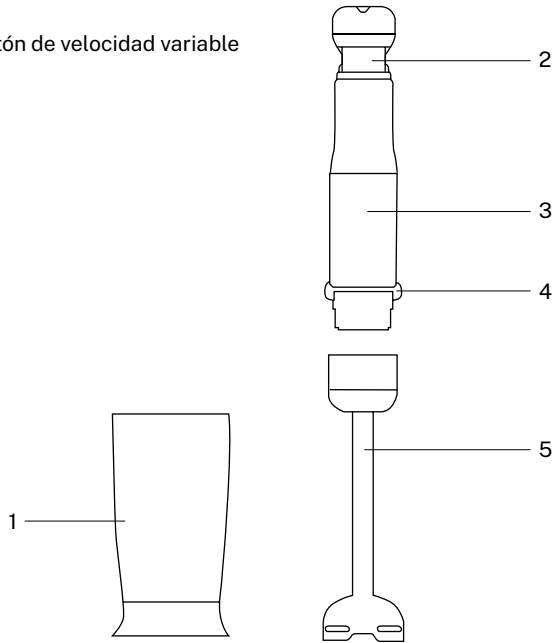
- El cargador debe enchufarse a una toma de corriente lejos de un fregadero o de cualquier superficie caliente.
- No cargue la unidad con un enchufe externo.
- Para protegerse contra descargas eléctricas, no coloque el soporte de carga o la unidad principal en agua u otros líquidos. El eje de accionamiento de este aparato, donde los accesorios se intercambian, no ha sido diseñado para sumergirse en agua u otros líquidos. Si la batidora de mano cae en líquido, retírela inmediatamente. Limpie y seque la unidad completamente antes de continuar.
- Maneje el eje de mezcla con extremo cuidado, las cuchillas están MUY afiladas.
- Para evitar salpicaduras, inserte siempre el accesorio en la mezcla antes de activarlo y suelte el botón de encendido antes de retirarlo de la mezcla.
- Evitar el contacto con las partes móviles. Mantenga las manos, el cabello, la ropa, así como las espátulas y otros utensilios lejos de los accesorios durante la operación para reducir el riesgo de lesiones a las personas y / o daños a los electrodomésticos. Se puede usar una espátula, pero solo cuando la unidad no está funcionando.
- Cuando mezcle líquidos fríos, use un recipiente alto o haga pequeñas cantidades a la vez para reducir el derrame.

ADVERTENCIA: Cuando mezcle líquidos calientes, use un recipiente mucho más grande o procese cantidades más pequeñas. Tenga mucho cuidado al trabajar con líquidos calientes para evitar lesiones por desbordamiento, vapor repentino y salpicaduras. Para evitar escaldaduras por el vapor, puede ser recomendable inclinar ligeramente la batidora para que su mano no esté directamente sobre el vapor.

- Prevenir arranques involuntarios: Nunca presione el botón de Bloqueo de seguridad mientras presiona el botón de encendido a menos que esté listo para usar su batidora.
- No use esta batidora de mano para otra cosa que no sea el uso previsto para preparar alimentos y bebidas.

LISTADO DE PARTES

1. Recipiente medidor
2. Botón de desbloqueo y botón de velocidad variable
3. Motor
4. Botones liberadores
5. Eje de mezcla



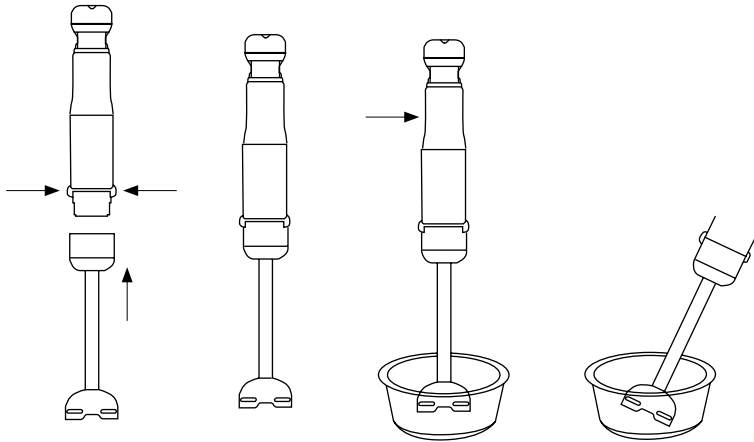
INSTRUCCIONES DE USO

- Antes del primer uso, le recomendamos que limpie la unidad principal con un paño limpio y húmedo para eliminar la suciedad o el polvo. Séquelo bien con un paño suave y absorbente. Limpie cuidadosamente todos los accesorios (excepto la base de carga y el eje de accionamiento de la batidora) en agua jabonosa tibia.
- No use limpiadores abrasivos, implementos duros o estropajos. Tenga cuidado al manipular el eje de mezcla ya que las cuchillas están muy afiladas.

COLOCAR EL EJE DE MEZCLA

Se utiliza para mezclar o triturar, como hacer puré de frutas y verduras, mezclar salsas, aderezos, batidos y sopas de mezcla para obtener una consistencia suave. También es ideal para combinar ingredientes secos y espuma de leche.

MONTAJE



• La batidora de mano es ideal para preparar salsas, sopas, mayonesa y alimentos para bebés, así como para mezclar y preparar batidos.

1. Inserte el eje de mezcla en la unidad del motor hasta que se bloquee.
2. Introduzca la batidora de mano en el recipiente. Luego presione el botón de velocidad variable.
3. Desenchufe el dispositivo primero, luego presione los botones de liberación para quitar el eje de mezcla después de su uso.

• Puede usar la batidora de mano en el recipiente medidor o en cualquier otro recipiente.

CARGAR LA BATIRDORA

• La batería de la batidora de mano no viene cargada completamente de fábrica. Antes de usarla, la batería debe cargarse hasta que se encienda la luz indicadora verde de la batería. Con una carga completa, su batidora de mano funcionará durante aproximadamente 15 minutos, dependiendo del uso. La batidora de mano se cargará completamente en aproximadamente 3:30 horas.

• Para cargar la unidad principal, inserte el enchufe del adaptador en una toma de corriente e inserte el cable en el puerto de carga.

• Luces indicadoras de duración de la batería:

- Verde: entre 100 % y 25 % de energía de la batería.
- Rojo: menos del 25 % y deberá ponerse a cargar pronto.

Nota: No deje su batidora de mano sin carga durante un período prolongado, ya que afectará la vida útil de la batería recargable.

• Si la batería se ha agotado por completo en la unidad, no funcionará mientras esté enchufada y cargándose.

FUNCIONAMIENTO

- Para usar la batidora de mano, pulse el botón de desbloqueo y de velocidad variable para desbloquear el aparato.
- Seguidamente, pulse el botón de velocidad variable para poner el aparato en funcionamiento.
- El aparato tiene una función de seguridad y se bloqueará automáticamente de nuevo 3 segundos después de que se suelte el botón de velocidad variable. Siga la misma secuencia que la anterior para reactivar la batidora.

Ajustes de velocidad

- Para ajustar la configuración de velocidad, presione el botón de velocidad variable con diferente fuerza. Use los indicadores de velocidad para verificar su velocidad actual. La velocidad actual se muestra por la cantidad de luces azules iluminadas en la parte superior del dispositivo (1 es la configuración más baja y 5 es la más alta).
- **Nota:** El producto viene con una función de protección contra sobrecarga. Si la unidad se detiene inesperadamente, se cortará y la luz indicadora de energía de la batería se iluminará en rojo. Puede reactivar presionando el botón de velocidad variable.
- **ADVERTENCIA:** Mantenga las manos, el cabello, la ropa, así como las espátulas y otros utensilios lejos del accesorio del batidor durante el uso para reducir el riesgo de lesiones a las personas y / o daños al electrodoméstico. Se puede usar una espátula, pero solo cuando la unidad no está funcionando.

TRUCOS Y CONSEJOS

- La cuchilla mezcla y remueve mientras agrega solo una pequeña cantidad de aire a la mezcla.
- Para evitar salpicaduras, inserte la batidora manual en la mezcla antes de activarla y suelte el botón de encendido antes de retirar la batidora manual de la mezcla.
- Use un movimiento suave hacia arriba y hacia abajo mientras se asegura de que el protector de la cuchilla en el eje de mezcla permanezca completamente sumergido en el líquido para evitar salpicaduras (incline el recipiente hacia afuera para crear un área más profunda para la mezcla).
- Al mezclar en un recipiente antiadherente, tenga cuidado de no rayar el revestimiento con la batidora de mano.
- Cuando mezcle en una cacerola sobre el fuego, retire la cacerola de la fuente de calor para evitar que la batidora se sobrecaliente. El eje de mezcla es seguro para ser utilizado con alimentos o líquidos hasta 100 °C.
- Cuando mezcle líquidos (especialmente líquidos calientes) use un recipiente alto o haga pequeñas cantidades a la vez para reducir el riesgo de derrame, las salpicaduras y la posibilidad de lesiones por quemaduras.
- Cuando haga puré o sopas, use una velocidad media para romper primero los ingredientes grandes y tiernos, luego aumente gradualmente la velocidad hasta la más alta para obtener un acabado suave.
- **PRECAUCIONES:**
 - Tenga cuidado de nunca retirar el eje de mezcla del líquido mientras está en funcionamiento, ya que salpicará.
 - No deje la batidora de mano en una olla caliente sobre el calor mientras no esté en uso.
 - No intente mezclar huesos o semillas de frutas, huesos u otros materiales duros, ya que pueden dañar la cuchilla.

- No llene en exceso los recipientes de mezcla elegidos. El nivel de la mezcla aumentará al mezclar y puede desbordarse.
- No coloque los dedos cerca de las cuchillas. Para desalojar alimentos; desconecte la batidora de mano del suministro eléctrico primero.

LIMPIEZA Y MANTENIMIENTO

- Siempre limpie el aparato a fondo después de su uso.

Unidad principal:

- Asegúrese de que se haya quitado cualquier accesorio de la unidad.
- Limpie la unidad principal y el soporte de carga solo con una esponja o paño húmedo. No use limpiadores abrasivos que puedan rayar la superficie.

Eje de mezcla:

- Suelte el accesorio de la unidad principal.
- Para limpiar el eje de mezcla, lávelo a mano con agua tibia y jabón o colóquelo en la rejilla superior del lavavajillas.
- **Advertencia:** Tenga en cuenta los bordes afilados fijos de las cuchillas, que son muy afilados y deben manipularse con cuidado para evitar lesiones.



En cumplimiento de las directivas: 2012/19 / UE y 2015/863 / UE sobre la restricción del uso de sustancias peligrosas en equipos eléctricos y electrónicos, así como su eliminación de residuos. El símbolo con el cubo de basura cruzado que se muestra en el paquete indica que el producto al final de su vida útil se recogerá como residuo separado. Por lo tanto, cualquier producto que haya llegado al final de su vida útil debe entregarse a centros de eliminación de residuos especializados en la recogida selectiva de equipos eléctricos y electrónicos de desecho, o devolverse al minorista al momento de comprar equipos nuevos similares, en uno para Una base. La recolección separada adecuada para la posterior puesta en marcha de los equipos enviados para ser reciclados, tratados y eliminados de una manera compatible con el medio ambiente contribuye a prevenir posibles efectos negativos sobre el medio ambiente y la salud y optimiza el reciclaje y la reutilización de los componentes que componen el aparato. La eliminación abusiva del producto por parte del usuario implica la aplicación de las sanciones administrativas de acuerdo con las leyes.

Obrigado por escolher a nossa batedeira. Antes de utilizar este eletrodoméstico e de modo a assegurar a sua melhor utilização, leia atentamente as instruções.

As medidas de segurança aqui indicadas, quando seguidas corretamente, reduzem o risco de incêndio, de descarga elétrica e de lesões. Guarde o manual num lugar seguro, para referência futura, assim como a garantia, o recibo de compra e a caixa. Se for conveniente, entregue estas instruções ao futuro proprietário do eletrodoméstico. Aquando da utilização do eletrodoméstico elétrico, siga sempre as instruções básicas de segurança e as medidas de prevenção de riscos. O fabricante não se responsabilizará por qualquer dano resultante do incumprimento destas instruções por parte do utilizador.

ADVERTÊNCIAS DE SEGURANÇA

Use o dispositivo apenas como descrito nas instruções. A empresa não se responsabiliza por quaisquer danos que possam resultar do uso inadequado.

- Este aparelho não foi projetado para operar usando um timer externo ou um sistema de controle remoto separado.
- Este dispositivo não se destina ao uso por pessoas com habilidades físicas, sensoriais ou mentais reduzidas, ou falta de experiência e conhecimento, a menos que tenham recebido supervisão ou instruções sobre o uso do dispositivo por uma pessoa responsável por sua segurança.
- As crianças devem sempre ser supervisionadas para garantir que não brinquem com este produto.
- Este aparelho não deve ser utilizado por crianças. Mantenha o aparelho, o adaptador de energia e a base de carregamento fora do alcance das crianças durante e após o uso.
- Inspeccione sempre o aparelho e os acessórios do aparelho antes de usá-lo quanto a sinais visíveis de danos. Não use se estiver danificado ou se o aparelho caiu. Em caso de danos ou se o dispositivo apresentar uma falha, entre em contato conosco.
- Não use o aparelho se o cabo de alimentação estiver danificado. No caso de danos no cabo de alimentação, interrompa o uso imediatamente. Se o cabo de alimentação estiver danificado, ele deverá ser substituído pelo fabricante. Devolva-nos o dispositivo.
- Nunca desconecte o plugue da tomada puxando pelo cabo.
- Não enrole o cabo de alimentação ao redor do corpo principal do aparelho durante ou após o uso.
- É seguro deixar o aparelho conectado à fonte de alimentação quando não estiver em uso, para garantir que as baterias estejam sempre carregadas. No entanto, ele deve ser desconectado antes da montagem, desmontagem, limpeza ou se não for usado por um longo período de tempo.
- Este produto contém uma bateria recarregável de íons de lítio que não deve ser removida do dispositivo para carregá-lo. O usuário final não pode substituir as baterias neste aparelho. Somente um engenheiro licenciado deve executar esta tarefa por razões de segurança.
- Apenas para uso doméstico interno.
- O terminal de alimentação não deve ser curto-circuitado.
- Este produto está em total conformidade com toda a legislação e normas da UE e do Reino Unido relevantes para este tipo e classe de aparelho. Somos uma empresa certificada ISO9001: 2015 que avalia continuamente o desempenho do nosso Sistema de Gestão da Qualidade. Se você tiver alguma dúvida sobre segurança e conformidade do produto, entre em contato com o Departamento de Atendimento ao Cliente.

- Este aparelho deve ser usado em aplicações domésticas e similares, como: áreas de cozinha para funcionários em lojas, escritórios e outros ambientes de trabalho, por clientes em hotéis, motéis e outros ambientes residenciais.
- Desligue o aparelho e desconecte-o do suprimento antes de trocar os acessórios ou se aproximar das peças que se movem em uso.
- A bateria deve ser removida do aparelho antes de ser descartada. O aparelho deve ser desconectado da rede elétrica ao remover a bateria e a bateria deve ser descartada com segurança.
- Para recarregar a bateria, use apenas a unidade de carregamento removível fornecida com este dispositivo.

ATENÇÃO: Sacos de polietileno no produto ou na embalagem podem ser perigosos. Para evitar o risco de asfixia, fique longe de bebês e crianças. Essas sacolas não são brinquedos.

SEGURANÇA DURANTE O USO

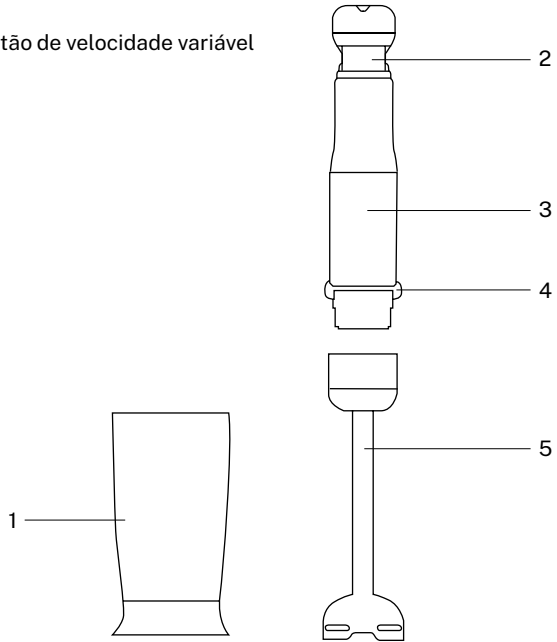
- O carregador deve ser conectado a uma tomada, longe de uma pia ou de qualquer superfície quente.
- Não carregue a unidade com um plugue externo.
- Para se proteger contra choques elétricos, não coloque o suporte de carregamento ou a unidade principal dentro de água ou outros líquidos. O eixo de transmissão deste aparelho, onde os acessórios são trocados, não foi projetado para ser imerso em água ou outros líquidos. Se a batadeira cair em um líquido, remova-a imediatamente. Limpe e seque a unidade completamente antes de continuar.
- Manuseie o eixo de mistura com extremo cuidado, as lâminas são MUITO afiadas.
- Para evitar respingos, sempre insira o acessório na mistura antes de ativá-lo e solte o botão liga / desliga antes de removê-lo da mistura.
- Evite o contato com peças móveis. Mantenha as mãos, cabelos, roupas, espátulas e outros utensílios longe de acessórios durante a operação para reduzir o risco de ferimentos a pessoas e / ou danos a eletrodomésticos. Uma espátula pode ser usada, mas somente quando a unidade não estiver funcionando.
- Ao misturar líquidos frios, use um recipiente alto ou faça pequenas quantidades de cada vez para reduzir o derramamento.

ATENÇÃO: Ao misturar líquidos quentes, use um recipiente muito maior ou processe quantidades menores. Tenha muito cuidado ao trabalhar com líquidos quentes para evitar ferimentos por transbordamento, vapor de flash e respingos. Para evitar queimaduras, é aconselhável inclinar o misturador levemente para que sua mão não fique diretamente sobre o vapor.

- Evite partidas não intencionais: Nunca pressione o botão Trava de Segurança "enquanto pressiona o botão liga / desliga, a menos que esteja pronto para usar o mixer.
- Não use este misturador manual para outra coisa senão o uso pretendido para preparar alimentos e bebidas.

LISTA DE PEÇAS

1. Recipiente de medição
2. Botão de desbloqueio e botão de velocidade variável
3. Motor
4. Botões de liberação
5. Eixo de mistura



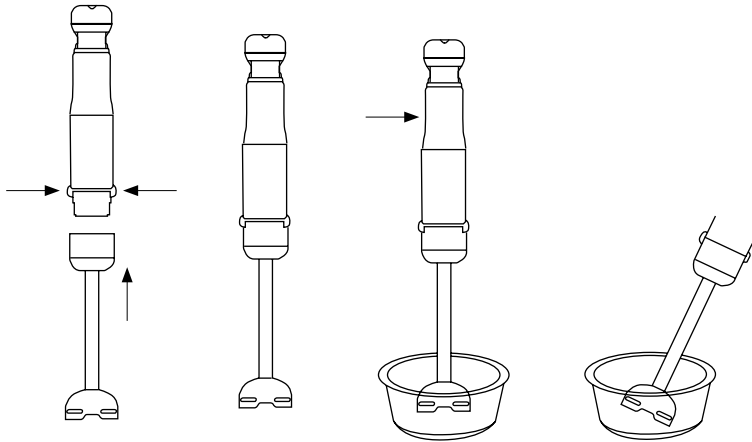
INSTRUÇÕES DE USO

- Antes da primeira utilização, recomendamos que limpe a unidade principal com um pano limpo e úmido para remover a sujeira ou poeira. Seque bem com um pano macio e absorvente. Limpe cuidadosamente todos os acessórios (exceto a base de carregamento e a caixa de engrenagens do batedor) em água morna e sabão.
- Não use produtos de limpeza abrasivos, instrumentos rígidos ou esfregões. Tenha cuidado ao manusear o eixo de mistura, pois as lâminas são muito afiadas.

INSTALAR O EIXO DE MISTURA

É usado para misturar ou moer, como triturar frutas e legumes, molhos, molhos, smoothies e sopas para obter uma consistência suave. Também é ideal para combinar ingredientes secos e espuma de leite.

MONTAGEM



- O misturador manual é ideal para preparar molhos, sopas, maionese e comida para bebê, bem como para misturar e preparar smoothies.
- 1. Insira o eixo de mistura na unidade do motor até travar.
- 2. Coloque a batedeira no recipiente. Em seguida, pressione o botão de velocidade variável.
- 3. Desconecte o dispositivo primeiro e pressione os botões de liberação para remover o eixo de mistura após o uso.
- Você pode usar o misturador manual no recipiente de medição ou em qualquer outro recipiente.

CARREGAR O LIQUIDIFICADOR MANUAL

- A bateria no misturador manual não está totalmente carregada na fábrica. Antes de usar, a bateria deve ser carregada até que a luz indicadora verde da bateria acenda. Com uma carga completa, o mixer de mão funcionará por aproximadamente 15 minutos, dependendo do uso. O mixer manual será carregado completamente em aproximadamente 3:30 horas.
- Para carregar a unidade principal, insira o plugue do adaptador na tomada e insira o cabo na porta de carregamento. **Luzes indicadoras de duração da bateria:**
- Verde: entre 100% e 25% da energia da bateria.
- Vermelho: menos de 25% e deve ser cobrado em breve.

Nota: Não deixe o mixer de mão sem carga por um longo período, pois isso afetará a vida útil da bateria recarregável.

- Se a bateria estiver completamente descarregada na unidade, ela não funcionará enquanto estiver conectada e carregando.

FUNCIONAMENTO

- Para usar a batedeira, pressione o botão de liberação e velocidade variável para destravar o aparelho.
- Em seguida, pressione o botão de velocidade variável para iniciar o aparelho.
- O aparelho tem uma função de segurança e trava automaticamente novamente 3 segundos depois que o botão de velocidade variável for liberado. Siga a mesma sequência que a anterior para reativar o mixer.

Configurações de velocidade

- Para ajustar a velocidade, pressione o botão de velocidade variável com força diferente. Use os indicadores de velocidade para verificar sua velocidade atual. A velocidade atual é mostrada pelo número de luzes azuis iluminadas na parte superior do dispositivo (1 é a configuração mais baixa e 5 é a mais alta).
- **Nota:** O produto vem com uma função de proteção contra sobrecarga. Se a unidade parar inesperadamente, ela será cortada e a luz indicadora de energia da bateria acenderá em vermelho. Você pode reativar pressionando o botão de velocidade variável.
- **ATENÇÃO:** Mantenha as mãos, cabelos, roupas, espátulas e outros utensílios longe do acessório da batedeira durante o uso para reduzir o risco de ferimentos a pessoas e / ou danos ao aparelho. Uma espátula pode ser usada, mas somente quando a unidade não estiver funcionando.

TRUQUES E DICAS

- A lâmina se mistura e remove, adicionando apenas uma pequena quantidade de ar à mistura.
- Para evitar respingos, insira o misturador manual na mistura antes de ativá-lo e solte o botão liga / desliga antes de remover o misturador manual da mistura.
- Use um movimento suave para cima e para baixo, garantindo que a proteção da lâmina no eixo de mistura permaneça totalmente submersa no líquido para evitar respingos (incline o recipiente para fora para criar uma área mais profunda para a mistura).
- Ao misturar em um recipiente antiaderente, tome cuidado para não riscar o revestimento com a batedeira.
- Ao misturar em uma panela sobre o calor, remova a panela da fonte de calor para evitar que o misturador superaqueça. O eixo de mistura é seguro para uso com alimentos ou líquidos até 100 °C.
- Ao misturar líquidos (especialmente líquidos quentes), use um recipiente alto ou faça pequenas quantidades de cada vez para reduzir o risco de derramamento, respingos e a possibilidade de queimaduras.
- Ao triturar ou sopas, use uma velocidade média para quebrar primeiro os ingredientes grandes e macios e depois aumente gradualmente a velocidade para um acabamento suave.
- **PRECAUÇÕES:**
 - Cuidado para nunca remover o eixo de mistura de líquidos enquanto estiver em funcionamento, pois ele espirra.
 - Não deixe a batedeira em uma panela quente em fogo enquanto não estiver em uso.
 - Não tente misturar caroços de frutas, caroços ou outros materiais duros, pois podem danificar a lâmina.

- Não encha demais os recipientes de mistura escolhidos. O nível da mistura aumentará ao misturar e poderá transbordar.
- Não coloque os dedos perto das lâminas. Desalojar comida; Desconecte o mixer de mão da fonte de alimentação elétrica primeiro.

LIMPEZA E MANUTENÇÃO

- Sempre limpe o aparelho cuidadosamente após o uso.

Unidade principal:

- Verifique se todos os acessórios foram removidos da unidade.
- Limpe a unidade principal e a base de carregamento apenas com uma esponja ou pano úmido. Não use produtos de limpeza abrasivos que possam arranhar a superfície.

Eixo de mistura:

- Retire o acessório da unidade principal.
- Para limpar o eixo de mistura, lave-o manualmente com água morna e sabão ou coloque-o na prateleira superior da máquina de lavar louça.
- **Atenção:** Observe as arestas afiadas das lâminas, muito afiadas e devem ser manuseadas com cuidado para evitar ferimentos.



Em conformidade com as diretrizes: 2012/19 / UE e 2015/863 / UE sobre a restrição do uso de substâncias perigosas em equipamentos elétricos e eletrônicos, bem como a eliminação de resíduos. O símbolo com o caixote do lixo cruzado mostrado na embalagem indica que o produto ao final de sua vida útil será coletado como lixo separado. Portanto, qualquer produto que tenha atingido o fim de sua vida útil deve ser entregue a centros especializados de eliminação de resíduos para coleta seletiva de equipamentos elétricos e eletrônicos, ou devolvido ao varejista ao comprar equipamentos novos similares, em um para uma base. A coleta seletiva apropriada para o comissionamento subsequente do equipamento enviado para reciclagem, tratamento e descarte de maneira ecológica ajuda a evitar possíveis efeitos negativos no meio ambiente e na saúde e otimiza a reciclagem e reutilização de os componentes que compõem o dispositivo. A eliminação abusiva do produto pelo usuário implica a aplicação de sanções administrativas de acordo com as leis.

Merci d'avoir choisi notre mixeur. Avant d'utiliser cet appareil et afin d'assurer une utilisation adéquate, veuillez lire attentivement ce mode d'emploi.

Les mesures de sécurité indiquées ici réduisent les risques d'incendie, de décharge électrique et de blessures, si elles sont correctement suivies. Conservez le manuel dans un endroit sûr pour vous y référer ultérieurement, ainsi que la garantie, le reçu d'achat et la boîte. Le cas échéant, donnez ces instructions au futur propriétaire de l'appareil. Respectez toujours les consignes de sécurité de base et les mesures de prévention des risques lors de l'utilisation d'un appareil électrique. Le fabricant n'est pas responsable des dommages résultant du non-respect de ces instructions par l'utilisateur.

AVERTISSEMENTS DE SÉCURITÉ

Utilisez l'appareil uniquement comme décrit dans les instructions. La société n'est pas responsable des dommages pouvant résulter d'une mauvaise utilisation.

- Cet appareil n'est pas conçu pour fonctionner avec une minuterie externe ou un système de télécommande séparé.
- Cet appareil n'est pas destiné à être utilisé par des personnes ayant des capacités physiques, sensorielles ou mentales réduites, ou un manque d'expérience et de connaissances, sauf si elles ont reçu une supervision ou des instructions sur l'utilisation de l'appareil d'une personne responsable de leur sécurité.
- Les enfants doivent toujours être surveillés pour s'assurer qu'ils ne jouent pas avec ce produit.
- Cet appareil ne doit pas être utilisé par des enfants. Gardez l'appareil, l'adaptateur secteur et la base de charge hors de portée des enfants pendant et après l'utilisation.
- Inspectez toujours l'appareil et les accessoires de l'appareil avant utilisation pour tout signe visible de dommage. Ne pas utiliser s'il est endommagé ou si l'appareil est tombé. En cas de dommage, ou en cas de panne de l'appareil, contactez-nous.
- N'utilisez pas l'appareil si le câble d'alimentation est endommagé. En cas d'endommagement du cordon d'alimentation, arrêtez immédiatement l'utilisation. Si le câble d'alimentation est endommagé, il doit être remplacé par le fabricant. Rendez-nous l'appareil.
- Ne débranchez jamais la fiche de la prise en tirant sur le cordon.
- N'enroulez pas le cordon d'alimentation autour du corps principal de l'appareil pendant ou après son utilisation.
- Il est prudent de laisser l'appareil branché sur le secteur lorsqu'il n'est pas utilisé pour garantir que les batteries sont toujours chargées. Cependant, il doit être débranché avant le montage, le démontage, le nettoyage ou s'il n'est pas utilisé pendant une période prolongée.
- Ce produit contient une batterie lithium-ion rechargeable qui ne doit pas être retirée de l'appareil pour le charger. L'utilisateur final ne peut pas remplacer les piles de cet appareil. Seul un ingénieur agréé doit effectuer cette tâche pour des raisons de sécurité.
- Pour usage domestique intérieur uniquement.
- La borne d'alimentation ne doit pas être court-circuitée.
- Ce produit est entièrement conforme à toutes les lois et normes appropriées de l'UE et du Royaume-Uni applicables à ce type et à cette classe d'appareils. Nous sommes une entreprise certifiée ISO9001: 2015 qui évalue continuellement les performances de notre système de gestion de la qualité. Si vous avez des questions concernant la sécurité et la conformité des produits, veuillez contacter notre service clientèle.
- Cet appareil est destiné à être utilisé dans des applications domestiques et similaires telles que: les zones de cuisine du personnel dans les magasins, les bureaux et autres en-

vironnements de travail, par les clients des hôtels, des motels et d'autres environnements de type résidentiel.

- Éteignez l'appareil et débranchez-le avant de changer les accessoires ou d'approcher les pièces qui se déplacent pendant l'utilisation.
- La batterie doit être retirée de l'appareil avant d'être mise au rebut. L'appareil doit être débranché du secteur lors du retrait de la batterie et la batterie doit être éliminée en toute sécurité.
- Pour recharger la batterie, utilisez uniquement l'unité d'alimentation de charge amovible fournie avec cet appareil.

ATTENTION: Les sacs en polyéthylène sur le produit ou l'emballage peuvent être dangereux. Pour éviter tout risque d'étouffement, éloignez-vous des bébés et des enfants. Ces sacs ne sont pas des jouets.

SÉCURITÉ PENDANT L'UTILISATION

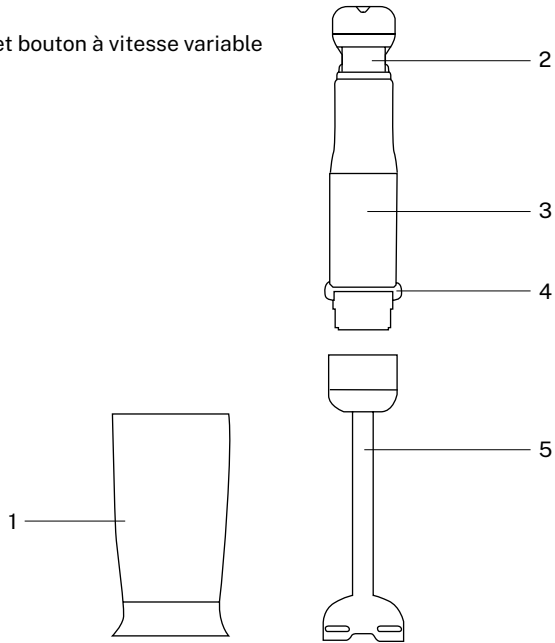
- Le chargeur doit être branché dans une prise éloignée d'un évier ou de toute surface chaude.
- Ne chargez pas l'appareil avec une prise externe.
- Pour vous protéger contre les chocs électriques, ne placez pas le socle de charge ou l'unité principale dans l'eau ou tout autre liquide. L'arbre d'entraînement de cet appareil, où les accessoires sont interchangeables, n'est pas conçu pour être immergé dans l'eau ou d'autres liquides. Si le batteur à main tombe dans le liquide, retirez-le immédiatement. Nettoyez et séchez complètement l'appareil avant de continuer.
- Manipulez l'arbre de mélange avec un soin extrême, les lames sont TRÈS pointues.
- Pour éviter les éclaboussures, insérez toujours l'accessoire dans le mix avant de l'activer et relâchez le bouton d'alimentation avant de le retirer du mix.
- Évitez tout contact avec les pièces mobiles. Gardez les mains, les cheveux, les vêtements, les spatules et autres ustensiles à l'écart des accessoires pendant le fonctionnement pour réduire les risques de blessures corporelles et / ou de dommages aux appareils électromagnétiques. Une spatule peut être utilisée, mais uniquement lorsque l'unité ne fonctionne pas.
- Lorsque vous mélangez des liquides froids, utilisez un grand récipient ou faites de petites quantités à la fois pour réduire les déversements.

ATTENTION: Lors du mélange de liquides chauds, utilisez un récipient beaucoup plus grand ou traitez de plus petites quantités. Soyez très prudent lorsque vous travaillez avec des liquides chauds pour éviter les blessures dues au débordement, à la vapeur flash et aux éclaboussures. Pour éviter l'échaudage à la vapeur, il peut être conseillé d'incliner légèrement le mélangeur afin que votre main ne soit pas directement sur la vapeur.

- Empêchez les démarrages involontaires: N'appuyez jamais sur le bouton de verrouillage de sécurité »tout en appuyant sur le bouton d'alimentation, sauf si vous êtes prêt à utiliser votre mélangeur.
- N'utilisez pas ce batteur à main pour autre chose que l'utilisation prévue pour préparer des aliments et des boissons.

LISTE DES PIÈCES

1. Récipient de mesure
2. Bouton de déverrouillage et bouton à vitesse variable
3. Moteur
4. Boutons de libération
5. Arbre de mélange



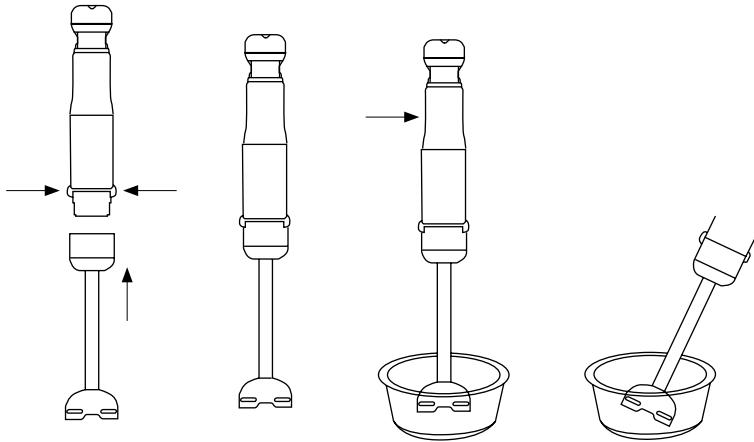
MODE D'EMPLOI

- Avant la première utilisation, nous vous recommandons d'essuyer l'unité principale avec un chiffon propre et humide pour éliminer la saleté ou la poussière. Bien sécher avec un chiffon doux et absorbant. Nettoyez soigneusement tous les accessoires (sauf la base de chargement et la boîte de vitesses du batteur) dans de l'eau chaude savonneuse.
- N'utilisez pas de nettoyeurs abrasifs, d'outils durs ou de tampons à récurer. Soyez prudent lorsque vous manipulez l'arbre de mélange car les lames sont très coupantes.

MONTER L'ARBRE DE MÉLANGE

Il est utilisé pour mélanger ou mouliner, comme la purée de fruits et légumes, le mélange de sauces, de vinaigrettes, de smoothies et le mélange de soupes pour une consistance lisse. Il est également idéal pour combiner des ingrédients secs et de la mousse de lait.

MONTAGE



- Le batteur à main est idéal pour préparer des sauces, des soupes, de la mayonnaise et des aliments pour bébés, ainsi que pour mélanger et préparer des smoothies.
- 1. Insérez l'arbre de mélange dans le bloc moteur jusqu'à ce qu'il se verrouille.
- 2. Insérez le batteur à main dans le récipient. Appuyez ensuite sur le bouton de vitesse variable.
- 3. Débranchez d'abord l'appareil, puis appuyez sur les boutons de déverrouillage pour retirer l'arbre de mélange après utilisation.
- Vous pouvez utiliser le batteur à main dans le récipient de mesure ou dans tout autre récipient.

CHARGEMENT DU MIXEUR PLONGEANT

- La batterie du batteur à main n'est pas complètement chargée en usine. Avant utilisation, la batterie doit être chargée jusqu'à ce que le voyant vert de la batterie s'allume. Avec une charge complète, votre batteur à main fonctionnera pendant environ 15 minutes, selon l'utilisation. Le batteur à main se chargera complètement en environ 3:30 heures.
- Pour charger l'unité principale, insérez la fiche de l'adaptateur dans une prise de courant et insérez le câble dans le port de charge.

Voyants de durée de vie de la batterie:

- Vert: entre 100% et 25% de la puissance de la batterie.
- Rouge: moins de 25% et devrait être facturé bientôt.

Remarque: Ne laissez pas votre batteur à main non chargé pendant une période prolongée, car cela affecterait la durée de vie de la batterie rechargeable.

- Si la batterie est complètement déchargée dans l'appareil, elle ne fonctionnera pas tant qu'elle est branchée et en charge.

FONCTIONNEMENT

- Pour utiliser le batteur à main, appuyez sur le bouton de déverrouillage et à vitesse variable pour déverrouiller l'appareil.
- Appuyez ensuite sur le bouton de vitesse variable pour démarrer l'appareil.
- L'appareil dispose d'une fonction de sécurité et se verrouillera automatiquement à nouveau 3 secondes après avoir relâché le bouton de vitesse variable. Suivez la même séquence que la précédente pour réactiver le mélangeur.

Paramètres de vitesse

- Pour régler le paramètre de vitesse, appuyez sur le bouton de vitesse variable avec une force différente. Utilisez les indicateurs de vitesse pour vérifier votre vitesse actuelle. La vitesse actuelle est indiquée par le nombre de lumières bleues allumées sur le dessus de l'appareil (1 est le réglage le plus bas et 5 est le plus élevé).
- **Remarque:** Le produit est livré avec une fonction de protection contre les surcharges. Si l'appareil s'arrête de façon inattendue, il se coupera et le témoin lumineux d'alimentation de la batterie s'allumera en rouge. Vous pouvez réactiver en appuyant sur le bouton de vitesse variable.
- **ATTENTION:** Gardez les mains, les cheveux, les vêtements, les spatules et autres ustensiles à l'écart de l'accessoire du mélangeur pendant l'utilisation afin de réduire les risques de blessures corporelles et / ou de dommages à l'appareil. Une spatule peut être utilisée, mais uniquement lorsque l'unité ne fonctionne pas.

TRUCS ET CONSEILS

- La lame se mélange et se retire tout en ajoutant seulement une petite quantité d'air au mélange.
- Pour éviter les éclaboussures, insérez le batteur à main dans le mix avant de l'activer et relâchez le bouton d'alimentation avant de retirer le batteur à main du mix.
- Faites un mouvement de haut en bas tout en veillant à ce que le protège-lame sur l'arbre de mélange reste complètement immergé dans le liquide pour éviter les éclaboussures (inclinez le récipient pour créer une zone plus profonde pour le mélange).
- Lors du mélange dans un récipient antiadhésif, veillez à ne pas rayer le revêtement avec le batteur à main.
- Lorsque vous mélangez dans une casserole sur le feu, retirez la casserole de la source de chaleur pour éviter que le mélangeur ne surchauffe. L'arbre de mélange est sûr à utiliser avec des aliments ou des liquides jusqu'à 100 °C.
- Lorsque vous mélangez des liquides (en particulier des liquides chauds), utilisez un récipient haut ou faites de petites quantités à la fois pour réduire le risque de déversement, d'éclaboussures et la possibilité de brûlures.
- Lors de la purée ou des soupes, utilisez une vitesse moyenne pour percer d'abord les gros ingrédients tendres, puis augmentez progressivement la vitesse à haute pour une finition lisse.
- **PRÉCAUTIONS:**
 - Veillez à ne jamais retirer l'arbre de mélange de liquide pendant son fonctionnement, car il pourrait éclabousser.
 - Ne laissez pas le batteur à main dans une casserole chaude sur le feu lorsqu'il n'est pas utilisé.
 - N'essayez pas de mélanger des noyaux de fruits, des noyaux ou d'autres matériaux durs, car ils peuvent endommager la lame.

- Ne remplissez pas trop vos conteneurs de mélange choisis. Le niveau de mixage augmentera lors du mixage et risque de déborder.
- Ne placez pas vos doigts près des lames. Déloger la nourriture; Débranchez d'abord le batteur à main de l'alimentation électrique.

NETTOYAGE ET ENTRETIEN

- Nettoyez toujours soigneusement l'appareil après utilisation.

Unité principale:

- Assurez-vous que tous les accessoires ont été retirés de l'appareil.
- Nettoyez l'unité principale et le socle de chargement uniquement avec une éponge ou un chiffon humide. N'utilisez pas de nettoyeurs abrasifs qui peuvent rayer la surface.

Arbre de mélange:

- Détachez l'accessoire de l'unité principale.
- Pour nettoyer la tige de mélange, lavez-la à la main avec de l'eau chaude savonneuse ou placez-la sur la grille supérieure du lave-vaisselle.
- **Attention:** Notez les bords tranchants fixes des lames, qui sont très tranchants et doivent être manipulés avec soin pour éviter les blessures.



Conformément aux directives: 2012/19 / UE et 2015/863 / UE sur la limitation de l'utilisation de substances dangereuses dans les équipements électriques et électroniques, ainsi que leur élimination des déchets. Le symbole avec la poubelle croisée indiqué sur l'emballage indique que le produit à la fin de sa durée de vie sera collecté en tant que déchet séparé. Par conséquent, tout produit ayant atteint la fin de sa durée de vie doit être livré dans des centres d'élimination des déchets spécialisés pour la collecte sélective des déchets d'équipements électriques et électroniques, ou retourné au détaillant lors de l'achat de nouveaux équipements similaires, en un seul pour une base. Une collecte séparée appropriée pour la mise en service ultérieure des équipements expédiés pour être recyclés, traités et éliminés d'une manière respectueuse de l'environnement aide à prévenir les effets négatifs potentiels sur l'environnement et la santé et optimise le recyclage et la réutilisation des les composants qui composent l'appareil. L'élimination abusive du produit par l'utilisateur implique l'application de sanctions administratives conformément aux lois.

Grazie per aver scelto il nostro frullatore. Prima di utilizzare questo apparecchio e per garantirne un utilizzo ottimale, leggere attentamente le istruzioni per l'uso.

Le misure di sicurezza qui indicate riducono il rischio d'incendio, scosse elettriche e lesioni se seguite correttamente. Conservare il manuale in un luogo sicuro per chiarimenti futuri, così come la garanzia, la ricevuta d'acquisto e la scatola. Se necessario, fornire queste istruzioni al futuro proprietario dell'apparecchio. Quando si utilizza un apparecchio elettrico, seguire sempre le istruzioni di sicurezza di base e le misure di prevenzione dei rischi. Il produttore non si assume alcuna responsabilità per eventuali danni derivanti dalla mancata osservanza delle presenti istruzioni da parte dell'utente.

AVVERTENZE SULLA SICUREZZA

Utilizzare il dispositivo solo come descritto nelle istruzioni. La società non è responsabile per eventuali danni che possono derivare da un uso improprio.

- Questo apparecchio non è progettato per funzionare con un timer esterno o un sistema di controllo remoto separato.
- Questo dispositivo non è destinato all'uso da parte di persone con ridotte capacità fisiche, sensoriali o mentali o mancanza di esperienza e conoscenza, a meno che non abbiano ricevuto supervisione o istruzioni sull'uso del dispositivo da una persona responsabile della loro sicurezza.
- I bambini devono essere sempre sorvegliati per assicurarsi che non giochino con questo prodotto.
- Questo apparecchio non deve essere utilizzato da bambini. Tenere l'apparecchio, l'alimentatore e la base di ricarica fuori dalla portata dei bambini durante e dopo l'uso.
- Ispezionare sempre l'apparecchio e gli accessori prima dell'uso per rilevare eventuali segni evidenti di danni. Non utilizzare se è danneggiato o se l'apparecchio è caduto. In caso di danni o se il dispositivo presenta un guasto, contattaci.
- Non utilizzare l'apparecchio se il cavo di alimentazione è danneggiato. In caso di danni al cavo di alimentazione, interrompere immediatamente l'uso. Se il cavo di alimentazione è danneggiato, deve essere sostituito dal produttore. Restituiscici il dispositivo.
- Non scollegare mai la spina dalla presa tirando il cavo.
- Non avvolgere il cavo di alimentazione attorno al corpo principale dell'apparecchio durante o dopo l'uso.
- È sicuro lasciare l'apparecchio collegato all'alimentazione quando non viene utilizzato per garantire che le batterie siano sempre cariche. Tuttavia, deve essere scollegato prima del montaggio, dello smontaggio, della pulizia o se non viene utilizzato per un lungo periodo di tempo.
- Questo prodotto contiene una batteria ricaricabile agli ioni di litio che non deve essere rimossa dal dispositivo per caricarla. L'utente finale non può sostituire le batterie di questo apparecchio. Solo un ingegnere autorizzato dovrebbe eseguire questa attività per motivi di sicurezza.
- Solo per uso domestico interno.
- Il terminale di alimentazione non deve essere cortocircuitato.
- Questo prodotto è pienamente conforme a tutte le normative e gli standard dell'UE e del Regno Unito pertinenti per questo tipo e questa classe di apparecchi. Siamo un'azienda certificata ISO9001: 2015 che valuta continuamente le prestazioni del nostro sistema di gestione della qualità. In caso di domande relative alla sicurezza e alla conformità dei prodotti, contattare il nostro Servizio clienti.

- Questo apparecchio è destinato ad essere utilizzato in applicazioni domestiche e simili come: aree cucina del personale in negozi, uffici e altri ambienti di lavoro, da clienti in hotel, motel e altri ambienti di tipo residenziale.
- Spegnerne l'apparecchio e scollegarlo dall'alimentazione prima di cambiare gli accessori o avvicinarsi alle parti che si spostano durante l'uso.
- La batteria deve essere rimossa dall'apparecchio prima che venga scartata. L'apparecchio deve essere scollegato dalla rete di alimentazione quando si rimuove la batteria e la batteria deve essere smaltita in modo sicuro.
- Per ricaricare la batteria, utilizzare solo l'alimentatore di ricarica rimovibile fornito con questo dispositivo.

AVVERTIMENTO: I sacchetti di polietilene sul prodotto o sulla confezione possono essere pericolosi. Per evitare il pericolo di soffocamento, stare lontano da neonati e bambini. Queste borse non sono giocattoli.

SICUREZZA DURANTE L'USO

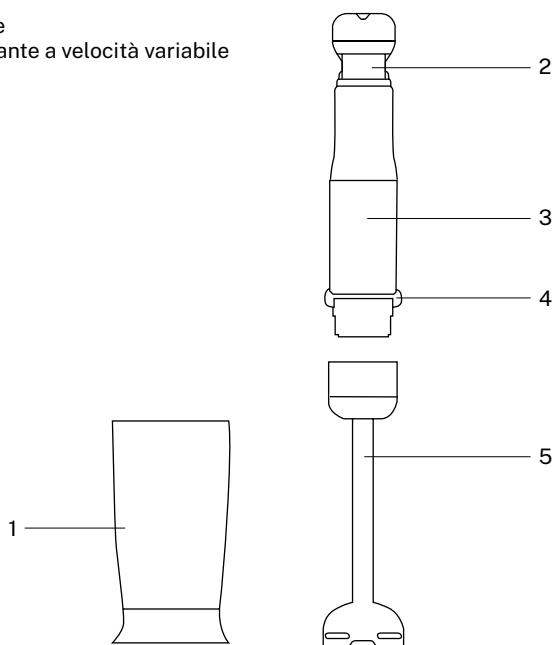
- Il caricabatterie deve essere inserito in una presa lontana da un lavandino o da qualsiasi superficie calda.
- Non caricare l'unità con una spina esterna.
- Per proteggersi da scosse elettriche, non posizionare il supporto di ricarica o l'unità principale in acqua o altri liquidi. L'albero motore di questo apparecchio, dove si scambiano gli accessori, non è progettato per essere immerso in acqua o altri liquidi. Se lo sbattitore a mano cade in un liquido, rimuoverlo immediatamente. Pulire e asciugare completamente l'unità prima di continuare.
- Maneggiare l'albero di miscelazione con estrema cura, le lame sono MOLTO affilate.
- Per evitare schizzi, inserire sempre l'accessorio nel mix prima di attivarlo e rilasciare il pulsante di accensione prima di rimuoverlo dal mix.
- Evitare il contatto con parti in movimento. Tenere mani, capelli, indumenti, spatole e altri utensili lontano dagli accessori durante il funzionamento per ridurre il rischio di lesioni alle persone e / o danni agli elettrodomestici. È possibile utilizzare una spatola, ma solo quando l'unità non funziona.
- Quando si mescolano liquidi freddi, utilizzare un contenitore alto o fare piccole quantità alla volta per ridurre la fuoriuscita.

AVVERTIMENTO: Quando si mescolano liquidi caldi, utilizzare un contenitore molto più grande o elaborare quantità minori. Prestare molta attenzione quando si lavora con liquidi caldi per evitare lesioni da trabocco, vapore rapido e spruzzi. Per evitare scottature a vapore, può essere consigliabile inclinare leggermente il miscelatore in modo che la mano non sia direttamente sul vapore.

- Prevenire l'avvio involontario: Non premere mai il pulsante "Blocco di sicurezza" mentre si tiene premuto il pulsante di accensione a meno che non si sia pronti per utilizzare il mixer.
- Non utilizzare questo miscelatore manuale per scopi diversi dall'uso previsto per la preparazione di cibi e bevande.

ELENCO DELLE PARTI

1. Contenitore di misurazione
2. Pulsante di sblocco e pulsante a velocità variabile
3. Motore
4. Pulsanti di rilascio
5. Albero di miscelazione



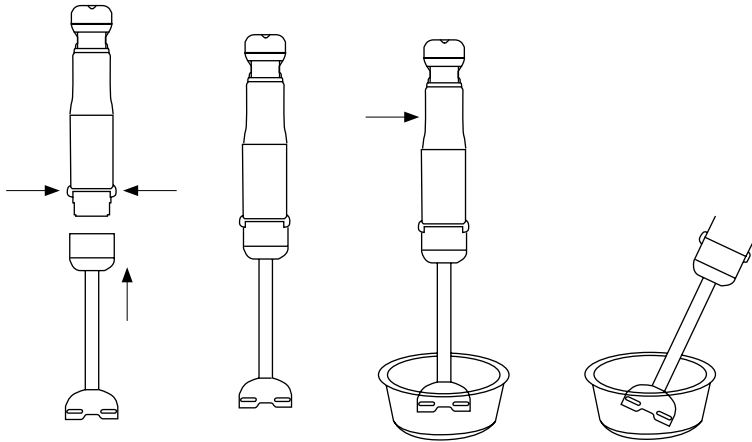
ISTRUZIONI PER L'USO

- Prima del primo utilizzo, si consiglia di pulire l'unità principale con un panno pulito e umido per rimuovere sporco o polvere. Asciugare bene con un panno morbido e assorbente. Pulire accuratamente tutti gli accessori (tranne la base di ricarica e la scatola del cambio) in acqua calda e sapone.
- Non utilizzare detergenti abrasivi, utensili duri o spugne abrasive. Fare attenzione quando si maneggia l'albero di miscelazione poiché le lame sono molto affilate.

MONTARE L'ALBERO DI MISCELAZIONE

È usato per mescolare o macinare, come schiacciare frutta e verdura, mescolare salse, condimenti, frullati e mescolare zuppe per una consistenza omogenea. È anche ideale per combinare ingredienti secchi e schiuma di latte.

MONTAGGIO



- Il miscelatore manuale è ideale per preparare salse, zuppe, maionese e pappe, nonché per mescolare e preparare frullati.
- 1. Inserire l'albero di miscelazione nell'unità motore fino a quando non si blocca.
- 2. Inserire il miscelatore manuale nel contenitore. Quindi premere il pulsante della velocità variabile.
- 3. Scollegare prima il dispositivo, quindi premere i pulsanti di rilascio per rimuovere l'albero di miscelazione dopo l'uso.
- È possibile utilizzare il miscelatore manuale nel contenitore di misurazione o in qualsiasi altro contenitore.

RICARICA DEL FRULLATORE A IMMERSIONE

- La batteria del miscelatore manuale non è completamente carica in fabbrica. Prima dell'uso, la batteria deve essere caricata fino all'accensione della spia verde della batteria. Con una carica completa, il tuo mixer manuale funzionerà per circa 15 minuti, a seconda dell'utilizzo. Il miscelatore manuale si ricarica completamente in circa 3:30 ore.
- Per caricare l'unità principale, inserire la spina dell'adattatore in una presa di corrente e inserire il cavo nella porta di ricarica.

Indicatori di durata della batteria:

- Verde: tra il 100% e il 25% della carica della batteria.
- Rosso: meno del 25% e dovrebbe essere addebitato al più presto.

Nota: Non lasciare il frullatore a immersione senza carica per un lungo periodo, poiché ciò influirà sulla durata della batteria ricaricabile.

- Se la batteria è completamente scarica nell'unità, non funzionerà mentre è collegata e in carica.

FUNZIONAMENTO

- Per utilizzare lo sbattitore manuale, premere il pulsante di rilascio e la velocità variabile per sbloccare l'apparecchiatura.
- Quindi premere il pulsante della velocità variabile per avviare l'apparecchiatura.
- L'apparecchio ha una funzione di sicurezza e si bloccherà di nuovo automaticamente 3 secondi dopo il rilascio del pulsante a velocità variabile. Seguire la stessa sequenza della precedente per riattivare il mixer.

Impostazioni di velocità

- Per regolare l'impostazione della velocità, premere il pulsante della velocità variabile con forza diversa. Usa gli indicatori di velocità per controllare la tua velocità attuale. La velocità attuale è indicata dal numero di luci blu illuminate sulla parte superiore del dispositivo (1 è l'impostazione più bassa e 5 è la più alta).
- **Nota:** Il prodotto è dotato di una funzione di protezione da sovraccarico. Se l'unità si arresta in modo imprevisto, si interromperà e l'indicatore luminoso di carica della batteria si illuminerà di rosso. Puoi riattivare premendo il pulsante della velocità variabile.
- **AVVERTIMENTO:** Tenere mani, capelli, indumenti, spatole e altri utensili lontano dall'attacco del miscelatore durante l'uso per ridurre il rischio di lesioni alle persone e / o danni all'apparecchio. È possibile utilizzare una spatola, ma solo quando l'unità non funziona.

TRUCCHI E SUGGERIMENTI

- La lama si mescola e rimuove mentre aggiunge solo una piccola quantità di aria alla miscela.
- Per evitare schizzi, inserire il mixer manuale nel mix prima di attivarlo e rilasciare il pulsante di accensione prima di rimuovere il mixer manuale dal mix.
- Usare un leggero movimento su e giù assicurandosi che la protezione della lama sull'albero di miscelazione rimanga completamente immersa nel liquido per evitare schizzi (inclinare il contenitore verso l'esterno per creare un'area più profonda per la miscelazione).
- Quando si mescola in un contenitore antiaderente, fare attenzione a non graffiare il rivestimento con il miscelatore manuale.
- Quando si mescola in una casseruola sul fuoco, rimuovere la casseruola dalla fonte di calore per evitare che il miscelatore si surriscaldi. L'albero di miscelazione è sicuro da utilizzare con alimenti o liquidi fino a 100 °C.
- Quando si mescolano liquidi (soprattutto liquidi caldi) utilizzare un contenitore alto o fare piccole quantità alla volta per ridurre il rischio di fuoriuscita, schizzi e la possibilità di ustioni.
- Quando schiacciate o zuppe, utilizzate prima una velocità media per sfogliare ingredienti grandi e teneri, quindi aumentate gradualmente la velocità fino a raggiungere una finitura liscia.
- **PRECAUZIONI:**
 - Fare attenzione a non rimuovere l'albero di miscelazione del liquido mentre è in funzione, poiché schizzerà.
 - Non lasciare il miscelatore manuale in una pentola calda sul fuoco mentre non è in uso.
 - Non tentare di mescolare noccioli di frutta, nocciole o altri materiali duri, poiché potrebbero danneggiare la lama.
 - Non riempire eccessivamente i contenitori di miscelazione scelti. Il livello di miscelazione aumenterà durante la miscelazione e potrebbe traboccare.
 - Non avvicinare le dita alle lame. Per rimuovere il cibo; Scollegare prima il miscelatore manuale dall'alimentazione elettrica.

- Nettoyez toujours soigneusement l'appareil après utilisation.

Unité principale:

- Assurez-vous que tous les accessoires ont été retirés de l'appareil.
- Nettoyez l'unité principale et le socle de chargement uniquement avec une éponge ou un chiffon humide. N'utilisez pas de nettoyeurs abrasifs qui peuvent rayer la surface.

Arbre de mélange:

- Détachez l'accessoire de l'unité principale.
- Pour nettoyer la tige de mélange, lavez-la à la main avec de l'eau chaude savonneuse ou placez-la sur la grille supérieure du lave-vaisselle.
- **Attention:** Notez les bords tranchants fixes des lames, qui sont très tranchants et doivent être manipulés avec soin pour éviter les blessures.



In conformità con le direttive: 2012/19 / UE e 2015/863 / UE sulla restrizione dell'uso di sostanze pericolose nelle apparecchiature elettriche ed elettroniche, nonché sul loro smaltimento dei rifiuti. Il simbolo con la pattumiera incrociata mostrato sulla confezione indica che il prodotto al termine della sua vita utile verrà raccolto come rifiuto separato. Pertanto, qualsiasi prodotto che ha raggiunto la fine della sua vita utile deve essere consegnato a centri specializzati di smaltimento dei rifiuti per la raccolta selettiva di rifiuti di apparecchiature elettriche ed elettroniche o restituito al rivenditore al momento dell'acquisto di nuove apparecchiature simili, in un'unica per una base. Una corretta raccolta separata per la successiva messa in servizio di apparecchiature spedite per essere riciclate, trattate e smaltite in modo ecologico aiuta a prevenire potenziali effetti negativi sull'ambiente e sulla salute e ottimizza il riciclaggio e il riutilizzo di i componenti che compongono il dispositivo. L'eliminazione abusiva del prodotto da parte dell'utente implica l'applicazione di sanzioni amministrative in conformità con le leggi.

Vielen Dank, dass Sie sich für unseren Stabmixer entschieden haben. Bevor Sie dieses Gerät benutzen und um seinen optimalen Gebrauch zu gewährleisten, lesen Sie bitte die Anleitung sorgfältig durch.

Die hier angegebenen Sicherheitsmaßnahmen reduzieren bei sachgemäßer Anwendung das Risiko von Bränden, Stromschlägen und Verletzungen. Bewahren Sie das Handbuch sowie die Garantie, den Kaufbeleg und die Verpackung zum späteren Nachschlagen an einem sicheren Ort auf. Geben Sie diese Anweisungen gegebenenfalls an den zukünftigen Besitzer des Geräts weiter. Befolgen Sie bei der Verwendung eines Elektrogeräts immer die grundlegenden Sicherheitshinweise und Maßnahmen zur Gefahrenabwehr. Der Hersteller haftet nicht für Schäden, die sich aus der Nichtbeachtung dieser Anleitung durch den Benutzer ergeben.

WICHTIGE SICHERHEITSANWEISUNGEN

Verwenden Sie das Gerät nur wie in der Anleitung beschrieben. Das Unternehmen haftet nicht für Schäden, die durch unsachgemäße Verwendung entstehen können.

- Dieses Gerät ist nicht für den Betrieb mit einem externen Timer oder einer separaten Fernbedienung ausgelegt.
- Dieses Gerät ist nicht für Personen mit eingeschränkten körperlichen, sensorischen oder geistigen Fähigkeiten oder mangelnder Erfahrung und Kenntnissen vorgesehen, es sei denn, sie haben von einer für ihre Sicherheit verantwortlichen Person Aufsicht oder Anweisungen zur Verwendung des Geräts erhalten.
- Kinder sollten immer beaufsichtigt werden, um sicherzustellen, dass sie nicht mit diesem Produkt spielen.
- Dieses Gerät darf nicht von Kindern benutzt werden. Bewahren Sie das Gerät, das Netzteil und die Ladestation während und nach dem Gebrauch außerhalb der Reichweite von Kindern auf.
- Überprüfen Sie das Gerät und das Gerätzubehör vor dem Gebrauch immer auf erkennbare Anzeichen von Schäden. Nicht verwenden, wenn es beschädigt ist oder wenn das Gerät fallen gelassen wurde. Im Falle einer Beschädigung oder wenn das Gerät einen Fehler aufweist, kontaktieren Sie uns.
- Verwenden Sie das Gerät nicht, wenn das Netzkabel beschädigt ist. Bei Beschädigung des Netzkabels die Verwendung sofort einstellen. Wenn das Netzkabel beschädigt ist, muss es vom Hersteller ausgetauscht werden. Geben Sie uns das Gerät zurück.
- Trennen Sie niemals den Stecker von der Steckdose, indem Sie am Kabel ziehen.
- Wickeln Sie das Netzkabel während oder nach dem Gebrauch nicht um den Hauptkörper des Geräts.
- Es ist sicher, das Gerät bei Nichtgebrauch an das Netzteil angeschlossen zu lassen, um sicherzustellen, dass die Batterien immer aufgeladen sind. Es muss jedoch vor der Montage, Demontage, Reinigung oder wenn es längere Zeit nicht verwendet wird, vom Stromnetz getrennt werden.
- Dieses Produkt enthält einen wiederaufladbaren Lithium-Ionen-Akku, der zum Aufladen nicht aus dem Gerät entfernt werden darf. Der Endbenutzer kann die Batterien in diesem Gerät nicht ersetzen. Aus Sicherheitsgründen sollte nur ein lizenziertes Ingenieur diese Aufgabe ausführen.
- Nur für den Hausgebrauch in Innenräumen.
- Der Versorgungsanschluss darf nicht kurzgeschlossen werden.

- Dieses Produkt entspricht vollständig allen für diesen Gerätetyp und diese Geräteklasse geltenden EU- und UK-Gesetzen und -Standards. Wir sind ein nach ISO9001: 2015 zertifiziertes Unternehmen, das die Leistung unseres Qualitätsmanagementsystems kontinuierlich bewertet. Wenn Sie Fragen zur Produktsicherheit und -konformität haben, wenden Sie sich bitte an unseren Kundendienst.
- Dieses Gerät ist für den Einsatz in Haushalten und ähnlichen Anwendungen vorgesehen, z. B.: Personal-Küchenbereiche in Geschäften, Büros und anderen Arbeitsumgebungen, von Kunden in Hotels, Motels und anderen Wohnumgebungen.
- Schalten Sie das Gerät aus und trennen Sie es von der Stromversorgung, bevor Sie Zubehör wechseln oder sich nähernden Teilen nähern, die sich im Gebrauch bewegen.
- Der Akku muss aus dem Gerät entfernt werden, bevor er verschrottet wird. Das Gerät muss beim Entfernen der Batterie vom Stromnetz getrennt und die Batterie sicher entsorgt werden.
- Verwenden Sie zum Aufladen des Akkus nur das abnehmbare Ladegerät, das mit diesem Gerät geliefert wird.

WARNUNG: Polyethylenbeutel auf dem Produkt oder der Verpackung können gefährlich sein. Um Erstickungsgefahr zu vermeiden, halten Sie sich von Babys und Kindern fern. Diese Taschen sind kein Spielzeug.

SICHERHEIT WÄHREND DES GEBRAUCHS

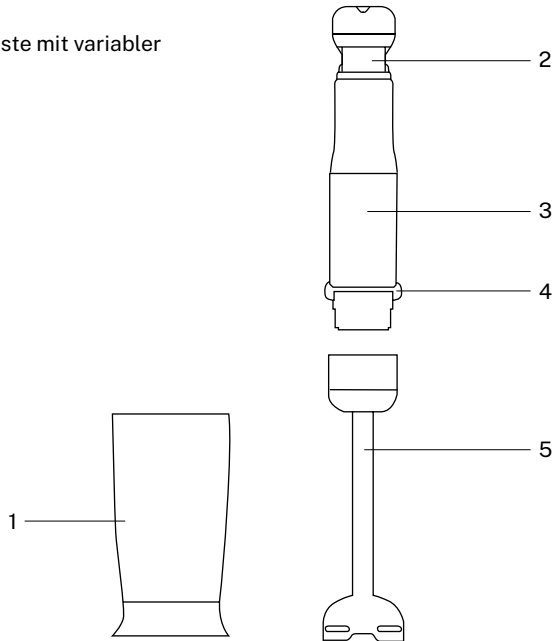
- Das Ladegerät sollte an eine Steckdose außerhalb eines Spülbeckens oder einer heißen Oberfläche angeschlossen werden.
- Laden Sie das Gerät nicht mit einem externen Stecker auf.
- Stellen Sie den Ladeständer oder das Hauptgerät zum Schutz vor elektrischem Schlag nicht in Wasser oder andere Flüssigkeiten. Die Antriebswelle dieses Geräts, bei der das Zubehör ausgetauscht wird, darf nicht in Wasser oder andere Flüssigkeiten eingetaucht werden. Wenn der Handmixer in Flüssigkeit fällt, entfernen Sie ihn sofort. Reinigen und trocknen Sie das Gerät vollständig, bevor Sie fortfahren.
- Behandeln Sie die Mischwelle mit äußerster Vorsicht, die Klingen sind SEHR scharf.
- Um Spritzwasser zu vermeiden, setzen Sie das Zubehör immer in die Mischung ein, bevor Sie es aktivieren, und lassen Sie den Netzschalter los, bevor Sie es aus der Mischung entfernen.
- Kontakt mit beweglichen Teilen vermeiden. Halten Sie Hände, Haare, Kleidung, Spatel und andere Utensilien während des Betriebs von Zubehör fern, um das Risiko von Verletzungen von Personen und / oder Schäden an Haushaltsgeräten zu verringern. Ein Spatel kann verwendet werden, jedoch nur, wenn das Gerät nicht funktioniert.
- Verwenden Sie zum Mischen kalter Flüssigkeiten einen hohen Behälter oder stellen Sie jeweils kleine Mengen her, um das Verschütten zu verringern.

WARNUNG: Verwenden Sie zum Mischen heißer Flüssigkeiten einen viel größeren Behälter oder verarbeiten Sie kleinere Mengen. Seien Sie beim Arbeiten mit heißen Flüssigkeiten sehr vorsichtig, um Verletzungen durch Überlauf, Blitzdampf und Spritzwasser zu vermeiden. Um eine Verbrühung des Dampfes zu vermeiden, kann es ratsam sein, den Mischer leicht zu kippen, damit Ihre Hand nicht direkt auf dem Dampf liegt.

- Verhindern Sie unbeabsichtigte Starts: Drücken Sie niemals die Sicherheitsverriegelungstaste, während Sie die Ein- / Aus-Taste drücken, es sei denn, Sie sind bereit, Ihren Mixer zu verwenden.
- Verwenden Sie diesen Handmixer nur für den vorgesehenen Zweck zur Zubereitung von Speisen und Getränken.

LISTE DER EINZELTEILE

1. Messbehälter
2. Entriegelungstaste und Taste mit variabler Geschwindigkeit
3. Motor
4. Lassen Sie die Tasten los
5. Mischwelle



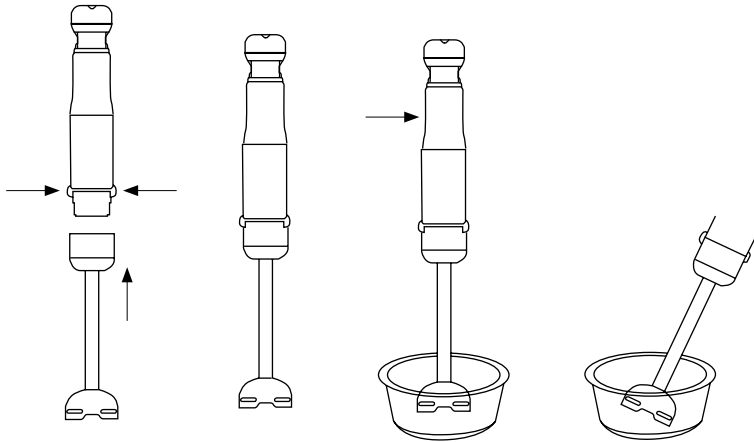
GEBRAUCHSANWEISUNG

- Wir empfehlen, das Hauptgerät vor dem ersten Gebrauch mit einem sauberen, feuchten Tuch abzuwischen, um Schmutz oder Staub zu entfernen. Mit einem weichen, saugfähigen Tuch gut trocknen. Reinigen Sie alle Zubehörteile (außer Ladestation und Schlägergetriebe) sorgfältig in warmem Seifenwasser.
- Verwenden Sie keine Scheuermittel, Hartgeräte oder Scheuerschwämme. Seien Sie vorsichtig beim Umgang mit der Mischwelle, da die Klingen sehr scharf sind.

MONTIEREN SIE DIE MISCHWELLE

Es wird zum Mischen oder Mahlen verwendet, z. B. zum Maischen von Obst und Gemüse, zum Mischen von Saucen, Dressings, Smoothies und zum Mischen von Suppen für eine glatte Konsistenz. Es ist auch ideal zum Kombinieren von trockenen Zutaten und Milchschaum.

MONTAGE



- Der Handmixer ist ideal zum Zubereiten von Saucen, Suppen, Mayonnaise und Babynahrung sowie zum Mischen und Zubereiten von Smoothies.
- 1. Setzen Sie die Mischwelle in die Motoreinheit ein, bis sie einrastet.
- 2. Setzen Sie den Handmixer in den Behälter ein. Drücken Sie dann die Taste mit variabler Geschwindigkeit.
- 3. Ziehen Sie zuerst den Stecker aus der Steckdose und drücken Sie dann die Entriegelungstasten, um die Mischwelle nach Gebrauch zu entfernen.
- Sie können den Handmixer im Messbehälter oder in jedem anderen Behälter verwenden.

LADEN DES STABMIXERS

- Der Akku im Handmixer ist werkseitig nicht vollständig aufgeladen. Vor dem Gebrauch sollte der Akku aufgeladen werden, bis die grüne Batterieanzeige aufleuchtet. Bei voller Aufladung läuft Ihr Handmixer je nach Verwendung ungefähr 15 Minuten lang. Der Handmixer wird in ca. 3:30 Stunden vollständig aufgeladen.
- Stecken Sie zum Laden des Hauptgeräts den Adapterstecker in eine Steckdose und das Kabel in den Ladeanschluss.

Batterielebensdaueranzeige:

- Grün: Zwischen 100% und 25% der Batterieleistung.
- Rot: weniger als 25% und sollte bald aufgeladen werden.

Hinweis: Lassen Sie Ihren Stabmixer nicht über einen längeren Zeitraum ungeladen, da dies die Lebensdauer des Akkus beeinträchtigt.

- Wenn der Akku im Gerät vollständig entladen ist, funktioniert er nicht, während er eingesteckt ist und aufgeladen wird.

FUNKTION

- Um den Handmixer zu verwenden, drücken Sie den Entriegelungsknopf und die variable Geschwindigkeit, um das Gerät zu entsperren.
- Drücken Sie dann die Taste mit variabler Geschwindigkeit, um das Gerät zu starten.
- Das Gerät verfügt über eine Sicherheitsfunktion und wird 3 Sekunden nach dem Loslassen der Taste mit variabler Geschwindigkeit automatisch wieder gesperrt. Befolgen Sie die gleiche Reihenfolge wie im vorherigen, um den Mischer wieder zu aktivieren.

Geschwindigkeitseinstellungen

- Um die Geschwindigkeitseinstellung anzupassen, drücken Sie die Taste mit variabler Geschwindigkeit mit unterschiedlicher Kraft. Verwenden Sie die Geschwindigkeitsanzeigen, um Ihre aktuelle Geschwindigkeit zu überprüfen. Die aktuelle Geschwindigkeit wird durch die Anzahl der beleuchteten blauen Lichter oben auf dem Gerät angezeigt (1 ist die niedrigste Einstellung und 5 ist die höchste).
- **Hinweis:** Das Produkt verfügt über eine Überlastschutzfunktion. Wenn das Gerät unerwartet stoppt, wird es ausgeschaltet und die Batterieleistungsanzeige leuchtet rot. Sie können reaktivieren, indem Sie die Taste mit variabler Geschwindigkeit drücken.
- **WARNUNG:** Halten Sie Hände, Haare, Kleidung, Spatel und andere Utensilien während des Gebrauchs vom Mischeraufsatz fern, um das Risiko von Verletzungen von Personen und / oder Schäden am Gerät zu verringern. Ein Spatel kann verwendet werden, jedoch nur, wenn das Gerät nicht funktioniert.

TRICKS UND TIPPS

Biegezubehör:

- Die Klinge mischt und entfernt sich, während der Mischung nur wenig Luft hinzugefügt wird.
- Um Spritzwasser zu vermeiden, setzen Sie den Handmixer vor dem Aktivieren in die Mischung ein und lassen Sie den Netzschalter los, bevor Sie den Handmixer aus der Mischung entfernen.
- Verwenden Sie eine sanfte Auf- und Abbewegung, während Sie sicherstellen, dass der Klingenschutz auf der Mischwelle vollständig in die Flüssigkeit eingetaucht bleibt, um Spritzwasser zu vermeiden (kippen Sie den Behälter heraus, um einen tieferen Bereich zum Mischen zu schaffen).
- Achten Sie beim Mischen in einem Antihaftbehälter darauf, die Beschichtung nicht mit dem Handmixer zu zerkratzen.
- Wenn Sie einen Topf über der Hitze mischen, entfernen Sie den Topf von der Wärmequelle, um eine Überhitzung des Mixers zu vermeiden. Der Mischschacht kann sicher mit Lebensmitteln oder Flüssigkeiten bis 100 ° C verwendet werden.
- Verwenden Sie zum Mischen von Flüssigkeiten (insbesondere heißen Flüssigkeiten) einen hohen Behälter oder stellen Sie jeweils kleine Mengen her, um das Risiko von Verschütten, Spritzen und Verbrennungen zu verringern.
- Verwenden Sie beim Maischen oder Suppen zuerst eine mittlere Geschwindigkeit, um große, zarte Zutaten zu durchbrechen, und erhöhen Sie dann die Geschwindigkeit allmählich auf hoch, um ein glattes Finish zu erzielen.
- **VORSICHTSMASSNAHMEN:**
 - Achten Sie darauf, die Flüssigkeitsmischwelle niemals während des Betriebs zu entfernen, da sie sonst spritzt.
 - Lassen Sie den Handmixer nicht in einem heißen Topf, wenn er nicht benutzt wird.

- Versuchen Sie nicht, Obstgruben, Gruben oder andere harte Materialien zu mischen, da diese die Klinge beschädigen können.
- Überfüllen Sie die von Ihnen gewählten Mischbehälter nicht. Der Mischungsgrad erhöht sich beim Mischen und kann überlaufen.
- Legen Sie Ihre Finger nicht in die Nähe der Klingen. Essen verdrängen; Trennen Sie zuerst den Handmixer von der Stromversorgung.

REINIGUNG UND INSTANDHALTUNG

- Reinigen Sie das Gerät nach Gebrauch immer gründlich.

Haupteinheit:

- Stellen Sie sicher, dass jegliches Zubehör vom Gerät entfernt wurde.
- Reinigen Sie das Hauptgerät und die Ladeschale nur mit einem feuchten Schwamm oder Tuch. Verwenden Sie keine Scheuermittel, die die Oberfläche zerkratzen können.

Mischwelle:

- Nehmen Sie das Zubehör vom Hauptgerät ab.
- Um den Mischschacht zu reinigen, waschen Sie ihn von Hand mit warmem Seifenwasser oder stellen Sie ihn auf den oberen Rost des Geschirrspülers.
- **Warnung:** Beachten Sie die festen scharfen Kanten der Klingen, die sehr scharf sind und vorsichtig behandelt werden müssen, um Verletzungen zu vermeiden.



In Übereinstimmung mit den Richtlinien: 2012/19 / EU und 2015/863 / EU über die Beschränkung der Verwendung gefährlicher Stoffe in elektrischen und elektronischen Geräten sowie deren Abfallentsorgung. Das Symbol mit der gekreuzten Mülltonne auf der Verpackung zeigt an, dass das Produkt am Ende seiner Nutzungsdauer als separater Abfall gesammelt wird. Daher muss jedes Produkt, das das Ende seiner Nutzungsdauer erreicht hat, an spezialisierte Abfallentsorgungszentren zur selektiven Sammlung von elektrischen und elektronischen Abfallgeräten geliefert oder beim Kauf ähnlicher neuer Geräte an den Einzelhändler zurückgegeben werden für eine Basis. Die ordnungsgemäße getrennte Sammlung für die spätere Inbetriebnahme von Geräten, die zum umweltfreundlichen Recycling, zur Behandlung und Entsorgung versandt werden, trägt dazu bei, mögliche negative Auswirkungen auf Umwelt und Gesundheit zu vermeiden und das Recycling und die Wiederverwendung zu optimieren die Komponenten, aus denen das Gerät besteht. Die missbräuchliche Beseitigung des Produkts durch den Benutzer impliziert die Anwendung von Verwaltungssanktionen in Übereinstimmung mit den Gesetzen.

Bedankt voor het kiezen van onze handmixer. Lees de instructies zorgvuldig door voordat u dit apparaat gebruikt en om het optimaal te gebruiken.

De hier vermelde veiligheidsmaatregelen verminderen het risico op brand, elektrische schokken en letsel als ze op de juiste manier worden opgevolgd. Bewaar de handleiding op een veilige plaats voor toekomstige referentie, evenals de garantie, aankoopbon en doos. Geef deze instructies, indien van toepassing, door aan de toekomstige eigenaar van het apparaat. Volg altijd de basisveiligheidsinstructies en maatregelen ter voorkoming van risico's bij het gebruik van een elektrisch apparaat. De fabrikant is niet verantwoordelijk voor enige schade als gevolg van het niet naleven van deze instructies door de gebruiker.

BELANGRIJKE VEILIGHEIDSWAARSCHUWINGEN

Gebruik het apparaat alleen zoals beschreven in de instructies. Het bedrijf is niet verantwoordelijk voor enige schade die kan voortvloeien uit oneigenlijk gebruik.

- Dit apparaat is niet ontworpen om te werken met een externe timer of een apart afstandsbedieningssysteem.
- Dit apparaat is niet bedoeld voor gebruik door personen met verminderde fysieke, zintuiglijke of mentale vermogens of gebrek aan ervaring en kennis, tenzij ze toezicht of instructies hebben gekregen over het gebruik van het apparaat van een persoon die verantwoordelijk is voor hun veiligheid.
- Kinderen moeten altijd onder toezicht staan om ervoor te zorgen dat ze niet met dit product spelen.
- Dit apparaat mag niet door kinderen worden gebruikt. Houd het apparaat, de stroomadapter en het oplaadstation tijdens en na gebruik buiten het bereik van kinderen.
- Inspecteer het apparaat en de apparaataccessoires altijd vóór gebruik op zichtbare tekenen van schade. Niet gebruiken als het beschadigd is of als het apparaat is gevallen. Neem in geval van schade, of als het apparaat een storing heeft, contact met ons op.
- Gebruik het apparaat niet als het netsnoer beschadigd is. Stop het gebruik onmiddellijk in geval van schade aan het netsnoer. Als de stroomkabel beschadigd is, moet deze door de fabrikant worden vervangen. Geef ons het apparaat terug.
- Trek nooit de stekker uit het stopcontact door aan het snoer te trekken.
- Wikkel het netsnoer tijdens of na gebruik niet om het hoofdgedeelte van het apparaat.
- Het is veilig om het apparaat aangesloten te laten op de stroomtoevoer wanneer het niet in gebruik is om ervoor te zorgen dat de batterijen altijd opgeladen zijn. Het moet echter worden losgekoppeld voordat het wordt gemonteerd, gedemonteerd, gereinigd of wanneer het gedurende langere tijd niet wordt gebruikt.
- Dit product bevat een oplaadbare lithium-ionbatterij die niet uit het apparaat mag worden verwijderd om deze op te laden. De eindgebruiker kan de batterijen in dit apparaat niet vervangen. Om veiligheidsredenen mag alleen een bevoegde technicus deze taak uitvoeren.
- Alleen voor huishoudelijk gebruik binnenshuis.
- De voedingsklem mag niet worden kortgesloten.
- Dit product voldoet volledig aan alle toepasselijke EU- en VK-wetgeving en -normen die relevant zijn voor dit type en type apparaat. Wij zijn een ISO9001: 2015 gecertificeerd bedrijf dat voortdurend de prestaties van ons kwaliteitsmanagementsysteem evalueert. Neem bij vragen over productveiligheid en naleving contact op met onze klantenservice.

- Dit apparaat is bedoeld voor gebruik in huishoudelijke en soortgelijke toepassingen zoals: personeelskeuken in winkels, kantoren en andere werkomgevingen, door klanten in hotels, motels en andere woonomgevingen.
- Schakel het apparaat uit en haal de stekker uit het stopcontact voordat u accessoires verwisselt of onderdelen nadert die in gebruik zijn.
- De batterij moet uit het apparaat worden verwijderd voordat deze wordt gesloopt. Het apparaat moet worden losgekoppeld van het elektriciteitsnet wanneer u de batterij verwijderd en de batterij moet veilig worden afgevoerd.
- Gebruik alleen de afneembare oplader die bij dit apparaat wordt geleverd om de batterij op te laden.

WAARSCHUWING: Polyetheleenzakken op het product of de verpakking kunnen gevaarlijk zijn. Blijf uit de buurt van baby's en kinderen om verstikkingsgevaar te voorkomen. Deze tassen zijn geen speelgoed.

VEILIGHEID TIJDENS GEBRUIK

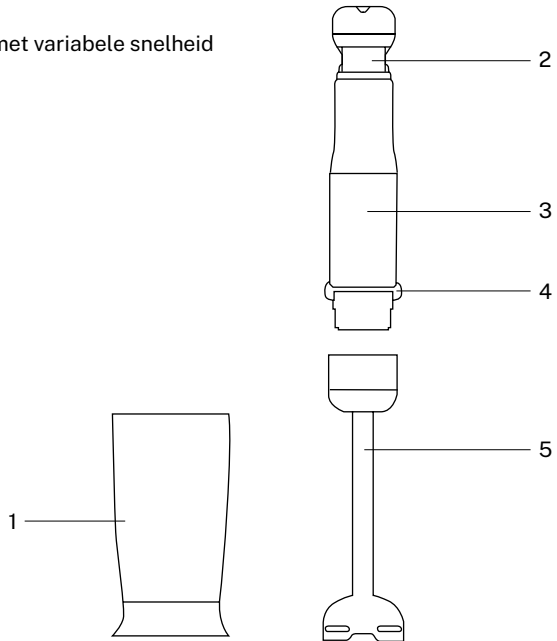
- De oplader moet worden aangesloten op een stopcontact uit de buurt van een gootsteen of een heet oppervlak.
- Laad het apparaat niet op met een externe stekker.
- Plaats de oplaadstandaard of het hoofdapparaat niet in water of andere vloeistoffen om elektrische schokken te voorkomen. De aandrijfas van dit apparaat, waar accessoires zijn verwisseld, is niet ontworpen om te worden ondergedompeld in water of andere vloeistoffen. Als de handmixer in vloeistof valt, verwijder deze dan onmiddellijk. Maak het apparaat volledig schoon en droog voordat u verder gaat.
- Ga uiterst voorzichtig om met de mengas, de messen zijn ZEER scherp.
- Om spatten te voorkomen, steekt u het accessoire altijd in de mix voordat u het activeert en laat u de aan / uit-knop los voordat u het uit de mix verwijderd.
- Vermijd contact met bewegende delen. Houd handen, haar, kleding, spatels en ander keukengerei tijdens het gebruik uit de buurt van accessoires om het risico op persoonlijk letsel en / of schade aan huishoudelijke apparaten te verminderen. Een spatel kan worden gebruikt, maar alleen als het apparaat niet werkt.
- Gebruik bij het mengen van koude vloeistoffen een hoge kom of maak kleine hoeveelheden tegelijk om morsen te verminderen.

WAARSCHUWING: Gebruik bij het mengen van hete vloeistoffen een veel grotere container of verwerk kleinere hoeveelheden. Wees zeer voorzichtig bij het werken met hete vloeistoffen om letsel door overstroming, flitsstoom en spatten te voorkomen. Om verbranding door stoom te voorkomen, is het raadzaam de mixer een beetje te kantelen, zodat uw hand niet direct op de stoom ligt.

- Voorkom onbedoeld starten: Druk nooit op de knop "Veiligheidsslot" terwijl u op de aan / uit-knop drukt, tenzij u klaar bent om uw mixer te gebruiken.
- Gebruik deze handmixer niet voor iets anders dan het beoogde gebruik voor het bereiden van eten en drinken.

ONDERDELEN LIJST

1. Maatbeker
2. Ontgrendelknop en knop met variabele snelheid
3. Motor
4. Laat knoppen los
5. Mengschacht



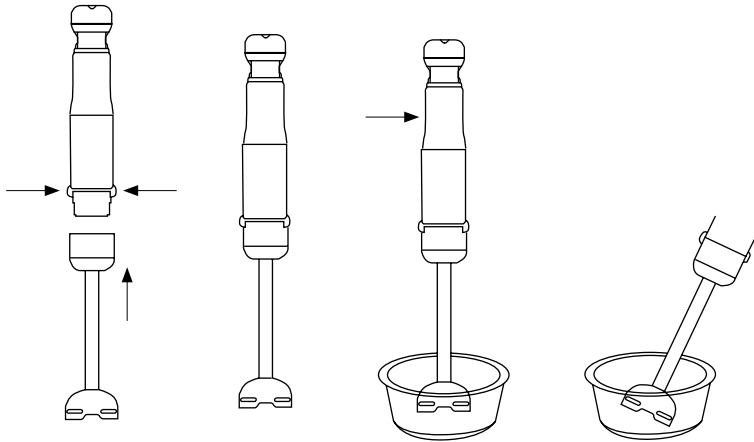
GEBRUIKSAANWIJZING

- Voor het eerste gebruik raden we u aan de hoofdeenheid af te vegen met een schone, vochtige doek om vuil of stof te verwijderen. Goed afdrogen met een zachte, absorberende doek. Reinig alle accessoires (behalve de oplaadbasis en de versnellingsbak van de klopper) zorgvuldig in een warm sopje.
- Gebruik geen schuurmiddelen, harde werktuigen of schuursponsjes. Wees voorzichtig bij het hanteren van de mengas, want de messen zijn erg scherp.

HOE DE MENGAS TE MONTEREN

Het wordt gebruikt voor het mengen of malen, zoals het pureren van fruit en groenten, het mengen van sauzen, dressings, smoothies en het mengen van soepen voor een soepele consistentie. Het is ook ideaal om droge ingrediënten en melkschuim te combineren.

MONTAGE



- De handmixer is ideaal voor het bereiden van sauzen, soepen, mayonaise en babyvoeding, maar ook voor het mixen en bereiden van smoothies.
1. Steek de mengas in de motoreenheid totdat deze vastklikt.
 2. Steek de handmixer in de container. Druk vervolgens op de knop voor variabele snelheid.
 3. Koppel eerst het apparaat los en druk vervolgens op de ontgrendelingsknoppen om de mengas na gebruik te verwijderen.
- Je kunt de handmixer gebruiken in de maatbeker of in een andere bak.

DE STAAFMIXER OPLADEN

- De batterij in de handmixer is in de fabriek niet volledig opgeladen. Vóór gebruik moet de batterij worden opgeladen totdat het groene batterij-indicatielampje gaat branden. Met een volledige lading zal uw handmixer, afhankelijk van het gebruik, ongeveer 15 minuten werken. De handmixer laadt in ongeveer 3:30 uur volledig op.
- Om de hoofdeenheid op te laden, steekt u de adapterstekker in een stopcontact en steekt u de kabel in de oplaadpoort.

Indicatielampjes levensduur batterij:

- Groen: tussen 100% en 25% van het batterijvermogen.
- Rood: minder dan 25% en moet binnenkort worden opgeladen.

Notitie: Laat uw handmixer niet gedurende lange tijd ongeladen, omdat dit de levensduur van de oplaadbare batterij beïnvloedt.

- Als de batterij volledig leeg is in het apparaat, werkt deze niet terwijl deze is aangesloten en wordt opgeladen.

FUNCTIONEREN

- Om de handmixer te gebruiken, drukt u op de ontgrendelingsknop en de variabele snelheid om het apparaat te ontgrendelen.
- Druk vervolgens op de variabele snelheidsknop om het apparaat te starten.
- Het apparaat heeft een veiligheidsfunctie en wordt automatisch opnieuw vergrendeld 3 seconden nadat de knop voor variabele snelheid is losgelaten. Volg dezelfde volgorde als de vorige om de mixer opnieuw te activeren.

Snelheidsinstellingen

- Om de snelheidsinstelling aan te passen, drukt u met verschillende kracht op de knop voor variabele snelheid. Gebruik de snelheidsindicatoren om uw huidige snelheid te controleren. De huidige snelheid wordt aangegeven door het aantal verlichte blauwe lampjes bovenop het apparaat (1 is de laagste instelling en 5 is de hoogste).
- **Notitie:** Het product wordt geleverd met een overbelastingsbeveiligingsfunctie. Als het apparaat onverwachts stopt, wordt het uitgeschakeld en gaat het batterijlampje rood branden. U kunt opnieuw activeren door op de knop met variabele snelheid te drukken.
- **WAARSCHUWING:** Houd handen, haar, kleding, spatels en ander keukengerei tijdens het gebruik uit de buurt van het mixeropzetstuk om het risico op persoonlijk letsel en / of schade aan het apparaat te verminderen. Een spatel kan worden gebruikt, maar alleen als het apparaat niet werkt.

TRUCS EN TIPS

- Het mes mengt en verwijdert terwijl slechts een kleine hoeveelheid lucht aan het mengsel wordt toegevoegd.
- Om spatten te voorkomen, plaatst u de handmixer in de mix voordat u deze activeert en laat u de aan / uit-knop los voordat u de handmixer uit de mix verwijdert.
- Gebruik een zachte op-en neergaande beweging en zorg ervoor dat de mesbeschermer op de mengas volledig ondergedompeld blijft in de vloeistof om spatten te voorkomen (kantel de container naar buiten om een dieper gebied voor mengen te creëren).
- Pas op dat u bij het mengen in een bak met anti-aanbaklaag de coating niet bekrast met de handmixer.
- Als u in een pan op het vuur mengt, verwijder dan de pan van de warmtebron om oververhitting van de mixer te voorkomen. De mengschacht is veilig te gebruiken met voedsel of vloeistoffen tot 100 ° C.
- Gebruik bij het mengen van vloeistoffen (vooral hete vloeistoffen) een hoge container of maak kleine hoeveelheden tegelijk om het risico op morsen, spatten en de kans op brandwonden te verminderen.
- Gebruik bij het pureren of in soepen eerst een gemiddelde snelheid om door grote, zachte ingrediënten te breken en verhoog vervolgens geleidelijk de snelheid naar een hoog niveau voor een soepele afdrank.
- **VOORZORGSMAATREGELEN:**
 - Pas op dat u de vloeistofmengas nooit verwijdert terwijl deze draait, omdat deze kan spetteren.
 - Laat de handmixer niet in een hete pan staan als hij niet wordt gebruikt.
 - Probeer geen fruitkuilen, kuilen of andere harde materialen te mengen, omdat deze het mes kunnen beschadigen.

- Doe de door u gekozen mengbekers niet te vol. Het mixniveau zal toenemen tijdens het mixen en kan overlopen.
- Plaats uw vingers niet in de buurt van de messen. Om voedsel los te maken; Koppel eerst de handmixer los van het stroomnet.

REINIGING EN ONDERHOUD

- Maak het apparaat na gebruik altijd grondig schoon.

Hoofdeenheid:

- Zorg ervoor dat alle accessoires van het apparaat zijn verwijderd.
- Reinig de hoofdeenheid en de oplader alleen met een vochtige spons of doek. Gebruik geen schuurmiddelen die het oppervlak kunnen krassen.

Mengschacht:

- Maak het accessoire los van het hoofdtoestel.
- Om de mengas schoon te maken, was je hem met de hand met warm zeepsop of plaats je hem op het bovenste rek van de vaatwasser.
- **Waarschuwing:** Let op de vaste scherpe randen van de messen, die erg scherp zijn en voorzichtig moeten worden behandeld om letsel te voorkomen.



In overeenstemming met de richtlijnen: 2012/19 / EU en 2015/863 / EU betreffende de beperking van het gebruik van gevaarlijke stoffen in elektrische en elektronische apparatuur, evenals hun afvalverwerking. Het symbool met de gekruiste vuilnisbak op de verpakking geeft aan dat het product aan het einde van zijn levensduur heeft bereikt, worden afgeleverd bij gespecialiseerde afvalverwijderingscentra voor de selectieve inzameling van afgedankte elektrische en elektronische apparatuur, of bij de aankoop van soortgelijke nieuwe apparatuur in één keer aan de detailhandelaar worden geretourneerd. voor één basis. Een juiste gescheiden inzameling voor latere inbedrijfstelling van apparatuur die wordt verzonden om te worden gerecycled, behandeld en op milieuvriendelijke wijze afgevoerd, helpt mogelijke negatieve effecten op het milieu en de gezondheid te voorkomen en optimaliseert recycling en hergebruik van de componenten waaruit het apparaat bestaat. De onrechtmatige eliminatie van het product door de gebruiker impliceert de toepassing van administratieve sancties in overeenstemming met de wetten.

Dziękujemy za wybranie naszego miksera. Przed użyciem tego urządzenia i aby zapewnić jego jak najlepsze wykorzystanie, należy uważnie przeczytać instrukcję.

Wymienione tutaj środki bezpieczeństwa zmniejszają ryzyko pożaru, porażenia prądem i obrażeń, jeśli są odpowiednio przestrzegane. Przechowuj instrukcję w bezpiecznym miejscu do wykorzystania w przyszłości, a także gwarancji, dowodu zakupu i pudełka. W razie potrzeby przekaż te instrukcje przyszłemu właścicielowi urządzenia. Podczas korzystania z urządzenia elektrycznego należy zawsze przestrzegać podstawowych instrukcji bezpieczeństwa i środków zapobiegania ryzyku. Producent nie ponosi odpowiedzialności za jakiegokolwiek szkody wynikające z nieprzestrzegania przez użytkownika instrukcji.

WAŻNE OSTRZEŻENIA DOTYCZĄCE BEZPIECZEŃSTWA

Podczas korzystania z dowolnego urządzenia elektrycznego należy zawsze przestrzegać następujących podstawowych zasad bezpieczeństwa.

- Odłącz mikser, gdy go nie używasz. Upewnij się, że urządzenie jest odłączone od zasilania przed montażem, demontażem, dodaniem dodatkowych akcesoriów lub czyszczeniem.
- Dzieci powinny być nadzorowane, aby nie bawiły się urządzeniem.
- To urządzenie może być używane przez dzieci i osoby o ograniczonych zdolnościach fizycznych, sensorycznych lub umysłowych lub bez doświadczenia i wiedzy, jeśli są one nadzorowane lub poinstruowane w zakresie bezpiecznego korzystania z urządzenia i rozumieją związane z tym niebezpieczeństwa.
- Nieprawidłowe użytkowanie miksera może powodować problemy z urządzeniem i obrażenia użytkownika.
- Upewnij się, że napięcie i częstotliwość obwodu odpowiadają tym wskazanym na tabliczce znamionowej urządzenia.
- Nie podłączaj urządzenia do sieci elektrycznej, dopóki nie zostanie całkowicie zmontowane i zawsze odłączaj je od zasilania przed demontażem urządzenia lub obsługą ostrza.
- Nie podnosić ani nie obsługiwać urządzenia, jeśli przewód zasilający lub wtyczka są uszkodzone lub jeśli mikser działa nieprawidłowo, został upuszczony lub w jakikolwiek sposób uszkodzony. W przypadku uszkodzenia skontaktuj się z serwisem technicznym. Uszkodzony przewód lub wtyczkę musi wymienić wyłącznie producent lub wykwalifikowana osoba, aby uniknąć obrażeń.
- Nie pozwól, aby przewód zwisał nad krawędzią stołu lub blatu. Nie dopuść do kontaktu z gorącymi powierzchniami, unikaj bliskości otwartego ognia i wszelkiego rodzaju ciepła i źródeł zapłonu.
- Ostrza są bardzo ostre! Obchodź się z nimi ostrożnie.
- Trzymaj ręce i przybory z dala od miski podczas mieszania, aby zmniejszyć ryzyko poważnych obrażeń ludzi lub uszkodzenia miksera. Można użyć szpatułki, ale należy jej używać wyłącznie, gdy mikser nie pracuje.
- Nigdy nie zanurzaj przewodu miksera, wtyczki ani podstawy zasilania w wodzie lub innych cieczach. W przypadku wpadnięcia urządzenia do wody należy natychmiast odłączyć je od zasilania elektrycznego i poprosić eksperta o sprawdzenie przed ponownym użyciem. Może to spowodować pożar, porażenie prądem, obrażenia lub śmierć.
- Nie dotykaj ruchomych części miksera.
- Nie mieszaj gorących płynów.
- Ani miarka, ani pojemnik rozdrabniacza nie są bezpieczne dla mikrofal.

- Podczas mieszania miękkich potraw używaj miksera w jednonminutowych odstępach. W przypadku twardych produktów żywnościowych należy je wykonywać co 15 sekund. Po 3 odstępach poczekaj, aż mikser ostygnie, aby uniknąć poparzenia silnika.
- Aby zmniejszyć ryzyko obrażeń, nigdy nie kładź ostrza tnącego na podstawie bez uprzedniego ustawienia pojemnika na miejscu.
- Przed użyciem urządzenia upewnij się, że pokrywa jest dobrze zamknięta i na swoim miejscu.
- Do czyszczenia korpusu silnika używaj wilgotnej szmatki.

VEILIGHEID TIJDENS GEBRUIK

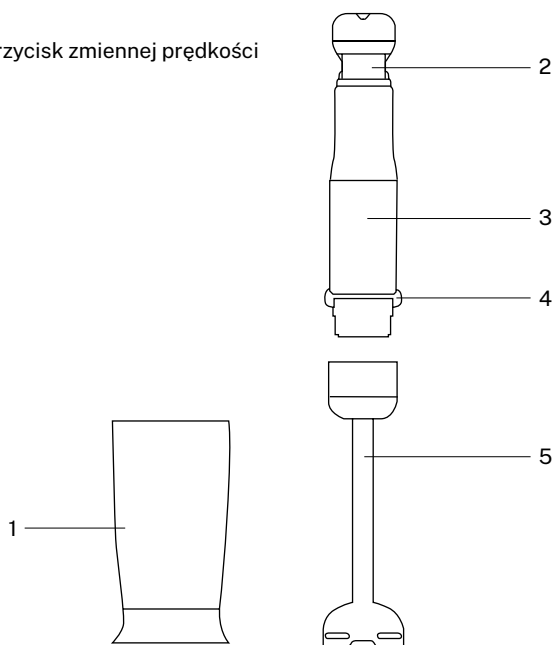
- De oplader moet worden aangesloten op een stopcontact uit de buurt van een gootsteen of een heet oppervlak.
- Laad het apparaat niet op met een externe stekker.
- Plaats de oplaadstandaard of het hoofdapparaat niet in water of andere vloeistoffen om elektrische schokken te voorkomen. De aandrijfas van dit apparaat, waar accessoires zijn verwisseld, is niet ontworpen om te worden ondergedompeld in water of andere vloeistoffen. Als de handmixer in vloeistof valt, verwijder deze dan onmiddellijk. Maak het apparaat volledig schoon en droog voordat u verder gaat.
- Ga uiterst voorzichtig om met de mengas, de messen zijn ZEER scherp.
- Om spatten te voorkomen, steekt u het accessoire altijd in de mix voordat u het activeert en laat u de aan / uit-knop los voordat u het uit de mix verwijdert.
- Vermijd contact met bewegende delen. Houd handen, haar, kleding, spatels en ander keukengerei tijdens het gebruik uit de buurt van accessoires om het risico op persoonlijk letsel en / of schade aan huishoudelijke apparaten te verminderen. Een spatel kan worden gebruikt, maar alleen als het apparaat niet werkt.
- Gebruik bij het mengen van koude vloeistoffen een hoge kom of maak kleine hoeveelheden tegelijk om morsen te verminderen.

WAARSCHUWING: Gebruik bij het mengen van hete vloeistoffen een veel grotere container of verwerk kleinere hoeveelheden. Wees zeer voorzichtig bij het werken met hete vloeistoffen om letsel door overstroming, fliitsstoom en spatten te voorkomen. Om verbranding door stoom te voorkomen, is het raadzaam de mixer een beetje te kantelen, zodat uw hand niet direct op de stoom ligt.

- Voorkom onbedoeld starten: Druk nooit op de knop "Veiligheidsslot" terwijl u op de aan / uit-knop drukt, tenzij u klaar bent om uw mixer te gebruiken.
- Gebruik deze handmixer niet voor iets anders dan het beoogde gebruik voor het bereiden van eten en drinken.

LISTA CZĘŚCI

1. Pojemnik pomiarowy
2. Przycisk odblokowania i przycisk zmiennej prędkości
3. Silnik
4. Zwolnij przyciski
5. Wałek mieszający



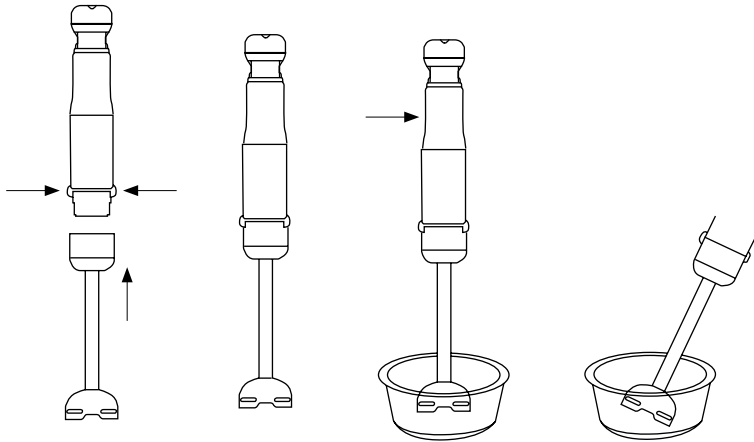
INSTRUKCJA UŻYCIA

- Przed pierwszym użyciem zalecamy przetarcie jednostki głównej czystą, wilgotną ściereczką, aby usunąć brud lub kurz. Dobrze osusz miękką, chłonną ściereczką. Ostrożnie wyczyść wszystkie akcesoria (oprócz podstawy ładującej i przekładni ubijaka) w ciepłej wodzie z mydłem.
- Nie należy używać ściernych środków czyszczących, twardych narzędzi ani zmywaków. Zachowaj ostrożność podczas przenoszenia wałka mieszającego, ponieważ noże są bardzo ostre.

JAK ZAMONTOWAĆ WAŁEK MIESZAJĄCY

Służy do mieszania lub mielenia, np. Zacieru owoców i warzyw, miksowania sosów, dressingów, koktajli mlecznych i miksowania zup w celu uzyskania gładkiej konsystencji. Jest także idealny do łączenia suchych składników i pianki mlecznej.

MONTAGE



- De handmixer is ideaal voor het bereiden van sauzen, soepen, mayonaise en babyvoeding, maar ook voor het mixen en bereiden van smoothies.

1. Steek de mengas in de motoreenheid totdat deze vastklikt.
 2. Steek de handmixer in de container. Druk vervolgens op de knop voor variabele snelheid.
 3. Koppel eerst het apparaat los en druk vervolgens op de ontgrendelingsknoppen om de mengas na gebruik te verwijderen.
- Je kunt de handmixer gebruiken in de maatbeker of in een andere bak.

DE STAAFMIXER OPLADEN

- De batterij in de handmixer is in de fabriek niet volledig opgeladen. Vóór gebruik moet de batterij worden opgeladen totdat het groene batterij-indicatielampje gaat branden. Met een volledige lading zal uw handmixer, afhankelijk van het gebruik, ongeveer 15 minuten werken. De handmixer laadt in ongeveer 3:30 uur volledig op.
- Om de hoofdeenheid op te laden, steekt u de adapterstekker in een stopcontact en steekt u de kabel in de oplaadpoort.

Indicatielampjes levensduur batterij:

- Groen: tussen 100% en 25% van het batterijvermogen.
- Rood: minder dan 25% en moet binnenkort worden opgeladen.

Notitie: Laat uw handmixer niet gedurende lange tijd ongeladen, omdat dit de levensduur van de oplaadbare batterij beïnvloedt.

- Als de batterij volledig leeg is in het apparaat, werkt deze niet terwijl deze is aangesloten en wordt opgeladen.

FUNKCJONOWANIE

- Aby użyć miksera ręcznego, naciśnij przycisk zwalniający i zmienną prędkość, aby odblokować urządzenie.
- Następnie naciśnij przycisk zmiennej prędkości, aby uruchomić urządzenie.
- Urządzenie ma funkcję bezpieczeństwa i automatycznie blokuje się ponownie 3 sekundy po zwolnieniu przycisku zmiennej prędkości. Wykonaj tę samą sekwencję jak poprzednia, aby ponownie włączyć mikser.

Ustawienia prędkości

- Aby dostosować ustawienie prędkości, naciśnij przycisk zmiennej prędkości z różną siłą. Użyj wskaźników prędkości, aby sprawdzić swoją aktualną prędkość. Bieżąca prędkość jest wskazywana przez liczbę podświetlonych niebieskich świateł na górze urządzenia (1 to najniższe ustawienie, a 5 to najwyższe).
- **Uwaga:** Produkt jest wyposażony w funkcję ochrony przed przeciążeniem. Jeśli urządzenie nieoczekiwanie zatrzyma się, wyłączy się, a kontrolka zasilania z akumulatora zaświeci się na czerwono. Możesz aktywować ponownie, naciskając przycisk zmiennej prędkości.
- **OSTRZEŻENIE:** Podczas użytkowania trzymaj ręce, włosy, odzież, szpatułki i inne przybory z dala od nasadki miksera, aby zmniejszyć ryzyko obrażeń osób i / lub uszkodzenia urządzenia. Łopatkę można używać, ale tylko wtedy, gdy urządzenie nie działa.

WSKAZÓWKI I PORADY

- Ostrze miesza się i usuwa, jednocześnie dodając do mieszanki tylko niewielką ilość powietrza.
- Aby uniknąć rozpryskiwania, włóż mikser ręczny do miksu przed aktywacją i zwolnij przycisk zasilania przed wyjęciem miksera ręcznego z miksu.
- Wykonuj delikatne ruchy w górę i w dół, jednocześnie upewniając się, że osłona ostrza na wale mieszającym pozostaje całkowicie zanurzona w cieczy, aby zapobiec rozpryskiwaniu (przechył pojemnik, aby utworzyć głębszy obszar do mieszania).
- Podczas mieszania w nieprzywierającym pojemniku należy uważać, aby nie zarysować powłoki mikserem ręcznym.
- Podczas mieszania w rondlu nad ciepłym wyjmij rondel ze źródła ciepła, aby zapobiec przegrzaniu miksera. Wałek mieszający można bezpiecznie stosować z żywnością lub płynami o temperaturze do 100 ° C.
- Podczas mieszania płynów (zwłaszcza gorących płynów) należy używać wysokiego pojemnika lub niewielkich ilości naraz, aby zmniejszyć ryzyko rozlania, rozprysków i możliwości poparzenia.
- Podczas zacierania lub zup używaj średniej prędkości, aby najpierw przełamać duże, delikatne składniki, a następnie stopniowo zwiększać prędkość do wysokiej, aby uzyskać gładkie wykończenie.
- **ŚRODKI OSTROŻNOŚCI:**
 - Uważaj, aby nigdy nie wyjmować wałka mieszającego płyn podczas jego działania, ponieważ może się rozpryskać.
 - Nie pozostawiaj miksera ręcznego w gorącym garnku na ciepło, gdy nie jest używany.
 - Nie próbuj mieszać pestek, pestek ani innych twardych materiałów, ponieważ mogą one uszkodzić ostrze.

- Nie przepelniaj wybranych pojemników do mieszania. Poziom mieszania wzrośnie podczas mieszania i może się przelać.
- Nie kładź palców w pobliżu ostrzy. Aby usunąć jedzenie; Najpierw odłącz mikser ręczny od zasilania elektrycznego.

CZYSZCZENIE I KONSERWACJA

- Zawsze dokładnie czyść urządzenie po użyciu.

Jednostka główna:

- Upewnij się, że wszelkie akcesoria zostały usunięte z urządzenia.
- Czyść jednostkę główną i ładowarkę tylko wilgotną gąbką lub ściereczką. Nie należy używać ściernych środków czyszczących, które mogą porysować powierzchnię.

Wał mieszający:

- Odłącz akcesorium od jednostki głównej.
- Aby wyczyścić wałek miksujący, umyj go ręcznie ciepłą wodą z mydłem lub umieść go na górnym koszu zmywarki.
- **Ostrzeżenie:** Zwróć uwagę na stałe ostre krawędzie ostrzy, które są bardzo ostre i należy z nimi obchodzić się ostrożnie, aby uniknąć obrażeń.



Zgodnie z dyrektywami: 2012/19 / UE i 2015/863 / UE w sprawie ograniczenia stosowania niebezpiecznych substancji w sprzęcie elektrycznym i elektronicznym, a także ich usuwania. Symbol z przekreślonym pojemnikiem na śmieci pokazany na opakowaniu oznacza, że produkt pod koniec okresu użytkowania będzie zbierany jako osobny odpad. Dlatego każdy produkt, który osiągnął koniec okresu użytkowania, musi zostać dostarczony do wyspecjalizowanych centrów usuwania odpadów w celu selektywnej zbiórki zużytego sprzętu elektrycznego i elektronicznego lub zwrócony do sprzedawcy przy zakupie podobnego nowego sprzętu, w jednym dla jednej bazy. Właściwa selektywna zbiórka w celu późniejszego uruchomienia sprzętu przeznaczonego do recyklingu, obróbki i utylizacji w sposób przyjazny dla środowiska pomaga zapobiegać potencjalnym negatywnym skutkom dla środowiska i zdrowia oraz optymalizuje recykling i ponowne użycie elementy składające się na urządzenie. Niewłaściwe usunięcie produktu przez użytkownika oznacza nałożenie sankcji administracyjnych zgodnie z prawem.

CREATE



FR

Cet appareil
se recycle

À DÉPOSER
EN MAGASIN



OU

À DÉPOSER
EN DÉCHÈTERIE



Points de collecte sur www.quefairedemesdechets.fr
Privilégiez la réparation ou le don de votre appareil !



RoHS



/ Made in P.R.C.