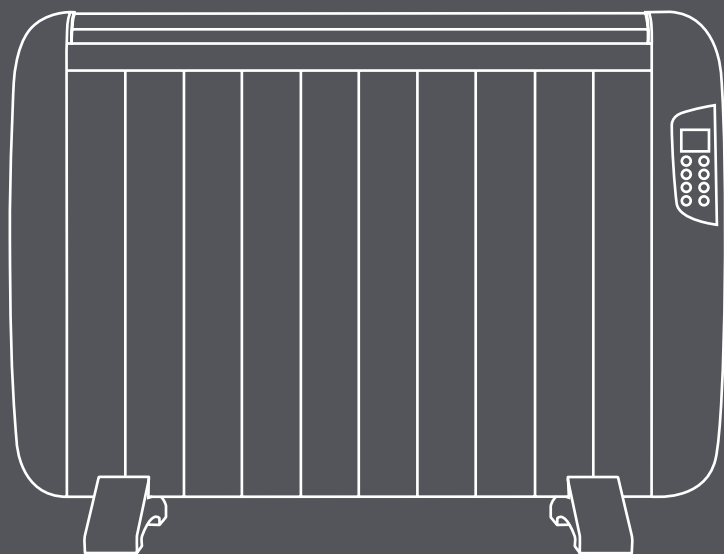


CREATE

WARM SLIM
1500



ELECTRIC CONVECTOR WITH WiFi AND APP
CONVECTOR ELÉCTRICO CON WiFi Y APP

USER MANUAL

INDEX

ENGLISH

Security instructions	6
Installation and mounting	8
Wall installation	8
Assembly	8
Use of the item	9
Control panel	10
Operation for remote control	11
Cleaning	11
Wifi function	12
Characteristics	13

ESPAÑOL

Instrucciones de seguridad	14
Instalación y montaje	16
Instalación en pared	16
Montaje	16
Uso de la unidad	17
Panel de control	18
Funcionamiento del mando a distancia	19
Limpieza	19
Función wifi	20
Características	21

PORTUGUÊS

Instruções de segurança	22
Instalação e montagem	24
Instalação na parede	24
Montagem	24
Utilização do artigo	25
Painel de controlo	26
Funcionamento do comando à distância	27
Limpeza	27
Função de wi-fi	28
Características	29

FRANÇAIS

Instructions de sécurité	30
Installation et montage	32
Installation murale	32
Assemblage	32
Utilisation de l'appareil	33
Tableau de commande	34
Fonctionnement de la télécommande	35
Nettoyage	35
Fonction wi-fi	36
Caractéristiques	37

INDEX

ITALIANO

Istruzioni di sicurezza	38
Installazione e montaggio	40
Installazione a muro	40
Montaggio	40
Utilizzo dell'articolo	41
Pannello di controllo	42
Operazioni per il telecomando	43
Pulizia	43
Funzione wi-fi	44
Caratteristiche	45

DEUTSCH

Sicherheitshinweise	46
Installation und montage	48
Wandmontage	48
Montage	48
Gebrauch des artikels	49
Bedienpanel	50
Vorgehensweise für fernbedienung	51
Reinigung	51
Wlan-funktion	52
Eigenschaften	53

NEDERLANDS

Beveiligingsinstructies	54
Installatie en montage	56
Muurinstallatie	56
Montage	56
Het apparaat gebruiken	57
Controlepaneel	58
Bediening op afstand	59
Reiniging	59
Wifi-functie	60
Kenmerken	61

POLSKI

Instrukcje bezpieczeństwa	62
Instalacja i montaż	64
Montaż na ścianie	64
Montowanie	64
Korzystanie z urządzenia	65
Panel sterowania	66
Zdalne sterowanie	67
Czyszczenie	67
Funkcja wi-fi	68
Charakterystyka	69

ENGLISH

Thank you for choosing our heater. Before using the appliance, carefully read these instructions to ensure it is used correctly.

The safety precautions enclosed reduce the risk of death, injury and electrical shock when correctly followed. Keep the manual in a safe place for future reference, along with the completed warranty card, purchase receipt and package. If applicable, pass these instructions on to the next owner of the appliance. Always follow basic safety precautions and accident prevention measures when using an electrical appliance. We assume no liability for customers who fail to comply with these requirements.

SECURITY INSTRUCTIONS

When using any electrical appliance, basic safety precautions should always be observed.

- Remove the plug from the mains power socket to disconnect the heater. Do not pull on the cable.
- Do not leave the mains cable in contact with the heater when it is switched on.
- During operation, ensure that the heater is kept well away from combustible materials such as curtains, carpets and furniture, etc.
- Do not cover the heater. Do not use the heater to dry clothes. If the heater is covered, there is serious risk of overheating.
- Danger: if the mains cable is damaged, it must be replaced by the manufacturer. By its after-sales service or by fully qualified personnel in order to prevent any hazardous situations.
- If the heater is to be installed in a bathroom, it must be installed by a qualified electrician.
- The heater must not be located under or in front of a mains socket.
- When disposing of the heater, all requirements established by current legislation for waste processing and recycling must be followed.
- The installation must be carried out according to current electrical legislation.
- This heater must have an earth connection.
- The heater must be installed so that the mains plug is always accessible.
- This heater cannot be flush-mounted in a wall. Always respect the safety distances.
- A locking system is fitted to prevent children from playing with the heater programming.
- This heater is not designed to be handled by children or physically, mentally or sensory handicapped persons with little experience or knowledge, unless under the supervision of a person responsible for their safety and in possession of the corresponding instructions on use. Children must be supervised to ensure they do not play with the heater.

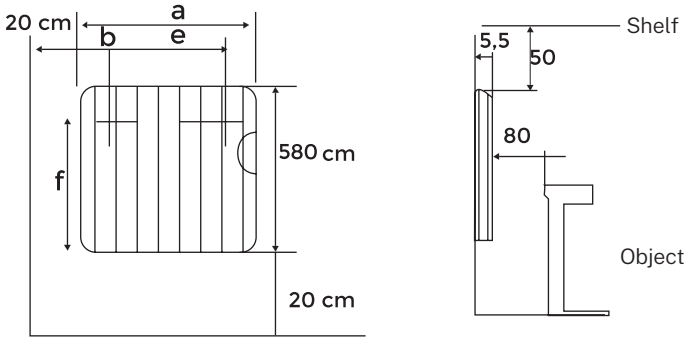
- Children younger than three years old must be kept well away from the heater unless under constant supervision.
- Children younger than three years old must be kept away unless continuously supervised. Children aged between three and eight years old shall only switch the appliance on/off if it has been placed or installed in its intended normal operating position and they are supervised or instructed on how to use the appliance safely and understand the hazards involved. Children aged between three and eight years old may not plug in, regulate and clean the appliance or perform user maintenance.
- This appliance may be used by children aged eight and over and by persons with physical, sensory or mental disabilities or without experience or knowledge, provided they have been duly trained and are supervised by somebody who understands the hazards. The cleaning and maintenance to be carried out by the user must not be done by children. Children should not play with the appliance.
- Precaution: certain parts of this heater may become very hot during operation and cause burns. Special care must be taken when children and other vulnerable persons are present.

Caution: keep bags and other accessories well out of the reach of children.

- Do not touch the outside of the heater during operation.
- It is quite normal to notice a new smell when the heater is switched on for the first time. Allow your heater to work in a well-ventilated area for two or three hours.
- Before each cold season, or if the heater has been switched off for several days/months, it should be cleaned before switching it on again (follow the steps in section 10 “maintenance”). This cleaning will prevent the burning of accumulated dust and other remains.
- This heater cannot be operated with external programmable units or any other third party control device.
- Due to the convection effect of this heater, together with other external factors, discolouration of metal and other surfaces can be caused if in proximity to the heater. This can cause discolouration of metal and plastic surfaces.
- Temperature fluctuations may cause crackling or heater noises. This is not an indication of failure.
- The heater warranty does not cover any damage caused by failing to follow these instructions.

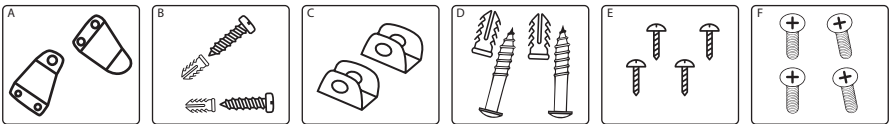
INSTALLATION AND MOUNTING

- This heater can be installed on feet (provided) or on a wall (fixings provided).
- The heater must never be installed underneath a mains wall socket.
- The heater must never be installed in a position where the switches and other controls can be reached by someone in the bath or shower.
- The heater works through natural air convection. In order to achieve correct performance and uniform heat distribution, when it is installed on a wall the lower part of the heater must be a minimum of 20 centimetres from the floor, a minimum of 20 centimetres from the sides, 50 centimetres from an upper shelf and also a minimum of 20 centimetres from any wall or object (furniture and curtains etc).



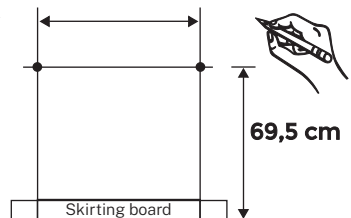
WALL INSTALLATION

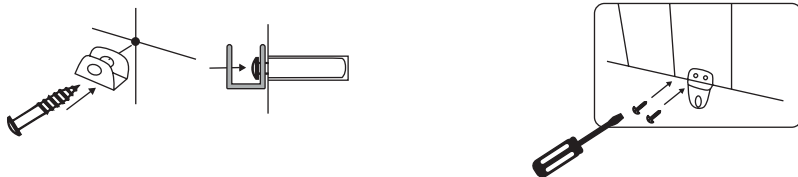
1. Select a suitable location on the wall, which should be firm and level. Check that there is a mains socket close by.
2. The distances vary depending on the heater model.
3. Open the package box and check that all fixing accessories are present, it is a good idea to keep the product box for storing out of season.



ASSEMBLY

1. While respecting the previously indicated safety measurements, make two marks on the wall according to measurement "e" indicated in Table 1 and at a height of 69.5 cm from the floor (not from the skirting board).
2. At the marked area drill two 10 mm diameter holes, with a minimum depth of 60 mm.
3. Push the two plugs (D) into the two holes and secure the two hooks (C) with the two screws (E).





4. Screw the two support brackets (A) (or one support bracket, depending on the model) to the rear part of the heater with the four screws (E) (or two screws, depending on the model).

Note: The two brackets (A) are screwed to the holes located on the lower rear part of the heater, at both ends.

5. Hang the heater on the two hooks (C) on the wall. Ensure that the heater is correctly secured on both hooks.

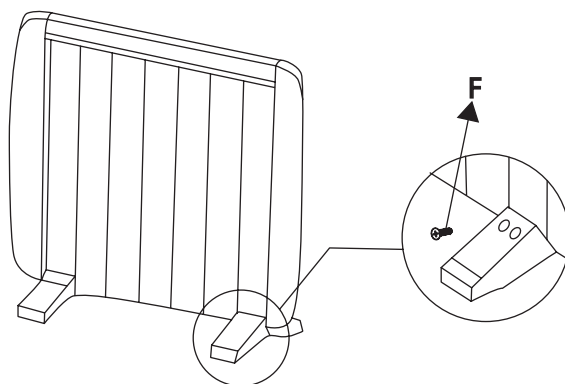
6. When the heater is hung in place, make two marks on the wall where the two brackets (A) will be fixed to ensure the heater is fixed to the wall.

7. Remove the heater and drill two 4 mm diameter holes with a minimum depth of 25 mm at the two marks on the wall.

8. Insert the two plugs and secure with the two screws (B) to completely secure the heater to the wall.

INSTALLING THE FEET

1. Screw the two feet to the lower rear part of the heater with the four screws provided (F): two screws per foot.



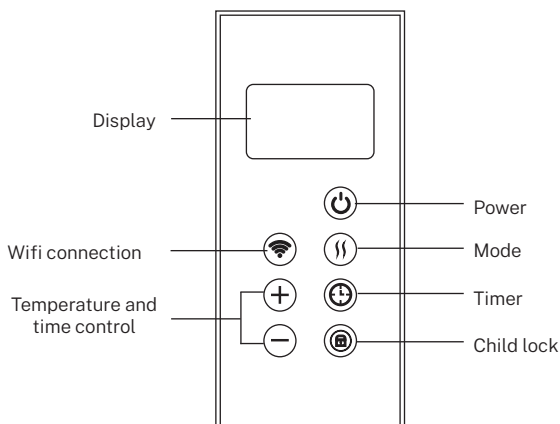
USE OF THE ITEM

- Place the heater on flat stable surface
- Plug into any 220-240V, 50Hz, AC source, then turn on the switch at side, you will hear a beep sound.
- Turn on the heater by pressing the power button “⏻”, the LED will display room temperature, then use the touch controls or remote control to set the power, temperature and time.
- If the appliance is not used for a long time, switch it off with power switch and unplug the item.
- Warning! Do not cover the product! Convecteur should not be placed under shower or in swimming pool.

CONTROL PANEL

Insert the plug in a suitable power socket. The touch screen buttons located on the product correspond to the remote control functions.

The display will be off automatically after few minutes.



POWER

When the product is on, press “power”. The upper part of the display shows temperature. The heater is working at low power heating conditions.

MODE

Low grade, high grade.

TEMPERATURE

The temperature can be set from 5 °C to 40 °C.

Internal temperature is displayed every time the appliance is started up. The temperature can be set when the appliance is on stand-by or heating. When the room temperature reaches the set level, the high temperature power stops and the low temperature power remains active. When room temperature is two degrees over the set temperature, both the high and lower temperature powers will stop operating. The machine will begin operating again only when temperature decreases two degrees with respect to the set temperature.

TIMER

The timer button can be set to start or stop the appliance at the desired time, with a time interval between 1 and 24 hours.

CHILD LOCK

Press the child clock button for three seconds to lock the heater. After pressing the Child Lock button for three seconds again, the heater is unlocked.

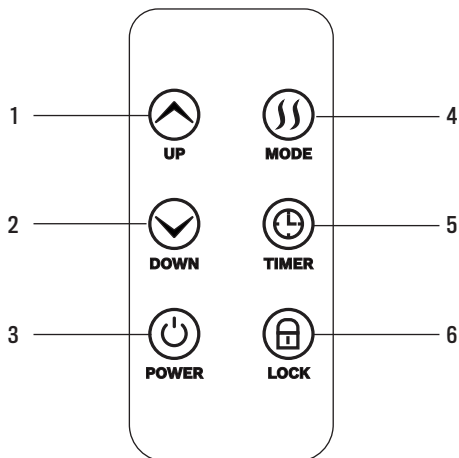
You can also press the mode button on the control panel for 3 seconds to lock the screen or unlock it.

OPERATION FOR REMOTE CONTROL

Insert the plug in a suitable power socket.

The touch screen buttons located on the product correspond to the remote control functions.

1. Temperature / Time up
2. Temperature / Time down
3. Power button
4. Mode
5. Timer
6. Child lock



CLEANING

- Before cleaning the item wait for it to cool down and unplug it.
- Do not use abrasives and solvents. Wipe the product with a soft wet cloth.
- Dust must be regularly removed from the surface.
- Do not wash the item or place it in water!
- If you will not use the heater for a long time, wipe the surface and put the item in the box.
- It should be placed in a dry ventilated room. Avoid high humidity and mechanical impact on the item.

Warning: never leave heater unattended!

The importer retains the right to change the appearance and completeness of the item without advising the customer in advance.

The item is for household use only.

Warning! The manufacturer does not assume any liability for any damage caused directly or indirectly by not following this instruction manual or general safety rules, or by interfering with the construction of the product.

WIFI FUNCTION

1. Use your phone to scan the QR code below or search “CREATE Home” to download and install the app.



iPhone OS



Android OS

2. Select your country code, enter your mobile number and tap “Get” to get a message containing verification code.
3. Enter the verification code in the message and tap “Login” to login to the app.
4. Go to the app, tap “add device” at the bottom.
5. There are two connection methods for the app (hotspot mode and quick connect mode). The quick connect mode is the default mode. Users can tap the upper right corner to switch the connection method to hotspot mode.
 - For quick connect mode, please make sure the device’s instructor light is flashing quickly.
 - For hotspot mode, please make sure the device’s instructor light is flashing slowly.
 - If the light is not flashing as described above, please press the device’s reset button for five seconds or longer until it flashes correctly.
6. Select the Wi-Fi, enter password and tap “Next”.
7. For quick connect mode, the app interface will go through the changes during the network configuration processes.
8. The device is now connected correctly.
9. After the device is connected successfully, tap “Devices” at the bottom. The device name shows in the list. Tap it to enter the control panel of the smart socket.

Notes:

- When device is online, there will be a green dot at the front of the device icon.
 - When the device is offline, the dot will be grey.
 - If the device is shared by others, there will be a double loop.
10. “My profile” is where users can manage personal information.
 - Personal information: including account name and mobile number.
 - Information of shared devices.
 - Message centre.
 - Entry to submit feedback.
 - F.A.Q.
 - Phone linking: if you sign in with a social network account, you can link your phone number with your account.
 - About Add sharing: As shown in the picture, users can type in a new member’s mobile number and share the device with them. The new member can control the device with their own account.

CHARACTERISTICS

This product is only suitable for well insulated spaces or occasional use.

Heat Output	WARM SLIM 1500	Type of heat input, for electric storage local space heaters only (select one)	WARM SLIM 1500	
Nominal heat output	1.5 KW	Manual heat charge control, with integrated thermostat.	NO	
Minimum heat output (indicative)	1.5 KW	Manual heat charge control, with room and/or outdoor temperature feedback.	NO	
Maximum continuous heat output	1.5 KW	Electronic heat charge control with room and/or outdoor temperature feedback.	NO	
Auxiliar electricity consumption		Fan asisted heat output	NO	
At nominal heat output	N/A	Type of heat output/room temperature control (select one).		
At minimum heat output	N/A	Single state heat output and no room temperature control.	NO	
In standby mode	0.00094 KW	Two or more manual stages, no room temperature control.	NO	
		With mechanic thermostat room temperature control.	NO	
		With electronic room temperature control.	NO	
		Electronic room temperature control plus day timer.	NO	
		Electronic room temperature control plus week timer.	YES	
		Other control options (multiple selections possible).		
		Room temperature control, with presence detection.	NO	
		Room temperature control, with open window detection.	YES	
		With distance control option.	NO	
		With adaptive start control.	NO	
With working time limitation.	NO			
With black bulb sensor.	NO			



In compliance with Directives: 2012/19/EU and 2015/863/EU on the restriction of the use of dangerous substances in electric and electronic equipment as well as their waste disposal. The symbol with the crossed dustbin shown on the package indicates that the product at the end of its service life shall be collected as separate waste. Therefore, any products that have reached the end of their useful life must be given to waste disposal centres specialising in separate collection of waste electrical and electronic equipment, or given back to the retailer at the time of purchasing new similar equipment, on a one for one basis. The adequate separate collection for the subsequent start-up of the equipment sent to be recycled, treated and disposed of in an environmentally compatible way contributes to preventing possible negative effects on the environment and health and optimises the recycling and reuse of components making up the apparatus. Abusive disposal of the product by the user involves application of the administrative sanctions according to the laws.

Muchas gracias por elegir nuestro calefactor. Antes de usar el aparato, lea detenidamente estas instrucciones para su correcta utilización.

Las precauciones de seguridad incluidas reducirán el riesgo de muerte, lesiones y descarga eléctrica si se respetan estrictamente. Guarde este manual en un lugar seguro para consultarlo en el futuro, junto con el embalaje original del producto y el justificante de compra. Si es posible, entregue estas instrucciones al siguiente propietario del electrodoméstico. Respete en todo momento las precauciones de seguridad básicas y las normas de prevención de accidentes cuando utilice un electrodoméstico. Declinamos toda responsabilidad derivada del incumplimiento de estas instrucciones por parte del cliente.

INSTRUCCIONES DE SEGURIDAD

Al utilizar cualquier electrodoméstico, se deberán respetar en todo momento las medidas de seguridad básicas:

- Retire el enchufe de la toma de corriente para desconectar el calefactor. No tire del cable.
- No deje el cable de alimentación en contacto con el calefactor mientras esté encendido.
- Durante el funcionamiento del mismo, asegúrese de mantener el calefactor alejado de materiales inflamables como cortinas, alfombras, muebles, etc.
- No cubra el calefactor. No utilice el calefactor para secar ropa. Si cubre el calefactor, existe un riesgo grave de que se produzca un sobrecalentamiento.
- Peligro: si el cable de alimentación se daña, el fabricante deberá sustituirlo a través de su servicio postventa o una persona cualificada para evitar que se produzcan situaciones de peligro.
- Si va a instalar el calefactor en un baño, un electricista cualificado deberá realizar la instalación.
- No debe colocar el calefactor debajo o delante de una toma de corriente.
- Cuando vaya a desechar el calefactor, deberá seguir todos los requisitos establecidos en la legislación actual en materia de tratamiento de residuos y reciclaje.
- La instalación debe realizarse de conformidad con la legislación actual sobre seguridad eléctrica.
- Este calefactor debe poseer una conexión a tierra.
- El calefactor debe instalarse de modo que permita acceder siempre a la toma de corriente.
- Este calefactor no puede encastrarse en la pared. Debe respetar siempre las distancias de seguridad.
- El calefactor incorpora un sistema de bloqueo para evitar que los niños jueguen con el programador.
- Este calefactor no está diseñado para ser manejado por niños o personas con discapacidades físicas, mentales o sensoriales con poca experiencia o conocimientos, a menos que se encuentren bajo la supervisión de una

persona responsable de su seguridad y cuenten con las instrucciones de uso correspondientes. Los niños deben ser supervisados para asegurarse de que no jueguen con el calefactor.

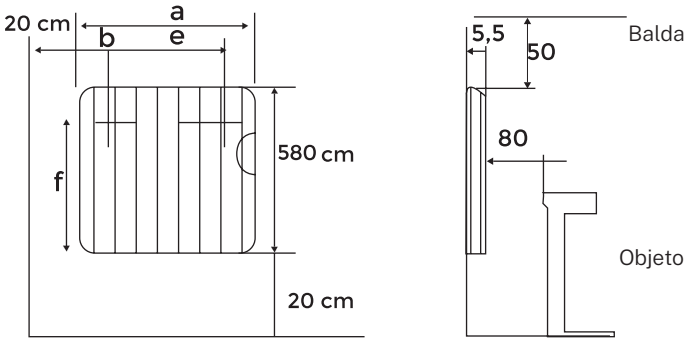
- Los niños menores de tres años deben mantenerse totalmente alejados del calefactor a menos que se encuentren bajo una supervisión constante.
- Los niños menores de tres años deben mantenerse alejados del calefactor a menos que estén constantemente supervisados. Los niños de entre tres y ocho años de edad únicamente deben encender/apagar el aparato cuando este se haya situado o instalado en su posición de funcionamiento prevista, y se les supervise o se les haya indicado cómo deben utilizarlo de forma segura y comprendan los riesgos existentes. Los niños de entre tres y ocho años de edad no pueden enchufar, regular ni limpiar el aparato ni realizar tareas de mantenimiento del usuario.
- Este aparato puede ser utilizado por niños de al menos ocho años de edad y personas con discapacidades físicas, sensoriales o mentales o sin experiencia o conocimientos, siempre que se les haya indicado debidamente cómo deben utilizarlo y estén supervisados por una persona que comprenda los riesgos. La limpieza y el mantenimiento del calefactor que deberá realizar el usuario no deben ser realizados por niños. Los niños no deben jugar con este aparato.
- Cuidado: es posible que algunas partes del calefactor alcancen muy altas temperaturas durante el funcionamiento del mismo y provoquen quemaduras. Tenga especial cuidado en presencia de niños y otras personas vulnerables.

Precaución: mantenga las bolsas y otros accesorios absolutamente fuera del alcance de los niños.

- No toque el exterior del calefactor durante su funcionamiento.
- Cuando el calefactor se enciende por primera vez, es normal notar un olor a nuevo. Utilice el calefactor en una zona bien ventilada durante dos o tres horas.
- Antes de la llegada de cada estación de frío, o cuando el calefactor se haya encontrado desconectado durante días o meses, límpielo antes de volver a conectarlo (para ello, siga los pasos que se describen en la sección 10 «mantenimiento»). Esta limpieza evitará que se quemé polvo y otros restos acumulados en el aparato.
- Este calefactor no se puede utilizar con unidades programables externas ni ningún otro dispositivo de control de terceros.
- Debido al efecto de convección de este calefactor, junto con otros factores externos, es posible que se produzcan decoloraciones de metales y otras superficies si se encuentran cerca del mismo. Esto puede provocar una decoloración de las superficies metálicas y plásticas.
- Es posible que las fluctuaciones de temperatura provoquen chisporroteos o ruidos en el calefactor. Esto no indica que se haya producido ningún fallo en el aparato.
- La garantía del calefactor no cubre ningún daño que se produzca debido al incumplimiento de estas instrucciones.

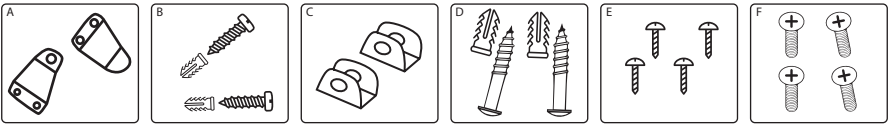
INSTALACIÓN Y MONTAJE

- Este calefactor puede instalarse sobre sus patas (se suministran) o en la pared (se suministran sujeciones).
- El calefactor no debe instalarse nunca debajo de una toma de corriente, ni en una posición en la que una persona que se encuentre en la bañera o la ducha pueda acceder a los interruptores y otros controles del mismo.
- El calefactor funciona por convección natural de aire. Para que el aparato funcione correctamente y distribuya el aire de manera uniforme, cuando se instale en una pared, la parte inferior del mismo deberá situarse a un mínimo de 20 centímetros del suelo, a un mínimo de 20 centímetros de los laterales, a 50 centímetros de cualquier balda situada sobre el mismo, así como a un mínimo de 20 centímetros de cualquier pared u objeto (muebles y cortinas, etc.).



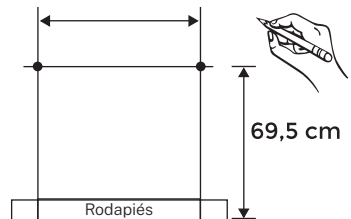
INSTALACIÓN EN PARED

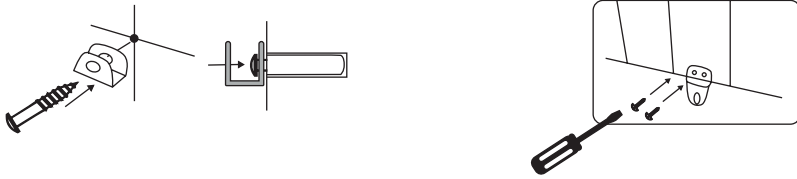
1. Escoja una ubicación adecuada en la pared, que sea segura y esté nivelada. Compruebe que exista una toma de corriente cerca.
2. Las distancias varían en función del modelo de calefactor.
3. Abra la caja y compruebe que todos los accesorios para la fijación del aparato se encuentran dentro. Puede guardar la caja del producto para almacenarlo cuando no vaya a utilizarlo.



MONTAJE

1. Respetando las medidas de seguridad que se han mencionado anteriormente, realice dos marcas en la pared según las medidas «e» que se indican en la Tabla 1 y a una altura de 695 mm del suelo (no del rodapié).
2. En la zona marcada, haga dos agujeros de 10 mm de diámetro, con una profundidad mínima de 60 mm.
3. Introduzca los dos tacos (D) en los dos orificios y fije los dos ganchos (C) con los dos tornillos (D).





4. Atornille los dos soportes (A) (o un soporte, en función del modelo) a la parte trasera del calefactor con los cuatro tornillos (E) (o dos tornillos, en función del modelo).

Nota: Los dos soportes (A) se atornillan en los orificios situados en la parte posterior inferior del calefactor, en ambos extremos.

5. Cuelgue el calefactor de los dos gancho (C) de la pared. Asegúrese de que el aparato se sujete correctamente de los dos ganchos.

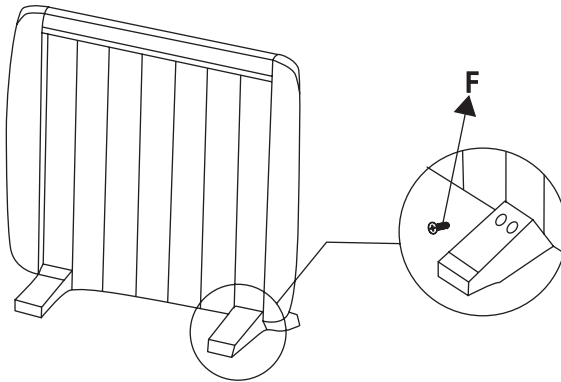
6. Cuando el calefactor se haya colgado en su sitio, realice dos marcas en la pared en las que se fijarán los dos soportes (A) para asegurar que el calefactor se queda fijado en la pared.

7. Retire el calefactor y realice dos agujeros de 4 mm de diámetro con una profundidad mínima de 25 mm en las dos marcas de la pared.


8. Inserte los dos tacos y fijelos con los dos tornillos (B) para fijar completamente el calefactor a la pared.

INSTALACIÓN DE LAS PATAS

1. Atornille las dos patas a la parte posterior inferior del calefactor con los cuatro tornillos que se suministran (F), dos tornillos por pata.



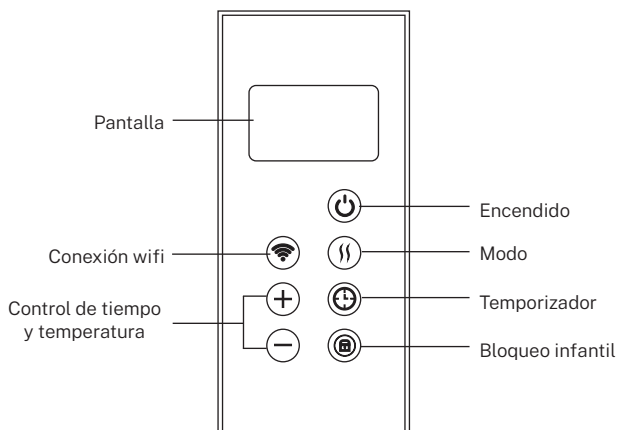
USO DE LA UNIDAD

- Coloque el calefactor en una superficie plana estable.
- Enchúfelo a cualquier fuente de alimentación de CA de 220-240 V y 50 Hz y, a continuación, encienda el interruptor situado en el lateral. Escuchará un pitido.
- Encienda el calefactor pulsando el botón de encendido «», el LED mostrará la temperatura ambiente. A continuación, utilice los controles táctiles o el mando a distancia para ajustar la potencia, la temperatura y la hora.
- Cuando no vaya a utilizar el aparato durante un tiempo prologando, apáguelo con el interruptor de encendido y desconéctelo del enchufe.
- ¡Advertencia! No cubra el producto. No coloque el aparato debajo de la ducha o en una piscina.

PANEL DE CONTROL

Inserte el enchufe en una toma de corriente adecuada. Los botones de la pantalla táctil situados en el producto corresponden a las funciones del mando a distancia.

La pantalla se apagará automáticamente después de unos minutos.



⏻ POTENCIA

Cuando el producto esté encendido, pulse el botón «Power». Verá la temperatura en la parte superior de la pantalla. El calefactor funciona en condiciones de calefacción de baja potencia.

⏸ MODO

Puede escoger entre el modo bajo o el modo alto.

TEMPERATURA

La temperatura puede ajustarse entre 5 °C y 40 °C.

La temperatura interna se muestra cada vez que el aparato se enciende. La temperatura se puede ajustar cuando el aparato se encuentra en modo standby o de funcionamiento. Cuando la temperatura ambiente alcanza el nivel establecido, la salida de la temperatura máxima se detiene y la salida de la temperatura mínima permanece activa. Cuando la temperatura ambiente se encuentra dos grados por encima de la temperatura establecida, tanto la salida de la temperatura mínima como de la temperatura máxima dejan de funcionar. El aparato solo comenzará a funcionar de nuevo cuando la temperatura disminuya dos grados con respecto a la temperatura que haya establecido.

⌚ TEMPORIZADOR

El botón del temporizador se puede ajustar para encender o apagar al aparato a la hora que desee, con un intervalo de tiempo de entre 1 y 24 horas.

🔒 BLOQUEO INFANTIL

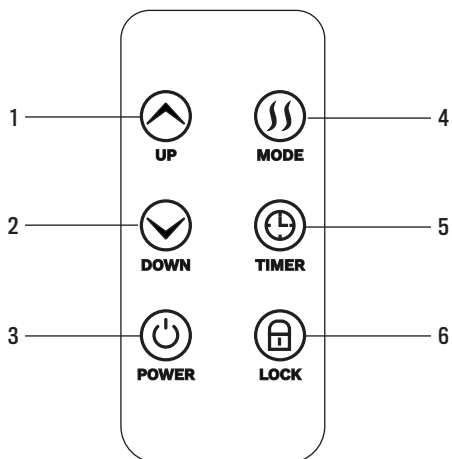
Presione el botón del bloqueo infantil durante tres segundos para bloquear el calefactor. Para desbloquearlo, vuelva a pulsar el botón durante tres segundos. También puede pulsar el botón de modo durante 3 segundos para bloquear o desbloquear la pantalla.

FUNCIONAMIENTO DEL MANDO A DISTANCIA

Inserte el enchufe en una toma de corriente adecuada.

Los botones de la pantalla táctil situados en el producto corresponden a las funciones del mando a distancia.

1. Subir temp. / tiempo
2. Bajar temp. / tiempo
3. Botón de encendido
4. Modo
5. Temporizador
6. Bloqueo infantil



LIMPIEZA

- Antes de limpiar el aparato, espere a que se enfríe y desenchúfelo.
- No utilice productos abrasivos ni disolventes. Limpie el producto con un paño húmedo suave.
- Elimine el polvo de la superficie periódicamente.
- No lave el aparato ni lo coloque debajo del agua.
- Si no va a utilizar el aparato durante un tiempo prolongado, limpie la superficie y guárdelo en la caja.
- Debe almacenarlo en una habitación ventilada y seca. Evite la humedad elevada y que se produzca cualquier impacto mecánico sobre el aparato.

Advertencia: no deje nunca el calefactor desatendido.

El importador se reserva el derecho de modificar el aspecto y la integridad del artículo sin previo aviso al cliente.

El aparato se ha concebido solo para su uso doméstico.

¡Advertencia! El fabricante no asume ninguna responsabilidad por ningún daño que se produzca directa o indirectamente debido al incumplimiento del presente manual de instrucciones o las normas de seguridad generales, ni debido a interferencias en la fabricación del producto.

FUNCIÓN WIFI

1. Utilice su teléfono para escanear el código QR que encontrará a continuación o busque «CREATE Home» para descargar e instalar la aplicación.



iPhone OS



Android OS

2. Seleccione el prefijo de su país, introduzca su número de móvil y pulse «Obtener» para recibir un mensaje con el código de verificación.
3. Introduzca el código de verificación del mensaje y pulse «Iniciar sesión» para iniciar sesión en la aplicación.
4. Abra la aplicación y pulse «Añadir dispositivo» en la parte inferior.
5. Puede conectar el aparato a la aplicación de dos formas distintas (el modo punto de acceso o el modo de conexión rápida). El modo de conexión rápida es el modo predeterminado. Los usuarios pueden pulsar en la esquina superior derecha para cambiar la forma de conexión al modo punto de acceso.
 - Si desea utilizar el modo de conexión rápida, asegúrese de que la luz de la pantalla del dispositivo esté parpadeando rápidamente.
 - Para el modo punto de acceso, asegúrese de que la luz de la pantalla del dispositivo esté parpadeando lentamente.
 - Si tal y como se ha descrito anteriormente no parpadea ninguna luz, pulse el botón de reinicio del dispositivo durante cinco segundos o más hasta que parpadee correctamente.
6. Seleccione la red wifi, introduzca la contraseña y pulse «Siguiente».
7. Para el modo de conexión rápida, podrá realizar los cambios pertinentes en la interfaz de la aplicación durante el proceso de configuración de la red.
8. El dispositivo ya está conectado correctamente.
9. Una vez que lo haya conectado, pulse «Dispositivos» en la parte inferior. El nombre del dispositivo aparecerá en la lista. Púlselo para acceder al panel de control del conector inteligente.

Notas:

- Cuando el dispositivo se encuentre conectado a la red, se mostrará un punto verde en la parte delantera del icono del dispositivo.
 - Cuando el dispositivo no se encuentre conectado a la red, se mostrará un punto de color gris.
 - Si comparte el dispositivo con otras personas, aparecerá un bucle doble.
10. En «Mi perfil» puede gestionar sus datos personales como
 - Su nombre de cuenta y su número de teléfono.
 - Información sobre los dispositivos compartidos.
 - Centro de mensajes.
 - Acceda al mismo cuando desee enviar cualquier comentario.
 - Preguntas frecuentes.
 - Cómo vincular el teléfono: si inicia sesión con la cuenta de una red social, puede vincular su número de teléfono con su cuenta.
 - Cómo añadir usuarios para compartir el dispositivo: tal y como se muestra en la imagen, los usuarios pueden introducir el número de móvil de un nuevo miembro para compartir el dispositivo con él. El nuevo miembro podrá controlar el dispositivo con su propia cuenta.

CARACTERÍSTICAS

Este producto solo es adecuado para espacios bien aislados o para uso ocasional.

Salida de Calor	WARM SLIM 1500	Tipo de imputación por calor, solo para calentadores eléctricos locales (seleccione uno)	WARM SLIM 1500
Salida de calor nominal	1.5 KW	Control manual de la carga térmica, con termostato integrado.	NO
Salida de calor mínima (indicativa)	1.5 KW	Control de carga de calor manual, con espacio y/para retroalimentación de temperatura exterior.	NO
Máxima salida de calor continuo	1.5 KW	Control electrónico de carga térmica con espacio y / para retroalimentación de temperatura exterior.	NO
Consumo de electricidad auxiliar		Salida de calor asistida por ventilador	NO
Salida de calor nominal	N/A	Tipo de salida de calor / control de temperatura ambiente (Seleccione uno).	
Salida de calor mínima	N/A	Salida de calor de un solo estado y sin control de temperatura ambiente.	NO
En modo de espera	0.00094 KW	Dos o más etapas manuales, sin control de temperatura ambiente.	NO
		Con termostato mecánico de control de temperatura ambiente.	NO
		Con control electrónico de temperatura ambiente.	NO
		Control electrónico de la temperatura ambiente y temporizador de día.	NO
		Control electrónico de temperatura ambiente más temporizador de la semana.	SÍ
		Otras opciones de control (posibles selecciones múltiples).	
		Control de temperatura ambiente, con detección de presencia.	NO
		Control de temperatura ambiente, con detección de ventana abierta.	SÍ
		Con opción de control de distancia.	NO
		Con control de arranque adaptativo.	NO
		Con limitación de tiempo de trabajo.	NO
		Con sensor de bombilla negro.	NO



En cumplimiento de las directivas: 2012/19 / UE y 2015/863 / UE sobre la restricción del uso de sustancias peligrosas en equipos eléctricos y electrónicos, así como su eliminación de residuos. El símbolo con el cubo de basura cruzado que se muestra en el paquete indica que el producto al final de su vida útil se recogerá como residuo separado. Por lo tanto, cualquier producto que haya llegado al final de su vida útil debe entregarse a centros de eliminación de residuos especializados en la recogida selectiva de equipos eléctricos y electrónicos de desecho, o devolverse al minorista al momento de comprar equipos nuevos similares, en uno para Una base. La recolección separada adecuada para la posterior puesta en marcha de los equipos enviados para ser reciclados, tratados y eliminados de una manera compatible con el medio ambiente contribuye a prevenir posibles efectos negativos sobre el medio ambiente y la salud y optimiza el reciclaje y la reutilización de los componentes que componen el aparato. La eliminación abusiva del producto por parte del usuario implica la aplicación de las sanciones administrativas de acuerdo con las leyes.

Obrigado por escolher o nosso aquecedor. Antes de utilizar o aparelho, leia com atenção estas instruções para garantir a sua utilização correta.

As precauções de segurança em anexo reduzem o risco de morte, lesão ou choque elétrico quando corretamente seguidas. Guarde o manual num local seguro para referência futura, juntamente com o cartão de garantia preenchido, o recibo da compra e a embalagem. Se aplicável, passe estas instruções para o próximo proprietário do dispositivo. Siga sempre as precauções de segurança e as medidas de prevenção de acidentes aquando da utilização de um eletrodoméstico. Não assumimos qualquer responsabilidade por clientes que não cumprem estes requisitos.

INSTRUÇÕES DE SEGURANÇA

Aquando da utilização de qualquer eletrodoméstico, devem ser sempre tidas em conta as precauções básicas de segurança.

- Retire a ficha da tomada da corrente para desligar o aquecedor. Não puxe o cabo.
- Não deixe o cabo elétrico em contacto com o aquecedor quando este estiver ligado.
- Durante o funcionamento, certifique-se de que o aquecedor é mantido bem longe de materiais combustíveis como cortinas, tapetes e mobiliário, etc.
- Não cubra o aquecedor. Não utilize o aquecedor para secar roupas. Se o aquecedor estiver coberto, existe um risco sério de sobreaquecimento.
- Perigo: se o cabo elétrico estiver danificado, deve ser substituído pelo fabricante, pelo seu serviço pós-venda ou por pessoal plenamente qualificado de modo a prevenir situações de perigo.
- Se o aquecedor for instalado numa casa de banho, deve ser instalado por um eletricista qualificado.
- O aquecedor não deve ser colocado debaixo ou à frente de uma tomada da corrente.
- Quando deitar fora o aquecedor, todos os requisitos estabelecidos na legislação atual para o processamento e reciclagem de resíduos devem ser cumpridos.
- A instalação deve ser realizada em conformidade com a legislação elétrica atual.
- O aquecedor deve ter uma ligação à terra.
- O aquecedor deve ser instalado de modo a que a tomada da corrente esteja sempre acessível.
- Este aquecedor não deve ser embutido numa parede. Respeite sempre as distâncias de segurança.
- Está equipado com um sistema de bloqueio para prevenir que as crianças brinquem com a programação do aquecedor.
- O aquecedor não foi concebido para ser manuseado por crianças ou pessoas com deficiências físicas, mentais ou sensoriais com pouca experiência ou conhecimento, salvo sob supervisão de uma pessoa respon-

sável pela sua segurança e em posse das instruções de utilização correspondentes. As crianças devem ser supervisionadas para garantir que não brincam com o aquecedor.

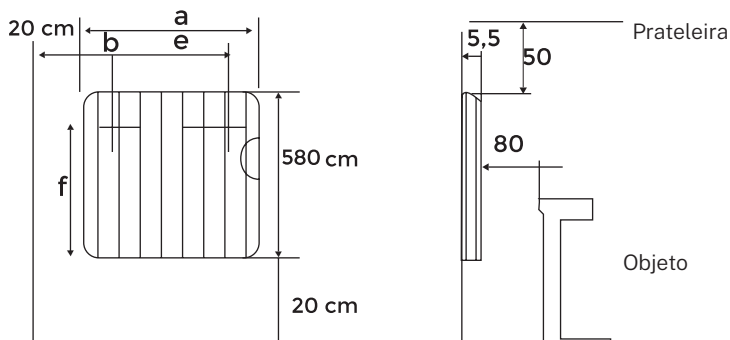
- As crianças com idade inferior a 3 anos devem ser mantidas longe do aquecedor, salvo sob supervisão constante.
- As crianças com idade inferior a 3 anos devem ser mantidas longe do aquecedor, salvo sob supervisão contínua. As crianças com idades compreendidas entre 3 e 8 anos apenas devem ligar ou desativar o aparelho se tiver sido colocado ou instalado na sua posição de funcionamento normal e se forem supervisionadas ou tiverem recebido instruções sobre a utilização segura do aparelho e tiverem compreendido os riscos implicados. As crianças com idades compreendidas entre 3 e 8 anos não podem ligar o aparelho à tomada, regular e limpar o aparelho ou realizar a manutenção de utilizador.
- Este aparelho pode ser utilizado por crianças com idade igual ou superior a 8 anos e por pessoas com deficiências físicas, sensoriais ou mentais ou sem experiência nem conhecimento, desde que tenham sido devidamente treinadas e estejam sob a supervisão de alguém que compreende os riscos. A limpeza e a manutenção devem ser realizadas pelo utilizador; não devem ser realizadas por crianças. As crianças não devem brincar com o eletrodoméstico.

Precaução: determinadas peças do aquecedor podem ficar muito quentes durante o funcionamento e causar queimaduras. Deve ter-se especial cuidado quando estão presentes crianças e outras pessoas vulneráveis.

- Cuidado: mantenha sacos e outros acessórios fora do alcance das crianças.
- Não toque na parte exterior do aquecedor durante o funcionamento.
- É normal notar um novo odor quando o aquecedor é ligado pela primeira vez. Deixe o aquecedor a trabalhar numa área bem ventilada durante 2 ou 3 horas.
- Antes de cada estação fria ou se o aquecedor estiver desligado durante vários dias/meses, deve ser limpo antes de o voltar a ligar (siga os passos na secção 10 “manutenção”). Esta limpeza irá prevenir a queima de pó acumulado e outros vestígios.
- O aquecedor não pode ser utilizado com unidades programáveis externas ou qualquer outro dispositivo de terceiros.
- Devido ao efeito de convecção deste aquecedor, juntamente com outros fatores externos, a descoloração de metal e outras superfícies pode ser causado em caso de proximidade ao aquecedor. Isto pode causar a descoloração de metal e superfícies de plástico.
- As variações de temperatura podem causar crepitações ou ruídos do aquecedor. Isto não é uma indicação de avaria.
- A garantia do aquecedor não cobre qualquer dano causado pelo incumprimento destas instruções.

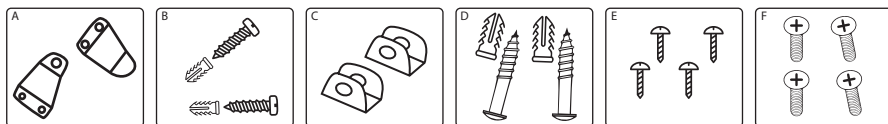
INSTALAÇÃO E MONTAGEM

- Este aquecedor pode ser instalado nos pés (fornecidos) ou numa parede (elementos de fixação incluídos).
- O aquecedor nunca deve ser instalado debaixo de uma tomada de parede de corrente.
- O aquecedor nunca deve ser instalado numa posição na qual os interruptores e outros acessos são acessíveis por alguém na banheira ou no duche.
- O aquecedor trabalha através da convecção de ar natural. Para conseguir um desempenho correto e uma distribuição uniforme do calor, quando for instalado numa parede, a parte inferior do aquecedor deve estar, no mínimo, a 20 cm do chão, no mínimo, a 20 cm dos lados, a 50 cm de uma prateleira superior e também, no mínimo, a 20 cm de qualquer parede ou objeto (mobiliário e cortinas, etc).



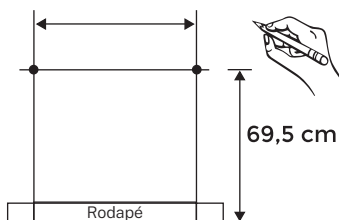
INSTALAÇÃO NA PAREDE

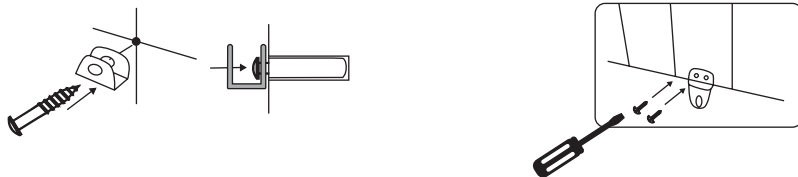
1. Escolha uma localização adequada na parede, que deve ser firme e nivelada. Verifique se existe alguma tomada de corrente na proximidade.
2. As distâncias podem variar dependendo do modelo do aquecedor.
3. Abra a caixa da embalagem e verifique se todos os acessórios de fixação estão presentes; pode ser uma boa ideia guardar a caixa do produto para armazenar fora da estação.



MONTAGEM

1. Respeitando as medidas de segurança indicadas anteriormente, faça duas marcações na parede em conformidade com a medida "e" indicada na Tabela 1 e a uma altura de 69,5 cm do chão (não a partir do rodapé).
2. Na área marcada, faça dois orifícios com 10 mm de diâmetro, com uma profundidade mínima de 60 mm.
3. Empurre as duas buchas (D) nos dois orifícios e fixe os dois ganchos (C) com os dois parafusos (D).





4. Aparafuse as duas estruturas de suporte (A) (ou uma estrutura de suporte, dependendo do modelo) na parte de trás do aquecedor com quatro parafusos (E) (ou dois parafusos, dependendo do modelo).

Nota: As duas estruturas (A) são aparafusadas nos orifícios localizados na parte traseira inferior do aquecedor, nas duas extremidades.

5. Pendure o aquecedor nos dois ganchos (C) na parede. Certifique-se de que o aquecedor fica corretamente preso nos dois ganchos.

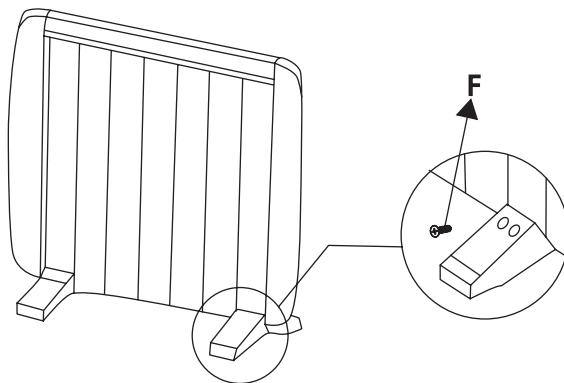
6. Quando o aquecedor for pendurado, faça duas marcações na parede nos locais onde as duas estruturas (A) serão fixadas, para garantir que o aquecedor é fixado à parede.

7. Retire o aquecedor e faça dois orifícios com 4 mm de diâmetro e uma profundidade mínima de 25 mm nas duas marcações na parede.

8. Insira as duas buchas e prenda com os dois parafusos (B) para fixar completamente o aquecedor à parede.

INSTALAR OS PÉS

1. Aparafuse os dois pés na parte traseira inferior do aquecedor com os quatro parafusos fornecidos (F): dois parafusos por pé.



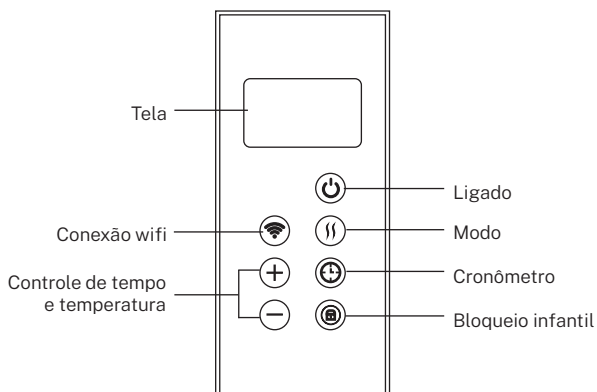
UTILIZAÇÃO DO ARTIGO

- Coloque o aquecedor numa superfície plana e estável.
- Ligue a uma fonte CA de 220-240 V, 50 Hz e, depois, vire o interruptor de lado e ouvirá o som “Di”.
- Ligue o aquecedor ao premir o botão de energia “⏻”; o LED irá apresentar a temperatura da divisão e, em seguida, utilize os controlos táteis ou comando à distância para configurar a potência, temperatura e tempo.
- Se o aparelho não for utilizado durante um período de tempo prolongado, desligue-o no botão de energia e retire a tomada da ficha.
- Aviso! Não cubra o produto! O convetor não deve ser colocado debaixo do duche nem numa piscina.

PAINEL DE CONTROLO

Ligue a ficha numa tomada elétrica adequada. Os botões do ecrã tátil localizado no produto correspondem às funções do comando à distância.

O display será desligado automaticamente após alguns minutos.



⏻ POTÊNCIA

Quando o produto estiver ligado, prima o botão de energia. A parte superior do ecrã apresenta a temperatura. O aquecedor está a funcionar em condições de aquecimento de potência baixa.

⏸ MODO

Grau baixo, alto grau.

⌚ TEMPERATURA

A temperatura pode ser definida entre 5 °C e 40 °C.

A temperatura interna é apresentada sempre que o aparelho é ligado. A temperatura pode ser definida quando o aparelho estiver em standby ou a aquecer. Quando a temperatura da divisão atingir o nível definido, a potência de alta temperatura vai parar e a potência de baixa temperatura permanece ativa. Quando a temperatura da divisão estiver dois graus acima da temperatura definida, as potências de alta e baixa temperatura irão parar. A máquina começará a operar novamente apenas quando a temperatura descer dois graus relativamente à temperatura definida.

⌚ TEMPORIZADOR

O temporizador pode ser configurado para ligar ou desligar o aparelho na altura desejada, com um intervalo de tempo entre 1 a 24 horas.

🔒 BLOQUEIO DE CRIANÇAS

Prima o botão de bloqueio de crianças durante 3 segundos para bloquear o aquecedor. Depois de premir novamente o botão de Bloqueio de crianças durante 3 segundos, o aquecedor será desbloqueado.

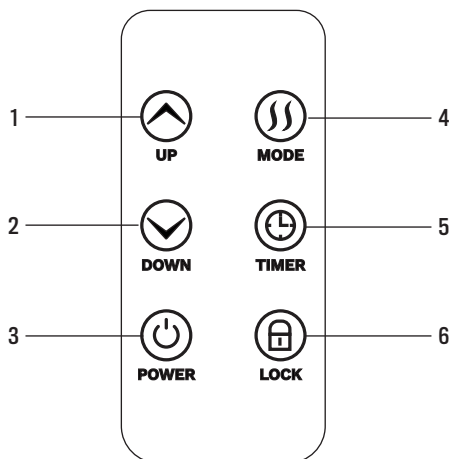
Você também pode pressionar o botão de modo no painel de controlo por 3 segundos para bloquear a tela ou desbloqueá-la.

FUNCIONAMENTO DO COMANDO À DISTÂNCIA

Ligue a ficha numa tomada elétrica adequada.

Os botões do ecrã tátil localizado no produto correspondem às funções do comando à distância.

1. Elevar temperatura / tempo
2. Menor temperatura / tempo
3. Botão de alimentação
4. Modo
5. Cronômetro
6. Bloqueio infantil



LIMPEZA

- Antes de limpar o artigo, espere que arrefeça e desligue da ficha.
- Não utilize produtos de limpeza abrasivos nem solventes. Limpe o produto com um pano húmido suave.
- O pó deve ser frequentemente removido da superfície.
- Não lave o artigo nem o coloque dentro de água!
- Se não utilizar o aparelho durante um período de tempo prolongado, limpe a superfície e coloque o artigo na caixa.
- Deve ser colocado numa divisão seca e ventilada. Evite elevados níveis de humidade e o impacto mecânico do artigo.

Aviso: nunca deixe o aquecedor a funcionar sozinho!

O importador reserva-se o direito de alterar a aparência e integridade do artigo sem avisar previamente o cliente.

Este artigo destina-se apenas a uma utilização doméstica.

Aviso! O fabricante não assumirá qualquer responsabilidade por danos causados diretamente ou indiretamente pelo incumprimento deste manual de instruções ou de regras de segurança geral ou pela interferência da construção do produto.

FUNÇÃO DE WI-FI

1. Utilize o seu telemóvel para digitalizar o código QR abaixo ou procure “CREATE Home” para descarregar e instalar a aplicação.



iPhone OS



Android OS

2. Selecione o código do seu país, introduza o seu número de telemóvel e toque em “Obter” para receber uma mensagem com um código de verificação.
3. Introduza o código de verificação da mensagem e toque em “Iniciar sessão” para iniciar sessão na aplicação.
4. Aceda à aplicação e toque em “adicionar dispositivo” na parte inferior.
5. Existem dois métodos de ligação da aplicação (modo hotspot e modo de ligação rápida). O modo de ligação rápida é a pré-definição. Os utilizadores podem tocar no canto superior direito para passar do modo de ligação para o modo de hotspot.
 - No modo de ligação rápida, certifique-se de que a luz de instrução do dispositivo está a piscar rapidamente.
 - No modo de hotspot, certifique-se de que a luz de instrução do dispositivo está a piscar lentamente.
 - Se a luz não estiver a piscar conforme descrito acima, prima o botão de reposição do dispositivo durante 5 segundos ou mais até piscar corretamente.
6. Selecione o Wi-Fi, introduza a palavra-passe e toque em “Seguinte”.
7. No modo de ligação rápida, a interface da aplicação realizará as alterações durante os processos de configuração de rede.
8. O dispositivo está ligado corretamente.
9. Depois do dispositivo ser ligado corretamente, toque em “Dispositivos” na parte inferior. O nome do dispositivo é apresentado na lista. Toque no mesmo para entrar no painel de controlo da tomada inteligente.

Notas:

- Quando o dispositivo estiver online, verá um ponto verde na parte da frente do ícone de dispositivos.
 - Quando o dispositivo estiver offline, o ponto será cinzento.
 - Se o dispositivo for partilhado por outras pessoas, haverá um laço duplo.
10. A secção “O meu perfil” é onde os utilizadores podem gerir as informações pessoais.
 - Informações pessoais: incluindo nome da conta e número de telemóvel.
 - Informação de dispositivos partilhados.
 - Centro de mensagens.
 - Entrada para enviar feedback.
 - Perguntas frequentes.
 - Associação de telemóvel: se iniciar sessão com a conta de uma rede social, pode associar o seu número de telemóvel à sua conta.
 - Sobre a funcionalidade Adicionar partilha: Conforme apresentado na imagem, os utilizadores podem introduzir um novo número de telemóvel e partilhar o dispositivo. O novo membro poderá controlar o dispositivo com a respetiva conta.

CARACTERÍSTICAS

Este produto só é adequado para espaços bem isolados ou para uso ocasional.

Saída de Calor	WARM SLIM 1500	Tipo de imputação de calor, apenas para aquecedores elétricos locais (selecione um)	WARM SLIM 1500	
Saída de calor nominal	1.5 KW	Controlo manual da carga térmica, com termóstato integrado.	NO	
Saída de calor mínima (indicativo)	1.5 KW	Controlo carga de calor manual, com espaço e/ para retroalimentação da temperatura exterior.	NO	
Saída máxima de calor contínuo	1.5 KW	Controlo electrónico de carga térmica, com espaço e/para retroalimentação da temperatura exterior.	NO	
Consumo de electricidade auxiliar		Saída de calor assistida por ventilador	NO	
Saída de calor nominal	N/A	Tipo de saída de calor / controlo de temperatura ambiente (Selecione uma).		
Saída de calor mínima	N/A	Saída de calor de um só estado e sem controlo de temperatura ambiente.	NO	
Em modo espera	0.00094 KW	Duas ou mais etapas manuais, sem controlo de temperatura ambiente.	NO	
		Com termóstato mecânico para controlo da temperatura ambiente.	NO	
		Com controlo electrónico da temperatura ambiente.	NO	
		Controlo electrónico da temperatura ambiente e temporizador diurno.	NO	
		Controlo electrónico da temperatura ambiente e temporizador da la semana.	SIM	
		Outras opções de controle (são possíveis seleções múltiplas).		
		Controle de temperatura ambiente, com detecção de presença.	NO	
Controlo da temperatura ambiente, com detecção de janela aberta.	SIM			
Com opção de controle remoto.	NO			
Com controlo de arranque adaptativo.	NO			
Com limitação do tempo de trabalho.	NO			
Com sensor de lâmpada negro.	NO			



Em conformidade com as diretrizes: 2012/19 / UE e 2015/863 / UE sobre a restrição do uso de substâncias perigosas em equipamentos elétricos e eletrônicos, bem como a eliminação de resíduos. O símbolo com o caixote do lixo cruzado mostrado na embalagem indica que o produto ao final de sua vida útil será coletado como lixo separado. Portanto, qualquer produto que tenha atingido o fim de sua vida útil deve ser entregue a centros especializados de eliminação de resíduos para coleta seletiva de equipamentos elétricos e eletrônicos, ou devolvido ao varejista ao comprar equipamentos novos similares, em um para uma base. A coleta seletiva apropriada para o comissionamento subsequente do equipamento enviado para reciclagem, tratamento e descarte de maneira ecológica ajuda a evitar possíveis efeitos negativos no meio ambiente e na saúde e otimiza a reciclagem e reutilização de os componentes que compõem o dispositivo. A eliminação abusiva do produto pelo usuário implica a aplicação de sanções administrativas de acordo com as leis.

Nous vous remercions d'avoir choisi notre radiateur. Avant d'utiliser l'appareil, lisez attentivement ces instructions pour vous assurer de l'utiliser correctement.

Les précautions de sécurité contenues dans le présent document réduisent le risque de mort, de blessure et d'électrocution, lorsqu'elles sont observées correctement. Rangez ce manuel, la carte de garantie dûment complétée, le reçu d'achat et l'emballage dans un endroit sûr pour toute référence future. Transmettez, le cas échéant, ces instructions au prochain propriétaire de cet appareil. Veillez à toujours respecter les consignes de sécurité élémentaires ainsi que les mesures visant à prévenir les accidents lorsque vous utilisez des appareils électroménagers. Nous n'assumons aucune responsabilité pour les clients qui ne se conforment pas à ces exigences.

INSTRUCTIONS DE SÉCURITÉ

Des précautions élémentaires de sécurité doivent toujours être observées lors de l'utilisation d'un appareil électrique.

- Débranchez la fiche de la prise de courant pour déconnecter le radiateur. Ne tirez pas sur le câble.
- Veillez à ce que le câble électrique ne soit pas en contact avec le radiateur quand celui-ci est allumé.
- Pendant l'utilisation, veillez à maintenir le radiateur éloigné de tous matériaux combustibles tels que les rideaux, les tapis, les meubles, etc.
- Ne couvrez pas le radiateur. N'utilisez pas le radiateur pour sécher des vêtements. Si le radiateur est couvert, il existe un risque sérieux de surchauffe.
- Danger : si le câble électrique est endommagé, il doit être remplacé par le fabricant, par son service après-vente ou par un personnel dûment qualifié afin d'éviter toute situation dangereuse.
- Si le radiateur est destiné à être installé dans une salle de bains, il doit être installé par un électricien qualifié.
- Le radiateur ne doit pas être placé sous ou devant une prise de courant.
- Lors de l'élimination du radiateur, toutes les exigences établies par la législation en vigueur en matière de traitement et recyclage des déchets doivent être respectées.
- L'installation doit être effectuée conformément à la législation électrique en vigueur.
- Ce radiateur doit disposer d'une mise à la terre.
- Le radiateur doit être installé de manière à ce que la fiche secteur soit toujours accessible.
- Ce radiateur ne peut pas être encastré dans un mur. Veillez à toujours respecter les distances de sécurité.
- Un système de verrouillage est prévu pour empêcher les enfants de jouer avec la programmation de l'appareil.
- Ce radiateur n'est pas conçu pour être manipulé par des enfants ou par des personnes atteintes d'un handicap physique, mental ou sensoriel et ayant peu d'expérience ou de connaissances, à moins qu'elles ne soient sous la

supervision d'une personne responsable de leur sécurité et en possession des instructions d'utilisation correspondantes. Les enfants doivent être surveillés pour s'assurer qu'ils ne jouent pas avec le radiateur.

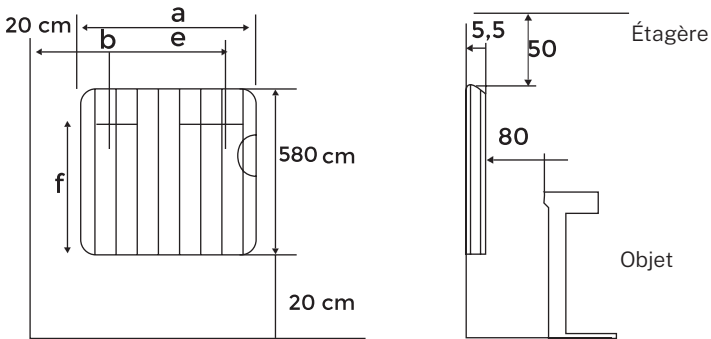
- Les enfants de moins de trois ans doivent être tenus éloignés du radiateur, à moins qu'ils ne fassent l'objet d'une surveillance permanente.
- Les enfants de moins de trois ans doivent être tenus à l'écart à moins qu'ils ne fassent l'objet d'une surveillance continue. Les enfants âgés de trois à huit ans ne doivent allumer/éteindre l'appareil que s'il a été placé ou installé dans sa position normale de fonctionnement prévue et si ces enfants sont surveillés ou instruits sur la manière d'utiliser l'appareil en toute sécurité et qu'ils en comprennent les dangers. Les enfants âgés de trois à huit ans ne doivent pas brancher, régler et nettoyer l'appareil ou réaliser des travaux d'entretien.
- Cet appareil peut être utilisé par des enfants âgés de huit ans et plus et par des personnes souffrant d'un handicap physique, sensoriel ou mental ou n'ayant pas d'expérience ou de connaissances, à condition qu'ils aient été dûment formés et soient supervisés par une personne qui comprend les dangers. Les tâches de nettoyage et d'entretien à effectuer par l'utilisateur ne doivent pas être réalisées par des enfants. Les enfants ne doivent pas jouer avec l'appareil.

Précaution : certaines parties de ce radiateur peuvent devenir très chaudes pendant le fonctionnement et causer des brûlures. Une attention particulière doit être portée à la présence d'enfants et d'autres personnes vulnérables.

- Attention : veillez à maintenir les sachets et autres accessoires hors de la portée des enfants.
- Ne touchez pas l'extérieur de l'appareil de chauffage pendant son utilisation.
- Il est tout à fait normal de remarquer une nouvelle odeur lorsque le radiateur est mis en marche pour la première fois. Veillez à utiliser votre radiateur dans un endroit bien ventilé pendant deux ou trois heures.
- Avant chaque saison froide, ou si le radiateur a été éteint pendant plusieurs jours/mois, il faut procéder au nettoyage du radiateur avant de le rallumer (suivre les étapes du chapitre 10 « maintenance »). Ce nettoyage empêchera la combustion de la poussière accumulée et d'autres résidus.
- Ce radiateur ne peut pas être utilisé avec des unités programmables externes ou avec tout autre dispositif de commande d'une tierce partie.
- En raison de l'effet de convection de ce radiateur, ainsi que d'autres facteurs externes, les surfaces métalliques et autres situées à proximité du radiateur pourraient être sujettes à décoloration. Cet effet de convection peut entraîner une décoloration des surfaces métalliques et plastiques.
- Les variations de température peuvent provoquer des craquements ou des bruits du radiateur. Ce ne sont pas des signes indicateurs d'une défaillance.
- La garantie du radiateur ne couvre pas les dommages causés par le non-respect de ces instructions.

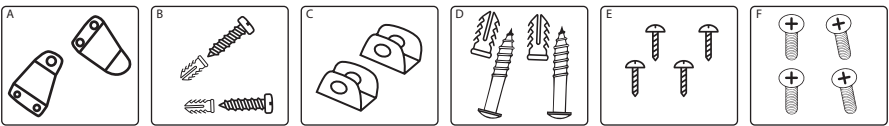
INSTALLATION ET MONTAGE

- Ce radiateur peut être installé sur des pieds (fournis) ou peut être fixé au mur (éléments de fixation fournis).
- Le radiateur ne doit en aucun cas être installé sous une prise de courant murale.
- Le radiateur ne doit en aucun cas être installé dans une position où les interrupteurs et autres commandes sont accessibles à une personne se trouvant dans la baignoire ou dans la douche.
- Le radiateur fonctionne par convection naturelle de l'air. Afin d'obtenir des performances correctes et une distribution uniforme de la chaleur, en cas d'installation murale du radiateur, la partie inférieure du radiateur doit être située à 20 cm du sol au moins, avec un espace libre de 20 cm au moins sur les côtés, à 50 cm d'une étagère supérieure et également à 20 cm au moins de tout autre mur ou objet (meubles, rideaux, etc.).



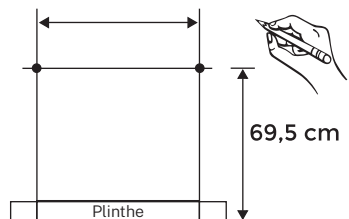
INSTALLATION MURALE

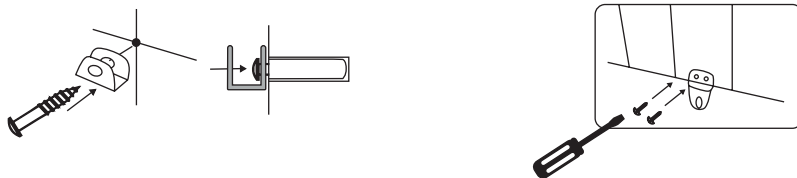
1. Choisir un emplacement approprié sur le mur. Cet emplacement doit être ferme et à niveau. Vérifier qu'il y a une prise de courant à proximité.
2. Les distances varient en fonction du modèle de radiateur.
3. Ouvrir la boîte d'emballage et vérifier que tous les accessoires de fixation sont présents. Nous recommandons de garder la boîte d'emballage pour entreposer le radiateur hors saison.



ASSEMBLAGE

1. Tout en veillant à respecter les mesures de sécurité indiquées précédemment, faire deux marques sur le mur selon la mesure « e » indiquée dans le Tableau 1 et à une hauteur de 695 mm du sol (et non pas de la plinthe).
2. Percer deux trous de 10 mm de diamètre au niveau des marques, avec une profondeur minimale de 60 mm.
3. Introduire deux chevilles (D) dans les deux trous et fixer les deux crochets (C) avec les deux vis (D).





4. Visser les deux supports (A) (ou un seul support, suivant le modèle) à l'arrière de l'appareil avec les quatre vis (E) (ou deux vis, selon le modèle).

Remarque : les deux supports (A) sont vissés aux trous situés sur la partie inférieure du radiateur, aux deux extrémités.

5. Accrocher le radiateur aux deux crochets muraux (C). S'assurer que le radiateur est fixé correctement sur les deux crochets.

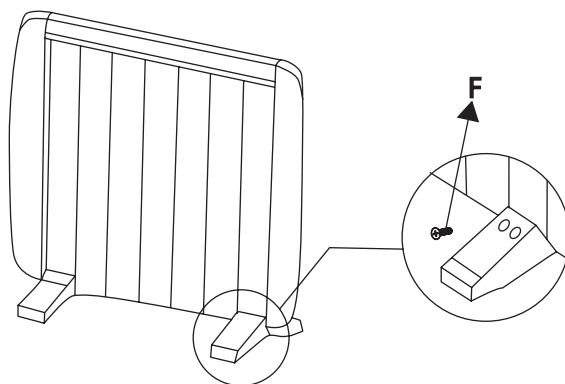
6. Lorsque le radiateur est accroché à sa place, faire deux marques sur le mur à l'endroit où les deux supports (A) seront fixés pour s'assurer que le radiateur est fixé au mur.

7. Retirer le radiateur et percer deux trous de 4 mm de diamètre avec une profondeur minimale de 25 mm au niveau des deux marques sur le mur.

8. Insérer les deux chevilles et achever la fixation avec les deux vis (B) pour fixer complètement l'appareil au mur.

INSTALLATION DES PIEDS

1. Visser les deux pieds sur la partie arrière inférieure du radiateur avec les quatre vis fournies (F) : deux vis par pied.



UTILISATION DE L'APPAREIL


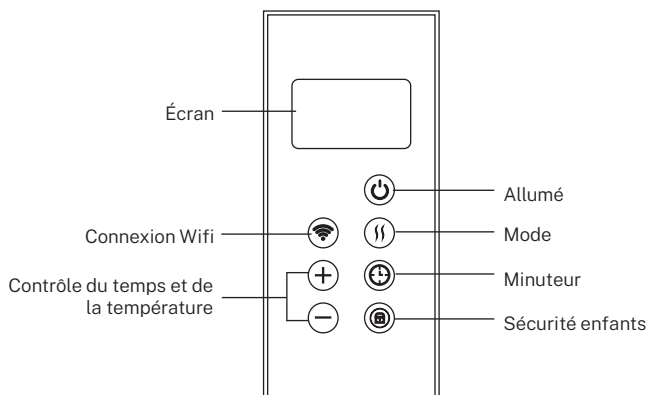
- Placer le radiateur sur une surface plane et stable.
- Connecter à une source CA 220-240 V, 50 Hz, puis faire pivoter l'interrupteur sur le côté. Vous entendrez le son « Di ».
- Allumer le radiateur en appuyant sur le bouton d'alimentation «  ». Le voyant LED affichera la température ambiante. Utiliser ensuite les commandes tactiles ou la télécommande pour régler la puissance, la température et la durée de fonctionnement.
- Si l'appareil n'est pas utilisé pendant une période prolongée, il faut l'éteindre en utilisant l'interrupteur et le débrancher.
- Avertissement ! Ne couvrez pas l'appareil ! Le convecteur ne doit pas être placé sous la douche ou dans une piscine.

TABLEAU DE COMMANDE

Insérer la fiche dans une prise de courant appropriée. Les touches de l'écran tactile sur l'appareil correspondent aux fonctions de la télécommande.

L'affichage s'éteindra automatiquement après quelques minutes.



🔌 PUISSANCE

Lorsque l'appareil est sous tension, appuyer sur le bouton d'alimentation. La partie supérieure de l'affichage indique la température. Le radiateur fonctionne dans des conditions de chauffage de faible puissance.

🔌 MODE

Bas grade, haut grade.

TEMPÉRATURE

La température peut être réglée entre 5 °C et 40 °C.

La température intérieure est affichée à chaque démarrage de l'appareil. La température peut être réglée lorsque l'appareil est en mode veille ou en mode chauffage. Lorsque la température ambiante atteint le niveau programmé, le réglage de puissance haute température s'arrête et le réglage de puissance basse température reste actif. Lorsque la température ambiante dépasse la température programmée de deux degrés, les deux réglages de puissance haute et basse température cessent de fonctionner. L'appareil ne recommencera à fonctionner que lorsque la température sera inférieure de deux degrés à la température programmée.

🕒 MINUTERIE

Le bouton de la minuterie peut être utilisé pour démarrer ou arrêter l'appareil à l'heure souhaitée, avec un intervalle de temps allant de 1 à 24 heures.

🔒 VERROUILLAGE ENFANT

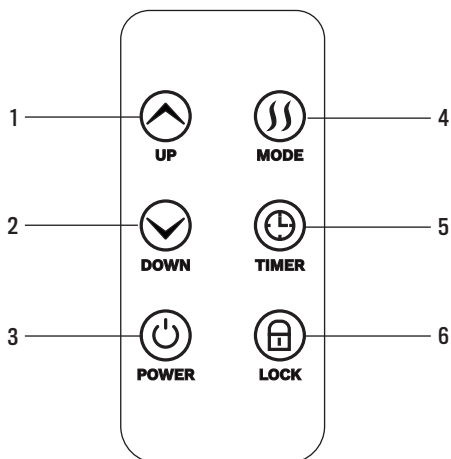
Appuyer sur la touche de verrouillage enfant pendant trois secondes pour verrouiller le radiateur. Une nouvelle pression de la touche de verrouillage enfant pendant trois secondes a pour effet de déverrouiller le radiateur. Vous pouvez également appuyer sur le bouton de mode sur le panneau de commande pendant 3 secondes pour verrouiller l'écran ou le déverrouiller.

FONCTIONNEMENT DE LA TÉLÉCOMMANDE

Insérer la fiche dans une prise de courant appropriée.

Les touches de l'écran tactile sur l'appareil correspondent aux fonctions de la télécommande.

1. Augmenter la température / le temps
2. Température / temps plus bas
3. Bouton d'allumage
4. Mode
5. Minuteur
6. Sécurité enfants



NETTOYAGE

- Avant de nettoyer l'appareil, il faut le laisser refroidir et le débrancher.
- Ne pas utiliser de produits abrasifs ni de solvants. Essuyer le radiateur à l'aide d'un chiffon doux humide.
- La poussière doit être régulièrement éliminée de la surface de l'appareil.
- Ne pas laver l'appareil et ne pas le plonger dans l'eau !
- Si vous prévoyez de ne pas utiliser le radiateur pendant une période de temps prolongée, essuyez la surface et placez l'appareil dans la boîte.
- Il doit être entreposé dans un endroit sec et ventilé. Veiller à éviter des taux d'humidité élevés et tout impact mécanique sur l'appareil.

Avertissement : ne jamais laisser l'appareil sans surveillance !

L'importateur se réserve le droit de modifier l'aspect et la composition de l'appareil sans en informer préalablement le client.

Cet appareil est destiné à un usage domestique uniquement.

Avertissement ! Le fabricant décline toute responsabilité pour les dommages causés directement ou indirectement par le non-respect du présent manuel d'utilisation ou des consignes générales de sécurité, ou par toute interférence avec la structure de l'appareil.

1. Utilisez votre téléphone pour scanner le code QR ci-dessous ou recherchez « CREATE Home » pour télécharger et installer l'application.



iPhone OS



Android OS

2. Sélectionnez votre code de pays, saisissez votre numéro de téléphone portable et appuyez sur « Get » pour recevoir un message contenant un code de vérification.
3. Saisissez le code de vérification figurant dans le message et appuyez sur « Login » pour vous connecter à l'application.
4. Accédez à l'application, appuyez sur « add device » (ajouter un dispositif) dans le bas.
5. Il existe deux méthodes de connexion pour l'application (mode hotspot et mode de connexion rapide). Le mode de connexion rapide est le mode par défaut. Les utilisateurs peuvent appuyer sur le coin supérieur droit pour passer au mode de connexion hotspot.
 - Pour le mode de connexion rapide, veuillez vous assurer que le voyant de l'instructeur du dispositif clignote rapidement.
 - Pour le mode hotspot, veuillez vous assurer que le voyant de l'instructeur du dispositif clignote lentement.
 - Si le voyant ne clignote pas comme décrit ci-dessus, appuyez sur le bouton de réinitialisation du dispositif pendant cinq secondes ou plus longtemps jusqu'à ce que le voyant clignote correctement.
6. Sélectionnez la connexion Wi-Fi, saisissez le mot de passe et appuyez sur « Next » (Suivant).
7. Pour le mode de connexion rapide, l'interface de l'application effectuera les modifications opportunes au cours des processus de configuration du réseau.
8. Le dispositif est maintenant connecté.
9. Une fois que le dispositif s'est connecté correctement, appuyez sur « Devices » (Dispositifs) dans la partie inférieure. Le nom du dispositif apparaît dans la liste. Appuyez sur son nom pour accéder au panneau de commande de la prise intelligente.

Remarques :

- Lorsque le dispositif est en ligne, un point vert apparaît sur la partie frontale de l'icône du dispositif.
 - Lorsque le dispositif est hors ligne, le point apparaît en gris.
 - Si le dispositif est partagé avec d'autres utilisateurs, vous verrez apparaître une boucle double.
10. « Mon profil » est la rubrique où les utilisateurs peuvent gérer leurs informations personnelles.
 - Informations personnelles : y compris le nom du compte et le numéro de téléphone portable.
 - Informations sur les dispositifs partagés.
 - Centre de messages.
 - Accéder pour envoyer vos commentaires.
 - F.A.Q.
 - Mise en lien du téléphone : si vous vous connectez à un compte de réseau social, vous pouvez associer votre numéro de téléphone à votre compte.
 - À propos de la fonctionnalité d'ajout de partage : Comme indiqué dans l'illustration, les utilisateurs peuvent saisir le numéro de téléphone portable d'un nouveau membre et partager le dispositif avec ce nouveau membre. Le nouveau membre peut alors contrôler le dispositif depuis son propre compte.

CARACTÉRISTIQUES

Ce produit ne convient qu'aux espaces bien isolés ou à un usage occasionnel.

Production de chaleur	WARM SLIM 1500	Type d'imputation thermique, uniquement pour les radiateurs électriques locaux (en choisir un)	WARM SLIM 1500	
Puissance thermique nominale	1.5 KW	Contrôle manuel de la charge thermique, avec thermostat intégré.	NO	
Puissance thermique minimale (indicative)	1.5 KW	Régulation manuelle de la charge thermique, avec retour de température ambiante et/ou extérieure.	NO	
Puissance thermique continue maximale	1.5 KW	Régulation électronique de la charge thermique avec retour de l'espace et / ou de la température extérieure.	NO	
Consommation électrique auxiliaire		Puissance thermique fournie par le ventilateur.	NO	
Puissance thermique nominale	N/A	Puissance thermique à l'état unique sans régulation de la température ambiante.		
Puissance thermique minimale	N/A	Deux étapes manuelles ou plus, sans contrôle de la température ambiante.	NO	
En mode veille	0.00094 KW	Avec thermostat mécanique pour la régulation de la température ambiante.	NO	
		Avec régulation électronique de la température ambiante.	NO	
		Régulation électronique de la température ambiante et de la minuterie.	NO	
		Régulation électronique de la température ambiante plus minuterie hebdomadaire.	NO	
		Contrôle électronique de la température ambiante plus minuterie de la semaine.	OUI	
		Autres options de contrôle (plusieurs sélections possibles)		
		Contrôle de la température ambiante, avec détecteur de présence.	NO	
		Contrôle de la température ambiante, avec détection de fenêtre ouverte.	OUI	
		Avec option de télécommande.	NO	
		Avec une commande de mise en marche adaptable.	NO	
Avec limitation du temps de travail.	NO			
Avec capteur d'ampoule noir.	NO			



Conformément aux directives: 2012/19 / UE et 2015/863 / UE sur la limitation de l'utilisation de substances dangereuses dans les équipements électriques et électroniques, ainsi que leur élimination des déchets. Le symbole avec la poubelle croisée indiqué sur l'emballage indique que le produit à la fin de sa durée de vie sera collecté en tant que déchet séparé. Par conséquent, tout produit ayant atteint la fin de sa durée de vie doit être livré dans des centres d'élimination des déchets spécialisés pour la collecte sélective des déchets d'équipements électriques et électroniques, ou retourné au détaillant lors de l'achat de nouveaux équipements similaires, en un seul pour une base. Une collecte séparée appropriée pour la mise en service ultérieure des équipements expédiés pour être recyclés, traités et éliminés d'une manière respectueuse de l'environnement aide à prévenir les effets négatifs potentiels sur l'environnement et la santé et optimise le recyclage et la réutilisation des les composants qui composent l'appareil. L'élimination abusive du produit par l'utilisateur implique l'application de sanctions administratives conformément aux lois.

Grazie per aver scelto il nostro riscaldatore. Prima di usare l'apparecchio, leggere attentamente le istruzioni al fine di garantirne l'uso corretto.

Rispettando le misure di sicurezza riportate si riduce il rischio di morte, lesioni e scosse elettriche. Conservare il manuale in un posto sicuro per future consultazioni, insieme alla scheda di garanzia compilata, la prova di acquisto e l'imballaggio. Se necessario, consegnare le presenti istruzioni al prossimo proprietario dell'apparecchio. Quando si utilizza un elettrodomestico seguire sempre le misure di sicurezza di base, nonché quelle di prevenzione degli infortuni. Decliniamo ogni responsabilità per i clienti che non rispettano questi requisiti.

ISTRUZIONI DI SICUREZZA

Quando si utilizza un elettrodomestico, osservare sempre le misure di sicurezza di base.

- Estrarre la spina dalla presa di alimentazione per scollegare il riscaldatore. Non tirare il cavo.
- Non lasciare il cavo di alimentazione a contatto con il riscaldatore quando esso è acceso.
- Durante il suo funzionamento, tenere il riscaldatore lontano da materiali infiammabili, come tende, tappeti, mobili, ecc.
- Non coprire il riscaldatore. Non usare il riscaldatore per asciugare i vestiti. Se il riscaldatore è coperto, c'è il serio rischio di surriscaldamento.
- Pericolo: se il cavo di alimentazione è danneggiato, dovrà essere sostituito dal fabbricante, dal servizio postvendita o da personale altamente qualificato per prevenire eventuali situazioni pericolose.
- Se collocato in una sala da bagno, il riscaldatore dovrà essere installato da un elettricista qualificato.
- Il riscaldatore non dovrà trovarsi sotto o di fronte alla presa di alimentazione.
- Per lo smaltimento del riscaldatore è d'obbligo seguire tutti i requisiti stabiliti dalla legislazione vigente per la trasformazione e il riciclaggio dei rifiuti.
- L'installazione deve essere eseguita nel rispetto della legislazione del settore elettrico in vigore.
- Il riscaldatore deve essere dotato di messa a terra.
- Il riscaldatore deve essere installato in modo che la spina di alimentazione sia sempre accessibile.
- Il riscaldatore non può essere incassato nel muro. Rispettare sempre le distanze di sicurezza.
- È previsto un sistema di blocco per evitare che i bambini giochino con i comandi del riscaldatore.
- Il riscaldatore non è stato progettato per essere maneggiato da bambini o persone con disabilità fisiche, mentali o sensoriali e con una scarsa esperienza o conoscenza, se non sotto la supervisione di una persona

responsabile per la loro sicurezza e in possesso delle relative istruzioni per l'uso. I bambini devono essere supervisionati per evitare che giochino con il riscaldatore.

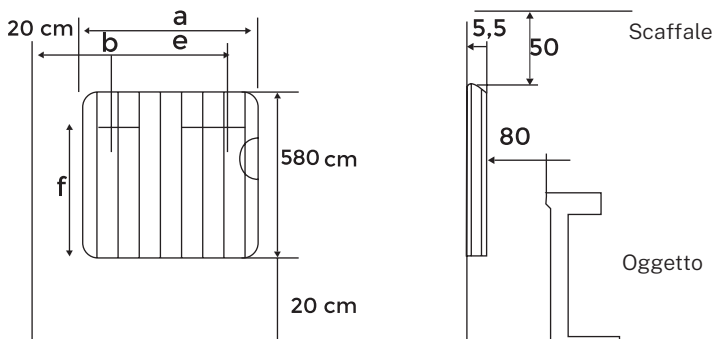
- I bambini di età inferiore a tre anni devono essere tenuti lontano dal riscaldatore, a meno che non siano controllati costantemente.
- I bambini di età inferiore a tre anni devono essere tenuti lontano, a meno che non siano controllati continuamente. I bambini di età compresa tra tre e otto anni potranno solo accendere o spegnere l'apparecchio, se esso è stato installato nella sua posizione normale di funzionamento, supervisionati od opportunamente istruiti sull'uso sicuro dell'apparecchio comprendendone i relativi rischi. I bambini di età compresa tra tre e otto anni non possono inserire la spina, regolare e pulire l'apparecchio o eseguire operazioni di manutenzione.
- Questo apparecchio può essere adoperato da bambini a partire dagli otto anni e da persone con disabilità fisiche, sensoriali o mentali o prive di esperienza o conoscenza, a condizione che siano stati opportunamente istruiti e siano supervisionati da qualcuno che ne comprende i rischi. La pulizia e la manutenzione devono essere eseguite dall'utente ma non da bambini. I bambini non devono giocare con l'apparecchio.
- Avvertenza: alcune parti del riscaldatore possono riscaldarsi notevolmente durante il funzionamento e causare scottature. È necessario prestare particolare attenzione in presenza di bambini e persone vulnerabili.

Attenzione: mantenere borse e altri accessori ben lontani dalla portata dei bambini.

- Non toccare l'esterno del riscaldatore quando è in funzione.
- È abbastanza normale notare un odore di nuovo quando il riscaldatore viene acceso per la prima volta. Provvedere a far funzionare il riscaldatore in una zona ben ventilata per due o tre ore.
- All'inizio di ogni stagione fredda, o se il riscaldatore è stato spento per diversi giorni/mesi, dovrà essere pulito prima di essere acceso nuovamente (seguire i passi indicati nella sezione 10 "manutenzione"). Questa pulizia eviterà che la polvere accumulata e altri residui si brucino.
- Il riscaldatore non può essere avviato mediante unità esterne programmabili o qualunque altro dispositivo di controllo terzo.
- A causa dell'effetto convettivo del riscaldatore, unito ad altri fattori esterni, in prossimità dell'apparecchio il metallo o altre superfici potrebbero subire scolorimenti. L'apparecchio può causare scolorimenti in superfici di metallo o plastica.
- Le variazioni di temperatura possono causare scoppiettii o rumorosità del termoconvettore. Ciò non indica un malfunzionamento.
- La garanzia del riscaldatore non copre nessun danno causato dall'inservanza di queste istruzioni.

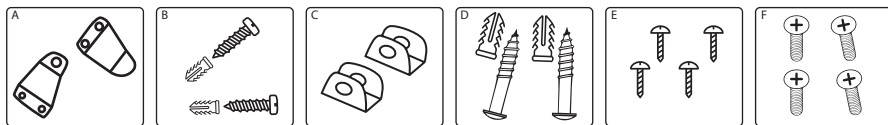
INSTALLAZIONE E MONTAGGIO

- Questo riscaldatore può essere installato su piedini (in dotazione) o sul muro (accessori di fissaggio in dotazione).
- Il riscaldatore non deve mai essere installato sotto una presa di corrente.
- Il riscaldatore non deve mai essere installato in una posizione dove interruttori e altri comandi possano essere raggiunti da qualcuno nella vasca da bagno o nella doccia.
- Il riscaldatore funziona a convezione naturale di aria. Per una corretta prestazione e una distribuzione uniforme del calore, se il riscaldatore viene installato sul muro, la parte inferiore deve trovarsi ad almeno 20 centimetri dal pavimento, 20 centimetri dai lati, 50 centimetri da un ripiano più alto ed inoltre ad un minimo di 20 centimetri da qualsiasi altro muro od oggetto (arredamento, tende, ecc.).



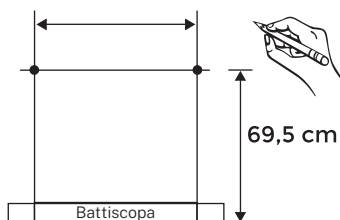
INSTALLAZIONE A MURO

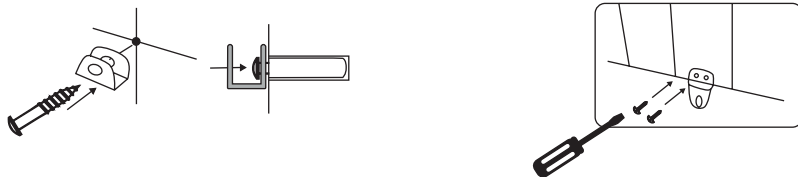
1. Scegliere una posizione adeguata su una parete stabile e piana. Controllare che ci sia una presa di corrente nelle vicinanze.
2. Le distanze variano a seconda del modello di riscaldatore.
3. Aprire la scatola dell'imballaggio e assicurarsi che siano presenti tutti gli accessori di fissaggio; sarebbe meglio conservare la scatola del prodotto per metterlo via fuori stagione.



MONTAGGIO

1. Una volta rispettate tutte le misure di sicurezza precedentemente indicate, eseguire due segni sul muro secondo le misure "e" indicate nella Tabella 1 e ad un'altezza di 695 mm dal pavimento (non dal battiscopa).
2. Eseguire sull'area segnata due fori del diametro di 10 mm e una profondità minima di 60 mm.
3. Inserire i due tasselli (D) nei due fori e serrare i due ganci (C) con le due viti (D).

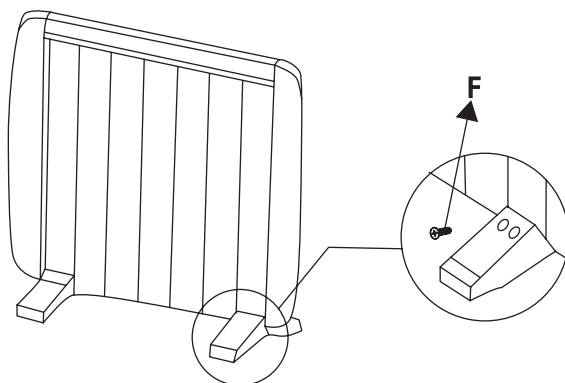




4. Avvitare le due staffe di supporto (A) (o una staffa di supporto, a seconda del modello) alla parte posteriore del riscaldatore con le quattro viti (E) (o due viti, a seconda del modello).
Nota: Le due staffe (A) sono avvitate ai fori situati nella parte bassa posteriore del riscaldatore, ad entrambe le estremità.
5. Appendere il riscaldatore ai due ganci (C) sul muro. Assicurarsi che il riscaldatore sia correttamente fissato ad entrambi i ganci.
6. Quando il riscaldatore è appeso al suo posto, eseguire due segni sulla parete dove le due staffe (A) saranno fissate per garantire che esso sia ben saldo al muro.
7. Rimuovere il riscaldatore ed eseguire due fori del diametro di 4 mm e una profondità minima di 25 mm nei due segni sulla parete.
8. Inserire i due tasselli e avvitarli con le due viti (B) per fissare completamente il riscaldatore al muro.

INSTALLAZIONE DEI PIEDINI

1. Avvitare i due piedini alla parte bassa posteriore del riscaldatore con le quattro viti in dotazione (F): due viti per ogni piedino.



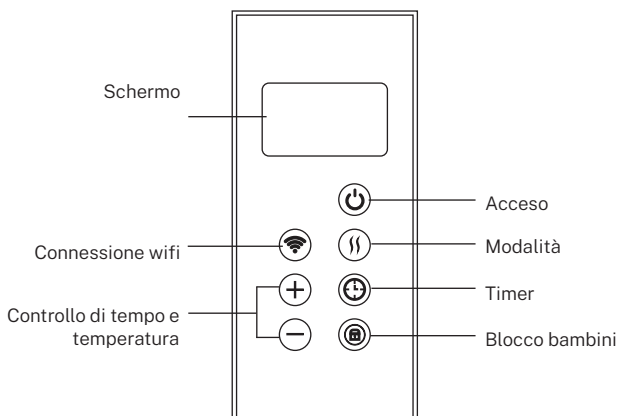
UTILIZZO DELL'ARTICOLO

- Posizionare il riscaldatore su una superficie piana e stabile.
- Inserire la spina in una qualsiasi presa da 220-240 V, 50 Hz, CA, poi accendere l'interruttore laterale; si sentirà il suono "Di".
- Accendere l'apparecchio premendo il pulsante di alimentazione "⏻" - il LED mostrerà sul display la temperatura della stanza -poi usare i comandi tattili o il telecomando per impostare la potenza, la temperatura ed il tempo.
- Se l'apparecchio non viene utilizzato per lungo tempo, spegnerlo mediante l'interruttore di alimentazione e staccare la spina.
- Attenzione! Non coprire l'apparecchio! Il convettore non deve essere posizionato sotto la doccia o in una piscina.

PANNELLO DI CONTROLLO

Inserire la spina in una idonea presa di corrente. I pulsanti dello schermo tattile situati sul prodotto corrispondono alle funzioni del telecomando.

Il display si spegnerà automaticamente dopo pochi minuti.



🔌 POTENZA

Quando il prodotto è acceso, premere "potenza". La parte superiore del display mostra la temperatura. Il riscaldatore sta funzionando alle condizioni di potenza minima.

🔌 MODALITÀ

Basso grado, alto grado.

TEMPERATURA

La temperatura può essere impostata tra 5 °C e 40 °C.

La temperatura interna viene mostrata ogni volta che il dispositivo viene avviato. La temperatura può essere impostata quando l'apparecchio è in stand by o sta riscaldando. Quando la temperatura della stanza raggiunge il livello impostato, la potenza ad alta temperatura si ferma mentre la potenza a bassa temperatura rimane attiva. Quando la temperatura della stanza supera di due gradi la temperatura impostata, sia l'alta sia la bassa temperatura smettono di funzionare. L'apparecchio riprenderà a funzionare nuovamente solo quando la temperatura scenderà di due gradi rispetto a quella impostata.

🕒 TIMER

Il pulsante del timer può essere impostato per far partire o interrompere l'apparecchio all'ora desiderata, con un intervallo di tempo tra 1 e 24 ore.

🔒 BLOCCO BAMBINI

Premere il pulsante Blocco bambini per tre secondi per bloccare il riscaldatore. Dopo aver premuto nuovamente il pulsante Blocco bambini per tre secondi, il riscaldatore viene sbloccato.

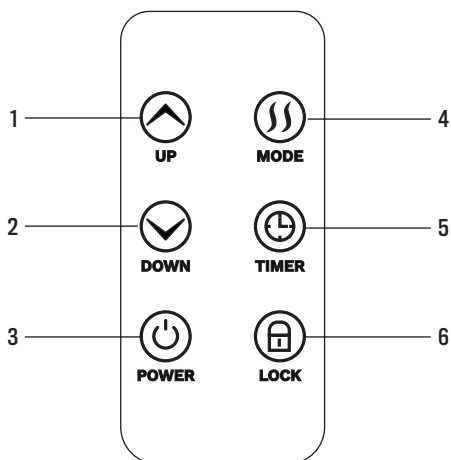
È inoltre possibile premere il pulsante modalità sul pannello di controllo per 3 secondi per bloccare lo schermo o sbloccarlo.

OPERAZIONI PER IL TELECOMANDO

Inserire la spina in una idonea presa di corrente.

I pulsanti dello schermo tattile situati sul prodotto corrispondono alle funzioni del telecomando.

1. Aumentare la temperatura / il tempo
2. Bassa temperatura / tempo
3. Tasto di accensione
4. Modalità
5. Timer
6. Blocco bambini



PULIZIA

- Prima di pulire l'apparecchio attendere che si sia raffreddato e staccare la spina.
- Non usare abrasivi né solventi. Pulire il prodotto con un panno umido e morbido.
- La polvere deve essere regolarmente rimossa dalla superficie.
- Non lavare il prodotto o metterlo in acqua!
- Se il riscaldatore non si usa per molto tempo, pulire la superficie e riporlo nella scatola.
- Conservarlo in un luogo secco e ventilato. Evitare forte umidità e urti meccanici sull'apparecchio.

Attenzione: non lasciare mai il riscaldatore incustodito!

L'importatore si riserva il diritto di cambiare l'aspetto e l'integrità dell'articolo senza preavvisare il cliente.

L'articolo è solo per uso domestico.

Attenzione! Il fabbricante non si assume alcuna responsabilità per eventuali danni causati direttamente o indirettamente dal mancato rispetto del manuale di istruzioni o delle norme generali di sicurezza, o dall'aver interferito con la costruzione del prodotto.

1. Usare il proprio telefono per scannerizzare il codice QR sotto riportato e installare l'app.



iPhone OS



Android OS

2. Selezionare il prefisso del proprio paese, digitare il proprio numero di telefono e premere “Ottieni” per ricevere un messaggio con il codice di verifica.
3. Inserire il codice di verifica contenuto nel messaggio e premere “entra” per accedere all'app.
4. Aprire l'app e premere “aggiungi dispositivo” nella parte inferiore.
5. Vi sono due modi per connettersi all'app (modalità hotspot e modalità connessione rapida). La modalità connessione rapida è quella predefinita. Gli utenti possono premere l'angolo superiore destro per cambiare il metodo di connessione alla modalità hotspot.
 - Per la modalità connessione rapida, assicurarsi che l'indicatore luminoso del dispositivo stia lampeggiando velocemente.
 - Per la modalità hotspot, assicurarsi che l'indicatore luminoso del dispositivo stia lampeggiando lentamente.
 - Se la luce non lampeggia come descritto sopra, premere il pulsante reset del dispositivo **°C** per cinque secondi o più fino a che non inizia a lampeggiare correttamente.
6. Selezionare il Wi-Fi, inserire la password e premere “Successivo”.
7. Per una modalità veloce di connessione, l'interfaccia dell'app attuerà le modifiche durante i processi di configurazione di rete.
8. Il dispositivo è ora connesso correttamente.
9. A connessione effettuata, premere “Dispositivi” nella parte inferiore. Il nome del dispositivo è mostrato nella lista. Premerlo per entrare nel pannello di controllo della presa smart.

Note:

 - Quando il dispositivo è online, comparirà un punto verde davanti all'icona del dispositivo.
 - Quando il dispositivo è offline, il punto sarà grigio.
 - Se il dispositivo viene condiviso con altri, vi sarà un doppio loop.
10. “Il mio profilo” è dove gli utenti possono gestire le informazioni personali.
 - Informazioni personali: comprendono il nome dell'account e il numero di telefono.
 - Informazioni sui dispositivi condivisi.
 - Centro messaggi.
 - Accedere per inoltrare commenti.
 - Domande frequenti.
 - Vincolo con il telefono: se ci si registra tramite un account di un social network, è possibile vincolare il proprio numero di telefono al proprio account.
 - Aggiungi condivisione: Come mostrato nell'immagine, gli utenti possono inserire il numero di cellulare di un nuovo membro e condividere il dispositivo con lui. Il nuovo membro può controllare il dispositivo con il proprio account.

CARATTERISTICHE

Questo prodotto è adatto solo per spazi isolati o per uso occasionale.

Uscita del Calore	WARM SLIM 1500	Tipo d'ingresso del calore, solo per stufe elettriche locali (seleziona una)	WARM SLIM 1500	
Uscita del calore normale	1.5 KW	Controllo manuale della carica termica, con termostato integrato.	NO	
Uscita del calore minima (indicativa)	1.5 KW	Controllo della carica termica manuale, con spazio e retroalimentazione della temperatura esterna.	NO	
Massima uscita del calore	1.5 KW	Controllo elettrico della carica termica con spazio e retroalimentazione della temperatura esterna.	NO	
Consumo elettricità ausiliare		Uscita del calore assistita dal ventilatore.	NO	
Uscita del calore normale	N/A	Tipo di uscita del calore / controllo della temperatura ambiente (Seleziona uno).		
Uscita del calore minima	N/A	Uscita del calore di un solo stato e senza controllo della temperatura ambiente.	NO	
En modo de espera Stand-by	0.00094 KW	Due o più stadi manuali, senza controllo della temperatura ambiente.	NO	
		Due o più funzioni manuali, senza controllo della temperatura ambiente.	NO	
		Con termostato meccanico del controllo della temperatura ambiente.	NO	
		Con controllo elettrico della temperatura ambiente.	NO	
		Controllo elettrico della temperatura ambiente e timer giornaliero.	SI	
		Oltre opzioni di controllo (possibili selezioni multipli).		
		Controllo della temperatura ambiente, con sensore che avverte la presenza.	NO	
		Controllo della temperatura ambiente, con sensore che avverte la finestra aperta.	SI	
		Con opzione di controllo a distanza.	NO	
		Con controllo di avvio opzionale.	NO	
Con limitazione del tempo di funzionamento.	NO			
Con sensore di lampada nero.	NO			



In conformità con le direttive: 2012/19 / UE e 2015/863 / UE sulla restrizione dell'uso di sostanze pericolose nelle apparecchiature elettriche ed elettroniche, nonché sul loro smaltimento dei rifiuti. Il simbolo con la pattumiera incrociata mostrato sulla confezione indica che il prodotto al termine della sua vita utile verrà raccolto come rifiuto separato. Pertanto, qualsiasi prodotto che ha raggiunto la fine della sua vita utile deve essere consegnato a centri specializzati di smaltimento dei rifiuti per la raccolta selettiva di rifiuti di apparecchiature elettriche ed elettroniche o restituito al rivenditore al momento dell'acquisto di nuove apparecchiature simili, in un'unica per una base. Una corretta raccolta separata per la successiva messa in servizio di apparecchiature spedite per essere riciclate, trattate e smaltite in modo ecologico aiuta a prevenire potenziali effetti negativi sull'ambiente e sulla salute e ottimizza il riciclaggio e il riutilizzo di i componenti che compongono il dispositivo. L'eliminazione abusiva del prodotto da parte dell'utente implica l'applicazione di sanzioni amministrative in conformità con le leggi.

Vielen Dank, dass Sie sich für unser Heizgerät entschieden haben. Bevor Sie das Gerät verwenden, lesen Sie bitte diese Anleitung aufmerksam durch, um die korrekte Benutzung zu gewährleisten.

Die hierin enthaltenen Sicherheitsvorkehrungen verringern bei ordnungsgemäßer Einhaltung das Risiko von Tod, Verletzung und Stromschlag. Bewahren Sie die Anleitung zusammen mit der ausgefüllten Garantiekarte, dem Kaufbeleg und der Verpackung für spätere Verwendungszwecke an einem sicheren Ort auf. Bitte übergeben Sie diese Anleitung gegebenenfalls an den nächsten Besitzer des Geräts. Befolgen Sie bitte bei der Benutzung eines Elektrogeräts stets die grundlegenden Sicherheitsvorkehrungen und Maßnahmen zur Unfallverhütung. Wir übernehmen keine Haftung für Kunden, die diese Bestimmungen nicht einhalten.

SICHERHEITSHINWEISE

Bei der Verwendung von Elektrogeräten sollten stets grundlegende Vorsichtsmaßnahmen befolgt werden:

- Ziehen Sie den Stecker aus der Steckdose, um das Heizgerät abzuschalten. Ziehen Sie nicht am Kabel.
- Lassen Sie das Netzkabel nicht das Heizgerät berühren, wenn dieses eingeschaltet ist.
- Achten Sie während des Betriebs darauf, dass das Heizgerät weit genug von brennbaren Materialien wie Vorhängen, Teppichen und Möbeln usw. steht.
- Decken Sie das Heizgerät nicht ab. Verwenden Sie das Heizgerät nicht zum Trocknen von Kleidung. Wenn das Heizgerät bedeckt ist, besteht ernsthafte Überhitzungsgefahr.
- **Gefahrenhinweis:** Wenn das Netzkabel beschädigt ist, muss es durch den Hersteller, seinen Kundendienst oder durch voll qualifiziertes Personal ersetzt werden, um Gefahrensituationen zu vermeiden.
- Wenn das Heizgerät in einem Badezimmer installiert werden soll, muss die Installation von einem qualifizierten Elektriker vorgenommen werden.
- Das Heizgerät darf nicht unter oder vor einer Steckdose aufgestellt werden.
- Bei der Entsorgung des Heizgeräts müssen alle Anforderungen der geltenden Gesetzgebung bezüglich Abfallentsorgung und Recycling eingehalten werden.
- Die Installation muss gemäß der geltenden Elektrogesetzgebung durchgeführt werden.
- Dieses Heizgerät muss einen Erdungsanschluss haben.
- Das Heizgerät muss so installiert werden, dass der Netzstecker immer zugänglich ist.
- Dieses Heizgerät darf nicht in eine Wand eingebaut werden. Beachten Sie immer die Sicherheitsabstände.
- Durch ein eingebautes Verriegelungssystem wird verhindert, dass Kinder mit der Programmierung des Heizgeräts spielen.
- Dieses Heizgerät darf nicht von Kindern oder körperlich, geistig oder sensorisch behinderten Personen mit wenig Erfahrung oder Wissen bedient

werden, es sei denn, dies geschieht unter der aufsicht einer für ihre sicherheit verantwortlichen person und anhand der entsprechenden gebrauchsanweisungen. Kinder müssen beaufsichtigt werden, um sicherzustellen, dass sie nicht mit dem heizgerät spielen.

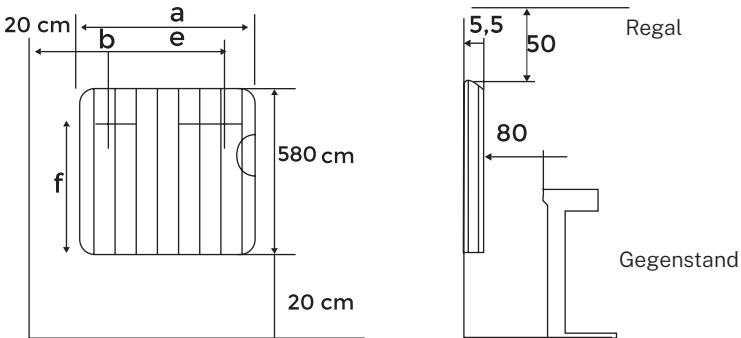
- Kinder unter drei jahren müssen vom heizgerät ferngehalten werden, sofern sie nicht unter ständiger aufsicht stehen.
- Kinder unter drei jahren müssen ferngehalten oder ständig beaufsichtigt werden. Kinder zwischen drei und acht jahren dürfen das gerät nur ein- und ausschalten, wenn dieses in seiner normalen betriebsposition aufgestellt oder installiert wurde, und wenn sie in der sicheren benutzung des geräts unterwiesen wurden und die damit verbundenen gefahren begreifen. Kinder zwischen drei und acht jahren dürfen das gerät nicht anschließen, regulieren und reinigen oder wartungsarbeiten durchführen.
- Dieses gerät darf von kindern ab acht jahren und von personen mit körperlichen, sensorischen oder geistigen behinderungen oder ohne erfahrung oder wissen verwendet werden, sofern sie ordnungsgemäß unterwiesen wurden und von jemandem beaufsichtigt werden, der die gefahren kennt. Die vom benutzer durchzuführenden reinigungs- und wartungsarbeiten dürfen nicht von kindern erledigt werden. Kinder dürfen nicht mit dem gerät spielen.
- Vorsicht: bestimmte teile dieses heizgeräts können während des betriebs sehr heiß werden und verbrennungen verursachen. Besondere aufmerksamkeit ist erforderlich, wenn kinder und andere schutzbedürftige personen anwesend sind.

Achtung: bewahren sie beutel und anderes verpackungsmaterial außerhalb der reichweite von kindern auf.

- Berühren sie während des betriebs nicht die außenseite des heizgeräts.
- Es ist ganz normal, dass man einen neuen geruch bemerkt, wenn das heizgerät zum ersten mal eingeschaltet wird. Lassen sie ihr heizgerät zwei oder drei stunden lang in einem gut belüfteten bereich laufen.
- Vor jeder kalten jahreszeit oder wenn das heizgerät mehrere tage/monate nicht in betrieb war, sollte es vor dem erneuten einschalten gereinigt werden (folgen sie den anweisungen in kapitel 10 „wartung“). Diese reinigung verhindert, dass angesammelter staub und andere rückstände verbrennen.
- Dieses heizgerät darf nicht mit externen programmierbaren geräten oder steuergeräten von drittanbietern betrieben werden.
- Aufgrund des konvektionseffekts dieses heizgeräts kann es zusammen mit anderen äußeren faktoren zu verfärbungen von metalloberflächen und anderen oberflächen in der nähe des heizgeräts kommen. Dies kann zu verfärbungen von metall- und kunststoffoberflächen führen.
- Temperaturschwankungen können ein knistern oder geräusche im heizgerät verursachen. Dies ist kein hinweis auf einen fehler.
- Die garantie für das heizgerät deckt keine schäden ab, die durch nichtbeachtung dieser anweisungen verursacht wurden.

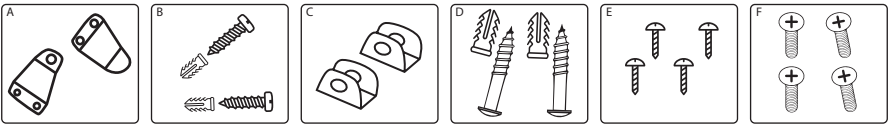
INSTALLATION UND MONTAGE

- Dieses Heizgerät kann auf den mitgelieferten Füßen oder an der Wand (Befestigungen im Lieferumfang inbegriffen) installiert werden.
- Das Heizgerät darf niemals unterhalb einer Netzsteckdose installiert werden.
- Das Heizgerät darf niemals an einer Stelle installiert werden, an der die Schalter und andere Bedienelemente von Personen von der Badewanne oder Dusche aus erreicht werden können.
- Das Heizgerät arbeitet mit natürlicher Luftkonvektion. Um eine korrekte Leistung und eine gleichmäßige Wärmeverteilung zu erzielen, muss der untere Teil des Heizgeräts bei der Montage an einer Wand mindestens 20 cm vom Boden, mindestens 20 cm von den Seiten und 50 cm von einem darüber befindlichen Regal und ebenso mindestens 20 cm von jeder Wand oder jedem Gegenstand (Möbel und Vorhänge usw.) entfernt sein.



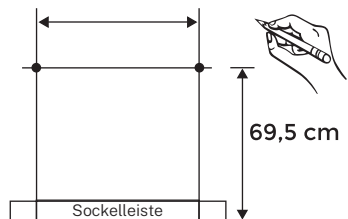
WANDMONTAGE

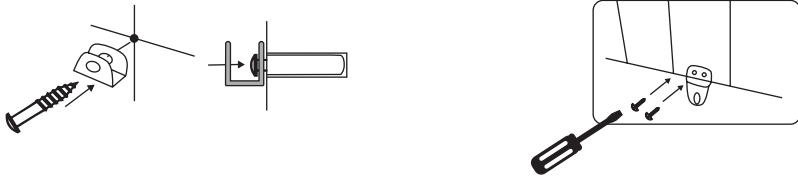
1. Wählen Sie einen geeigneten Ort an der Wand, der fest und eben sein sollte. Achten Sie darauf, dass sich in der Nähe eine Steckdose befindet.
2. Die Abstände variieren je nach Heizgerätmodell.
3. Öffnen Sie den Verpackungskarton und prüfen Sie, ob das gesamte Befestigungszubehör vorhanden ist. Bewahren Sie den Karton für die Aufbewahrung außerhalb der Saison auf.



MONTAGE

1. Beachten Sie die zuvor genannten Sicherheitsmaße und markieren Sie die Wand mit den in Tabelle 1 angegebenen Maßen „e“ und in einer Höhe von 69,5 cm vom Boden (nicht ab Fußleiste).
2. Bohren Sie an der markierten Stelle zwei Löcher mit einem Durchmesser von 10 mm und einer Mindesttiefe von 60 mm.
3. Drücken Sie die beiden Dübel (D) in die beiden Löcher und sichern Sie die beiden Haken (C) mit den beiden Schrauben (D).





4. Schrauben Sie die zwei Halteklammern (A) (oder je nach Modell eine Halteklammer) mit den vier Schrauben (E) (oder je nach Modell zwei Schrauben) an den hinteren Teil des Heizgeräts.

Hinweis: Die beiden Halterungen (A) werden an beiden Enden mit den Löchern am unteren hinteren Teil des Heizgeräts verschraubt.

5. Hängen Sie das Heizgerät an die beiden Haken (C) an der Wand. Stellen Sie sicher, dass das Heizgerät an beiden Haken korrekt befestigt ist.

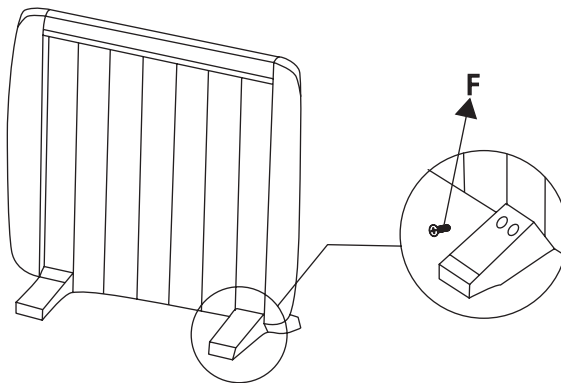
6. Wenn das Heizgerät aufgehängt ist, machen Sie zwei Markierungen an der Wand, an denen die beiden Halterungen (A) befestigt werden, um sicherzustellen, dass das Heizgerät gut an der Wand befestigt ist.

7. Nehmen Sie das Heizgerät ab und bohren Sie zwei Löcher mit einem Durchmesser von 4 mm und einer Mindestdiefe von 25 mm an beiden Markierungen in die Wand.

8. Setzen Sie die beiden Dübel ein und befestigen Sie es mit den beiden Schrauben (B), um das Heizgerät vollständig an der Wand zu befestigen.

MONTAGE DER FÜSSE

1. Schrauben Sie die beiden Füße mit den vier mitgelieferten Schrauben (F) am unteren hinteren Teil des Heizgeräts fest: zwei Schrauben pro Fuß.



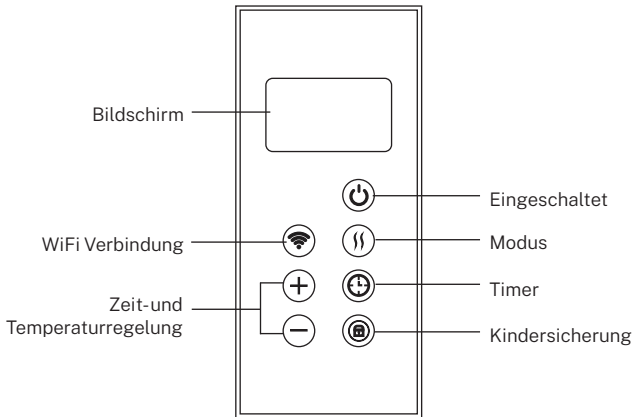
GEBRAUCH DES ARTIKELS

- Stellen Sie das Heizgerät auf eine ebene, stabile Oberfläche.
- Schließen Sie es an eine Stromquelle mit 220-240 V, 50 Hz Wechselstrom an und schalten Sie es mit dem seitlichen Schalter ein. Sie hören den Ton „Di“.
- Schalten Sie das Heizgerät ein, indem Sie die Ein/Aus-Taste “⏻” drücken. Das LED zeigt die Raumtemperatur an. Stellen Sie dann mit den Touch-Bedienelementen oder der Fernbedienung die Leistung, die Temperatur und die Zeit ein.
- Wenn das Gerät längere Zeit nicht benutzt wird, schalten Sie es mit der Ein/Aus-Taste aus und ziehen Sie den Stecker aus der Steckdose.
- Warnhinweis! Decken Sie das Produkt nicht ab! Der Konvektor darf nicht unter eine Dusche oder an einen Swimmingpool gestellt werden.

BEDIENPANEL

Stecken Sie den Stecker in eine geeignete Steckdose. Die am Produkt befindlichen Touchscreen-Tasten entsprechen den Funktionen der Fernbedienung.

Die Anzeige wird nach einigen Minuten automatisch ausgeschaltet.



⏻ LEISTUNG

Wenn das Produkt eingeschaltet ist, drücken Sie „Power“. Im oberen Teil des Displays wird die Temperatur angezeigt. Das Heizgerät heizt jetzt mit geringer Leistung.

⏸ MODUS

Niedrig, hoch.

TEMPERATUR

Die Temperatur kann von 5 °C bis 40 °C eingestellt werden.

Die Innentemperatur wird bei jedem Einschalten des Geräts angezeigt. Die Temperatur kann eingestellt werden, wenn sich das Gerät im Standby-Modus befindet oder heizt. Wenn die Raumtemperatur das eingestellte Niveau erreicht, stoppt die Hochtemperaturleistung und die Niedertemperaturleistung bleibt aktiv. Wenn die Raumtemperatur zwei Grad über der eingestellten Temperatur liegt, werden sowohl die Hochtemperatur- als auch die Niedrigtemperaturleistung ausgeschaltet. Das Gerät nimmt den Betrieb erst wieder auf, wenn die Temperatur im Vergleich zur eingestellten Temperatur um zwei Grad gesunken ist.

⌚ ZEITSCHALTUHR

Die Zeitschaltuhr kann mit der Taste Timer so eingestellt werden, dass das Gerät zur gewünschten Zeit mit einem Zeitintervall zwischen 1 und 24 Stunden gestartet oder gestoppt wird.

🔒 KINDERSICHERUNG

Drücken Sie die Taste Child Lock drei Sekunden lang, um das Heizgerät zu blockieren. Nach erneutem Drücken der Taste Child Lock wird die Kindersicherung aufgehoben.

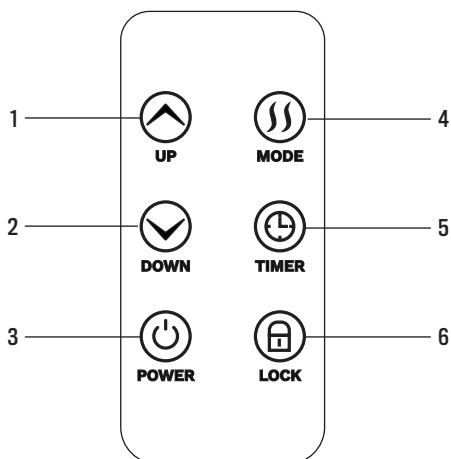
Sie können auch die Modustaste auf dem Bedienfeld 3 Sekunden lang drücken, um den Bildschirm zu sperren oder zu entsperren.

VORGEHENSWEISE FÜR FERNBEDIENUNG

Stecken Sie den Stecker in eine geeignete Steckdose.

Die am Produkt befindlichen Touchscreen-Tasten entsprechen den Funktionen der Fernbedienung.

1. Temperatur / Zeit erhöhen
2. Niedrigere Temperatur / Zeit
3. Netzschalter
4. Modus
5. Timer
6. Kindersicherung



REINIGUNG

- Warten Sie vor dem Reinigen, bis das Gerät abgekühlt ist, und ziehen Sie den Netzstecker.
- Verwenden Sie keine Scheuermittel und Lösungsmittel. Wischen Sie das Produkt mit einem weichen, feuchten Tuch ab
- Staub muss regelmäßig von der Oberfläche entfernt werden.
- Waschen Sie den Artikel nicht und legen Sie ihn nicht in Wasser!
- Wenn Sie das Heizgerät längere Zeit nicht benutzen, wischen Sie die Oberfläche ab und verwahren Sie das Gerät im Karton.
- Es sollte in einem trockenen, belüfteten Raum aufgestellt werden. Vermeiden Sie hohe Luftfeuchtigkeit und mechanische Einflüsse auf das Produkt.

Achtung: Heizgerät niemals unbeaufsichtigt lassen!

Der Importeur behält sich das Recht vor, das Aussehen und die Vollständigkeit der Ware zu ändern, ohne den Kunden vorher darüber zu informieren.

Das Gerät ist nur für den Hausgebrauch bestimmt.

Warnhinweis! Der Hersteller übernimmt keine Haftung für Schäden, die direkt oder indirekt durch Nichtbeachtung dieser Bedienungsanleitung oder der allgemeinen Sicherheitsvorschriften oder durch Eingriffe in die Konstruktion des Produkts verursacht werden.

1. Scannen Sie mit Ihrem Handy den unten stehenden QR-Code oder suchen Sie nach „CREATE Home“, um die App herunterzuladen und zu installieren.



iPhone OS



Android OS

2. Wählen Sie Ihre Landesvorwahl, geben Sie Ihre Mobiltelefonnummer ein und tippen Sie auf „Get“, um eine Nachricht mit einem Bestätigungscode zu erhalten.
3. Geben Sie den Bestätigungscode in die Nachricht ein und tippen Sie auf „Anmelden“, um sich bei der App anzumelden.
4. Gehen Sie zur App und tippen Sie unten auf „Gerät hinzufügen“.
5. Es gibt zwei Verbindungsmethoden für die App (Hotspot-Modus und Schnellverbindungsmodus). Der Schnellverbindungsmodus ist der Standardmodus. Um die Verbindungsmethode in den Hotspot-Modus zu wechseln, tippen Sie auf die obere rechte Ecke.
 - Beim Schnellverbindungsmodus achten Sie darauf, dass die Kontrollleuchte des Geräts schnell blinkt.
 - Beim Hotspot-Modus achten Sie darauf, dass die Kontrollleuchte des Geräts langsam blinkt.
 - Wenn die Leuchte nicht wie oben beschrieben blinkt, drücken Sie bitte mindestens fünf Sekunden lang auf die Reset-Taste am Gerät °C, bis sie korrekt blinkt.
6. Wählen Sie das WLAN-Netz, geben Sie das Passwort ein und tippen Sie auf „Weiter“.
7. Für den Schnellverbindungsmodus durchläuft die App-Oberfläche die Änderungen während der Netzwerkkonfiguration.
8. Das Gerät ist jetzt korrekt angeschlossen.
9. Nachdem das Gerät erfolgreich verbunden wurde, tippen Sie unten auf „Geräte“. Der Gerätenamen wird in der Liste angezeigt. Tippen Sie darauf, um das Bedienfeld des Smart Sockets aufzurufen.

Hinweise:

- Wenn das Gerät online ist, wird ein grüner Punkt vor dem Gerätesymbol angezeigt.
 - Wenn das Gerät offline ist, ist der Punkt grau.
 - Wenn das Gerät von anderen geteilt wird, wird eine Doppelschleife angezeigt.
10. In „Mein Profil“ können Benutzer persönliche Informationen verwalten.
 - Persönliche Informationen einschließlich Kontoname und Mobiltelefonnummer.
 - Informationen zu freigegebenen Geräten.
 - Mitteilungszentrum.
 - Eintrag, um Feedback abzugeben.
 - F.A.Q - Häufig gestellte Fragen.
 - Verknüpfung mit Telefon: Wenn Sie sich mit einem Konto der sozialen Netzwerke anmelden, können Sie Ihre Telefonnummer mit Ihrem Konto verknüpfen.
 - Über Add Sharing (Freigabe hinzufügen): Wie in der Abbildung gezeigt, können Benutzer die Mobiltelefonnummer eines neuen Mitglieds eingeben und das Gerät für sie freigeben. Das neue Mitglied kann das Gerät mit seinem eigenen Konto steuern.

EIGENSCHAFTEN

Dieses Produkt ist nur für gut isolierte Räume oder für den gelegentlichen Gebrauch geeignet.

Heizleistung	WARM SLIM 1500	Art der wärmeabgabe, nur für lokale elektroheizungen (auswahl).	WARM SLIM 1500
Nennheizleistung	1.5 KW	Manuelle Steuerung der thermischen Last, mit integriertem Thermostat.	NEIN
Minimale Heizleistung (indikativ)	1.5 KW	Manuelle Wärmelastregelung, mit Raum-und/oder Außentemperaturreückführung.	NEIN
Maximale Dauerheizleistung	1.5 KW	Elektronische Steuerung der Wärmelast mit Raum und / für externe Temperaturreückführung.	NEIN
Elektrischer Nebenverbrauch		Gebälseunterstützte Heizleistung.	NEIN
Nennheizleistung	N/A	Art der Heizleistung / Umgebungstemperaturregelung	
Minimale Heizleistung	N/A	Einstufige Heizleistung ohne Raumtemperaturregelung.	NEIN
Im Standby-Modus	0.00094 KW	Zwei oder mehr manuelle Stufen, ohne Raumtemperaturregelung.	NEIN
		Mit mechanischem Thermostat zur Raumtemperaturregelung.	NEIN
		Mit elektronischer Raumtemperaturregelung.	NEIN
		Elektronische Steuerung der Raumtemperatur und der Tageszeit.	NEIN
		Elektronische Steuerung der Raumtemperatur plus Wochenschaltuhr.	JA
		Andere Steuerungsmöglichkeiten (Mehrfachauswahl möglich)	
		Umgebungstemperaturregelung, mit Anwesenheitserkennung.	NEIN
		Umgebungstemperaturregelung, mit Erkennung offener Fenster.	JA
		Mit Fernsteuerungsmöglichkeit.	NEIN
		Mit flexibler Startsteuerung.	NEIN
		Mit Begrenzung der Arbeitszeit..	NEIN
		Mit schwarzem Glühlampensensor.	NEIN



In Übereinstimmung mit den Richtlinien: 2012/19 / EU und 2015/863 / EU über die Beschränkung der Verwendung gefährlicher Stoffe in elektrischen und elektronischen Geräten sowie deren Abfallentsorgung. Das Symbol mit der gekreuzten Mülltonne auf der Verpackung zeigt an, dass das Produkt am Ende seiner Nutzungsdauer als separater Abfall gesammelt wird. Daher muss jedes Produkt, das das Ende seiner Nutzungsdauer erreicht hat, an spezialisierte Abfallentsorgungszentren zur selektiven Sammlung von elektrischen und elektronischen Abfallgeräten geliefert oder beim Kauf ähnlicher neuer Geräte an den Einzelhändler zurückgegeben werden für eine Basis. Die ordnungsgemäße getrennte Sammlung für die spätere Inbetriebnahme von Geräten, die zum umweltfreundlichen Recycling, zur Behandlung und Entsorgung versandt werden, trägt dazu bei, mögliche negative Auswirkungen auf Umwelt und Gesundheit zu vermeiden und das Recycling und die Wiederverwendung zu optimieren die Komponenten, aus denen das Gerät besteht... Die missbräuchliche Beseitigung des Produkts durch den Benutzer impliziert die Anwendung von Verwaltungsanktionen in Übereinstimmung mit den Gesetzen.

NEDERLANDS

Heel erg bedankt voor het kiezen van onze kachel. Lees voor het gebruik van het apparaat deze instructies zorgvuldig door voor het juiste gebruik.

De meegeleverde veiligheidsmaatregelen verminderen het risico op elektrische schokken, letsel en zelfs de dood als ze strikt worden opgevolgd. Bewaar deze handleiding op een veilige plaats voor toekomstige referentie, samen met de naar behoren ingevulde productgarantiekaart, originele productverpakking en aankoopbewijs. Geef deze instructies indien mogelijk aan de volgende eigenaar van het apparaat. Houd u bij het gebruik van een apparaat altijd aan de fundamentele veiligheidsmaatregelen en voorschriften ter voorkoming van ongevallen. Wij zijn niet verantwoordelijk voor klanten die niet aan deze eisen voldoen.

BEVEILIGINGSINSTRUCTIES

Bij gebruik van een apparaat moeten de fundamentele veiligheidsmaatregelen te allen tijde worden gerespecteerd:

- Haal de stekker uit het stopcontact om de verwarming los te koppelen. Trek niet aan de kabel.
- Laat het netsnoer niet in contact met de verwarming terwijl deze aan staat.
- Zorg er tijdens bedrijf voor dat de kachel uit de buurt blijft van brandbare materialen zoals gordijnen, vloerkleden, meubels, enz.
- Bedek de kachel niet. Gebruik de kachel niet om kleren te drogen. Als u de kachel afdekt, bestaat er een ernstig risico op oververhitting.
- Gevaar: als de voedingskabel beschadigd is, moet de fabrikant deze vervangen via de klantenservice of een gekwalificeerd persoon om gevaarlijke situaties te voorkomen.
- Als u de kachel in een badkamer installeert, moet een gekwalificeerde elektricien de installatie uitvoeren.
- De kachel mag niet onder of voor een stopcontact worden geplaatst.
- Wanneer u de kachel weggooit, moet u voldoen aan alle vereisten die zijn vastgelegd in de huidige wetgeving inzake afvalverwerking en recycling.
- De installatie moet worden uitgevoerd in overeenstemming met de huidige wetgeving inzake elektrische veiligheid.
- Deze kachel moet worden geaard.
- De kachel moet zo worden geïnstalleerd dat deze altijd toegang biedt tot het stopcontact.
- Deze kachel kan niet in de muur worden verzonken. U moet altijd veiligheidsafstanden respecteren.
- De kachel heeft een vergrendelingssysteem om te voorkomen dat kinderen met de programmeur spelen.
- Deze kachel is niet ontworpen om te worden bediend door kinderen of mensen met een fysieke, mentale of zintuiglijke handicap met weinig ervaring of kennis, tenzij ze onder toezicht staan van een persoon die ve-

rantwoordelijk is voor hun veiligheid en de bijbehorende gebruiksinstructies hebben. Kinderen moeten onder toezicht staan om ervoor te zorgen dat ze niet met de kachel spelen.

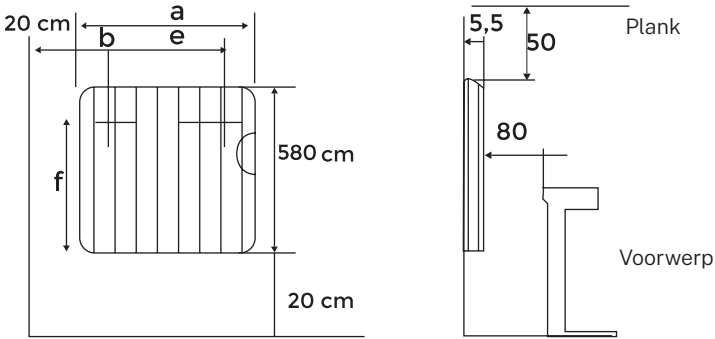
- Kinderen jonger dan drie jaar moeten volledig uit de buurt van de kachel worden gehouden, tenzij ze onder constant toezicht staan.
- Houd kinderen onder de drie jaar uit de buurt van de kachel, tenzij ze constant onder toezicht staan. Kinderen tussen drie en acht jaar mogen het apparaat alleen aan / uitzetten als het is geplaatst of geïnstalleerd in de beoogde bedieningspositie, en ze zijn begeleid of geïnstrueerd over hoe ze het veilig kunnen gebruiken en de risico's begrijpen. Bestaand. Kinderen tussen drie en acht jaar kunnen het apparaat niet aansluiten, regelen of reinigen of gebruikersonderhoud uitvoeren.
- Dit apparaat kan worden gebruikt door kinderen van ten minste acht jaar en personen met fysieke, sensorische of mentale beperkingen of zonder ervaring of kennis, op voorwaarde dat ze goed zijn geïnstrueerd over het gebruik ervan en onder toezicht staan van een persoon die de risico's begrijpt. Reiniging en onderhoud van de kachel die door de gebruiker moet worden uitgevoerd, mag niet door kinderen worden uitgevoerd. Kinderen mogen niet met dit apparaat spelen.

Kijk uit: sommige delen van de kachel kunnen tijdens bedrijf zeer hoge temperaturen bereiken en brandwonden veroorzaken. Wees extra voorzichtig in het bijzijn van kinderen en andere kwetsbare mensen.

- Voorzichtigheid: houd tassen en andere accessoires absoluut buiten het bereik van kinderen.
- Raak de buitenkant van de kachel tijdens het gebruik niet aan.
- Wanneer de kachel voor het eerst wordt ingeschakeld, is het normaal om een nieuwe geur op te merken. Gebruik de kachel twee tot drie uur in een goed geventileerde ruimte.
- Voor de aankomst van elk koud seizoen, of wanneer de kachel dagen of maanden is losgekoppeld, maak hem schoon voordat u hem weer aansluit (volg de stappen beschreven in hoofdstuk 10 'onderhoud'). Deze reiniging voorkomt brandend stof en ander vuil dat zich in het apparaat heeft opgehoopt.
- Deze kachel kan niet worden gebruikt met externe programmeerbare units of andere besturingsapparatuur van derden.
- Vanwege het convectie-effect van deze kachel, samen met andere externe factoren, kunnen verkleuringen van metalen en andere oppervlakken optreden als ze zich in de buurt ervan bevinden. Dit kan verkleuring van metalen en plastic oppervlakken veroorzaken.
- Temperatuurschommelingen kunnen sissen of geluid in de kachel veroorzaken. Dit betekent niet dat er een storing is opgetreden in het apparaat.
- De garantie op de kachel dekt geen schade die ontstaat door het niet naleven van deze instructies.

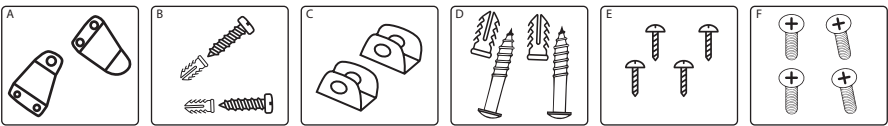
INSTALLATIE EN MONTAGE

- Deze kachel kan op zijn poten (meegeleverd) of aan de muur (bevestigingsmiddelen meegeleverd) worden geïnstalleerd.
- De kachel mag nooit onder een stopcontact worden geïnstalleerd of op een plek waar een persoon in bad of douche toegang heeft tot de schakelaars en andere bedieningselementen op de kachel.
- De kachel werkt door natuurlijke luchtconvectie. Om het apparaat goed te laten werken en de lucht gelijkmatig te verdelen, moet het onderste deel van het apparaat, wanneer het aan de muur wordt gemonteerd, op minimaal 20 centimeter van de vloer, op minstens 20 centimeter van de zijkanten en op 50 centimeter worden geplaatst van elke plank die erop is geplaatst, evenals een minimum van 20 centimeter van een muur of object (meubels en gordijnen, enz.).



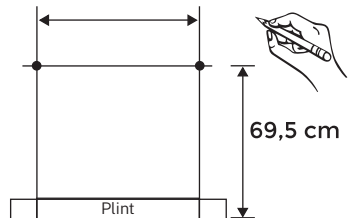
MUURINSTALLATIE

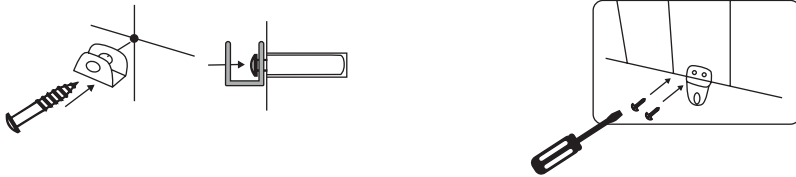
1. Kies een geschikte locatie op de muur die veilig en vlak is. Controleer of er een stopcontact in de buurt is.
2. De afstanden variëren afhankelijk van het model verwarming.
3. Open de doos en controleer of alle accessoires voor het bevestigen van het apparaat erin zitten. U kunt de productdoos bewaren om hem op te bergen wanneer u hem niet gaat gebruiken.



MONTAGE

1. Maak, met inachtneming van de hierboven genoemde veiligheidsmaatregelen, twee markeringen op de muur volgens de maatregelen «e» aangegeven in tabel 1 en op een hoogte van 695 mm vanaf de grond (niet de plint).
2. Maak in het gemarkeerde gebied twee gaten met een diameter van 10 mm, met een minimale diepte van 60 mm.
3. Steek de twee pluggen (D) in de twee gaten en bevestig de twee haken (C) met de twee schroeven (D).





4. Schroef de twee beugels (A) (of één beugel, afhankelijk van het model) aan de achterkant van de kachel met de vier schroeven (E) (of twee schroeven, afhankelijk van het model).

Notitie: De twee beugels (A) worden aan beide uiteinden in de gaten onderaan de achterkant van de kachel geschroefd.

5. Hang de kachel aan de twee haken (C) aan de muur. Zorg ervoor dat het apparaat goed aan de twee haken is bevestigd.

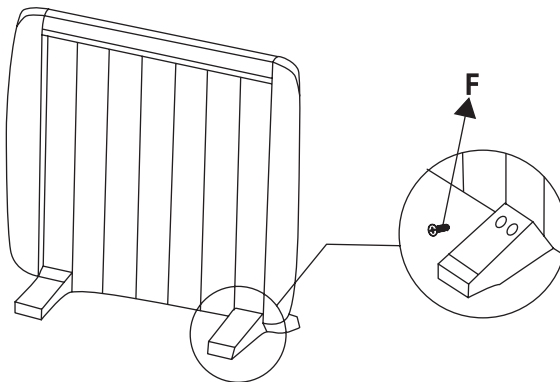
6. Wanneer de kachel op zijn plaats heeft gehangen, maakt u twee markeringen op de muur waaraan de twee beugels (A) zullen worden bevestigd om ervoor te zorgen dat de kachel aan de muur blijft.

7. Verwijder de kachel en boor twee gaten van 4 mm diameter met een minimale diepte van 25 mm bij de twee muurmarkeringen.


8. Plaats de twee pluggen en bevestig ze met de twee schroeven (B) om de kachel volledig aan de muur te bevestigen.

VOETEN INSTALLATIE

1. Schroef de twee poten aan de onderzijde van de kachel vast met de vier meegeleverde schroeven (F), twee schroeven per poot.



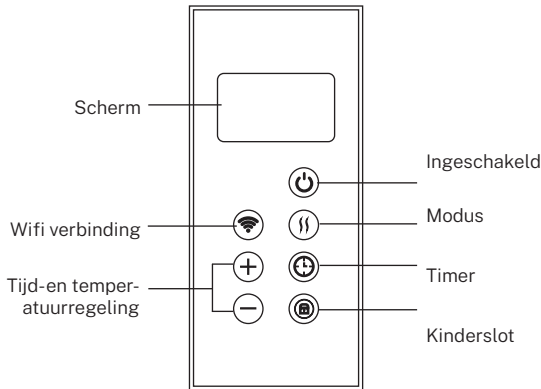
HET APPARAAT GEBRUIKEN

- Plaats de kachel op een stabiel, vlak oppervlak.
- Sluit hem aan op een 220-240V, 50Hz wisselstroombron en zet de schakelaar aan de zijkant aan. U hoort een piepton.
- Zet de kachel aan door op de aan / uit-knop te drukken «», De LED geeft de omgevingstemperatuur weer. Gebruik vervolgens de aanraakbediening of de afstandsbediening om het vermogen, de temperatuur en de tijd aan te passen.
- Als u het apparaat lange tijd niet gaat gebruiken, zet u het uit met de aan / uit-schakelaar en haalt u de stekker uit het stopcontact.
- Waarschuwing! Bedek het product niet. Plaats het apparaat niet onder de douche of in een zwembad.

CONTROLEPANEEL

Steek de stekker in een geschikt stopcontact. De knoppen op het touchscreen op het product komen overeen met de functies van de afstandsbediening.

Het display wordt na enkele minuten automatisch uitgeschakeld.



⏻ KRACHT

Wanneer het product is ingeschakeld, drukt u op de “Power”-knop. Je ziet de temperatuur bovenaan het scherm. De kachel werkt in verwarmingsomstandigheden met laag vermogen.

⏸ MODUS

U kunt kiezen tussen lage modus of hoge modus.

TEMPERATUUR

De temperatuur is instelbaar tussen 5 °C en 40 °C.

Elke keer dat het apparaat wordt ingeschakeld, wordt de interne temperatuur weergegeven. De temperatuur kan worden aangepast wanneer het apparaat in de stand staat stand-by of in werking. Wanneer de omgevingstemperatuur het ingestelde niveau bereikt, stopt de maximale temperatuuruitgang en blijft de minimale temperatuuruitgang actief. Als de omgevingstemperatuur twee graden boven de ingestelde temperatuur ligt, werken zowel de minimumtemperatuur als de maximumtemperatuuruitgang. Het apparaat begint pas weer te werken als de temperatuur twee graden daalt ten opzichte van de ingestelde temperatuur.

⊕ TIMER

De timerknop kan worden ingesteld om het apparaat op het gewenste tijdstip in of uit te schakelen, met een tijdsinterval tussen 1 en 24 uur.

🔒 KINDERSLOT

Druk drie seconden op de kinderslotknop om de verwarming te vergrendelen. Druk nogmaals drie seconden op de knop om hem te ontgrendelen.

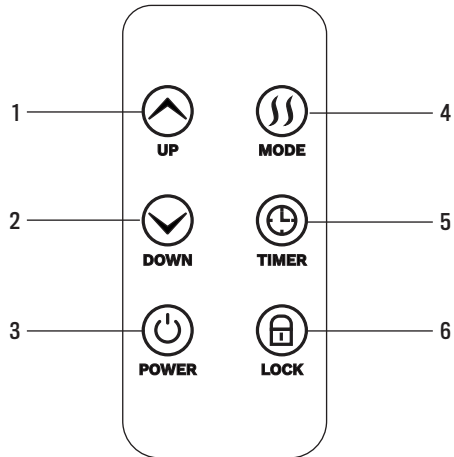
Je kunt ook 3 seconden op de fietstoets drukken om het scherm te vergrendelen of ontgrendelen.

BEDIENING OP AFSTAND

Steek de stekker in een geschikt stopcontact.

De knoppen op het touchscreen op het product komen overeen met de functies van de afstandsbediening.

1. Verhoog temp. / weer
2. Lagere temp. / weer
3. Aanknop
4. Modus
5. Timer
6. Kinderslot



REINIGING

- Wacht voordat u het apparaat schoonmaakt tot het is afgekoeld en trek de stekker uit het stopcontact.
- Gebruik geen schuurmiddelen of oplosmiddelen. Reinig het product met een zachte, vochtige doek.
- Verwijder regelmatig stof van het oppervlak.
- Was het apparaat niet en plaats het niet onder water.
- Als u het apparaat langere tijd niet gaat gebruiken, reinig dan het oppervlak en bewaar het in de doos.
- Je moet het opslaan in een geventileerde en droge ruimte. Vermijd hoge luchtvochtigheid en mechanische impact op het apparaat.

Waarschuwing: laat de kachel nooit onbeheerd achter.

De importeur behoudt zich het recht voor om het uiterlijk en de integriteit van het artikel te wijzigen zonder voorafgaande kennisgeving aan de klant.

Het apparaat is uitsluitend bedoeld voor huishoudelijk gebruik.

Waarschuwing! De fabrikant is niet verantwoordelijk voor schade die direct of indirect ontstaat door het niet naleven van deze instructiehandleiding of algemene veiligheidsvoorschriften, of door interferentie bij de fabricage van het product.

1. Gebruik je telefoon om de QR-code hieronder te scannen of zoek naar “CREATE Home” om de applicatie te downloaden en te installeren.



iPhone OS



Android OS

2. Selecteer het voorvoegsel van uw land, voer uw mobiele nummer in en druk op “Get” om een bericht met de verificatiecode te ontvangen.
3. Voer de verificatiecode van het bericht in en druk op “Inloggen” om in te loggen op de applicatie.
4. Open de applicatie en druk onderaan op “Apparaat toevoegen”.
5. U kunt het apparaat op twee verschillende manieren verbinden met de applicatie (toegangspuntmodus of snelle verbindingsmodus). De snelverbindingsmodus is de standaardmodus. Gebruikers kunnen in de rechterbovenhoek tikken om de manier van verbinding te wijzigen in de toegangspuntmodus.
 - Als u de snelverbindingsmodus wilt gebruiken, zorg er dan voor dat het lampje op het scherm van uw apparaat snel knippert.
 - Voor toegangspuntmodus, zorg ervoor dat het lampje op het apparaatscherm langzaam knippert.
 - Als er geen lampjes knipperen zoals hierboven beschreven, drukt u vijf seconden of langer op de resetknop op het apparaat totdat deze goed knippert.
6. Selecteer het wifi-netwerk, voer het wachtwoord in en druk op «Volgende».
7. Voor een snelle verbindingsmodus kunt u de relevante wijzigingen in de applicatie-interface aanbrengen tijdens het netwerkconfiguratieproces.
8. Het apparaat is al correct aangesloten.
9. Zodra je het hebt aangesloten, tik je onderaan op “Apparaten”. De apparaatnaam verschijnt in de lijst. Druk op om toegang te krijgen tot het bedieningspaneel van de slimme connector.

Opmerkingen:

- Wanneer het apparaat is verbonden met het netwerk, wordt er een groene stip weergegeven op de voorkant van het apparaatpictogram.
 - Als het apparaat niet is verbonden met het netwerk, wordt een grijze stip weergegeven.
 - Als je het apparaat met andere mensen deelt, verschijnt er een dubbele lus.
10. In «Mijn profiel» kunt u uw persoonlijke gegevens beheren als
 - Uw accountnaam en telefoonnummer.
 - Informatie over gedeelde apparaten.
 - Berichten centrum.
 - Open het wanneer u een opmerking wilt verzenden.
 - Frequentie vragen.
 - Zo koppelt u de telefoon: Als u zich aanmeldt met een sociaal netwerkaccount, kunt u uw telefoonnummer aan uw account koppelen.
 - Gebruikers toevoegen om het apparaat te delen: Zoals weergegeven in de afbeelding, kunnen gebruikers het mobiele nummer van een nieuw lid invoeren om het apparaat met hem te delen. Het nieuwe lid kan het apparaat bedienen met zijn eigen account.

KENMERKEN

Dit product is alleen geschikt voor goed geïsoleerde ruimtes of voor incidenteel gebruik.

Warmteafgifte	WARM SLIM 1500	TYPE WARMTE-INBRENG, ALLEEN VOOR LOKALE ELEKTRISCHE KACHELS (SELECTEER ER EEN)	WARM SLIM 1500	
Nominale warmteafgifte	1.5 KW	Handmatige regeling van thermische belasting, met geïntegreerde thermostaat.	NIET	
Minimale warmteafgifte (indicatief)	1.5 KW	Handmatige warmtebelastingregeling, met ruimte en / voor externe temperatuurfeedback.	NIET	
Maximale continue warmteafgifte	1.5 KW	Elektronische thermische belastingregeling met ruimte en / voor externe temperatuurfeedback.	NIET	
Extra elektriciteitsverbruik		Door ventilator ondersteunde warmteafgifte	NIET	
Nominale warmteafgifte	N/A	Type warmteafgifte / regeling van de kamertemperatuur (Kies een).		
Minimale warmteafgifte	N/A	Single-state warmteafgifte zonder regeling van de omgevingstemperatuur.	NIET	
In de standby-modus	0.00094 KW	Twee of meer handmatige trappen, zonder regeling van de omgevingstemperatuur.	NIET	
		Met mechanische ruimtethermostaat.	NIET	
		Met elektronische regeling van kamertemperatuur.	NIET	
		Elektronische regeling van kamertemperatuur en dagtimer.	NIET	
		Elektronische regeling van kamertemperatuur plus timer van de week.	JA	
		ANDERE BESTURINGSOPTIES (MEERDERE SELECTIES MOGELIJK).		
		Ruimtetemperatuurregeling, met aanwezigheidsdetectie.	NIET	
Ruimtetemperatuurregeling, met detectie van open raam.	JA			
Met optie voor afstandscontrole.	NIET			
Met adaptieve startcontrole.	NIET			
Met beperkte werktijd.	NIET			
Met zwarte bolsensor.	NIET			



In overeenstemming met de richtlijnen: 2012/19 / EU en 2015/863 / EU betreffende de beperking van het gebruik van gevaarlijke stoffen in elektrische en elektronische apparatuur, evenals hun afvalverwerking. Het symbool met de gekruiste vuilnisbak op de verpakking geeft aan dat het product aan het einde van zijn levensduur als gescheiden afval wordt ingezameld. Daarom moet elk product dat het einde van zijn levensduur heeft bereikt, worden afgeleverd bij gespecialiseerde afvalverwijderingscentra voor de selectieve inzameling van afgedankte elektrische en elektronische apparatuur, of bij de aankoop van soortgelijke nieuwe apparatuur in één keer aan de detailhandelaar worden geretourneerd. Voor één basis. Een juiste gescheiden inzameling voor latere inbedrijfstelling van apparatuur die wordt verzonden om te worden gerecycled, behandeld en op milieuvriendelijke wijze afgevoerd, helpt mogelijke negatieve effecten op het milieu en de gezondheid te voorkomen en optimaliseert recycling en hergebruik van de componenten waaruit het apparaat bestaat. De onrechtmatige eliminatie van het product door de gebruiker impliceert de toepassing van administratieve sancties in overeenstemming met de wetten.

Dziękujemy bardzo za wybór naszego grzejnika. Przed użyciem urządzenia przeczytaj uważnie niniejszą instrukcję, aby prawidłowo korzystać z urządzenia.

Dołączone środki ostrożności zmniejszają ryzyko porażenia prądem, obrażeń, a nawet śmierci, jeśli są ściśle przestrzegane. Zachowaj tę instrukcję w bezpiecznym miejscu do wykorzystania w przyszłości, wraz z należycie wypełnioną kartą gwarancyjną produktu, oryginalnym opakowaniem produktu i dowodem zakupu. Jeśli to możliwe, przekaż te instrukcje następnemu właścicielowi urządzenia. Podczas korzystania z urządzenia należy zawsze przestrzegać podstawowych zasad bezpieczeństwa i przepisów dotyczących zapobiegania wypadkom. Nie ponosimy żadnej odpowiedzialności za tych klientów, którzy nie spełniają tych wymagań.

INSTRUKCJE BEZPIECZEŃSTWA

Podczas korzystania z dowolnego urządzenia należy zawsze przestrzegać podstawowych środków bezpieczeństwa:

- Wyjmij wtyczkę z gniazdka, aby odłączyć grzejnik. Nie ciągnij za kabel.
- Nie pozostawiaj przewodu zasilającego w kontakcie z grzejnikiem, gdy jest on włączony.
- Podczas pracy należy trzymać grzejnik z dala od łatwopalnych materiałów, takich jak zasłony, dywaniki, meble itp.
- Nie należy pokrywać grzejnika. Nie należy używać nagrzewnicy do osuszania odzieży. Jeśli zakryjesz grzejnik, istnieje poważne ryzyko przegrzania.
- Zagrożenie: w przypadku uszkodzenia kabla zasilającego producent musi go wymienić w serwisie technicznym lub przez wykwalifikowaną osobę, aby uniknąć niebezpiecznych sytuacji.
- Jeśli instalujesz grzejnik w łazience, wykwalifikowany elektryk powinien wykonać instalację.
- Grzejnika nie należy umieszczać pod ani przed gniazdkiem elektrycznym.
- Pozbywając się grzejnika, należy przestrzegać wszystkich wymagań określonych w obowiązujących przepisach dotyczących przetwarzania odpadów i recyklingu.
- Instalacja musi być przeprowadzona zgodnie z obowiązującymi przepisami dotyczącymi bezpieczeństwa elektrycznego.
- Grzejnik musi być uziemiony.
- Grzejnik musi być zainstalowany w taki sposób, aby zawsze zapewniał dostęp do gniazdka elektrycznego.
- Grzejnik nie może być wpuszczony w ścianę. Zawsze musisz przestrzegać bezpiecznych odległości.
- Grzejnik ma system blokujący, aby uniemożliwić dzieciom zabawę z programatorem.
- Grzejnik ten nie jest przeznaczony do obsługi przez dzieci lub osoby z niepełnosprawnością fizyczną, umysłową lub sensoryczną o niewielkim doświadczeniu lub wiedzy, chyba że są one pod nadzorem osoby

odpowiedzialnej za ich bezpieczeństwo i posiadają odpowiednie instrukcje użytkowania. Dzieci powinny być nadzorowane, aby nie bawiły się grzejnikiem.

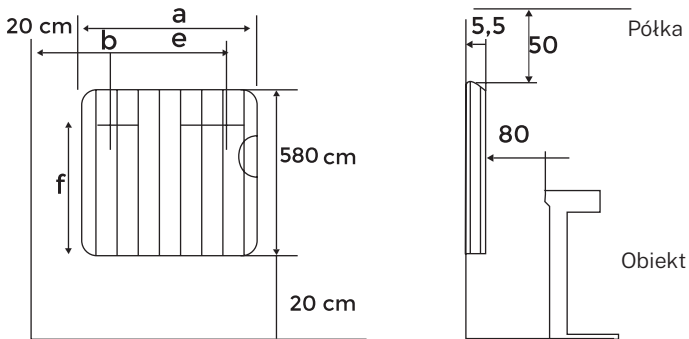
- Dzieci poniżej trzeciego roku życia należy trzymać z dala od grzejnika, chyba że są pod stałym nadzorem.
- Dzieci poniżej trzeciego roku życia należy trzymać z dala od grzejnika, chyba że są pod stałym nadzorem. Dzieci w wieku od trzech do ośmiu lat powinny włączać / wyłączać urządzenie tylko wtedy, gdy zostało ustawione lub zainstalowane w zamierzonej pozycji roboczej, a także były nadzorowane lub instruowane, jak bezpiecznie korzystać z urządzenia i rozumieć ryzyko. Istniejący. Dzieci w wieku od trzech do ośmiu lat nie mogą podłączać, regulować ani czyścić urządzenia ani wykonywać czynności konserwacyjnych.
- To urządzenie może być używane przez dzieci w wieku co najmniej ośmiu lat oraz osoby niepełnosprawne fizycznie, sensorycznie lub umysłowo lub bez doświadczenia lub wiedzy, pod warunkiem, że zostały odpowiednio pouczone, jak korzystać z niego i są nadzorowane przez osobę, która rozumie ryzyko. Zabrania się czyszczenia i konserwacji grzejnika przez użytkownika. Dzieci nie powinny bawić się tym urządzeniem.

Uważaj: niektóre części grzejnika mogą osiągać bardzo wysokie temperatury podczas pracy i powodować poparzenia. Zachowaj szczególną ostrożność w obecności dzieci i innych osób wymagających szczególnego traktowania.

- Uwaga: przechowuj torby i inne akcesoria absolutnie poza zasięgiem dzieci.
- Nie dotykać zewnętrznej strony grzejnika podczas pracy.
- Kiedy grzałka jest włączana po raz pierwszy, normalne jest zauważenie nowego zapachu. Używaj grzejnika w dobrze wentylowanym miejscu przez dwie do trzech godzin.
- Przed nadejściem każdej zimnej pory roku lub gdy grzejnik został odłączony na kilka dni lub miesięcy, wyczyść go przed ponownym podłączeniem (wykonaj czynności opisane w rozdziale 10 „konserwacja”). To czyszczenie pozwoli uniknąć spalania pyłu i innych zanieczyszczeń nagromadzonych w urządzeniu.
- Grzejnik nie może być używany z zewnętrznymi programowalnymi urządzeniami ani innymi urządzeniami sterującymi innych firm.
- Ze względu na efekt konwekcyjny tego grzejnika, wraz z innymi czynnikami zewnętrznymi, mogą pojawić się przebarwienia metali i innych powierzchni, jeśli będą w pobliżu. Może to spowodować odbarwienie powierzchni metalowych i plastikowych.
- Wahania temperatury mogą powodować skwierczenie lub hałas w grzejniku. Nie oznacza to, że w urządzeniu wystąpiła usterka.
- Gwarancja na grzejnik nie obejmuje uszkodzeń powstałych w wyniku nieprzestrzegania instrukcji.

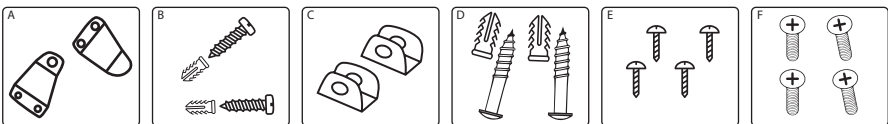
INSTALACJA I MONTAŻ

- Grzejnik można zainstalować na nóżkach (w zestawie) lub na ścianie (w zestawie łączniki).
- Grzejnika nigdy nie należy instalować pod gniazdkiem elektrycznym ani w miejscu, w którym osoba w wannie lub prysznicu może uzyskać dostęp do przełączników i innych elementów sterujących grzejnika.
- Grzejnik działa na zasadzie naturalnej konwekcji powietrza. Aby urządzenie działało poprawnie i równomiernie rozprowadzało powietrze, po zainstalowaniu na ścianie, dolna część urządzenia musi znajdować się co najmniej 20 centymetrów od podłogi, co najmniej 20 centymetrów od boków, co 50 centymetrów każdej umieszczonej na nim półki, a także co najmniej 20 centymetrów od dowolnej ściany lub przedmiotu (mebli i zastłon itp.).



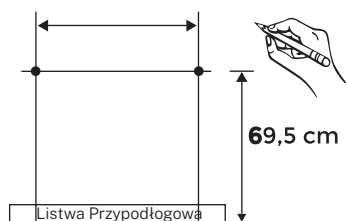
MONTAŻ NA ŚCIANIE

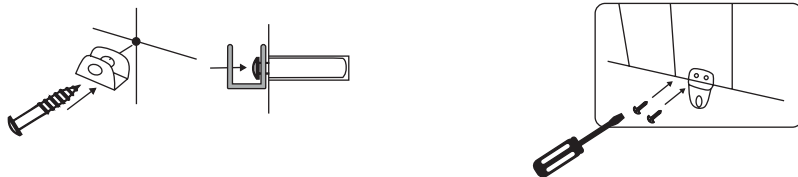
1. Wybierz odpowiednie miejsce na ścianie, które jest bezpieczne i równe. Sprawdź, czy w pobliżu znajduje się gniazdko.
2. Odległości różnią się w zależności od modelu nagrzewnicy.
3. Otwórz pudełko i sprawdź, czy wszystkie akcesoria do zamocowania urządzenia są w środku. Możesz zapisać pudełko produktu, aby przechowywać je, gdy nie będziesz go używać.



MONTOWANIE

1. Przestrzegając wyżej wymienionych środków bezpieczeństwa, narysuj dwa znaki na ścianie zgodnie ze środkami «e» wskazanymi w tabeli 1 i na wysokości 69,5 mm od podłoża (nie od podstawy).
2. W oznaczonym obszarze wykonaj dwa otwory o średnicy 10 mm, o minimalnej głębokości 60 mm.
3. Włóż dwie zaślepki (D) do dwóch otworów i zamocuj dwa haczyki (C) za pomocą dwóch śrub (D).





4. Przykręć dwa wsporniki (A) (lub jeden wspornik, w zależności od modelu) do tylnej części grzejnika za pomocą czterech śrub (E) (lub dwóch śrub, w zależności od modelu).

Uwaga: Dwa wsporniki (A) wkręca się w otwory w dolnej tylnej części grzejnika na obu końcach.

5. Zawieś grzejnik na dwóch zaczepach (C) na ścianie. Upewnij się, że urządzenie jest prawidłowo przymocowane do dwóch haczyków.

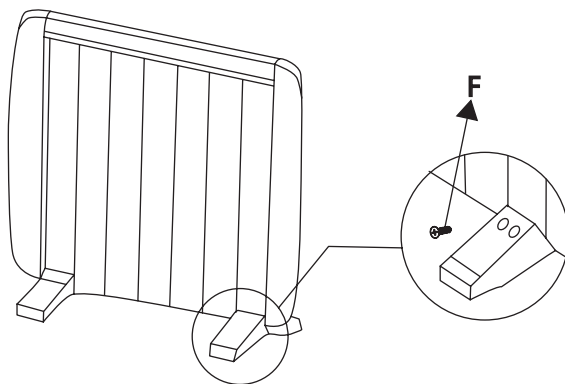
6. Kiedy grzejnik zawiesi się na swoim miejscu, narysuj dwa znaki na ścianie, do której zostaną przymocowane dwa wsporniki (A), aby zapewnić, że grzejnik pozostanie na ścianie.

7. Wyjmij grzejnik i wywierć dwa otwory o średnicy 4 mm o minimalnej głębokości 25 mm na dwóch znakach ściany.


8. Włóż dwie wtyczki i zamocuj je za pomocą dwóch śrub (B), aby całkowicie przymocować grzejnik do ściany.

INSTALACJA STÓP

1. Przykręć dwie nogi do dolnej tylnej części grzejnika za pomocą czterech dostarczonych śrub (F), po dwie śruby na nogę.



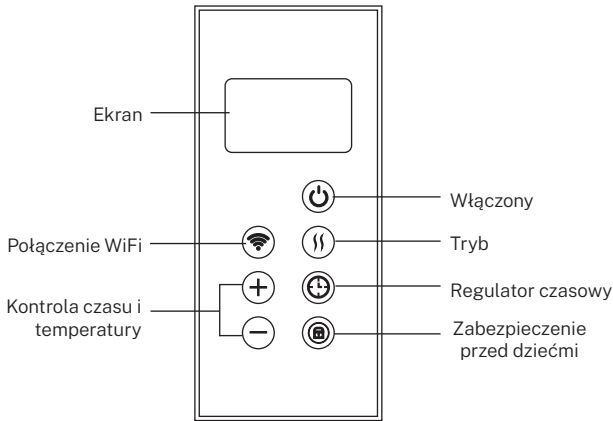
KORZYSTANIE Z URZĄDZENIA

- Ustaw grzejnik na stabilnej płaskiej powierzchni.
- Podłącz go do dowolnego źródła prądu przemiennego o napięciu 220–240 V, 50 Hz, a następnie włącz przełącznik z boku. Usłyszysz sygnał dźwiękowy.
- Włączyć grzejnik naciskając przycisk zasilania «», Diody LED pokaże temperaturę otoczenia. Następnie za pomocą przycisków dotykowych lub pilota zdalnego sterowania dostosuj moc, temperaturę i czas.
- Jeśli nie będziesz używać urządzenia przez dłuższy czas, wyłącz je za pomocą wyłącznika zasilania i odłącz od wtyczki.
- Ostrzeżenie! Nie zakrywaj produktu. Nie umieszczaj urządzenia pod prysznicem lub na basenie.

PANEL STEROWANIA

Włóż wtyczkę do odpowiedniego gniazdka. Przyciski na ekranie dotykowym produktu odpowiadają funkcjom pilota.

Po kilku minutach wyświetlacz automatycznie się wyłączy.



🔌 MOC

Gdy produkt jest włączony, naciśnij przycisk „Zasilanie”. Na górze ekranu zobaczysz temperaturę. Grzejnik działa w warunkach ogrzewania małej mocy.

📶 TRYB

Możesz wybrać pomiędzy trybem niskim a wysokim.

TEMPERATURA

Temperaturę można regulować w zakresie od 5 °C do 40 °C.

Temperatura wewnętrzna jest wyświetlana przy każdym włączeniu urządzenia. Temperaturę można regulować, gdy urządzenie jest w trybie czekali lub działający. Kiedy temperatura otoczenia osiągnie ustalony poziom, maksymalna temperatura wyjściowa zostaje zatrzymana, a minimalna temperatura wyjściowa pozostaje aktywna. Gdy temperatura otoczenia jest o dwa stopnie wyższa od temperatury ustawionej, zarówno temperatura minimalna, jak i maksymalna temperatura przestają działać. Urządzenie zacznie ponownie działać dopiero, gdy temperatura spadnie o dwa stopnie od ustawionej temperatury.

🕒 REGULATOR CZASOWY

Przycisk timera można ustawić tak, aby włączał lub wyłączał urządzenie w żądanym czasie, w odstępie od 1 do 24 godzin.

🔒 ZABEZPIECZENIE PRZED DZIEĆMI

Naciśnij przycisk blokady rodzicielskiej przez trzy sekundy, aby zablokować grzejnik. Aby go odblokować, naciśnij przycisk ponownie przez trzy sekundy.

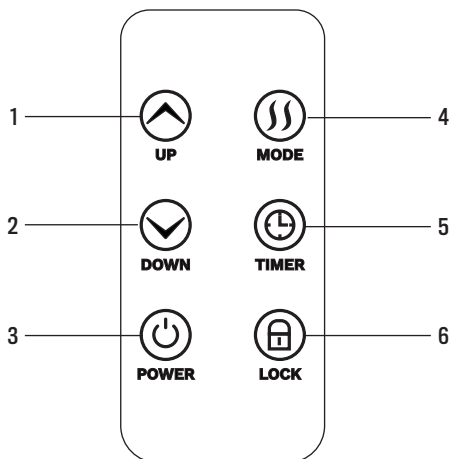
Możesz także nacisnąć przycisk rowerowy przez 3 sekundy, aby zablokować lub odblokować ekran.

ZDALNE STEROWANIE

Włóż wtyczkę do odpowiedniego gniazdka.

Przyciski na ekranie dotykowym produktu odpowiadają funkcjom pilota.

1. Podnieś temp. / pogoda
2. Niższa temperatura / pogoda
3. Przycisk zasilania
4. Tryb
5. Regulator czasowy
6. Zabezpieczenie przed dziećmi



CZYSZCZENIE

- Przed czyszczeniem urządzenia poczekaj, aż ostygnie i wyjmij wtyczkę z gniazdka.
- Nie używaj materiałów ściernych ani rozpuszczalników. Wyczyść produkt miękką wilgotną ściereczką.
- Okresowo usuwaj kurz z powierzchni.
- Nie myj urządzenia ani nie umieszczaj go pod wodą.
- Jeśli nie będziesz używać urządzenia przez długi czas, wyczyść powierzchnię i trzymaj ją w pudełku.
- Powinieneś przechowywać go w wentylowanym i suchym pomieszczeniu. Unikaj wysokiej wilgotności i wszelkich mechanicznych uderzeń w urządzenie.

Ostrzeżenie: nigdy nie pozostawiaj grzejnika bez nadzoru.

Importer zastrzega sobie prawo do zmiany wyglądu i integralności artykułu bez uprzedniego powiadomienia klienta.

Urządzenie jest przeznaczone wyłącznie do użytku domowego.

Ostrzeżenie! Producent nie ponosi odpowiedzialności za jakiegokolwiek szkody, które wystąpią bezpośrednio lub pośrednio z powodu niezgodności z niniejszą instrukcją obsługi lub ogólnymi przepisami bezpieczeństwa lub z powodu ingerencji w wytwarzanie produktu.

1. Użyj telefonu, aby zeskanować poniższy kod QR lub wyszukaj „CREATE Home”, aby pobrać i zainstalować aplikację.



iPhone OS



Android OS

2. Wybierz prefiks swojego kraju, wprowadź numer telefonu komórkowego i naciśnij „Get”, aby otrzymać wiadomość z kodem weryfikacyjnym.
3. Wprowadź kod weryfikacyjny wiadomości i naciśnij „Zaloguj się”, aby zalogować się do aplikacji.
4. Otwórz aplikację i naciśnij „Dodaj urządzenie” na dole.
5. Możesz podłączyć urządzenie do aplikacji na dwa różne sposoby (tryb punktu dostępu lub tryb szybkiego połączenia). Tryb szybkiego połączenia to tryb domyślny. Użytkownicy mogą stuknąć w prawym górnym rogu, aby zmienić sposób połączenia na tryb punktu dostępu.
 - Jeśli chcesz użyć trybu szybkiego połączenia, upewnij się, że lampka na ekranie urządzenia szybko miga.
 - W trybie punktu dostępu upewnij się, że lampka na ekranie urządzenia powoli miga.
 - Jeśli żadne światło nie miga zgodnie z powyższym opisem, naciśnij przycisk resetowania na urządzeniu przez co najmniej pięć sekund, aż zaczniesz migać poprawnie.
6. Wybierz sieć Wi-Fi, wprowadź hasło i naciśnij «Dalej».
7. W przypadku trybu szybkiego połączenia można wprowadzić odpowiednie zmiany w interfejsie aplikacji podczas procesu konfiguracji sieci.
8. Urządzenie jest już prawidłowo podłączone.
9. Po podłączeniu dotknij „Urządzenia” na dole. Nazwa urządzenia pojawi się na liście. Naciśnij, aby uzyskać dostęp do panelu sterowania inteligentnego złącza.

Uwagi:

- Gdy urządzenie jest podłączone do sieci, zielona kropka będzie wyświetlana z przodu ikony urządzenia.
 - Gdy urządzenie nie jest podłączone do sieci, wyświetli się szara kropka.
 - Jeśli udostępnisz urządzenie innym osobom, pojawi się podwójna pętla.
10. W «Mój profil» możesz zarządzać swoimi danymi osobowymi jako
 - Nazwa twojego konta i numer telefonu.
 - Informacje o udostępnionych urządzeniach.
 - Centrum wiadomości.
 - Uzyskaj do niej dostęp, gdy chcesz wysłać komentarz.
 - Częste pytania
 - Jak połączyć telefon: Jeśli logujesz się za pomocą konta w sieci społecznościowej, możesz połączyć swój numer telefonu ze swoim kontem.
 - Dodawanie użytkowników do udostępniania urządzenia: Jak pokazano na obrazku, użytkownicy mogą wprowadzić numer telefonu komórkowego nowego członka, aby udostępnić mu urządzenie. Nowy członek będzie mógł sterować urządzeniem za pomocą własnego konta.

CHARAKTERYSTYKA

Ten produkt nadaje się tylko do dobrze izolowanych pomieszczeń lub do okazjonalnego użytku.

Moc cieplna	WARM SLIM 1500	Rodzaj imputacji ciepła, tylko dla lokalnych grzejników elektrycznych (wybierz jeden)	WARM SLIM 1500
Nominalna moc cieplna	1.5 KW	Ręczna kontrola obciążenia termicznego, ze zintegrowanym termostatem.	NIE
Minimalna moc cieplna (orientacyjna)	1.5 KW	Ręczna kontrola obciążenia cieplnego, z przestrzenią i / dla zewnętrznego sprzężenia zwrotnego temperatury.	NIE
Maksymalna ciągła moc cieplna	1.5 KW	Elektroniczna kontrola obciążenia termicznego z przestrzenią i / lub dla zewnętrznego sprzężenia zwrotnego temperatury.	NIE
Zużycie energii elektrycznej pomocniczej		Moc cieplna wspomagana wentylatorem	NIE
Nominalna moc cieplna	N/A	Rodzaj mocy cieplnej / regulacja temperatury w pomieszczeniu (Wybierz jeden).	
Minimalna moc cieplna	N/A	Jednostopniowa moc cieplna bez kontroli temperatury otoczenia.	NIE
W trybie gotowości	0.00094 KW	Dwa lub więcej etapów manualnych, bez kontroli temperatury otoczenia.	NIE
		Z mechanicznym termostatem pokojowym.	NIE
		Z elektroniczną kontrolą temperatury w pomieszczeniu.	NIE
		Elektroniczne sterowanie temperaturą w pomieszczeniu i zegarem dziennym.	NIE
		Elektroniczne sterowanie temperaturą pokojową plus timer tygodnia.	TAK
		Inne opcje sterowania (możliwe wielokrotne wybory).	
		Kontrola temperatury w pomieszczeniu z wykrywaniem obecności.	NIE
		Kontrola temperatury w pomieszczeniu z wykrywaniem otwartego okna.	TAK
		Z opcją kontroli odległości.	NIE
		Z adaptacyjną kontrolą startu.	NIE
		Z ograniczonym czasem pracy.	NIE
		Z czarnym czujnikiem żarówki.	NIE



Zgodnie z dyrektywami: 2012/19 / UE i 2015/863 / UE w sprawie ograniczenia stosowania niebezpiecznych substancji w sprzęcie elektrycznym i elektronicznym, a także ich usuwania. Symbol z przekreślonym pojemnikiem na śmieci pokazany na opakowaniu oznacza, że produkt pod koniec okresu użytkowania będzie zbierany jako osobny odpad. Dlatego każdy produkt, który osiągnął koniec okresu użytkowania, musi zostać dostarczony do wyspecjalizowanych centrów usuwania odpadów w celu selektywnej zbiórki zużytego sprzętu elektrycznego i elektronicznego lub zwrócony do sprzedawcy przy zakupie podobnego nowego sprzętu, w jednym dla jednej bazy. Właściwa selektywna zbiórka w celu późniejszego uruchomienia sprzętu przeznaczonego do recyklingu, obróbki i utylizacji w sposób przyjazny dla środowiska pomaga zapobiegać potencjalnym negatywnym skutkom dla środowiska i zdrowia oraz optymalizuje recykling i ponowne użycie elementy składające się na urządzenie. Niewłaściwe usunięcie produktu przez użytkownika oznacza nałożenie sankcji administracyjnych zgodnie z prawem.

CREATE



FR

Cet appareil
se recycle

À DÉPOSER
EN MAGASIN



OU

À DÉPOSER
EN DÉCHÈTERIE



Points de collecte sur www.quefairedemesdechets.fr
Privilégiez la réparation ou le don de votre appareil !



RoHS



Made in P.R.C.