

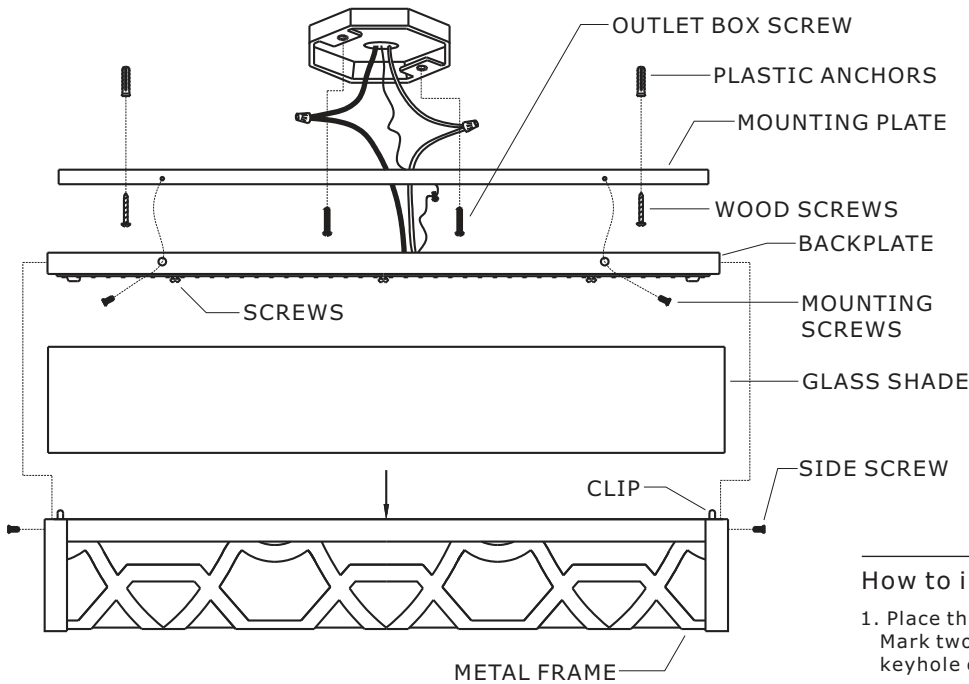
CRYSTORAMA

LIGHTING THE WAY FOR SIXTY YEARS



Crystorama.com

ASSEMBLY INSTRUCTION MODEL #2264-AG-LED



All electrical components must be installed by a licensed electrician in accordance with the National Electric Code and the appropriate local electrical codes.

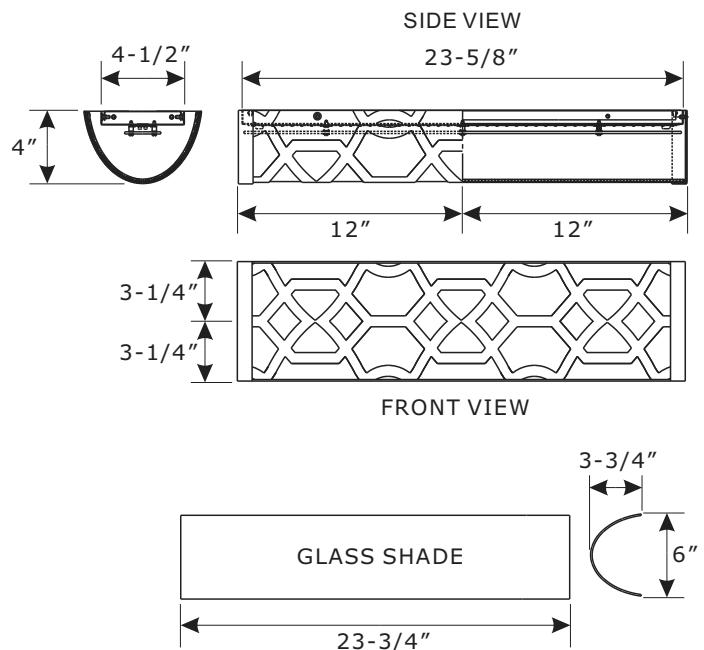


You will need 1 LED Module, 26 Watts Bulb included.
This fixture is Damp rated

How to install

1. Place the mounting plate over the outlet box. Mark two points on the wall at the center of keyhole on the mounting plate.
2. Drill two holes at the marked points and insert the wall anchors.
3. Place the mounting plate over the outlet box and secure it with outlet box screws. Insert and tighten the anchor screws into the wall anchors until snug.
4. Install backplate onto the mounting plate, and secure with the mounting screws.
5. Place the glass shade inside the metal frame and secure it with the clips.
6. Install metal frame onto the backplate, and secure with the side screws.

It can be mounted both vertically and horizontally.



HOW TO REPLACE LED:

REMOVE METAL FRAME AND SCREWS TO REPLACE PREVIOUS LED.

WARNING: This product can expose you to Lead which is known to the state of California to cause cancer and/or birth defects or reproductive harm. For more information go to www.P65Warnings.ca.gov



ASSEMBLY INSTRUCTION MODEL#2264-AG-LED

Part Number

Part Numbers

- A. (1)-Mounting hardware
- B. (1)-Mounting plate
- C. (1)-Backplate L23-5/8''xW4-1/2''xH3/4'' #XRF2264AGBKP23.625IN
- D. (4)-Mounting screw
- E. (1)-Glass shade #XRF2264LGLA23.75IN
- F. (4)-Side screw
- G. (1)-Metal frame

