

CRYSTORAMA

LIGHTING THE WAY FOR SIXTY YEARS



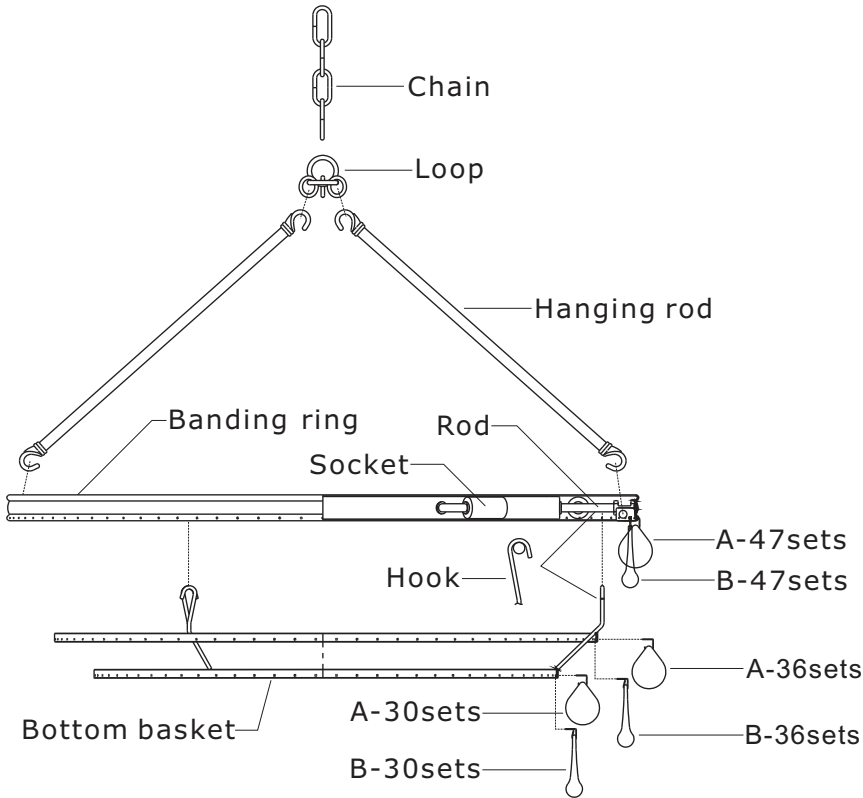
ASSEMBLY INSTRUCTION MODEL#237-VG



All electrical components must be installed by a licensed electrician in accordance with the National Electric Code and the appropriate local electrical codes.



You will need 6- Candelabra Base Bulb
40 Watts Recommended 60 Watts Max.
USE LED BULBS FOR EXTENDED USE
This fixture is Damp rated

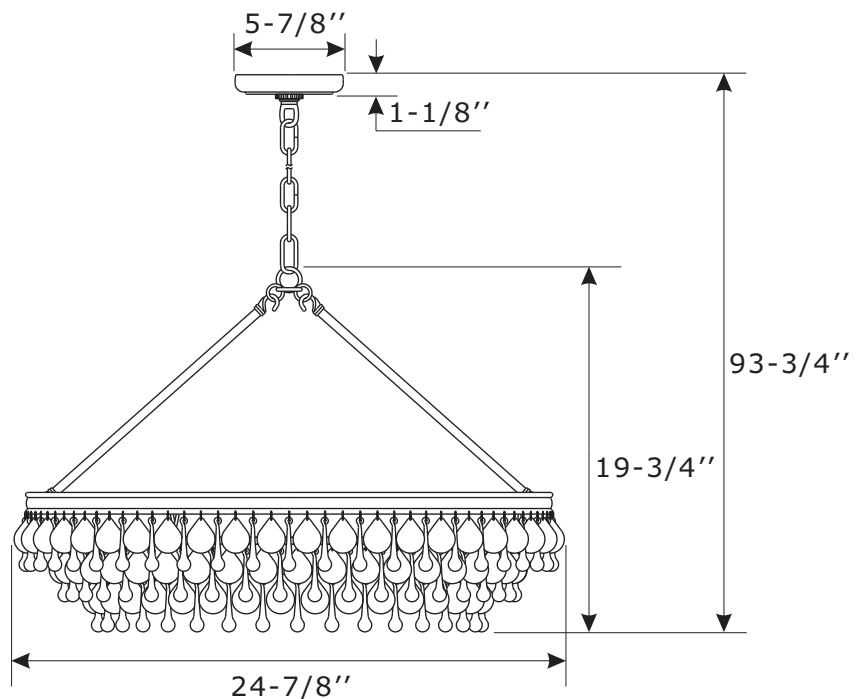


For ceiling:

1. Connect one end of hanging rod to the hole inside the banding ring, the second end of it to the loop.
2. Raise the bottom basket and connect the hooks of the bottom basket to the rods of the banding ring.
3. Hang crystals to the banding ring and bottom basket, alternating between glass drop A and B.
4. Install the bulb(not included) into the socket.

Hang crystals on the rings alternating between crystals A and B

- A= 29mmx117sets
B= 76mmx118sets



WARNING: This product can expose you to Lead which is known to the state of California to cause cancer and/or birth defects or reproductive harm. For more information go to www.P65Warnings.ca.gov



Part Number

Part Numbers

- A. (1)-Mounting hardware
- B. (1)-Canopy W5-7/8"xH1-1/8" #XRF275VGCAN5.875IN
- C. (1)-Collar ring
- D. (1)-Collar loop
- E. (1)-Chain -L72", 4mm thick #XRF237VGCHA4MM
- F. (1)-Loop #XRF275VGLLOOP
- G. (3)-Hanging rod D1/2"xL15-5/8" #XRF237VGHROD15.625IN
- H. (1)-Banding ring #XRF237VGRING
- I. (6)-Socket
- J. (1)-Bottom basket #XRF237VGBT

