

18-Inch Column Freezer



DRZ18980LAP/DA — Panel ready, left hinge
DRZ18980RAP/DA — Panel ready, right hinge

Features & Benefits

- SteelCool™ full stainless steel interior
- LED 3D Lighting
- Hidden Touch Control Panel with SmartThings Wi-Fi connectivity
- Push-to-Open Door
- Internal icemaker
- R600a refrigerant
- Panel ready

Weights & Dimensions

NET WEIGHT (LBS)	289
SHIPPING WEIGHT (LBS)	425
PRODUCT DIMENSIONS (W X H X D IN INCHES)	17 3/4 x 83 3/8 x 25
FLUSH CUTOUT REQUIRED (W X H X D IN INCHES)	18 x 84 x 25

Technical Details

ELECTRICAL REQUIREMENTS	115V, 60 Hz, 15A
--------------------------------	------------------

Warranty

FULL COVERAGE	2 years
SEALED SYSTEM, PARTS & LABOR	6 years
SEALED SYSTEM, PARTS ONLY (COMPRESSOR INCLUDED)	10 years

Controls

CONTROL TYPE	Easy reach hidden Glass-Touch
WI-FI + SMARTTHINGS	Yes
SABBATH MODE	Yes

Features

TOTAL CAPACITY (CU. FT.)	9.5
PUSH-TO-OPEN	Yes
WATER DISPENSER	Internal water dispenser
ICEMAKER	Yes
DEODORIZING FILTER	Yes
LED LIGHTING	3D Lighting
INTERIOR MATERIAL	SteelCool™ (Full stainless steel walls)
DIGITAL INVERTER COMPRESSOR	Yes
REFRIGERANT	R600a
FREEZER DRAWERS	2
DOOR BINS	4
SHELVES	4
DOOR ALARM	Yes

Refrigerator

FRESHZONE™ DRAWER	Yes
--------------------------	-----

Freezer

FREEZER CAPACITY (CU. FT.)	9.5
FREEZER TEMPERATURE	-8°F to 5°F
DEDICATED EVAPORATOR & COMPRESSOR SYSTEM	Yes
POWER FREEZE	Yes

Accessories (Optional)

Please see page 14 of Reference Guide for a full list of accessories

RAC18AMLHSR/DA	18" panel kit, Silver Stainless, left
RAC18AMRHSR/DA	18" panel kit, Silver Stainless, right
RAC18AMLHMS/DA	18" panel kit, Graphite Stainless, left
RAC18AMRHMS/DA	18" panel kit, Graphite Stainless, right
RACOOWFAAAA/DA	Water filter for refrigeration
RACOOTCAAAA	Install kit for triple built-in refrigeration
RACOOCPAAAA/DA*	Install kit to pair built-in refrigeration

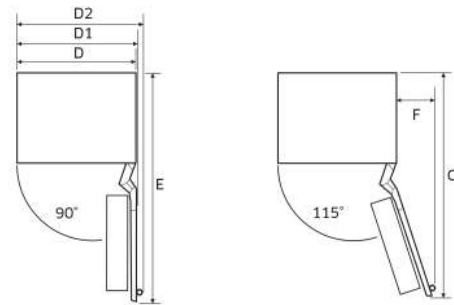
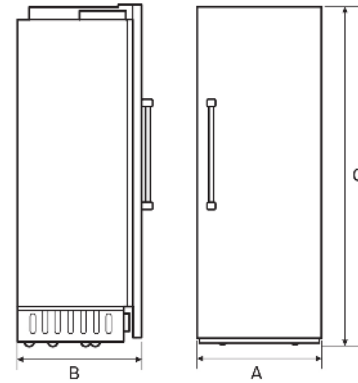
*2x needed for triple install.

18-Inch Column Freezer



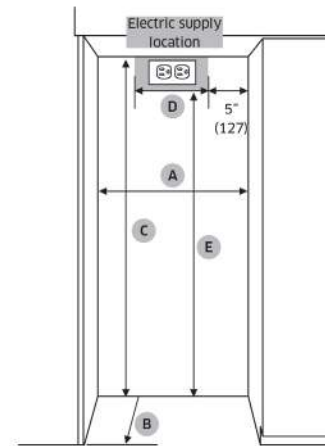
Product Dimensions

A - WIDTH (IN/MM)	17 3/4 / 451
B - WIDTH PANEL (IN/MM)	25 / 635
C - HEIGHT (IN/MM)	83 3/8 / 2118
D - (IN/MM)	17 5/8 / 447
D1 - WITH PANEL (IN/MM)	18 7/8 / 479
D2 - WITH MODERNIST HANDLE (IN/MM)	20 3/4 / 527
E - (IN/MM)	44 3/4 / 1136
F - (IN/MM)	11 11/16 / 275
G - (IN/MM)	43 7/8 / 1114



Installation Cutout Dimensions

A - WIDTH (IN/MM)	18 / 457
B - DEPTH (IN/MM)	25 / 635
C - HEIGHT (IN/MM)	84 / 2134
D - (IN/MM)	8 / 203
E - (IN/MM)	80 / 2032



Water Supply Connection Requirements

A - (IN/MM)	3 / 76
--------------------	--------

