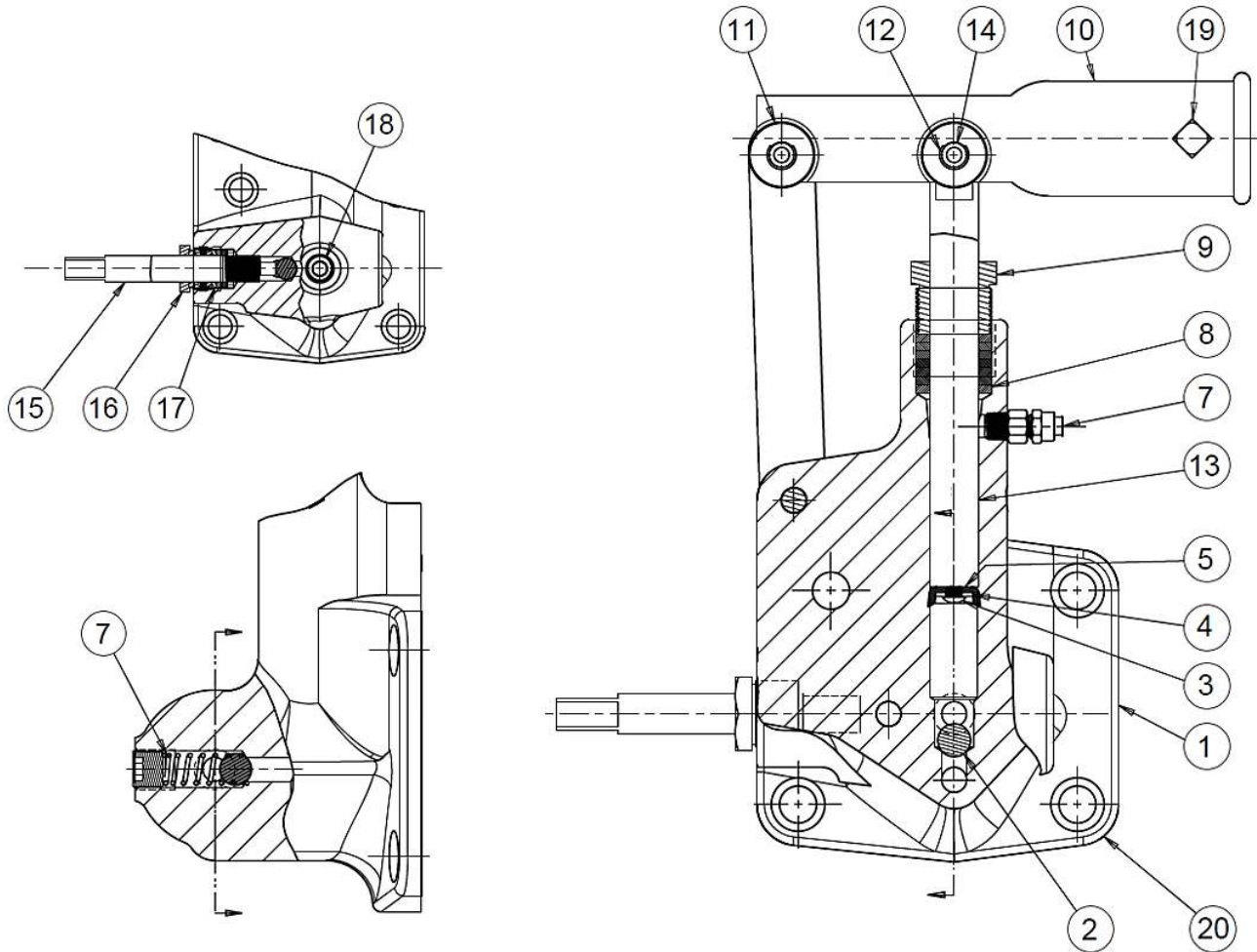


EXPLODED VIEW & PARTS LIST

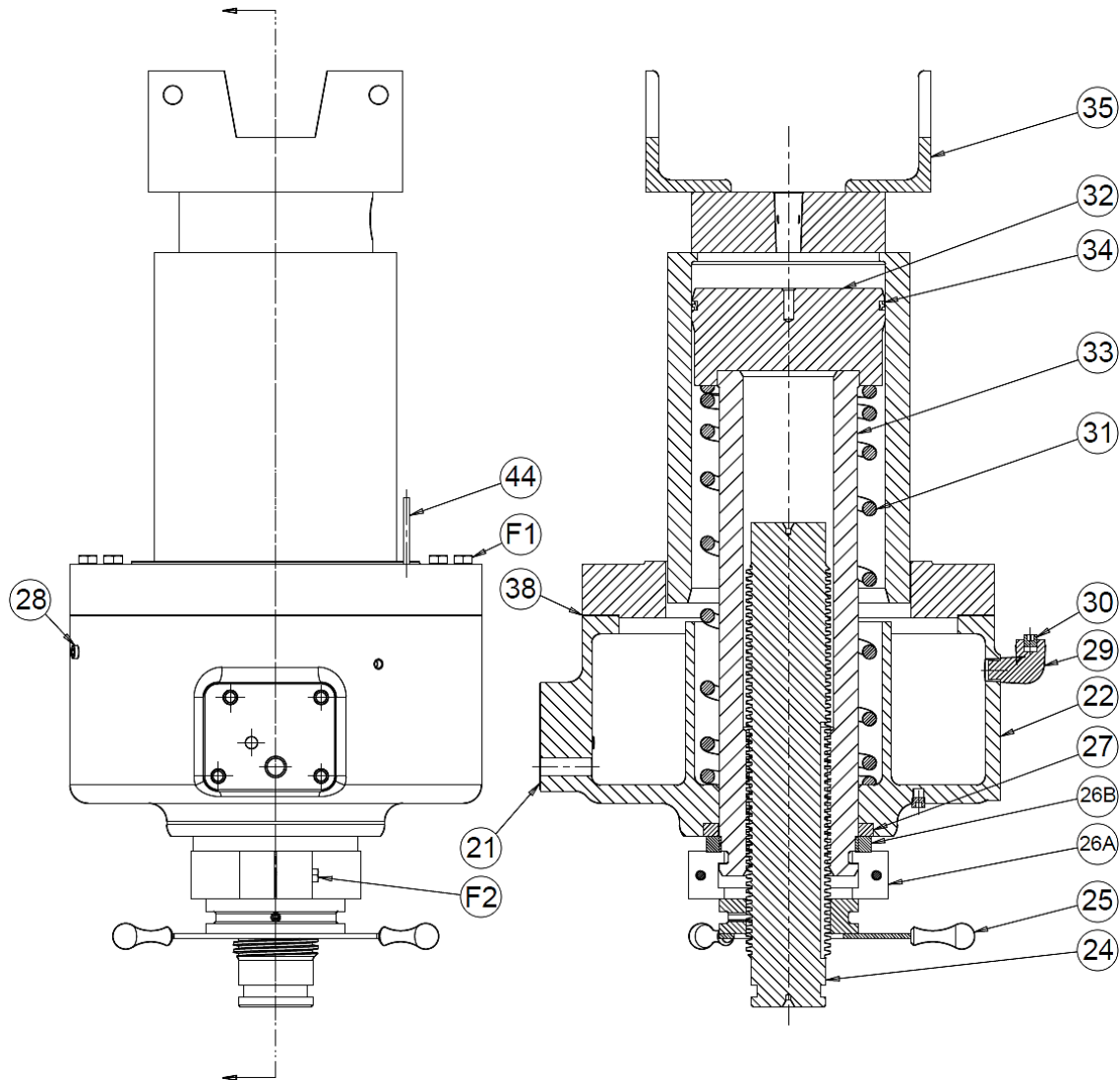
HANDPUMP ASSEMBLY



| Item No. | Part Name | Part No. | Qty |
|----------|---------------------------------------|----------|-----|
| 1 | Pump Body | 546 | 1 |
| 2 | Ball Valve (Ø1/2") | 586 | 3 |
| 3 | Hex Cap Screw (1/4"-20 x 1/2" Nylock) | 28297 | 1 |
| 4 | Washer (#12 Flat) | 43629 | 1 |
| 5 | Pump Plunger Leather | 599 | 1 |
| 6 | Check Valve Spring | 579 | 1 |
| 7 | Tube Fitting | 71413 | 1 |
| 8 | Pump Packing | 573 | 7 |
| 9 | Pump Packing Nut | 551A | 1 |
| 10 | Handle Socket | 550 | 1 |
| 11 | Handle Socket Link | 555 | 1 |

| Item No. | Part Name | Part No. | Qty |
|----------|--|----------|-----|
| 12 | Retaining Ring (3/8") | 43972 | 6 |
| 13 | Pump Plunger | 554 | 1 |
| 14 | Handle Socket Pin | 594 | 3 |
| 15 | Valve Rod | 1129 | 1 |
| 16 | Valve Rod Packing Nut | 576 | 1 |
| 17 | Valve Rod Packing | 987 | 8 |
| 18 | Pipe Plug (3/8") | 588 | 1 |
| 19 | Set Screw (3/8"-16 x 5/8") | 43589 | 1 |
| 20 | Pump Gasket | 591 | 1 |
| | Hand Pump Complete Assembly | 700887 | - |
| | Repair Kit- Cylinder & Hand Pump Assembly (Items: 5, 8, 17, 20, 26B, 27, 34, 38) | 701293 | - |

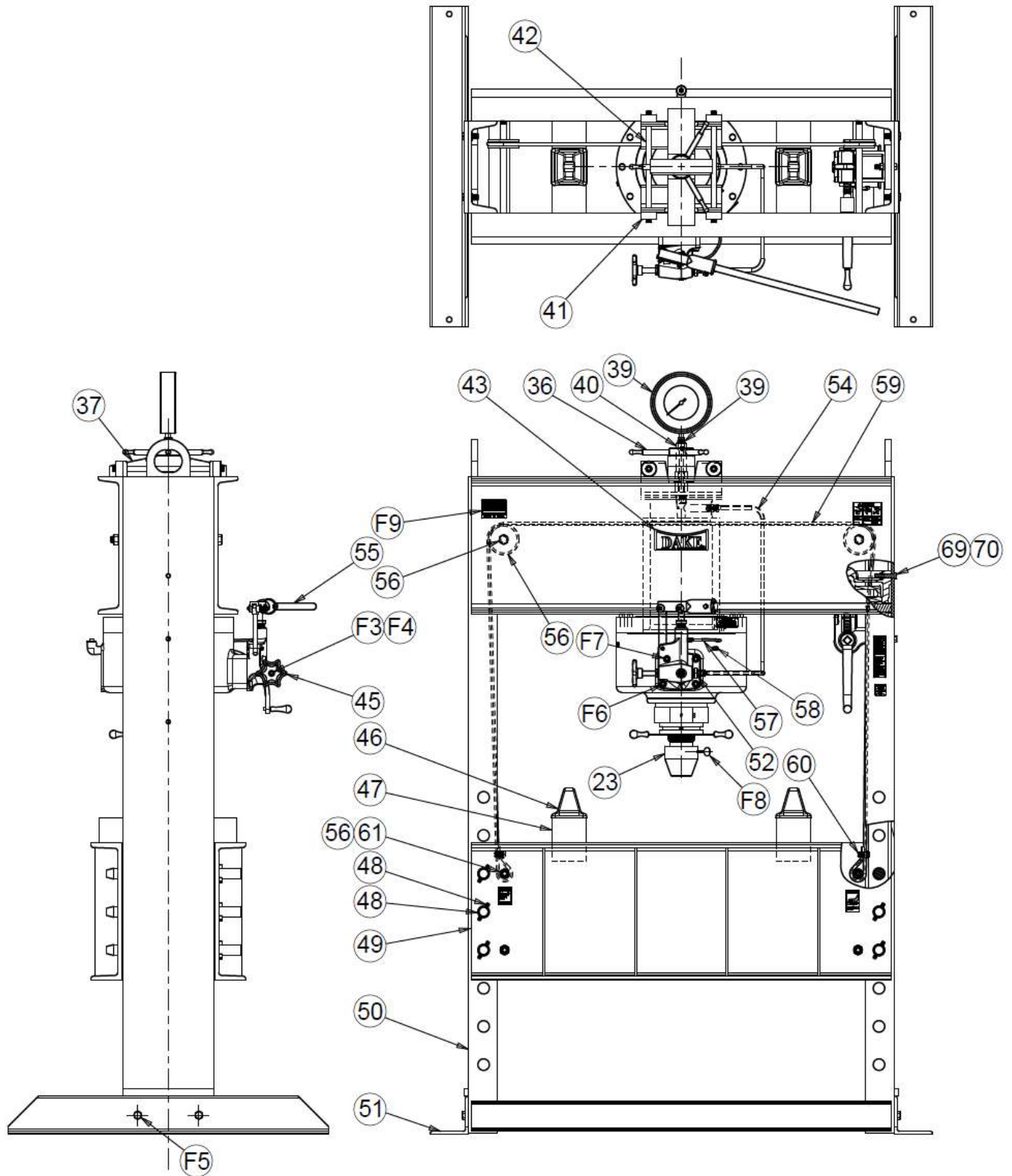
WORKHEAD ASSEMBLY



| Item No. | Part Name | Part No. | Qty |
|----------|---------------------------------------|----------|-----|
| 21 | Pump Gasket | 591 | 1 |
| 22 | Reservoir | 1532 | 1 |
| 24 | Screw | 2024 | 1 |
| 25 | Handwheel | 701760 | 1 |
| 26A | Clamp Ring Assembly | 1557 | 1 |
| 26B | Piston Bumper | 1574 | 1 |
| 27 | Oil Seal | 1578 | 1 |
| 28 | Pipe Plug (1/4" NPTF) | 1567 | 1 |
| 29 | Elbow Pipe Plug (3/4") | 1740 | 1 |
| 30 | Pipe Plug (3/4" NPTF) | 1745 | 1 |
| 31 | Ram Spring | 1537 | 1 |
| 32 & 33 | Piston Assembly (Serial No. < 192522) | 701803 | 1 |
| | Piston Assembly (Serial No. > 192523) | 716222 | 1 |

| Item No. | Part Name | Part No. | Qty |
|----------|---|----------|-----|
| 34 | Piston Leather (Serial No. < 192522) | 1538 | 1 |
| | Packing Ring (Serial No. > 192523) | 37052 | 1 |
| 35 | Cylinder | 1528 | 1 |
| 38 | Cylinder Gasket | 1577 | 1 |
| 44 | Air Vent Tube | 632 | |
| F1 | Hex Cap Screw (1/2"-13 x 3") | 43355 | 6 |
| F2 | Hex Cap Screw (3/8"-16 x 3") | 43337 | 2 |
| | Repair Kit – Cylinder & Hand Pump Assembly (Items: 5, 8, 17, 20, 26B, 27, 34, 38) | 701293 | - |

GENERAL ASSEMBLY

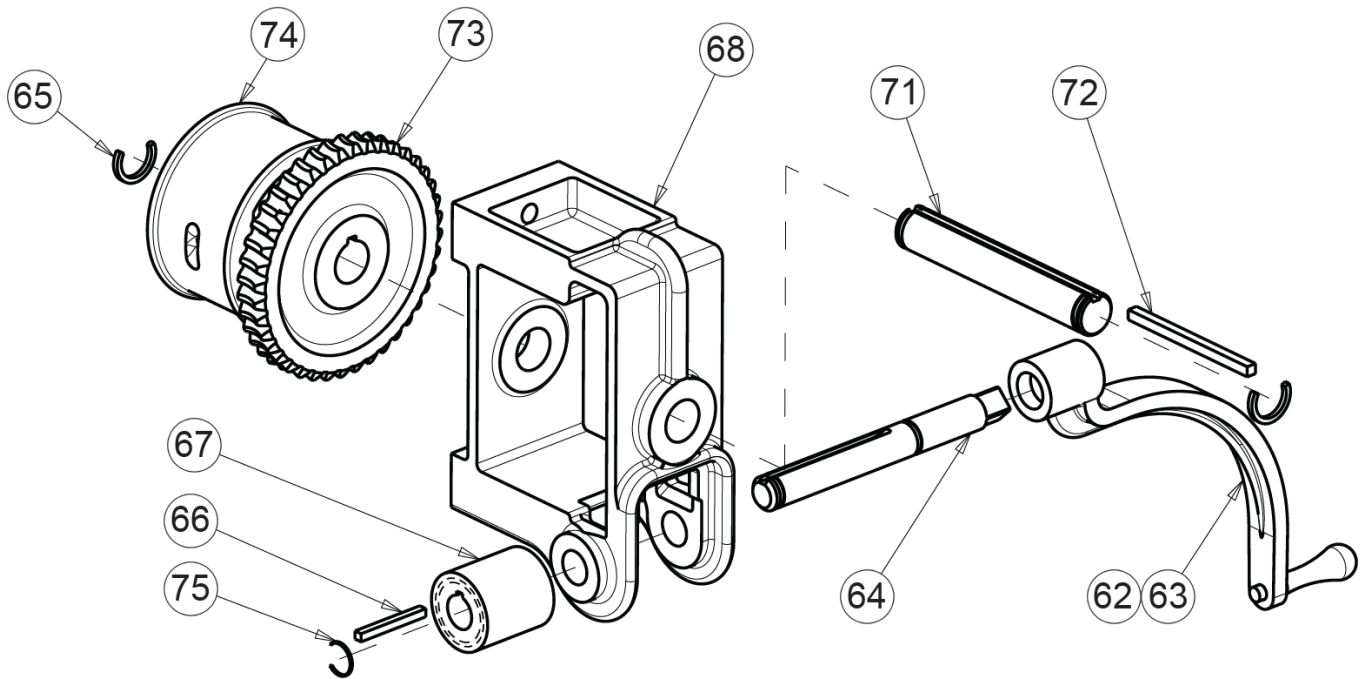


GENERAL ASSEMBLY PARTS LIST

| Item No. | Part Name | Part No. | Qty |
|----------|-----------------------|----------|-----|
| 23 | Screw Nose – Flat | 1560 | 1 |
| | Screw Nose – V-ram | 1575 | 1 |
| 36 | Screw Adjusting Wheel | 716521 | 1 |
| 37 | Yoke | 1569 | 1 |
| 39 | Gauge | 71268 | 1 |
| | Bushing | 81384 | 1 |
| 40 | Gauge Extension | 628 | 1 |
| 41 | Roller | 1568 | 4 |
| 42 | Roller Shaft | 1570 | 2 |
| | Retaining Ring | 43978 | 4 |
| 43 | Dake Name Plate | 81002 | 1 |
| 45 | Handwheel | 10631 | 1 |
| 46 | V-Block | 1576 | 2 |
| 47 | Table Plate | 1534 | 2 |
| 48 | Table Pins | 7205 | 6 |
| | Roll Pins | 77271 | 6 |
| 48A | Safety Pins | 302816 | 6 |
| 49 | Table Channel | 701032 | 2 |
| 50 | Frame | 701030 | 1 |
| 51 | Base Angle | 1551 | 2 |
| 52 | 3/8" NPT 37° Fitting | 1251 | 2 |
| 53 | Fitting Nut | 46614 | 2 |
| | Fitting Sleeve | 51454 | 2 |

| Item No. | Part Name | Part No. | Qty |
|----------|-------------------------------------|----------|-----|
| 54 | Tube Assembly (53 & 54) | 700203 | 1 |
| 55 | Handle | 2022 | 1 |
| 56 | Pulley | 1563 | 2 |
| | Pulley Bolt | 43720 | 2 |
| | Pulley Nut | 43919 | 2 |
| 57 | Vent Tube | 67761 | 1 |
| 58 | 1/8" NPT Fitting | 71413 | 2 |
| 59 | Cable (19') | 1562 | 1 |
| 60 | Cable Clamp | 583 | 4 |
| 61 | Table Spacer | 1553 | 4 |
| F3 | Flat Washer (1/4") | 43631 | 1 |
| F4 | Screw (1/4"-20 x 1/2") | 43301 | 1 |
| F5 | Screw (5/8"-11 x 3/4") | 43365 | 4 |
| | Lock Washer (5/8") | 43648 | 4 |
| | Hex Nut (3/8"-16) | 43912 | 4 |
| F6 | Socket Cap Screw (1/2"-13 x 1-1/4") | 43470 | 3 |
| F7 | Socket Cap Screw (1/2"-13 x 2-1/2") | 24561 | 1 |
| F8 | Thumb Screw (3/8"-16 x 1-1/2") | 43625 | 1 |
| F9 | Label – Made in USA | 76936 | 1 |

TABLE HOIST ASSEMBLY



| Item No. | Part Name | Part No. | Qty | Item No. | Part Name | Part No. | Qty |
|---|---------------------|----------|-----|----------|--|----------|-----|
| 62 | Hand Crank Assembly | 701653 | 1 | 70 | Hex Nut (1/2"-13) Not Shown | 43916 | 1 |
| 63 | | | | 71 | Drum Shaft | 741 | 1 |
| 64 | Worm Shaft | 742 | 1 | 72 | Drum Key | 745 | 1 |
| 65 | Retaining Ring | 43983 | 2 | 73 | Worm Gear | 743 | 1 |
| 66 | Worm Key | 746 | 1 | 74 | Cable Drum | 740 | 1 |
| 67 | Worm | 744 | 1 | 75 | Retaining Ring | 43982 | 1 |
| 68 | Hoist Frame | 739 | 1 | 69 | Hex Cap Screw (1/2"-13 x 2-1/2") Not Shown | 43353 | 1 |
| Complete Table Hoist Assembly - Includes Crank | | | | | | 700111 | - |

Please contact factory for current prices.

ORDERING INFORMATION

Parts are available for direct purchase from Dake or through a distributor. When placing a parts order, you will need to provide the part number, name of part, and model number. All parts shipped F.O.B. Factory in Grand Haven, MI.